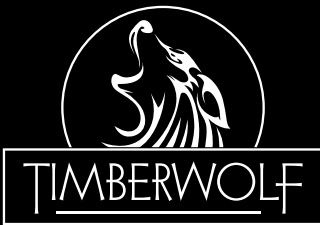


This wood appliance needs periodic inspection and repair. It is against United States federal regulations to operate this wood appliance in a manner inconsistent with the operating instructions in this manual.



INSTALLATION AND OPERATION MANUAL

TI3-1 Series
(TI3T-1 illustrated)

INSTALLER:

Leave this manual with the appliance.

CONSUMER:

Retain this manual for future reference.

SAFETY INFORMATION

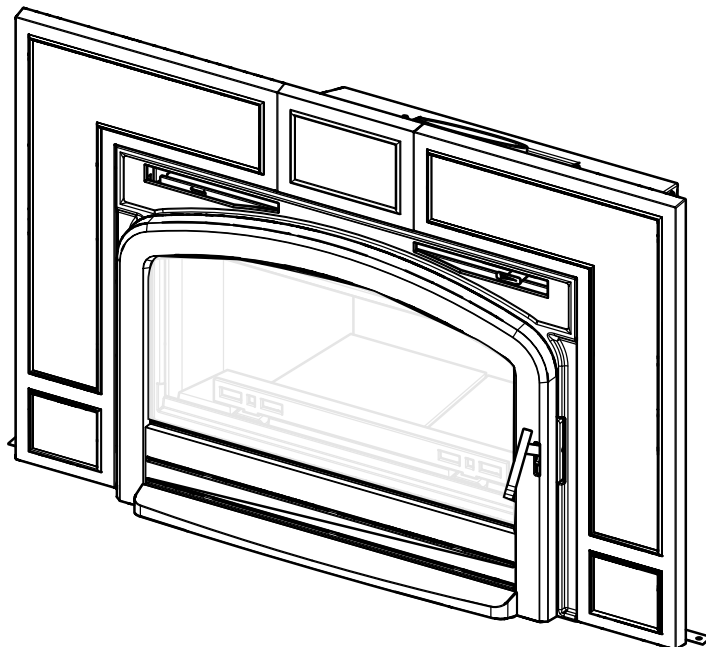
! WARNING

If the information in these instructions are not followed exactly, a fire or explosion may result causing property damage, personal injury or death. Please read the entire manual before you install and use your appliance. This heater has not been tested with an unvented gas log set. To reduce risk of fire or injury, do not install an unvented gas log set into the heater.

- This heater can be very hot when burning.
- Combustible materials such as firewood, wet clothing, etc. placed too close can catch fire.
- Children and pets must be kept from touching the heater when it is hot.
- The chimney must be sound and free of cracks. Before installing this appliance, contact the local building or fire authority and follow their guidelines.
- Operate only with the doors tightly closed.
- Burn wood behind the log retainer directly on the firebricks.
- Do not use an elevated grate or otherwise raise the fire.
- This appliance is designed to burn natural wood only. Higher efficiencies and lower emissions generally result when burning air dried seasoned hardwoods, as compared to softwoods or to green or freshly cut hardwoods.
- Do not start a fire with chemicals or fluids such as gasoline, engine oil, etc.
- Do not burn trash or garbage, lawn clippings/waste, rubber, waste petroleum products, paints or paint thinners/solvents, plastic, materials containing asbestos, construction debris, railroad ties or treated wood, manure or animal remains, salt water driftwood or salted materials, unseasoned wood, coal, charcoal, coloured paper, cardboard, plywood or particleboard. Burning these materials may result in release of toxic fumes or render the appliance ineffective and cause smoke.
- Do not let the appliance become hot enough for any part to glow red.

Wood Stoves ONLY

- At least 14 squares inches (90.3 square centimeters) of outside air must be admitted to the room or directly to the appliance through a 4" (101.6mm) diameter pipe.
- KEEP THE STOVE TOP TEMPERATURE BELOW 700°F (371°C). Attempts to achieve heat output rates that exceed design specifications can result in steel distortion and damage.



FOR INDOOR USE ONLY

U.S. ENVIRONMENTAL PROTECTION AGENCY (E.P.A.) CERTIFIED TO COMPLY WITH 2020 PARTICULATE EMISSION STANDARDS USING CORD WOOD. THIS APPLIANCE HAS BEEN TESTED BY SERVICES POLYTESTS LTD. AND LISTED BY CSA GROUP TO STANDARDS: ULC-S628 AND UL 1482. METHODS ALT-125 AS REFERENCED INTO 40 CFR PART 60 SUBPART AAA. REFERENCE NUMBER: 161746



Wolf Steel Ltd., 24 Napoleon Rd., Barrie, ON, L4M 0G8 Canada / 103 Miller Drive, Crittenden, Kentucky, USA, 41030
Phone 1 (866) 820-8686 • www.timberwolffireplaces.com • ask@timberwolffireplaces.com

! WARNING

- This appliance is hot when operated and can cause severe burns if contacted.
- Any changes or alterations to this appliance or its controls can be dangerous and is prohibited.
- Do not operate appliance before reading and understanding operating instructions. Failure to operate appliance according to operating instructions could cause fire or injury.
- Before installing this appliance, contact the local building or fire authority and follow their guidelines.
- This appliance must be installed by a qualified installer. Never try to repair or replace any part of the appliance unless instructions are given in this manual. All other work should be done by a trained technician.
- Risk of burns. The appliance should be turned off and cooled before servicing.
- Do not operate without fully assembling all components. Do not install damaged, incomplete or substitute components.
- Do not let the appliance become hot enough for any part to glow red.
- Risk of cuts and abrasions. Wear protective gloves, footwear and safety glasses during installation. Sheet metal edges may be sharp.
- All wiring should be done by a qualified electrician and shall be in compliance with local codes. In the absence of local codes, use the current CSA22.1 Canadian Electric Code in Canada or the current National Electric Code ANSI/NFPA No. 70 in the United States.
- If equipped, burning your appliance with the ash dump door ajar creates a fire hazard that may result in discoloration to the door, internal damage to the appliance or a house and/or chimney fire.
- Do not connect this appliance to a chimney flue serving another appliance.
- Clothing or other flammable material should not be placed on or near the appliance. Objects placed in front of the appliance must be kept a minimum of 48" (121.9cm) away from the front face of the appliance.
- Due to high temperatures, the appliance should be located out of traffic and away from furniture and draperies.
- Even after the appliance is off, it will remain hot for an extended period of time.
- Any safety screen or guard removed for servicing must be replaced prior to operating the appliance.
- Under no circumstances should this appliance be modified.
- This appliance must not be connected to a chimney flue pipe servicing a separate solid fuel burning appliance.
- Do not operate the appliance with the glass door removed, cracked or broken. Replacement of the glass should be done by a licensed or qualified service person.
- Do not strike or slam shut the appliance glass door.
- Only doors / optional fronts certified with the appliance are to be installed on the appliance.
- If the appliance is not properly installed, a house fire may result. Do not expose the appliance to the elements (ex. rain, etc.) and keep the appliance dry at all times. Wet insulation will produce an odour when the appliance is used.
- The chimney must be sound and free of cracks. Clean your chimney a minimum of twice a year and as required.
- Children and adults should be alerted to the hazards of high surface temperature and should stay away to avoid burns or clothing ignition.
- Young children should be carefully supervised when they are in the same room as the appliance. Toddlers, young children and others may be susceptible to accidental contact burns. A physical barrier is recommended if there are at risk individuals in the house. To restrict access to an appliance or stove, install an adjustable safety gate to keep toddlers, young children and other at risk individuals out of the room and away from hot surfaces.
- Ensure you have incorporated adequate safety measures to protect infants/toddlers from touching hot surfaces.
- Check with your local hearth specialty dealer for safety screens and hearth guards to protect children from hot surfaces. These screens and guards must be fastened to the floor.
- Keep the packaging material out of reach of children and dispose of the material in a safe manner. As with all plastic bags, these are not toys and should be kept away from children and infants.
- Do not start a fire with chemicals or fluids such as gasoline, engine oil, etc.



! WARNING

- Your appliance requires periodic maintenance and cleaning. Failure to maintain your appliance may lead to smoke spillage in your home.
- Ashes must be disposed in a metal container with a tight lid and placed on a non-combustible surface well away from the home or structure until completely cool.
- Ensure clearances to combustibles are maintained when building a mantel or shelves above the appliance. Elevated temperatures on the wall or in the air above the appliance can cause melting, discolouration or damage to decorations, a TV or other electronic components.

! WARNING: This product can expose you to chemicals including lead and lead compounds, which are known to the State of California to cause cancer, and chemicals including carbon monoxide, which are known to the State of California to cause birth defects or other reproductive harm. For more information, go to www.P65Warnings.ca.gov.

For wood appliances:

- Lower emissions generally result when burning air dried seasoned hardwoods, as compared to softwoods or too green or freshly cut hardwoods. Burning wet unseasoned wood can cause excessive creosote accumulation. When this is ignited it can cause a chimney fire that may result in a serious house fire.
- This appliance is designed to burn natural wood only. Do not burn trash or garbage, lawn clippings / waste, rubber, waste petroleum products, paints or paint thinners / solvents, plastic, materials containing asbestos, construction debris, railroad ties or treated wood, manure or animal remains, salt water driftwood or salted materials, unseasoned wood, coal, charcoal, coloured paper, gift wrapping, cardboard, plywood or particleboard. Burning these materials may result in release of toxic fumes or render the appliance ineffective and cause smoke.
- Burn wood directly on the firebricks. Do not elevate grate or otherwise raise the fire.
- Do not store wood within appliance installation clearances or within the space required for re-fueling and ash removal.
- If equipped, the catalyst must be installed and in good working order. It is recommended that the catalyst is inspected at least three times per heating season.

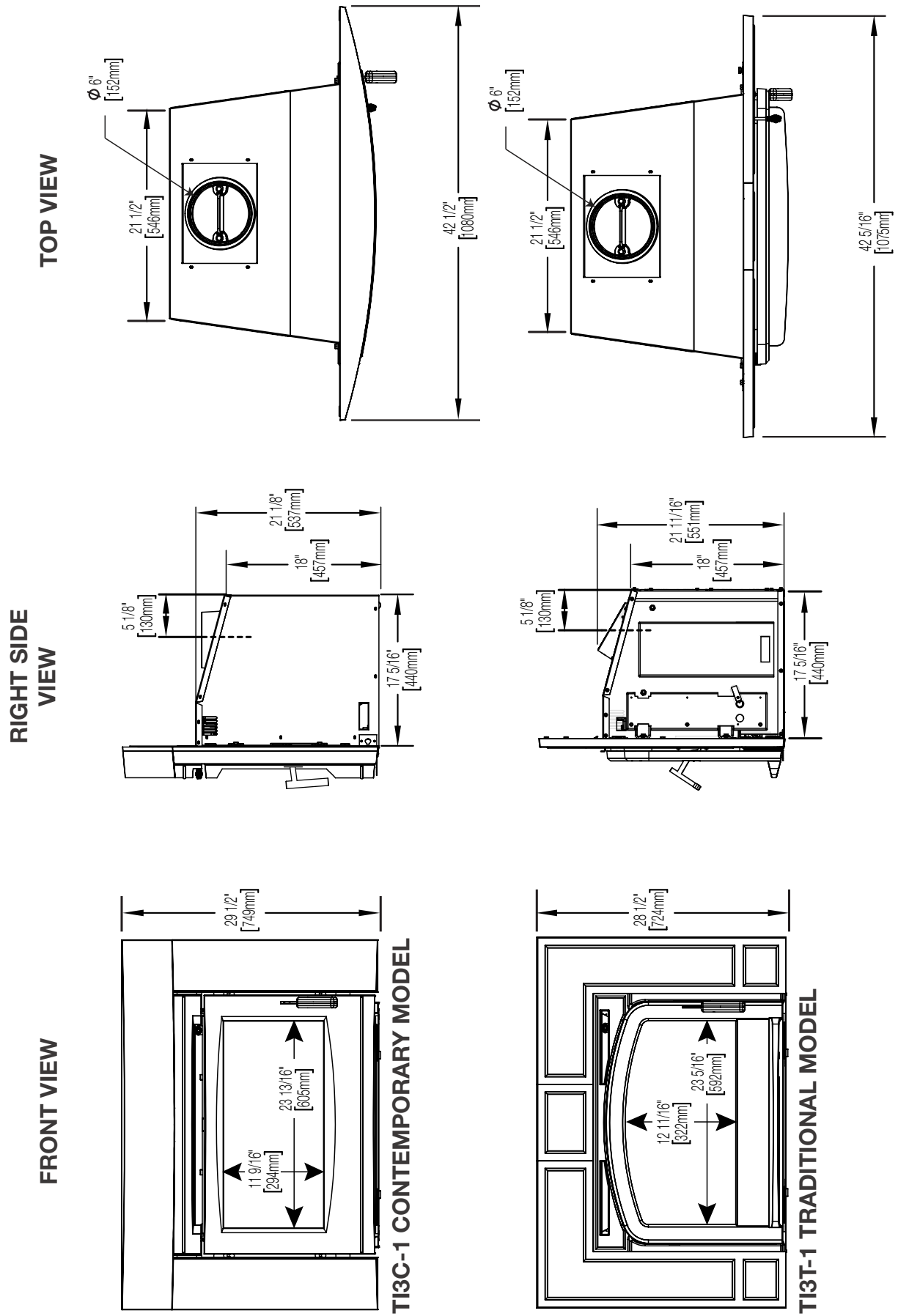
table of contents

1.0	general information	5	6.0	maintenance	25
1.1	dimensions (complete with cast surround)	5	6.1	ash removal procedures	25
1.2	specifications	6	6.2	creosote formation and removal	26
1.3	general instructions	6	6.3	runaway or chimney fire	26
1.4	general information	7	6.4	chimney cleaning	26
1.5	rating plate information	8	6.5	door removal	27
2.0	pre-installation preparation	9	6.6	door hinge replacement / adjustment (TI3C-1)	28
2.1	minimum clearance to combustibles	9	6.7	door hinge replacement / adjustment (TI3T-1)	30
2.2	hearth extension / floor protection	10	6.8	latch block mechanism replacement	32
3.0	installation	11	6.9	door glass replacement	33
3.1	typical existing masonry	12	6.10	care of glass	34
3.2	installing the TI3-1	13	6.11	care of plated parts	34
3.3	factory built fireplace	14	6.12	blower service or replacement	35
4.0	finishing	15	6.13	wood	36
4.1	secondary air tubes	15	7.0	replacement parts	37
4.2	bricks and baffle installation	16	7.1	TI3C-1 overview	38
4.3	surround installation, traditional cast	17	7.2	TI3C-1 door assembly	39
4.4	surround installation, contemporary cast	18	7.3	TI3T-1 overview	40
5.0	operation	19	7.4	TI3T-1 door assembly	41
5.1	optimum burn method	20	7.5	TI3C-1/ T-1 blower assembly	42
5.2	optional fan operation	20	8.0	troubleshooting	43
5.3	air control	21	9.0	warranty	44
5.4	fire extinguishers / smoke & carbon monoxide detectors	21	10.0	notes	45
5.5	fuel	22			
5.6	lighting a fire	22			
5.6.1	flash fire	22			
5.6.2	extended fire	23			
5.7	smoking	23			
5.8	blower operation	24			

note:

The information throughout this manual is believed to be correct at the time of printing. Wolf Steel Ltd. reserves the right to change or modify any information within this manual at any time without notice. Changes, other than editorial, are denoted by a vertical line in the margin.

1.1 dimensions (complete with cast surround)



general information

1.2 specifications

Emissions	1.21 g/hr		
Efficiency	Overall	LHV	HHV
	71.60%	77.07%	71.63%
Viewing area (Contemporary model)	273.7 sq. in (1765.8 sq. cm)		
Viewing area (Traditional model)	278 sq. in. (1793.5 sq. cm)		
Chamber (D.W.H)	13 3/4" x 20 7/8" x 11 1/2" (349.3mm) x (530.3mm) x (292.1mm)		
Capacity	1.8 ft ³ (0.05 m ³)		
Approx. area heated**	1500 ft ² (139.4 m ²)		
Maximum heat output***	55,000 BTU/Hr		
Heat output*	14,492 - 47,887 BTU/Hr		
Duration low fire**	8 Hours		
Weight complete	400 lbs (181.4 kg)		
Weight of bricks	80 lbs (36.3 kg)		
Weight without cast surround (complete with door) and bricks	250 lbs (113.4 kg)		
Minimum stack height ****	15 feet (5.4m)		
Efficiency standard	B415.1-10		

* As tested using test method ALT-125

** Figures will vary considerably with individual conditions.

*** Wolf Steel Ltd. estimated realistic BTU/hr with cordwood logs and regular refueling.

**** Required in order to achieve proper draft.

1.3 general instructions

- Before beginning your installation, consult with your local building code agency or fire officials and insurance representative to ensure compliance.
- Non-toxic smoke will be emitted during the paint curing process to help dissipate the smoke open a window near the appliance.
- Remove any dust or debris off the top of the appliance before firing the appliance as the paint will become soft as the appliance heats up and will harden as the appliance cures. To cure the paint on your appliance, burn your appliance moderately hot during the first few fires.
- To keep the gasket from sticking to the appliance as the paint is curing, periodically open the door every 5-10 minutes.
- For the first two weeks, use generous amounts of fuel and burn the appliance with the damper wide open for an hour as the appliance goes through a process of eliminating moisture in the steel and firebricks. The initial heat output will be reduced while the moisture is being drawn from the appliance and it will be necessary to build several hot fires to remove this moisture.
- **DURING THIS PROCESS DO NOT OVERFIRE THE APPLIANCE. REDUCE THE AMOUNT OF AIR COMING INTO THE APPLIANCE IF THE APPLIANCE OR CHIMNEY BECOMES RED.**

1.4 general information

This appliance was specifically designed to meet the U.S. EPA 2020 particulate emission standards and has been extensively tested in Canadian laboratories to be efficient, simple, and trouble free.

The appliance uses clean-burning technology found in all Timberwolf EPA certified stoves equipped with a heat circulating blower. External modifications have been made to allow its installation as a “functional insert” with a heat circulating blower system, as well as a means of enclosing the solid fuel burning fireplace cavity for greater heating efficiency.

The appliance must only be installed into a solid fuel burning fireplace that is at least 18” (45.7cm) deep, 27” (68.6cm) wide, and 22” (55.9cm) high with an approved lined chimney at least 15’ (4.6m) high and a hearth at least 18” (45.7cm) wide for Canada and 16” (40.6cm) wide for USA. This minimum recess can only be achieved if the opening height is sufficient enough to allow the connector to fit under the non-combustible facing. The appliance and chimney must be constructed in accordance with all national and local building code standards.

The chimney vent system used on this wood burning appliance should be designed with the least amount of restriction possible to enable the flow of exhaust products. Chimney vent systems that are too short or too long can also have an adverse affect on the flow of exhaust.

The wood burning appliance and chimney vent system require a sufficient supply of combustion air, not only to support the combustion in the combustion chamber, but to replace the outbound exhaust.

Secondary air from the side intake openings travels up to the secondary air housing, and then to the manifold located across the top. Finally, it flows out laterally to oxidize the gases below the smoke exit.

The combustion chamber is lined with high temperature refractory firebricks on the sides, back, and bottom. A fibre baffle on top helps maintain a high temperature in the combustion chamber so that gases mixing with the preheated air from the secondary air manifold tubes are easily ignited and burned.

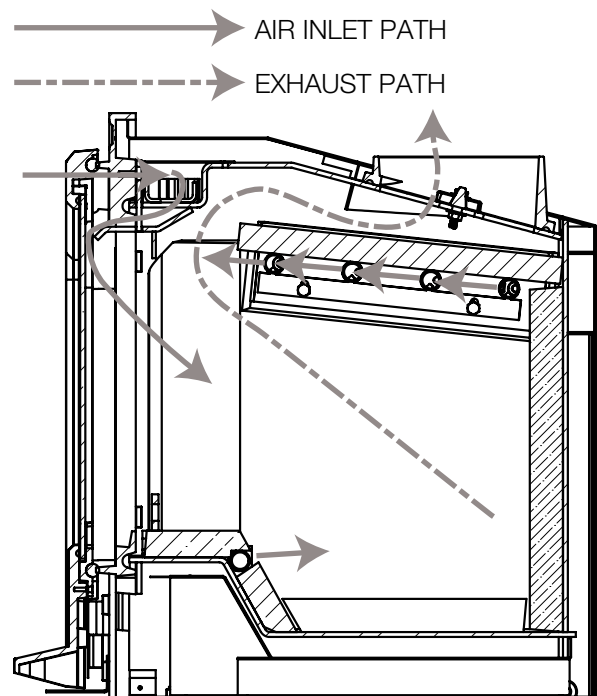
There are many other appliances in the home competing with the appliance for air, such as kitchen range hoods, forced air heating devices, and bathroom exhaust fans. Therefore, in order to avoid fire hazards and/or injuries, be sure to provide sufficient combustion air to the appliance.


Expansion / contraction noises during heating up and cooling down cycles are normal and to be expected.

After extended periods of non-operation (i.e. vacation, warm weather season, etc.), the appliance may emit a slight odour for a few hours as a result of dust particles in the firebox burning off. If this happens, open a window to sufficiently ventilate the room.

Model TI3-1 meets the 2020 U.S. Environmental Protection Agency (E.P.A.) particulate emission standards using cordwood, 40 CFR Part 60, Subpart AAA. This appliance has been tested by Services PolyTests Inc. and listed by CSA Group to standards: ULC-S628, UL1482.


If the appliance begins smoking, open a door or window, or supply the appliance with combustion air in some other way.





NATIONAL FIREPLACE INSTITUTE
NFI
CERTIFIED
www.nficertified.org


We suggest that our woodburning hearth products be installed and serviced by professionals who are certified in the U.S. by the National Fireplace Institute® (NFI) as NFI Woodburning Specialists or who are certified in Canada by Wood Energy Technical Training (WETT).



Wood Energy Technical Training
www.wett.com

general information

1.5 rating plate information



Reference Number:
161746

WOLF STEEL LTD.
24 NAPOLÉON ROAD, BARRIE, ON
L4M 0G8 CANADA

NAC
214 BAYVIEW DRIVE, BARRIE, ON
L4N 4Y8 CANADA

WOLF STEEL USA
103 MILLER DRIVE
CRITTENDEN, KY 41030-7560

NAC GUANGZHOU P.R.C.
NO.69 HEFENG ROAD,
GUANGZHOU, CHINA

EP13 / T13-1, LISTED SOLID FUEL BURNING FIREPLACE INSERT. TESTED TO ULC S628-93 / UL

WARNING: RISK OF SMOKE SPILLAGE. OPERATE ONLY WITH DOOR FULLY CLOSED. REPLACE GLASS ONLY WITH THE CERAMIC GLASS. DO NOT OVERFIRE. IF HEATER OR CHIMNEY CONNECTORS GLOW, YOU ARE OVERFIRING. INSPECT AND CLEAN CHIMNEY FREQUENTLY. UNDER CERTAIN CONDITIONS OF USE, CREOSOTE BUILD UP MAY OCCUR RAPIDLY.

BLOWER KIT: 115V, 60HZ, 1.5AMP. ROUTE CORD AWAY FROM UNIT.

DANGER: RISK OF ELECTRICAL SHOCK. DISCONNECT POWER BEFORE SERVICING UNIT.

CHIMNEY CONNECTOR: 6" (152mm)

DO NOT CONNECT THIS UNIT TO A CHIMNEY FLUE SERVING ANOTHER APPLIANCE.

FUEL: FOR USE WITH SOLID WOOD FUEL ONLY. DO NOT USE GRATE OR ELEVATE FIRE - BUILT WOOD FIRE DIRECTLY ON HEARTH.

INSTALL AND USE ONLY IN ACCORDANCE WITH THE MANUFACTURER'S INSTALLATION AND OPERATION INSTRUCTIONS. INSTALL AND USE ONLY IN MASONRY FIREPLACE OR FACTORY BUILT FIREPLACE. CONTACT LOCAL BUILDING OR FIRE OFFICIALS ABOUT RESTRICTIONS AND INSTALLATION INSPECTION IN YOUR AREA.

HEARTH EXTENSION/FLOOR PROTECTION: MUST BE NON COMBUSTIBLE AND HAVE A MINIMUM THICKNESS OF 0.5" WITH A THERMAL CONDUCTIVITY FACTOR (K) 0.84 AND RESISTANCE VALUE (R) 0.59. This wood appliance needs professional design and proper operation. Consult the owner's manual for further information. It is against United States Federal Regulations to use this wood appliance in a manner not intended by the designer or manufacturer in the product manual.

INSTALLATION: INSTALL ON A NON-COMBUSTIBLE HEARTH RAISED (F) 1.5 IN / 38MM ABOVE AN ADJACENT COMBUSTIBLE FLOOR. COMBUSTIBLE FLOOR MUST BE PROTECTED BY NON-COMBUSTIBLE MATERIAL EXTENDING (E) 16 IN / 406MM (S), 18 IN / 459MM (CAN) TO FRONT AND (G) 8 IN / 205 MM TO SIDES FROM FUEL DOOR. FOR ADDITIONAL MANTEL INFORMATION SEE OWNER'S INSTRUCTION MANUAL.

MINIMUM CLEARANCE TO COMBUSTIBLE:

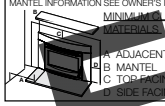
A	ADJACENT SIDEWALL	A) 12"/305mm
B	MANTEL	B) 16"/406mm
C	TOP FINISH	C) 16"/406mm
D	SIDE FINISH	D) 6"/152mm

U.S. ENVIRONMENTAL PROTECTION AGENCY
Certified to comply with 2020 particulate emission standards using cordwood.
40 CFR Part 60, Subpart AAA 1.21 Grams Per Hour / 2020 Cordwood
Overall Efficiency: 71.6% / LHV: 77.07% / HHV: 71.65%

MANUFACTURE DATE:
YEAR: 2019 2020 2021 2022 2023
MONTH: 1 2 3 4 5 6 7 8 9 10 11 12

DATE CODE
EP13 W385-2392 / B

Pour le français, l'étiquette arrière.



U.S. ENVIRONMENTAL PROTECTION AGENCY
Certifié conforme à la norme d'émission de particules de 2020.
40 CFR Part 60, Subpart AAA 1.21 Grammes par heure / Bois de Cordes 2020
Efficacité Totale: 71,6% / LHV: 77,07% / HHV: 71,65%

DATE CODE
EP13 W385-2392 / B



No. de Référence:
161746

WOLF STEEL LTD.
24 NAPOLÉON ROAD, BARRIE, ON
L4M 0G8 CANADA

NAC
214 BAYVIEW DRIVE, BARRIE, ON
L4N 4Y8 CANADA

WOLF STEEL USA
103 MILLER DRIVE
CRITTENDEN, KY 41030-7560

NAC GUANGZHOU P.R.C.
NO.69 HEFENG ROAD,
GUANGZHOU, CHINA

EP13 / T13-1, FOYER ENCASTRÉ À COMBUSTIBLE SOLIDE HOMOLOGUÉ. TESTÉ SELON LES NORMES ULC S628-93 / UL 1482-2011

AVERTISSEMENT: RISQUE D'ÉCHAPPEMENT DE FUMÉE. TENIR LA PORTE FERMÉE LORSQUE LE FOYER FONCTIONNE. EMPLACEMENT LA TÊTE EN HAUT. NE PAS TOUCHER LA SURFACE DE LA PORTE. NE SURCHAUFFEZ PAS L'APPAREIL. SI L'APPAREIL OU LES RACCORDS ROUGEONT, L'APPAREIL SURCHAUFFE. INSPECTEZ ET NETTOYEZ LA CHEMINÉE FREQUENTEMENT. DANS CERTAINES CONDITIONS, DES PHÉNOMÈNES DE CREOSOTE PEUVENT SE FORMER RAPIDEMENT.

SOUFFLERIE: 115V, 60HZ, 1.5AMP. TENEZ LE CORDON ÉLECTRIQUE LOIN DE L'APPAREIL.

DANGER: RISQUE DE SECOUSSE ÉLECTRIQUE. DÉBRANCHEZ AVANT DE PROCÉDER À L'ENTRETIEN.

RACCORD DE CHEMINÉE: 6" (152mm) NE PAS RACCORDER À LA CHEMINÉE D'UN AUTRE APPAREIL.

COMBUSTIBLE: POUR USAGE AVEC LE BOIS CHÊNE ET NE SURÉLÈVEZ PAS SOLIDE SEULEMENT. N'UTILISEZ PAS DE LE BOIS -PRÉPAREZ LE FEU DIRECTEMENT SUR L'ÂTRE.

INSTALLER ET UTILISER SELONS LES INSTRUCTIONS DU FABRICANT. INSTALLER ET UTILISER DANS UN FOYER DE MACONNERIE OU PRÉFABRIQUÉ. APPELER VOTRE INSPECTEUR DE BÂTIMENT OU LE DÉPARTEMENT D'INCENDIE LOCAL POUR LES CODES LOCAUX ET POUR INSPECTER VOTRE INSTALLATION ET FOYER.

BASE DE PROTECTION: DOIT ÊTRE INCOMBUSTIBLE ET AVOIR UNE ÉPAISSEUR MINIMALE DE 0.5" AVEC UN COEFFICIENT DE CONDUCTIVITÉ THERMIQUE (K) DE 0.84 ET UN COEFFICIENT DE RÉSISTANCE THERMIQUE (R) DE 0.59. Ce qui apparaît au bois doit être l'objet d'une inspection et d'un entretien périodiques pour un fonctionnement adéquat. Consultez le manuel d'instructions pour plus d'information. Les règlements fédéraux de l'État-Unis interdisent d'utiliser cet appareil de chauffage d'une manière allant à l'encontre des instructions de fonctionnement contenues dans ce manuel.

INSTALLATION: INSTALLER SUR UN ÂTRE DE MATÉRIAU INCOMBUSTIBLE SURÉLEVÉ (F) 1.5 POUCES / 38MM DESSUS DU PLANCHER COMBUSTIBLE ADJACENT. LE PLANCHER COMBUSTIBLE DOIT ÊTRE PROTÉGÉ PAR LE MATÉRIAU INCOMBUSTIBLE OU ÉTENDRE (E) 16 IN / 406MM (ÉTATS-UNIS) 18 IN / 457MM (CAN) EN AVANT ET (G) 8 IN / 203MM LA CÔTE DE LA PORTE. POUR DE PLUS AMPLES RENSEIGNEMENTS SUR LE MANTEAU, CONSULTEZ LE MANUEL D'INSTRUCTIONS.

DÉGAGEMENTS AUX MATÉRIEAUX COMBUSTIBLES:

A	CÔTÉ	A) 12"/305mm
B	DESSUS	B) 16"/406mm
C	TABLETTE	C) 16"/406mm
D	MUR LATÉRAL	D) 6"/152mm

U.S. Environmental Protection Agency
Certifié conforme à la norme d'émission de particules de 2020.
40 CFR Part 60, Subpart AAA 1.21 Grammes par heure / Bois de Cordes 2020
Efficacité Totale: 71,6% / LHV: 77,07% / HHV: 71,65%

MANUFACTURE DATE:
YEAR: 2019 2020 2021 2022 2023
MONTH: 1 2 3 4 5 6 7 8 9 10 11 12

DATE CODE
EP13 W385-2392 / B

Pour le français, l'étiquette arrière.



U.S. Environmental Protection Agency
Certifié conforme à la norme d'émission de particules de 2020.
40 CFR Part 60, Subpart AAA 1.21 Grammes par heure / Bois de Cordes 2020
Efficacité Totale: 71,6% / LHV: 77,07% / HHV: 71,65%

DATE CODE
EP13 W385-2392 / B

CAUTION:
HOT WHILE IN OPERATION. DO NOT TOUCH.
KEEP CHILDREN AND CLOTHING AND FURNITURE AWAY. CONTACT MAY CAUSE SKIN BURNS.

ATTENTION:
QUAND L'APPAREIL FONCTIONNE, LA SURFACE DEVIENT CHAUDE. NE PAS TOUCHER. TENIR LES ENFANTS, LES VÊTEMENTS ET LES MEUBLES À L'ÉCART. LE CONTACT PEUT CAUSER DES BRÛLURES À LA PEAU.

This illustration is for reference only. Refer to the rating plate on the appliance for accurate information. For the French, remove the rating plate, flip it over, and re-attach.

note:

The rating plate must remain with the appliance at all times. It must not be removed.

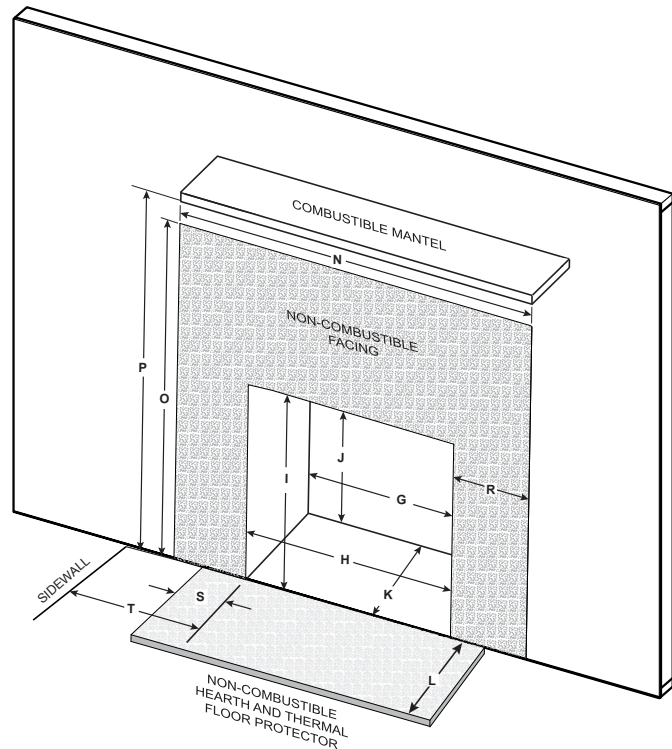
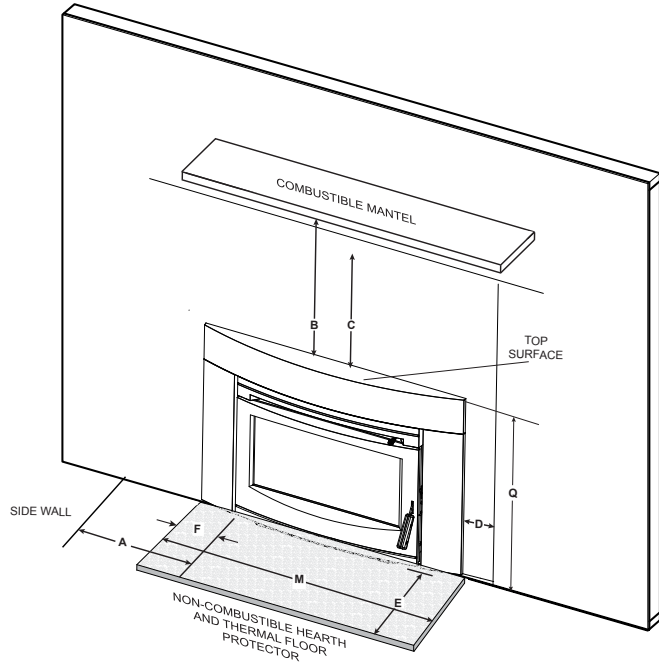
2.0 pre-installation preparation EN

Clean all ashes from the inside of the existing appliance opening. Ensure the chimney and appliance are free of cracks, loose mortar, creosote deposits, blockages, or other signs of deterioration. If necessary, have repair work done by a qualified professional before installing the appliance.

Do NOT remove bricks or mortar from the appliance. In case of an outside air inlet or ash dump, fill with fiberglass insulation. Adhere to minimum clearances as illustrated.

2.1 minimum clearance to combustibles

MINIMUM CLEARANCES		
A	Sidewall	12" (30.5cm)
B	Mantel	16" (40.6cm) 12" (30.5cm) Projection
C	Top facing	16" (40.6cm)
D	Side facing	6" (152mm)
E	Hearth (front)	Canada 18" (45.7cm) USA 16" (40.6cm)
F	Hearth (side)	8" (203mm)
MINIMUM APPLIANCE OPENING		
G	Width (rear)	23" (58.4cm)
H	Width (front)	28" (71.1cm)
I	Height (front)	22" (55.9cm)
J	Height (rear)	19" (48.3cm)
K	Depth	18" (45.7cm)
L	Hearth depth	Canada 22" (55.8cm) USA 20" (50.8cm)
M	Hearth width	46" (116.8cm)
N	Facing width	54 1/2" (138.4cm)
O	Facing height	Contemporary 45 1/2" (115.5cm) Traditional 44 1/2" (113 cm)
P	Mantel	Contemporary 45 1/2" (115.5cm) Traditional 44 1/2" (113cm)
Q	Height of top surface	Contemporary 29 1/2" (74.9cm) Traditional 28 1/2" (72.3cm)
R	Side facing	13 1/4" (33.6cm)
S	Hearth (side)	9" (22.8cm)
T	Sidewall	13" (33cm)



pre-installation preparation

2.2 hearth extension / floor protection

Hearth extensions / floor protection must be made of non-combustible materials. They must meet the following specifications:

- Minimum extension to the front of the insert:
 - Canada: 18" (45.7cm)
 - USA: 16" (40.6cm)
- Minimum 8" (203mm) extension to the sides of the insert
- Minimum 0.5" (13mm) thickness
- Minimum (K*) 0.84 thermal conductivity factor; and
- Minimum (R*) 0.59 resistance value

* See chart below for more information.

CONVERTING MATERIAL SPECIFICATIONS TO R OR K VALUES

R = Thickness / K-Value

K = Thickness / R-Value

COMMON K and R VALUES CHART		
MATERIAL	K-VALUE	R-VALUE
	Per inch	Per inch
Micore 300	0.43	2.33
Wonderboard (cement board)	1.92	0.52
Common Brick	5.00	0.20
Cement Mortar	5.00	0.20
Ceramic Tile	12.50	0.08
Marble	11.00	0.09
Air Space (ventilated)	0.70	1.43
Sand and Gravel	1.70	0.59
Drywall (gypsum)	1.00	1.00
Rockwool or Fiberglass Batts	0.30	3.33

With K values, the lower value is a better insulator. With R values, the higher number is better.

K-Value Example:

A wood stove may call for thermal protection which has a K factor of 1 or less. A product such as Micore 300 Board from USG has a K-Value of approximately .43 per inch.

Therefore, a 1/2" (12.7mm) thickness of this board would have a K-Value of .86, which meets the requirement of our example stove.

R-Value Example:

This appliance calls for thermal protection with an R-Value of 0.59. This same board above is rated as having an R-Value of 2.33 for a 1" (25.4mm) thickness. Therefore, 1/2" (12.7mm) of the Micore 300 Board would have a R-value of 1.165, which meets the specifications for this appliance.

! WARNING

- Wear gloves, protective footwear and safety glasses for protection.
- Carefully follow the instructions for assembly of the pipe and other parts needed to install the appliance. Failure to do so may result in a fire, especially if combustibles are too close to the appliance or chimney and air spacers are blocked, preventing the free movement of cooling air.
- Do not draw outside air from garage spaces. Exhaust products of gasoline engines are hazardous. Do not install outside air ducts such that the air may be drawn from attic spaces, basements or above the roofing where other heating appliances or fans and chimneys exhaust or utilize air. These precautions will reduce the possibility of appliance smoking or air flow reversal. The outside air inlet must remain clear of leaves, debris, ice and/or snow. It must be unrestricted while appliance is in use to prevent room air starvation which can cause smoke spillage and an inability to maintain a fire. Smoke spillage can also set off smoke alarms.
- Negative pressure within your home may inadvertently affect your appliance.
- To prevent contact with sagging or loose insulation, the appliance must not be installed against vapour barriers or exposed insulation. Localized overheating could occur and a fire could result.
- Do not use makeshift compromises during installation. Do not block or restrict air, grille or louver openings. Do not add a hood.
- To prevent personal injury, keep hand tools in good condition, sharpen cutting edges and make sure tool handles are secure.
- Always maintain the minimum air space required in the enclosure to prevent fires.
- Check with local building officials for any permits required for installation of this appliance and notify your insurance company prior to proceeding.

It is extremely important that this appliance be installed according to the manufacturer's specifications, as well as local and national codes.

In Canada, the installation codes are:

- CSA B365 and
- CSA C22

In USA, the installation codes are:

- ANSI NFPA 70 and
- ANSI NFPA 211

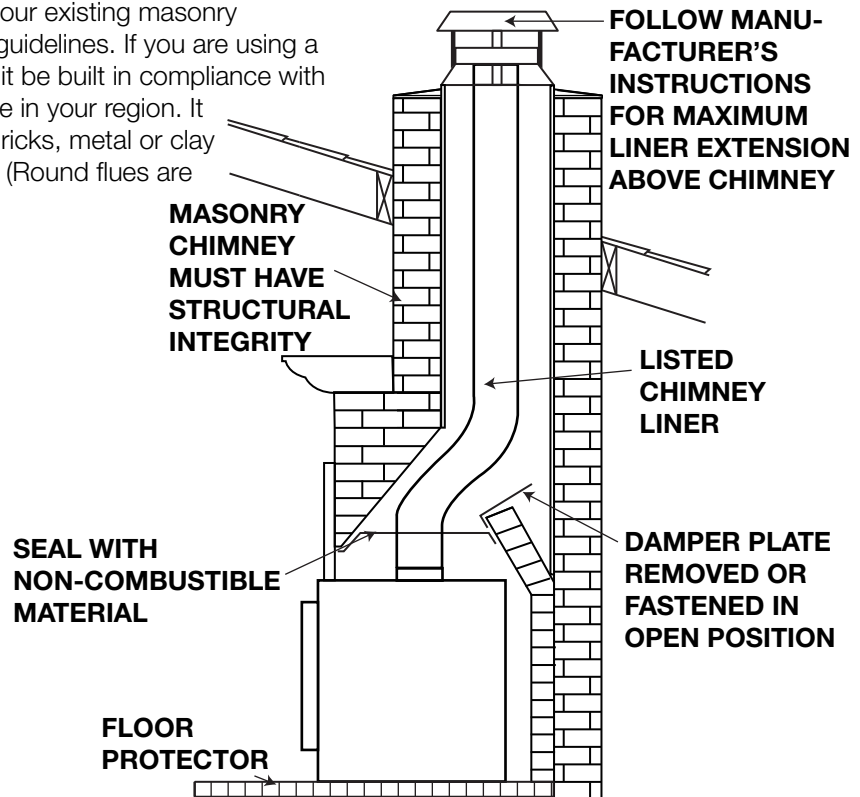
note:

Before beginning installation, ensure chimney and liner are in good condition. They must be kept clean.

installation

3.1 typical existing masonry

You can install your appliance using your existing masonry chimney. To do so, use the following guidelines. If you are using a masonry chimney, it is important that it be built in compliance with the specifications of the Building Code in your region. It must normally be lined with fire clay bricks, metal or clay tiles sealed together with fire cement. (Round flues are the most efficient).



- A. Remove the fireplace damper or fasten it permanently open.

note:

It is recommended to follow the method of sealing off the damper area around the liner.

- B. Measure the throat of the fireplace and mark this shape on a piece of 24 gauge (0.6mm) sheet metal (flue cover). Cut a 6" (152.4mm) hole to lie directly below the fireplace flue opening. Allow 2" (50.8mm) of material on all sides (to act as flanges) and cut to these measurements. Bend down the flanges.

TIP: If inexperienced in doing this, make and test a cardboard pattern first.

Fasten this flue cover in position as high as possible. Using 2 masonry screws per side, insert them through the flanges into the fireplace.

- C. Permanently seal any openings between the fireplace masonry and the facing masonry.

In Canada: This fireplace insert must be installed with a continuous chimney liner of 6" (152.4mm) diameter extending from the fireplace insert to the top of the chimney. The chimney liner must conform to the Class 3 requirements of CAN/ULC-S635, Standard for Lining Systems for Existing Masonry or Factory-Built Chimneys and Vents, or CAN/ULC-S640, Standard for Lining Systems for New Masonry Chimneys. It must be installed as follows:

- A. Attach a stainless steel liner connector or elbow to the liner, and insert onto the flue collar.
 B. Fasten with 3 screws.
 C. Secure the top of the liner to the chimney cap using a liner support and chimney flashing.
 D. Cap the top of the chimney liner assembly using an approved rain cap.

In USA: Though not required, it is recommended that a chimney liner that is continuous from the insert to the top of the chimney be installed, particularly when the insert is installed in a basement. For this type of connection, use the “In Canada” installation instructions above.

If a continuous liner is not installed, a “direct flue connection” must be made. The direct flue connection requires a non-combustible connector that extends from the insert into the chimney flue liner. The installed flue cover must be sealed below the entry point of the connector to prevent dilution of combustion products in the chimney flue. This room heater must be connected to a code-approved masonry chimney with a flue liner. Cap the top of the chimney using an approved rain cap.

The installation requirements that follow **must** be observed when installing solid fuel burning inserts into factory-built fireplaces.

3.2 installing the TI3-1

A. flue collar orientation

Prior to installation, determine the type of orientation that works best with this appliance.

The flue collar’s orientation can be vertical. It can also be a 30° backwards angle by rotating the flue collar 180° at the top of the appliance.

It is recommended to clean the chimney from the top downwards. This will ensure that the centre bar of the flue collar protects the inside baffle from any damages caused by the chimney brush. However, if cleaning must be done from inside the home, use a reciprocating metal cutting saw or hack saw to cut the centre bar inside the flue collar.

B. installing a venting system

note:

It is recommended that the connector or flue liner be installed before continuing with the installation. See **Figure 1** for venting system components.

1. Remove the front air tube to gain access to the fiber baffle, and then remove the fiber baffle.
2. Remove the iron flue collar from the appliance. Ensure gasket is in place and in good condition.
3. Drill 3 holes into the adapter pipe or flue liner, using the holes in the iron collar as a guide. Secure the adapter pipe (or flue liner) to the flue collar. Ensure the studs on the flue collar are properly aligned to their respective holes on the insert.
4. Repeat Step 3 to secure the flexible pipe to the pipe adaptor.
5. The finished height measurements from the hearth surface to the center bar of the flue collar should be 19” (482.6mm). See **Figure 2** for details on the installation of the connector pipe or liner. This allows for an easy connection once the appliance is in place.

Fig. 1

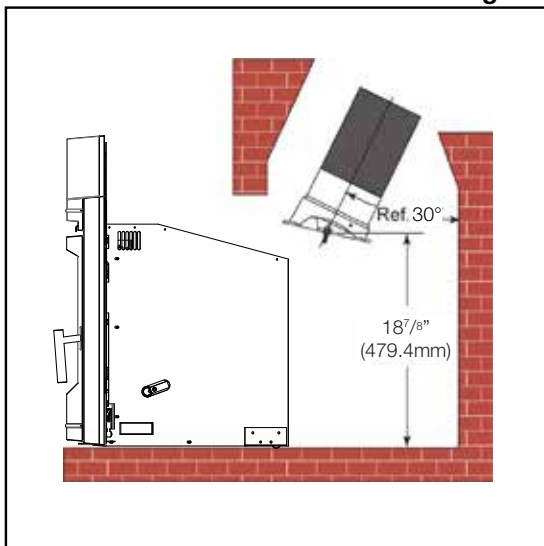
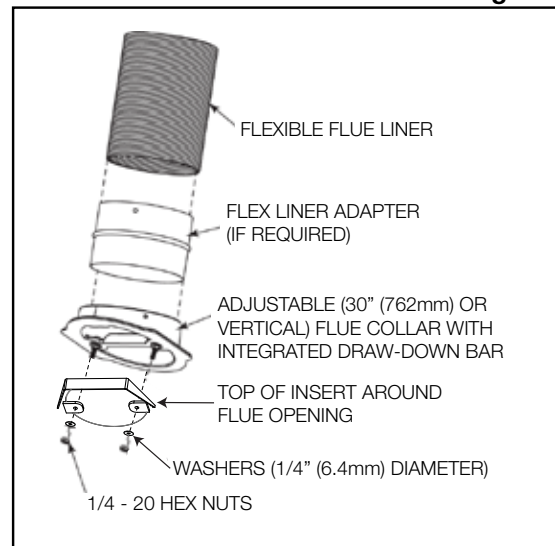


Fig. 2



3.3 factory built fireplace

The following installation requirements must be observed when installing solid fuel burning inserts into factory built fireplaces.

- A. The factory built fireplace must be listed per UL 127 or ULC S610.
- B. Clearances to any combustible material surrounding this insert as identified must be followed. These clearance requirements supersede any pre-existing facing material clearances listed for the factory built fireplace.
- C. Installation must include a full height listed chimney liner meeting HT requirements (2100°F/1149°C) as required in UL 1777 (U.S.) or ULC S635 (Canada). The liner must be securely attached to the insert flue collar and the chimney top.
- D. Means must be provided to prevent room air passage to the chimney cavity of the fireplace. This may be accomplished by sealing the damper area around the chimney liner, or sealing the appliance front.
- E. The air flow within and around the appliance shall not be altered by the installation of the insert (i.e. no louvres or cooling air inlet or outlet ports are blocked), unless specifically tested as such for each factory built fireplace manufacturer and model line.

note:

Using a louvered face plate (surround) complies with this requirement.

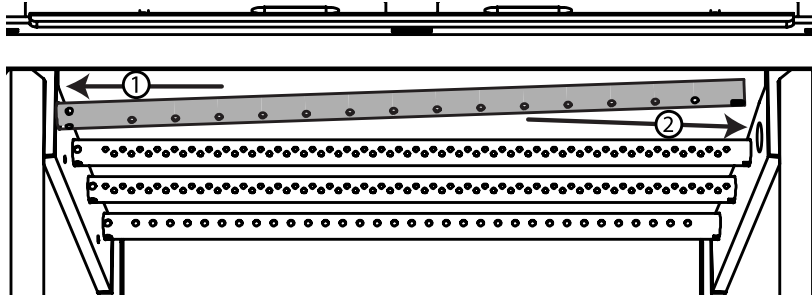
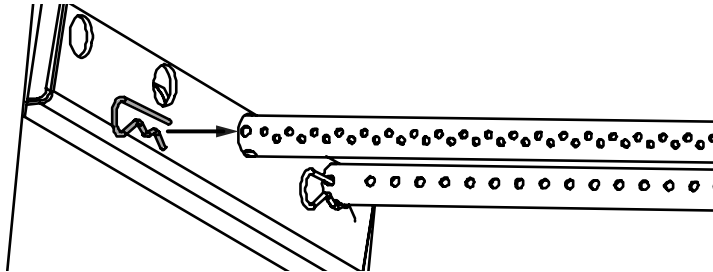
- F. Alteration of the appliance in any manner is not permitted with the following exceptions;
 - A. External trim pieces which do not affect the operation of the appliance may be removed providing they can be stored on or within the fireplace for reassembly if the insert is removed.
 - B. The chimney damper may be removed to install the chimney liner.
- G. Circulating air chambers (i.e. in a steel fireplace liner or metal heat circulator) shall not be blocked.
- H. Means must be provided for removal of the insert to clean the chimney flue.
- I. Inserts that project in front of the fireplace must be supplied with appropriate support means.
- J. A permanent metal warning label must be attached to the back of the fireplace stating that the fireplace must be restored to its original condition for safe use without the insert.

4.1 secondary air tubes

- A. Starting at the back with the shortest tube and working forward, install the secondary air tubes by first inserting the tube into the hole on the left side of the firebox and then into the corresponding hole on the right side. Next, align the notch with tab, and slide the tube all the way to the right (**Fig. 1**).
- B. Insert the cotter pin to secure the tube in place (**Fig. 2**).

note:

It is recommended to leave the front tube out until the fibre baffle has been installed.

Fig. 1**Fig. 2**

4.2 bricks and baffle installation

! WARNING

- Operation of the appliance without the baffles can result in excessive temperatures that could damage the appliance, chimney and the surrounding enclosure.

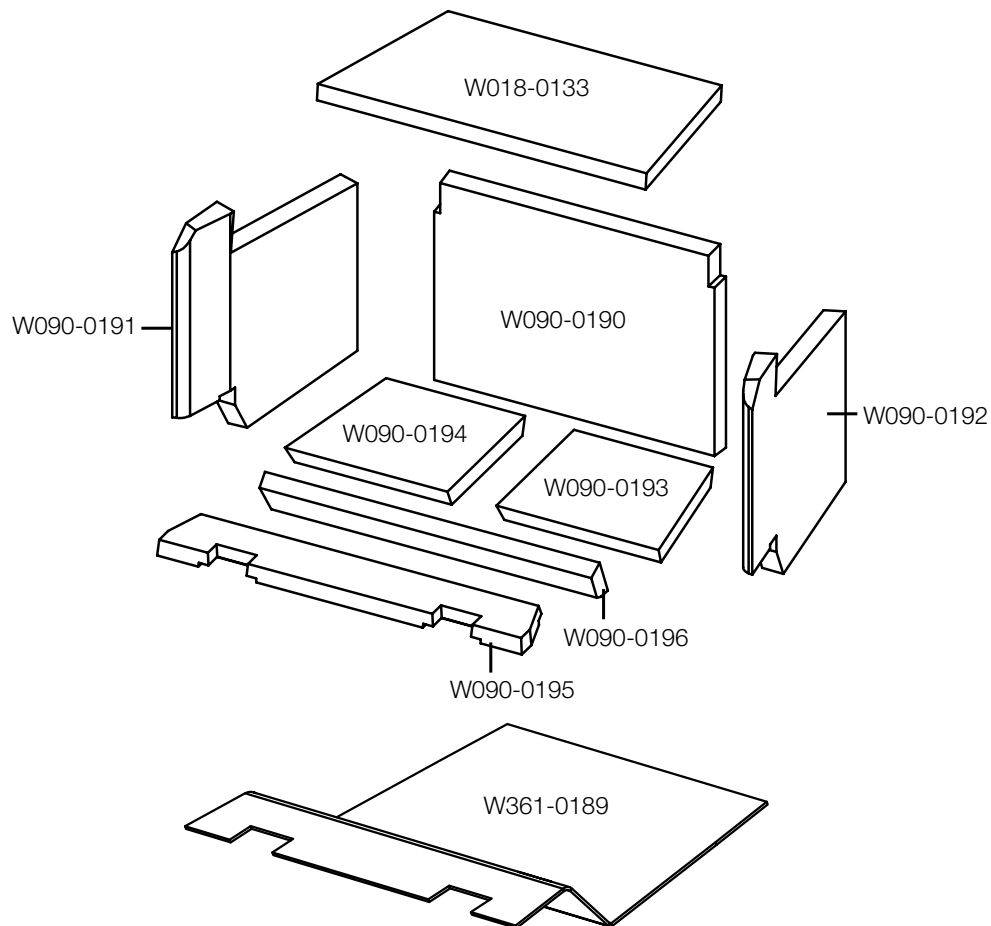
note:

Ensure the firebox insulation (W361-0189) is in good condition before proceeding. Replace if necessary.

- A. Install the 2 side bricks (W090-0191, W090-0192) against the sides of the firebox, secure using the retainers.
- B. Install the back brick (W090-0190) by sliding it under and behind the rear secondary air tubes. Secure with retainers.
- C. Install the 2 bottom bricks (W090-0193, W090-0194).
- D. Slide the front brick (W090-0196) into place in front of the bottom bricks, ensuring the angled edge sits flush with the bottom bricks.
- E. Install the front ledge brick (W090-0195), ensuring the notches line up with the fire grate slots.
- F. Place the baffle (W018-0133) on top of the secondary air tubes and slide it all the way to the rear of the firebox.

note:

Step F may require the front secondary air tube to be removed.

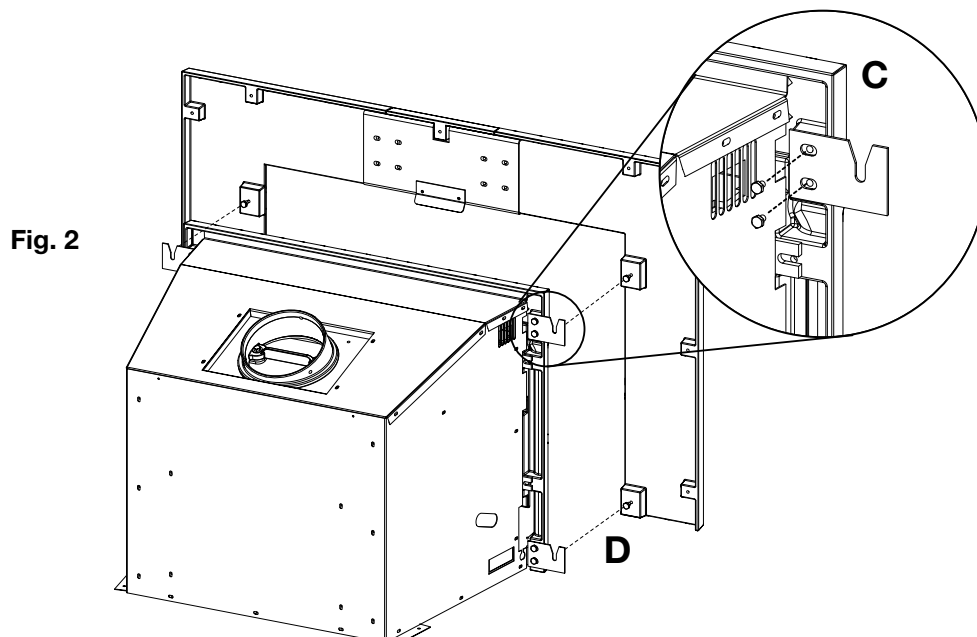
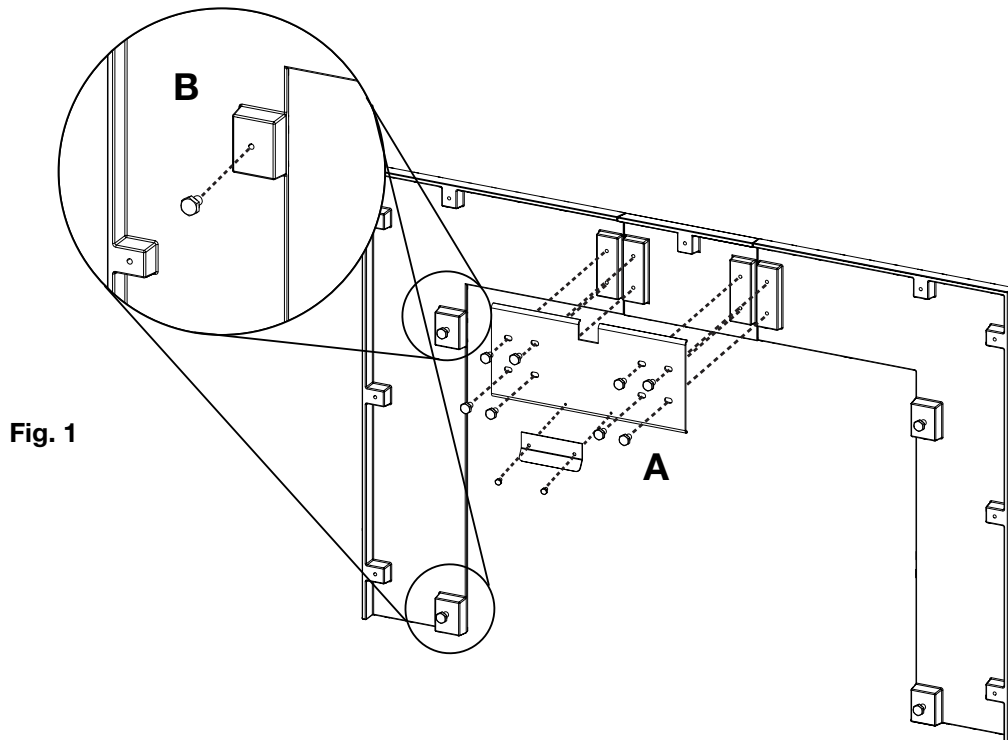


4.3 surround installation, traditional cast

- A. Place the 2 side castings and the centre casting face down on a protected surface and assemble as shown (**Fig. 1**).
- B. Line up the casting holes with the casting bracket holes and secure in place using the screws. Secure the casting support to the casting bracket using the screws (**Fig. 1, A**).
- C. Loosely secure the screws to the holes in the side casting (**Fig 1, B**). Repeat on the other side.
- D. Using screws, secure the 4 retaining brackets in place (**Fig. 2, C**).
- E. Lift the casting, place the screws into the retaining brackets, and tighten fully (**Fig 2, D**).

note:

To ensure the joints are flush, adjustment may be necessary. To adjust the cast components, loosen the screws and then align the casting to desired position.



4.4 surround installation, contemporary cast

- A. Line up the casting holes with the right retaining bracket holes and secure in place using the 1/4-20 hex-head screws. Repeat on the left side, using the left retaining bracket (**Fig. 1, A**).
- B. Thread the 1/4-20 round-head screws approximately half their length into the keyed bracket (**Fig. 1, B**).
- C. Place the casting pieces face down on a protected surface and assemble as shown (**Fig. 2**).
- D. Fasten the securing brackets using the screws (**Fig. 2, C**).
- E. Secure the corner brackets into place on both sides of the casting using the screws (**Fig. 2, D**).
- F. Lift the casting, place the keyed holes onto the 1/4-20 round head screws, and rest the casting into place (**Fig. 2**). Adjust screws as necessary to stabilize.

note:

To ensure the joints are flush, adjustment may be necessary. To adjust the cast components, loosen the screws and then align the casting to desired position.

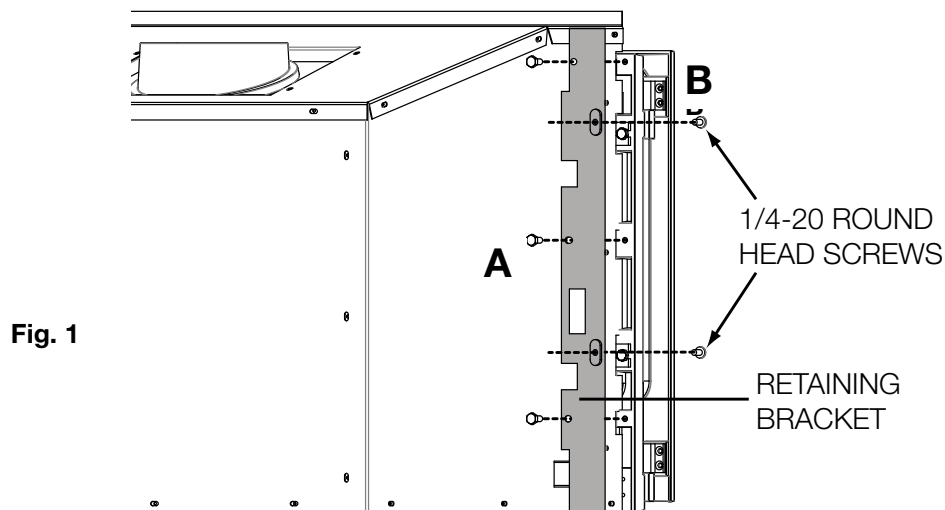


Fig. 1

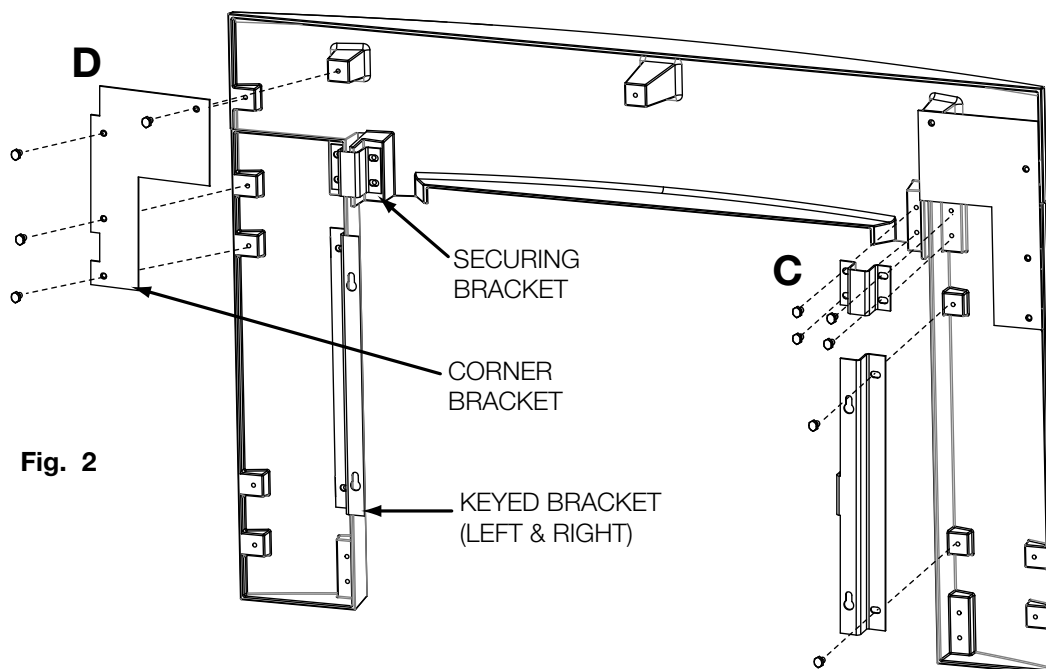


Fig. 2

WARNING

- Always operate this appliance with the door closed and latched except during startup and re-fueling. Always wear gloves to prevent injury. Do not leave the fire unattended when the door is unlatched as unstable wood could fall out of the fire chamber creating a fire hazard to your home.
- Never leave children unattended when there is a fire burning in the appliance.
- Never use gasoline, gasoline-type lantern fuel, kerosene, charcoal lighter fluid, or similar liquids to start or 'freshen up' a fire in this appliance. Keep all such liquids well away from the appliance while it is in use.
- Objects placed in front of the appliance should be kept a minimum of 48" (121.9cm) from the front face.
- Any modification of the appliance that has not been approved in writing by the testing authoring is considered breaching CSA B365 (Canada) and ANSI NFPA 211 (U.S.A.).
- Open air control (and damper when fitted) before opening firing door.
- Hot while in operation. Keep children, clothing, and furniture away. Contact may cause skin burns. Wear gloves to operate your appliance.
- Burning your appliance with the doors open or ajar creates a fire hazard that may result in a house and/or chimney fire.
- This wood appliance has a manufacturer-set minimum low burn rate that must not be altered. It is against federal regulations in the United States to alter this setting or otherwise operate this wood appliance in a manner inconsistent with operating instructions in this manual.

This Timberwolf EPA listed product is designed with the most advanced technology. The appliance is extremely airtight.

note:

The first fire(s) in this appliance will be difficult to get and keep going with minimal heat being generated. This is a result of the moisture being driven out of the firebrick. During the break-in period (i.e. the first 2 or 3 fires), create only small fires using kindling, as this will allow the firebrick to cure.

WARNING: Creating a brisk fire during the break-in period could result in fire hazards, including explosions. Use caution.

Do not be alarmed if small hairline cracks develop in the firebrick. This is a normal occurrence and does not pose a safety hazard. The paint may also emit an odour for the first few fires as a result of the curing process. If this happens, open a window or door to ensure adequate ventilation.

CREATING A BRISK FIRE (AFTER APPLIANCE HAS CURED)

- Place loosely crumpled paper on the bottom of the appliance and cover with dry kindling.
- Open the air control fully by sliding it all the way to the left.
- Light the paper and leave the door slightly ajar (no more than 1" (25.4mm)) until all kindling is burning.

note:

To maintain a brisk fire, a hot coal bed must be established and sustained.

- Slowly add larger pieces of wood (i.e. 2x4" pieces). Lay them lengthwise in the hot coal bed with a shallow trench between, as this will allow air to flow into the trench and ignite the fuel.
- When the fire has reached its peak, begin adding medium-sized logs. When these logs have caught fire, carefully close the door.

note:

Closing the door too quickly after refuelling will reduce the firebox temperature and result in an unsatisfactory burn.

operation

TIP: It is more efficient to burn medium-sized wood briskly and to refuel frequently than to burn large logs and refuel infrequently. Large logs create smouldering, inefficient fires that dirty the glass.

note:

As soon as the door is closed, a change will occur in the flame pattern. The flames will get smaller and lazier because less oxygen is getting into the combustion chamber. The flames, however, are more efficient. The flames will remain lazy but become larger again as soon as the firebricks have been heated thoroughly, and the chimney becomes heated and provides a good draft. At this point, the roaring fire that is visible when the door is opened is wastefully drawing heated room air up the chimney. Always operate with the door fully closed once the medium-sized logs have caught fire. Operating the appliance with the door open for extended periods of time may result in damages to the appliance.

- E. Begin adding larger pieces of wood, as the appliance can operate normally at this point.
- F. The firebox can be safely filled with wood to the top of the door opening if a 1/4" (6.4mm) space to secondary air tubes is maintained.

note:

Once the appliance is entirely hot, it will burn very efficiently with little smoke from the chimney. There will be a bed of orange coals in the firebox and secondary flames flickering just below the top baffles.

Refer to "troubleshooting" section if encountering problems with operation.

5.1 optimum burn method

- A. Maintain a hot, glowing, red coal bed that is 2" (50.8mm) deep.
- B. Burn dry seasoned wood.
 - TIP: To ensure the glass door remains clean, wood should have less than 20% moisture content.**
- C. A minimal trace of smoke coming from the chimney is acceptable when the appliance is burning as intended.
- D. Inspect and replace all necessary components (i.e. gaskets, manifolds, glass, etc.) as they may affect the appliance's overall performance.
- E. Adjust the air control for adequate draft. This will control the burn rate and temperature of the appliance.

Refer to "operation" and "maintenance" sections for detailed information.

5.2 optional fan operation

The following operating procedure is recommended to achieve optimal performance:

When operating on high burn rate:

1. We recommend setting the fan to the "HIGH" setting and operating with a thermodisc (located at the back of the appliance).

When operating on medium burn rate:

2. We do not recommend using the fan.

When operating on low burn rate:

3. We do not recommend using the fan.

5.3 air control

! WARNING

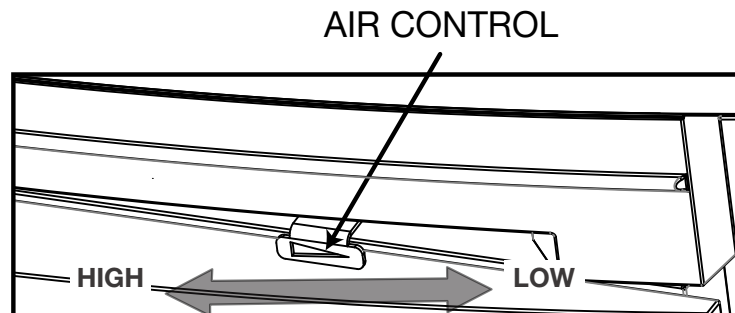
- This wood appliance has a manufacturer-set minimum low burn rate that must not be altered. It is against federal regulations in the United States to alter this setting or otherwise operate this wood appliance in a manner inconsistent with operating instructions in this manual.

Draft is the force which moves air from the firebox up through the chimney. The amount of draft in the chimney depends on the length and diameter of the chimney, local geography, nearby obstructions, etc.

Adjusting the air control all the way to the right reduces the temperature. The draft can be adjusted from low to high by moving the handle from right to left. Inadequate draft may cause back-puffing into the room through the appliance and chimney connector points and may cause plugging of the chimney.

Too much draft may cause the appliance to become too hot. Glowing red appliance parts or chimney connectors, as well as uncontrollable burns, can lead to chimney fires or permanent damage to the appliance.

Do not operate the appliance for longer than 30 minutes with the air control on "HIGH" (fully open).



5.4 fire extinguishers / smoke & carbon monoxide detectors

note:

Always check that smoke and CO detectors are working properly.

All homes with a solid fuel burning appliance should have at least one fire extinguisher in a central location, known to all, at least one smoke detector and carbon monoxide (CO) detector in the room containing the appliance. If the smoke detector sounds an alarm, correct the cause but do not deactivate or relocate the smoke detector. If the carbon monoxide detector sounds an alarm, immediately vent the area, evacuate and call your local fire department.

! WARNING

- Do not store fuel within the clearance to combustibles, or in the space required for re-fueling and ash removal.
- Burning wet, unseasoned wood can cause excessive creosote accumulation. When ignited, it can cause a chimney fire that may result in a serious house fire.

When the appliance is hot, load it to the top of the door opening while maintaining a 1/4" (6.4mm) space to secondary air tubes, and burn at a medium-low setting. The bricks will be nearly all white and the glass mostly clear. The whiteness of the bricks and the cleanliness of the glass are good indicators of operating efficiency. Not enough heat is produced when only 1 or 2 pieces of wood are burned or the wood is not burned completely. A minimum of 3 pieces are needed to create a bed of coals that sustains fire.

note:

When loading the appliance, keep fuel away from the glass. This prevents it from falling out when the door is open, which could cause fire hazards and/or injuries.

Loosely stacked wood burns quicker than a tightly packed load. Wood burns in cycles rather than in a steady state. Therefore, it is best to plan these cycles around household routines to ensure enough coals are left to start the next load. In the evening, load the appliance at least 30 minutes before bed to ensure a fire that is hot enough to close the draft control for an overnight burn.

Burn only dry seasoned wood with less than 20% moisture content. It produces more heat and less soot or creosote. Do not burn ocean beach wood, as its salt content can produce acids that corrode metal. When refueling, open the door slowly to prevent smoke spillage. Use a pair of long gloves when feeding the fire, and keep a small steel shovel nearby to use as a poker and to remove ashes. Do not store the wood within 3 feet (1m) of the appliance.

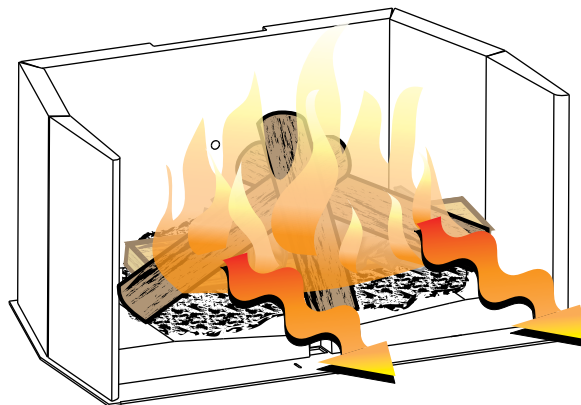
5.6 lighting a fire

note:

During initial startup, appliance may smoke, especially if there is poor draft. To prevent the appliance from smoking, open the door approximately 1 to 2 inches (25mm to 51mm).

5.6.1 flash fire

A flash fire is a small fire burned quickly when you don't need much heat. After your kindling has "caught", load at least 3 pieces of wood, stacked loosely. Burn with the draft control fully open or closed only slightly.



5.6.2 extended fire

Load your larger pieces of wood so they are tightly packed, close enough to prevent the flames from penetrating it completely. After approximately 30 minutes, depending on the size of the load, close the draft control completely making sure that the fire is not extinguished.

DO NOT OVERFIRE THE APPLIANCE!

Overfiring can occur by:

- A.** Burning large amounts of smaller wood pieces such as furniture scraps, skids or treated wood;
- B.** Vigorously burning large loads of wood with the draft control on "HIGH" (fully open) for long periods of time (one or two hours).
- C.** Operating the appliance with the ash dump door blocked open or a poor gasket seal on the main door.

5.7 smoking

A properly installed appliance should not smoke. If yours does, check the following:

- Has the chimney had time to get hot?
- Is the smoke passage blocked anywhere in the appliance, chimney connector or chimney?
- Is the room too airtight and the air intake not connected to the outside? Try with a window partly open.
- Is the smoke flow impeded by too long a horizontal pipe or too many bends?
- Is it a weak draft perhaps caused by a leaky chimney, a cold outside chimney, too large a diameter of a chimney, too short a chimney, or a chimney too close to trees or a higher roof?
- Is the moisture content of the wood greater than 20%?
- If equipped, has the catalyst bypass been closed or closed prematurely?

! WARNING

- Risk of fire and electrical shock.
- Turn off the electrical power before servicing the appliance.
- Use only Wolf Steel approved optional accessories and replacement parts with this appliance. Using non-listed accessories (blowers, doors, louvres, trims, etc.) could result in a safety hazard and will void the warranty and certification.
- Ensure that the blower's power cord is not in contact with any surface of the appliance to prevent electrical shock or fire damage. Do not run the power cord beneath the appliance.

Drywall dust will penetrate into the blower bearings, causing irreparable damage. Care must be taken to prevent drywall dust from coming into contact with the blower or its compartment. Any damage resulting from this condition is not covered by the warranty policy. Use of the blower increases the output of heat.

Keep the blower opening free from ash build-up.

This appliance is equipped with a micro (pressure) switch and thermally-activated switch. The micro switch shuts off the blower when the door is open. This helps prevent smoke from being blown into the room. The blower will only operate when the door is closed and the thermally activated switch reaches the appropriate temperature. This will take approximately 30 to 60 minutes, depending on the intensity of the fire.

HOW TO USE THE BLOWER

1. Open the door and adjust the variable speed switch to desired speed.
2. It is necessary to depress the micro switch when making adjustments to the blower. When closing the door, ensure the blower switch bracket makes proper contact with the micro (pressure) switch. You should hear a "click" sound (see **Fig.1**).

note:

For highest efficiency, do not operate the blower when the air control is set to its lowest setting. Furthermore, operate the blower on a slower speed when the air control is not more than 3/8" (9.5mm) open from its lowest setting, and operate on any speed when air control is on any other setting. When the appliance is cool, vacuum ash out from the blower area, for improved performance and an increased longevity.

note:

This blower has thermal overload protection. For optimal performance operate blower at all times, while the appliance is fired, except when the air control is set to its lowest setting.

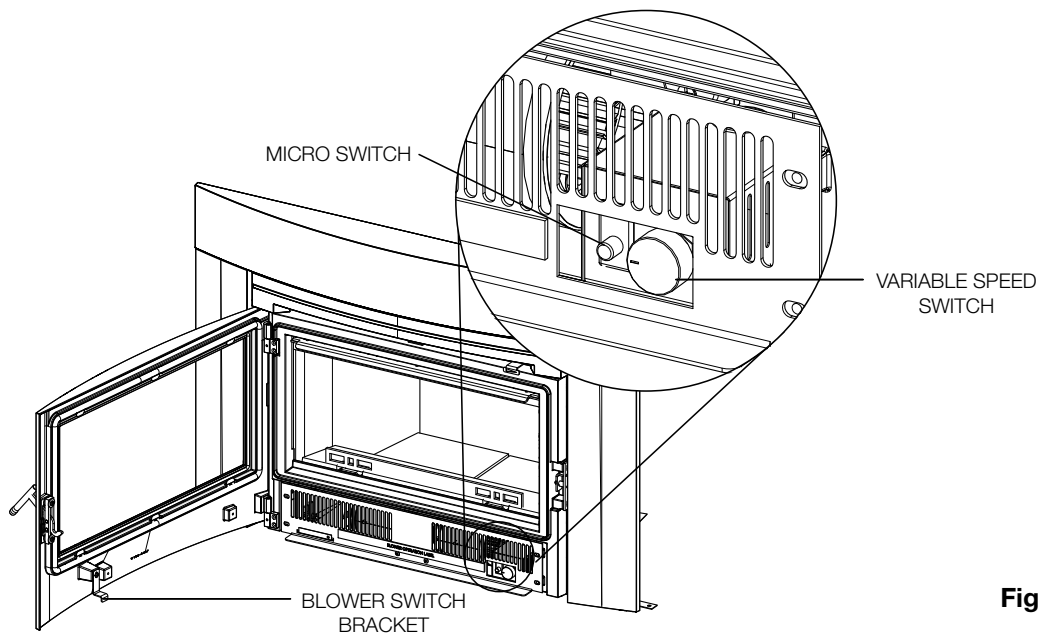


Fig.1

! WARNING

- Turn off the power before servicing the appliance.
- Appliance may be hot. Do not service until appliance has cooled.
- Do not use abrasive cleaners.

Check chimney and chimney connector weekly for creosote and soot buildup until a safe frequency for cleaning is established.

If accumulation is excessive, disconnect the appliance and clean both the chimney and the appliance. It is recommended to call a professional for this. Both chimney and appliance have to be cleaned at least once a year or as often as necessary.

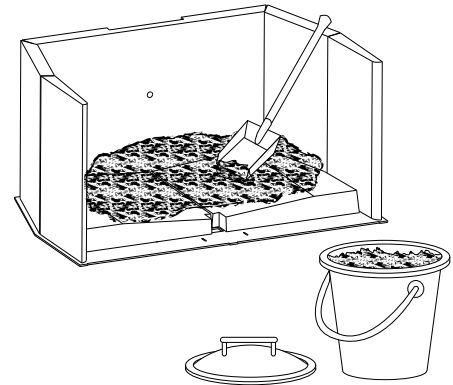
Remove the baffle and clean above it once a year. Replace any broken bricks.

6.1 ash removal procedures**! WARNING**

- Improper disposal of ashese result in fires. Do not discard ashes in cardboard boxes, dump in backyards or store in garages.
- If using a vacuum to clean up ashes, be sure the ashes are entirely cooled. Using a vacuum to clean up warm ashes could cause a fire inside the vacuum.

A bed of ashes approximately 1" (25mm) deep should be left on the firebox bottom to help maintain a hot charcoal bed. When the fire has burned down and cooled, remove any excess ashes. To remove the ash, follow the directions below:

- After the last coal has extinguished, let the appliance cool at least 2 hours.
- Open the appliance doors.
- Scoop the ash from the firebox into a metal container with a lid. Cover the container and move the container away from the appliance onto a suitable surface to ensure the ashes cool.
- Dispose of the ashes.

**note:**

Ashes should be placed in a metal container with a tight-fitting lid. The closed container of ashes should be placed on a non-combustible floor or on the ground, well away from all combustible materials, pending final disposal. If the ashes are disposed of by burial, in soil, or otherwise locally dispersed, they should be retained in the closed container until all cinders have thoroughly cooled.

6.2 creosote formation and removal

When wood is burned slowly, it produces tar and other organic vapors, which combine with expelled moisture to form creosote. The creosote vapors condense in the relatively cooler chimney flue or a slow-burning fire. As a result, creosote residue accumulates on the flue lining. When ignited, this creosote makes an extremely hot fire.

The chimney connector and chimney should be inspected at least once every two months during the heating season to determine if a creosote buildup has occurred.

If creosote has accumulated, it should be removed to reduce the risk of a chimney fire.

6.3 runaway or chimney fire

WARNING

- A chimney fire can permanently damage your chimney system. This damage can only be repaired by replacing the damaged component parts. Chimney fires are not covered by the lifetime limited warranty.

CAUSES:

- Using incorrect fuel, or small fuel pieces which would normally be used as kindling.
- Creosote build up in chimney.
- Leaving the door ajar too long and creating extreme temperatures as the air rushes in the open door.
- If equipped, burning your appliance with the ash plug not securely seated.

SOLUTIONS:

- Do not burn treated, painted, artificial, paper or processed wood logs, coal, charcoal, coloured paper or cardboard.
- Have chimney regularly cleaned.
- Be careful not to over-fire the appliance by leaving the door open too long after initial start-up. A thermometer on the chimney connector and/or appliance top helps to indicate the appliance operating temperature.
- If equipped, always operate the appliance with the ash plug properly installed.

IN CASE OF A CHIMNEY FIRE:

- Close glass door and air control (and damper, when equipped).
- Have a well understood plan for evacuation and a place outside for everyone to meet. Prepare to evacuate to ensure everyone's safety.
- Call local fire department. Have a fire extinguisher handy. Contact local authorities for further information on how to handle a chimney fire.
- After the chimney fire is out, clean and inspect the chimney or chimney liner for stress and cracks prior to lighting another fire. Also check combustibles around the chimney and the roof.

6.4 chimney cleaning

Both the chimney and the appliance must be inspected and cleaned if necessary at least once a year. For serious wood burners, chimney cleaning must be done as needed to avoid chimney fires; the venting systems for controlled combustion appliances may need cleaning as often as once a month. These rates, however, depend on the burning habits of the individual operating the appliance. For example, it is possible to clog a solid fuel appliance chimney in a few days if slow, smoldering fires are burned and the chimney is cold.

note:

Appliances burned consistently without hot fires may result in significant creosote accumulations in the chimney.

Certain items and considerations are important in chimney cleaning:

- Proper tools should be used, including a brush specifically designed for chimney cleaning.
- The chimney connector and dampers as well as the chimney should be cleaned.
- The appliance's firebox and baffle system should be cleaned if needed.
- The chimney should be inspected and repairs made if needed, preferably by a qualified chimney sweep or mason.

6.5 door removal

! WARNING

- Burning your appliance with the doors open or ajar creates a fire hazard that may result in a house and/or chimney fire.
- Do not strike or slam door.
- Never remove the door when the appliance is hot.

To remove door, remove the 2 screws from both top and bottom hinges (**Fig. 1**).

note:

Due to the weight of the door, it is recommended that 2 people perform the door removal.

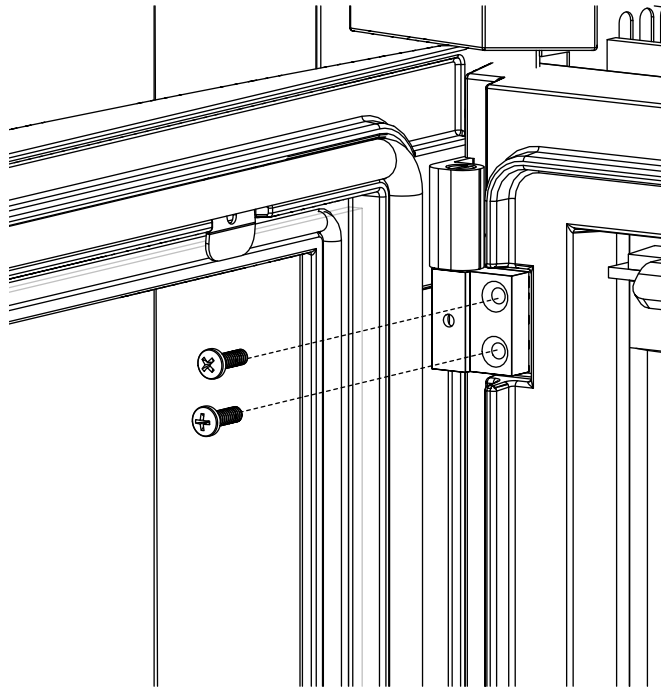


Fig. 1

6.6 door hinge replacement / adjustment (TI3C-1)

SPECIAL TOOLS YOU WILL NEED:

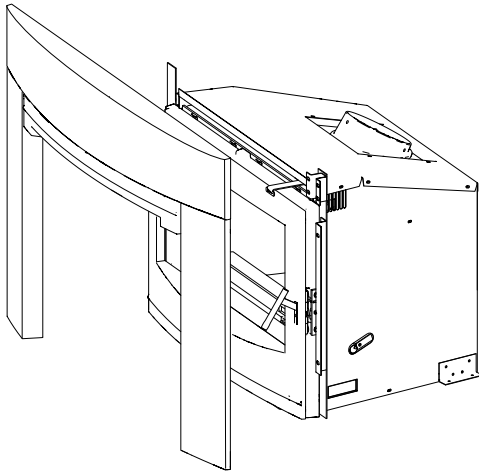
T20 TORX SCREWDRIVER

FLAT HEAD SCREWDRIVER

PHILLIPS SCREWDRIVER

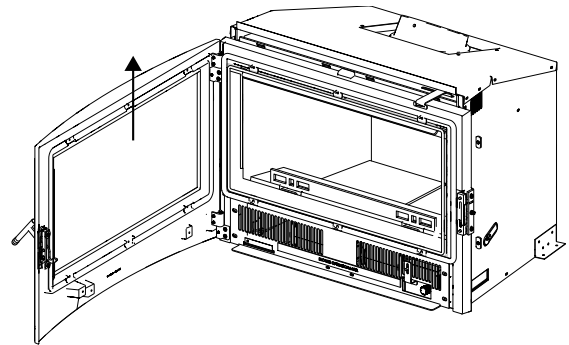
3/32 HEX KEY

1



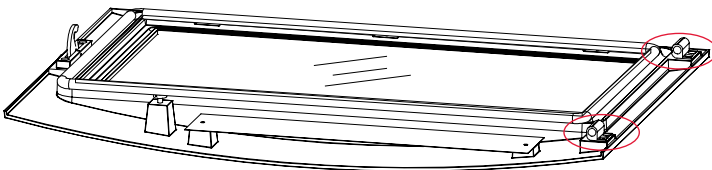
Remove the surround, refer to "surround installation, contemporary cast" installation instructions.

2



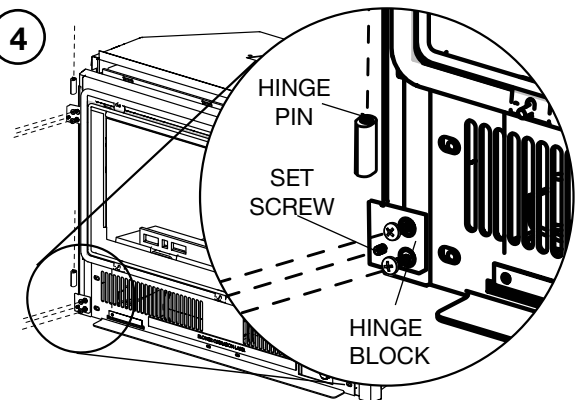
Lift the door off the appliance. Lay the door on a soft non-abrasive surface.

3

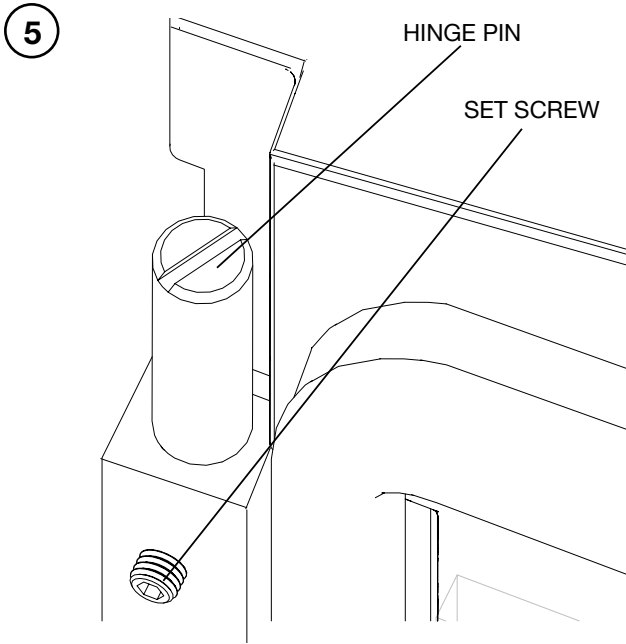


Remove the screws and hinges from the door and discard. Replace with the screws and hinges provided.

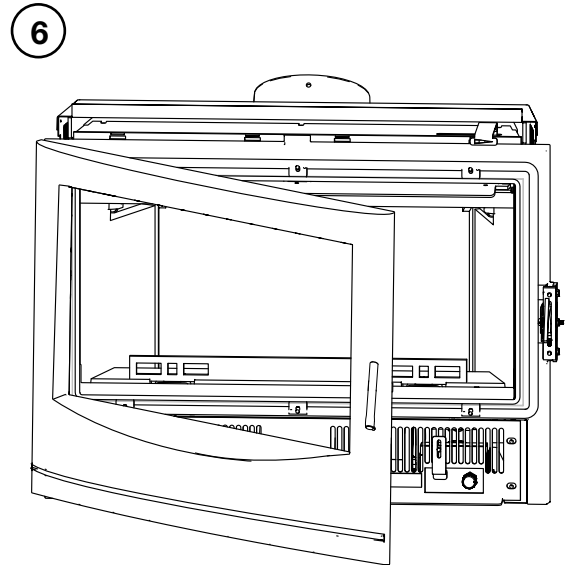
4



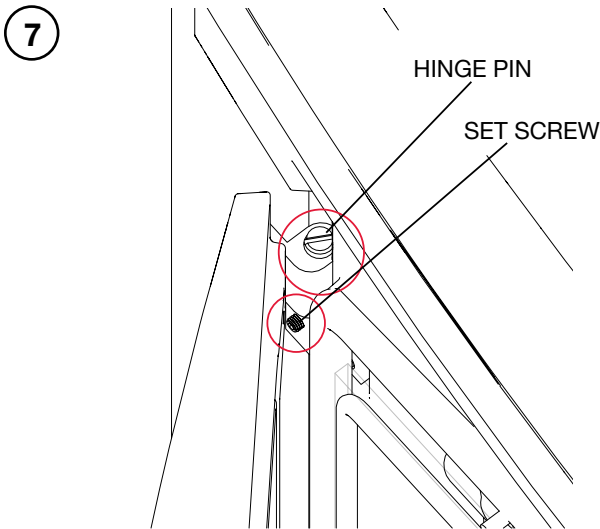
Remove the set screw and hinge pins and set aside. Remove the screws and hinge blocks and discard. Replace with the hinge blocks and screws provided. Re-install the set screw loosely. Insert the top and bottom hinge pin.



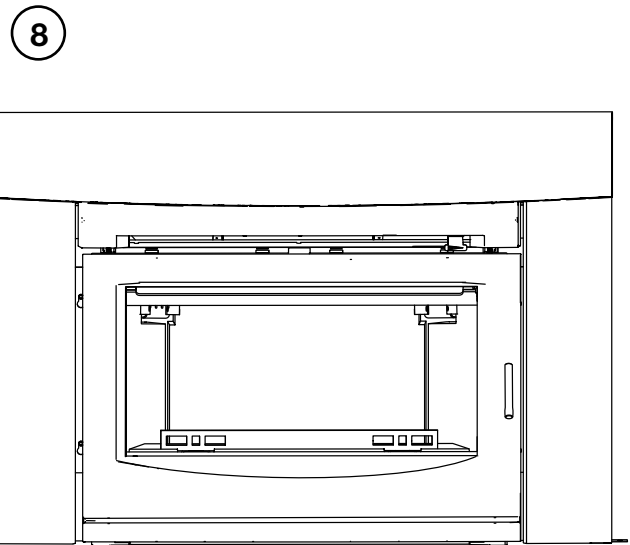
5 Rotate the top and bottom hinge pin until it is centered on each hinge block. Tighten the set screws.



6 Lift the door onto the appliance. Close the door to check alignment. Door adjustment may be necessary if door is not level.



7 To align the door, loosen the set screws. Rotate the hinge pins clockwise or counter-clockwise to raise or lower the door. Tighten the set screw. Door adjustment is strictly trial and error; you may need to perform this adjustment a few times until the desired door angle is attained.



8 Ensure the door latch closes and engages properly. Re-install the surround.

6.7 door hinge replacement / adjustment (TI3T-1)

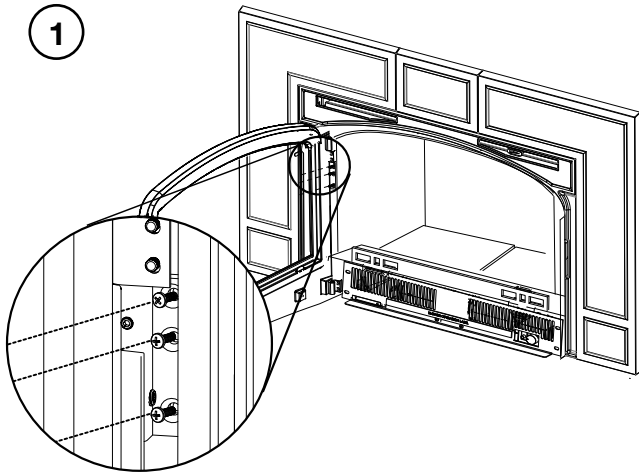
SPECIAL TOOLS YOU WILL NEED:

T20 TORX SCREWDRIVER

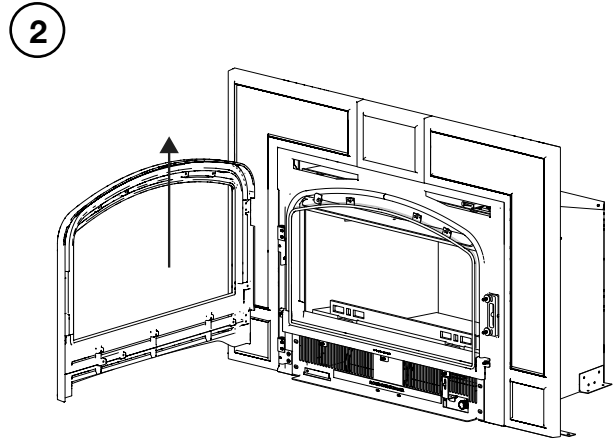
FLAT HEAD SCREWDRIVER

PHILLIPS SCREWDRIVER

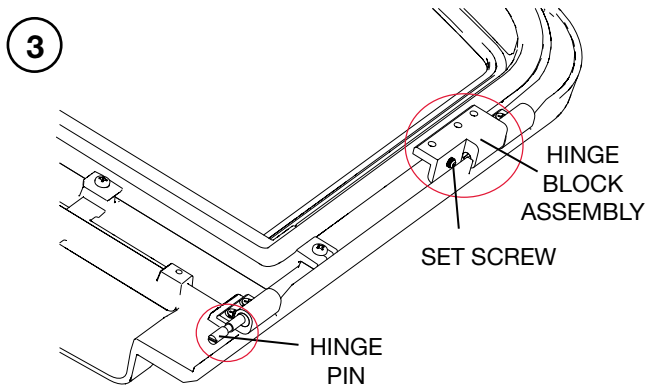
3/32 HEX KEY



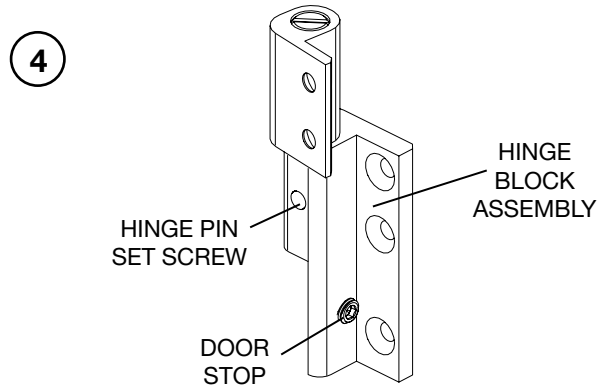
1 To remove the door, remove the 3 screws from the top hinge and 2 screws from the bottom hinge, mounted to the appliance.



2 Lift the door off the appliance. Lay the door on a soft non-abrasive surface.

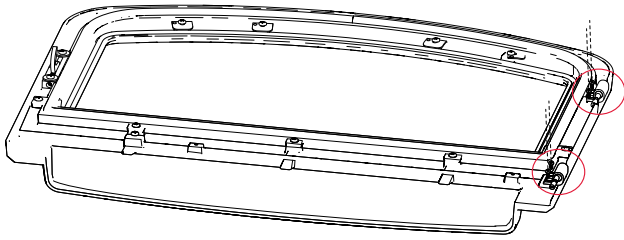


3 Remove the screws and hinges from the door. Remove hinge pins and set screws and retain. discard mounting screws and hinges.



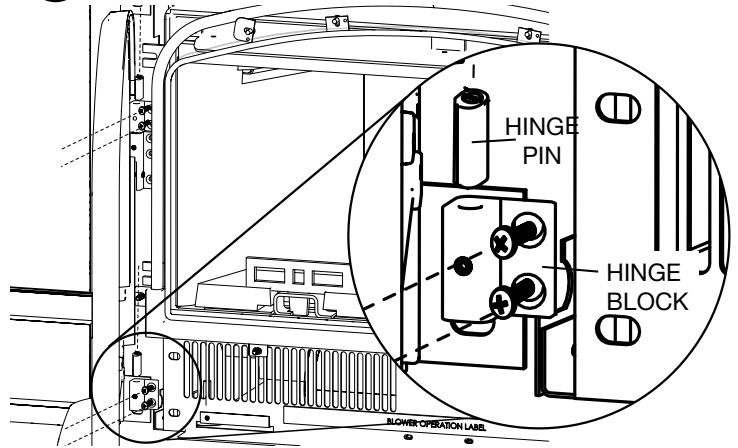
4 Assemble parts together then install the door as illustrated in step 3.

5



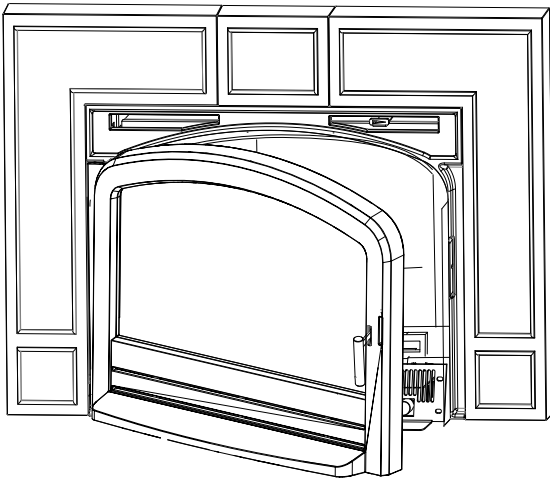
Replace with the screws and hinge blocks provided. Reinstall the hinge block assembly. Reinstall the set screw loosely.

6



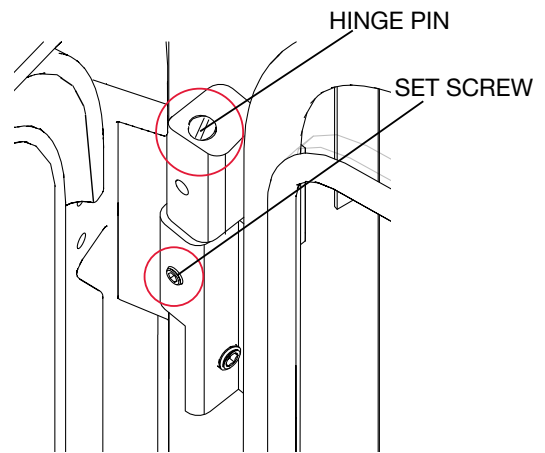
Replace the screws and bottom hinge block on the appliance. Insert the hinge pin and install the set screw loosely.

7



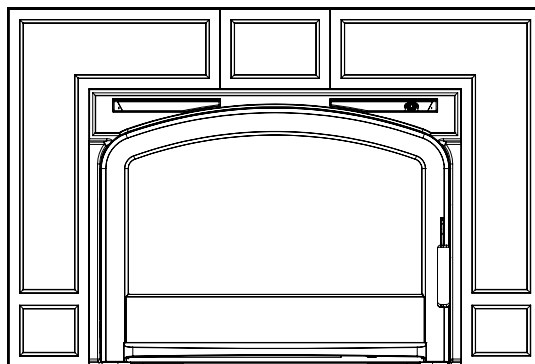
Lift the door onto the appliance bottom hinge. Reinstall the 3 screws of the hinge block assembly and loosen the top set screw. Close the door to check alignment.

8



To align the door, loosen the set screws. Rotate the hinge pins clockwise or counter-clockwise to raise or lower the door. Tighten the set screw. Door adjustment is strictly trial and error; you may need to perform this adjustment a few times until the desired angle is attained.

9



Ensure the door latch closes and engages properly.

6.8 latch block mechanism replacement

! WARNING

- Burning your appliance with the doors open or ajar creates a fire hazard that may result in a house and/or chimney fire.
- Do not strike or slam door.
- Never removed the door when the appliance is hot.

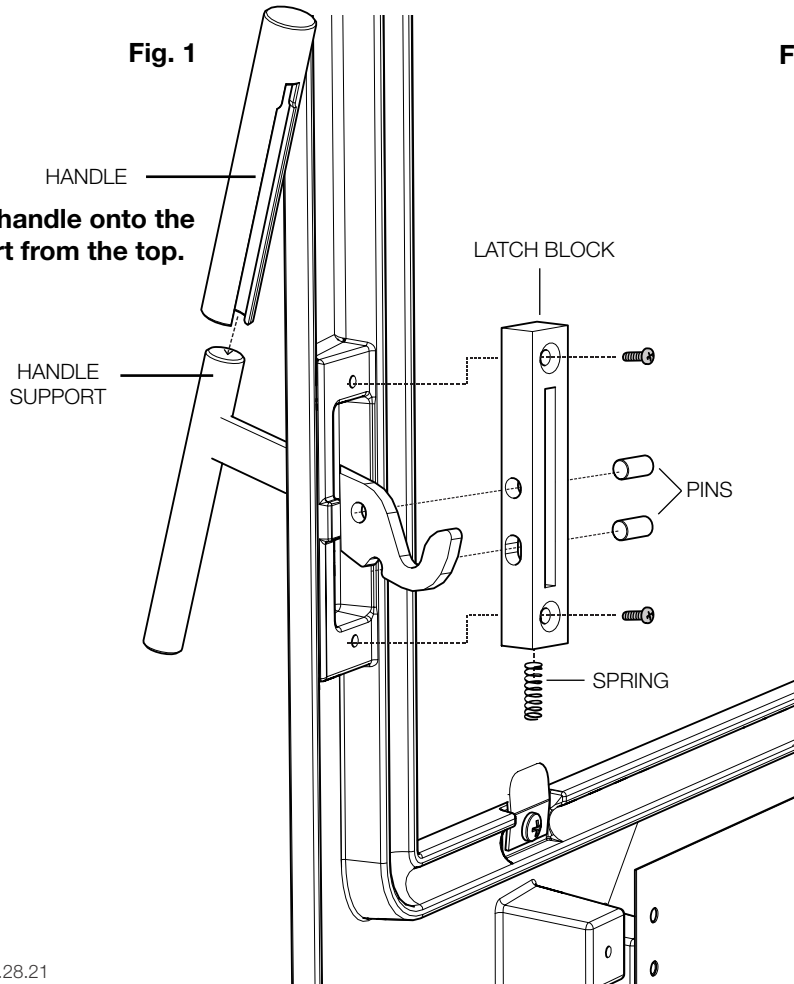
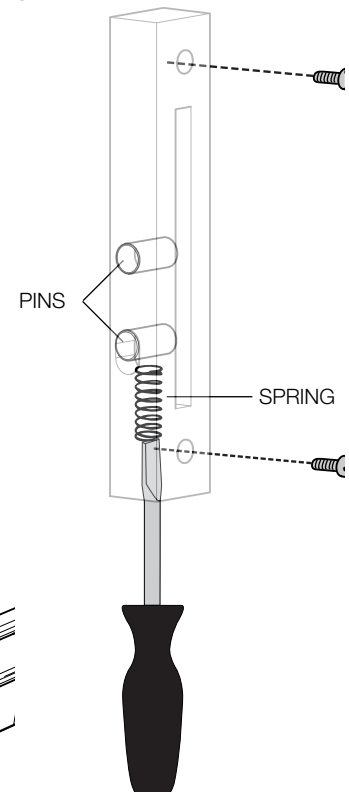
- Remove the 2 screws securing the latch block to the door.
- Pull the handle towards the inside of the door and remove the latch block components, then remove the latch block and handle support. Replace any damaged or worn components.
- To reinstall the handle support, align the top and bottom screw holes of the latch block to the top and bottom screw holes of the door (**Fig. 1**).
- Loosely tighten the top screw and install the 2 pins (**Fig. 1**).
- To install the spring, slip it into the bottom of the latch block and then install the screw. Apply a small amount of high temperature grease to the spring and pins prior to installation.

TIP: Compress the spring using a flat head screw driver, as this allows for easy installation of the screw (**Fig. 2**).

note:

To ensure proper installation, the handle support should remain in an upwards position, and the handle support should engage smoothly with the firebox.

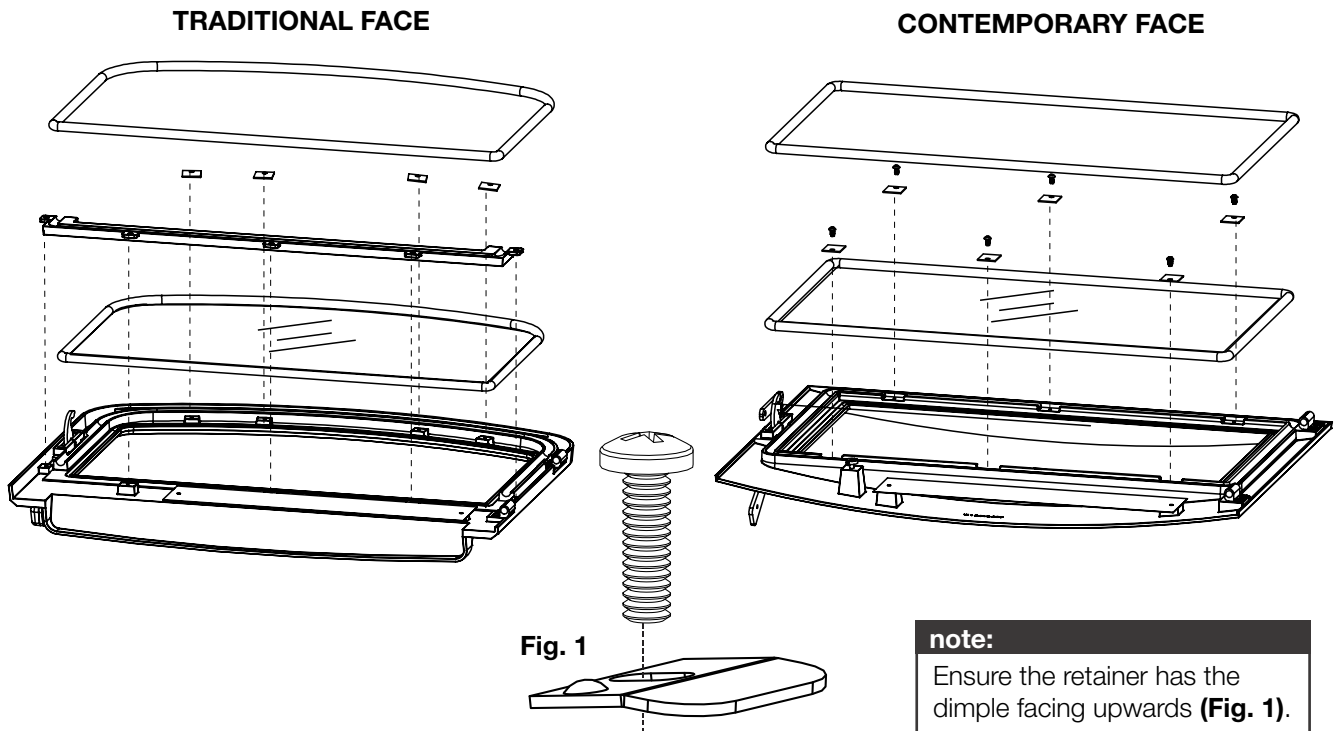
- OPTIONAL:** To permanently secure handle, apply clear RTV to the inside of the handle, slide it into place, and let cure for 24 hours.
- Adjust the latch block up or down, angling the handle support away from the door in the closed position.

**Fig. 2**

6.9 door glass replacement

WARNING

- Do not use substitute materials.
- Glass may be hot. Do not touch glass until cooled.
- Care must be taken when removing and disposing of any broken door glass or damaged components. Be sure to vacuum up any broken glass from inside appliance before operation.
- Do not strike, slam, or scratch. Do not operate appliance with glass removed, cracked, broken, or scratched.



note:

Ensure the retainer has the dimple facing upwards (**Fig. 1**).

- When the appliance is cool, remove the door from the appliance (see “door removal” section). Place the door face down, being careful not to scratch the paint.
- Take off the existing exterior rope gasket, remove the **9** screws (4 on top, 5 on bottom) on the **traditional face**, or the **6** screws (3 on top, 3 on bottom) on the **contemporary face**. Keep all materials.
- Carefully remove the glass and then the existing interior rope gasket.
- Apply a small bead of silicone in the groove of the interior rope gasket.
- Insert the 1/4” (6.4mm) rope gasket (W562-0043) in the groove, on top of the silicone.
- Place the new glass on the door and reinstall the screws.
- Apply a small bead of silicone in the groove of the exterior rope gasket.
- Insert the 3/4” (19mm) rope gasket (W562-0004) in the groove, on top of the silicone.

At the end of every heating season, inspect the rope gasket on the door to ensure it is secure.

note:

For more information on glass replacements, see “replacement parts” section.

! WARNING

- Do not clean glass when hot! Do not use abrasive cleaners to clean glass.

If the glass is not kept clean, permanent discolouration and/or blemishes may result. Normally a hot fire will clean the glass. The most common reasons for dirty glass include:

- Not using sufficient fuel to get the appliance thoroughly hot.
- Using green or wet wood.
- Closing the draft so far that there is insufficient air for complete combustion.

If it is necessary to clean the glass, buff lightly with a clean dry cloth and non-abrasive cleaner. Clean the glass after the first 10 hours of operation with a recommended appliance glass cleaner. Thereafter, clean as required.

The glass is very strong, but do not let burning fuel rest or fall against it and always close the door gently.

NEVER FORCE OR SLAM IT SHUT!

Do not operate the appliance with broken glass, as leakage of flue gases may result.

Contact your local authorized dealer/distributor for complete cleaning instructions.

If the glass should ever crack or break while the fire is burning, do not open the door until the fire is out. Do not operate the appliance until the glass has been replaced. Contact your local authorized dealer/distributor for replacement parts. **DO NOT SUBSTITUTE MATERIALS.**

6.11 care of plated parts

If the appliance is equipped with plated parts, you must clean fingerprints or other marks from the plated surfaces before operating the appliance for the first time. Use an ammonia-free or vinegar-based cleaner and a towel to clean. If not cleaned properly before operating for the first time, the marks can cause permanent blemishes on the plating. After the plating is cured, the fingerprints and oils will not affect the finish and little maintenance is required, just wipe clean as needed. Prolonged high temperature burning with the door ajar may cause discolouration on plated parts.

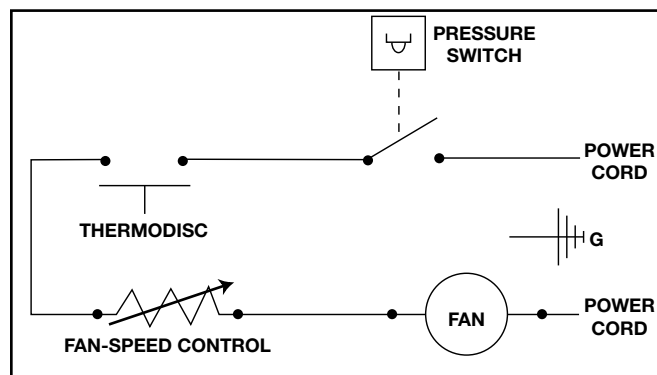
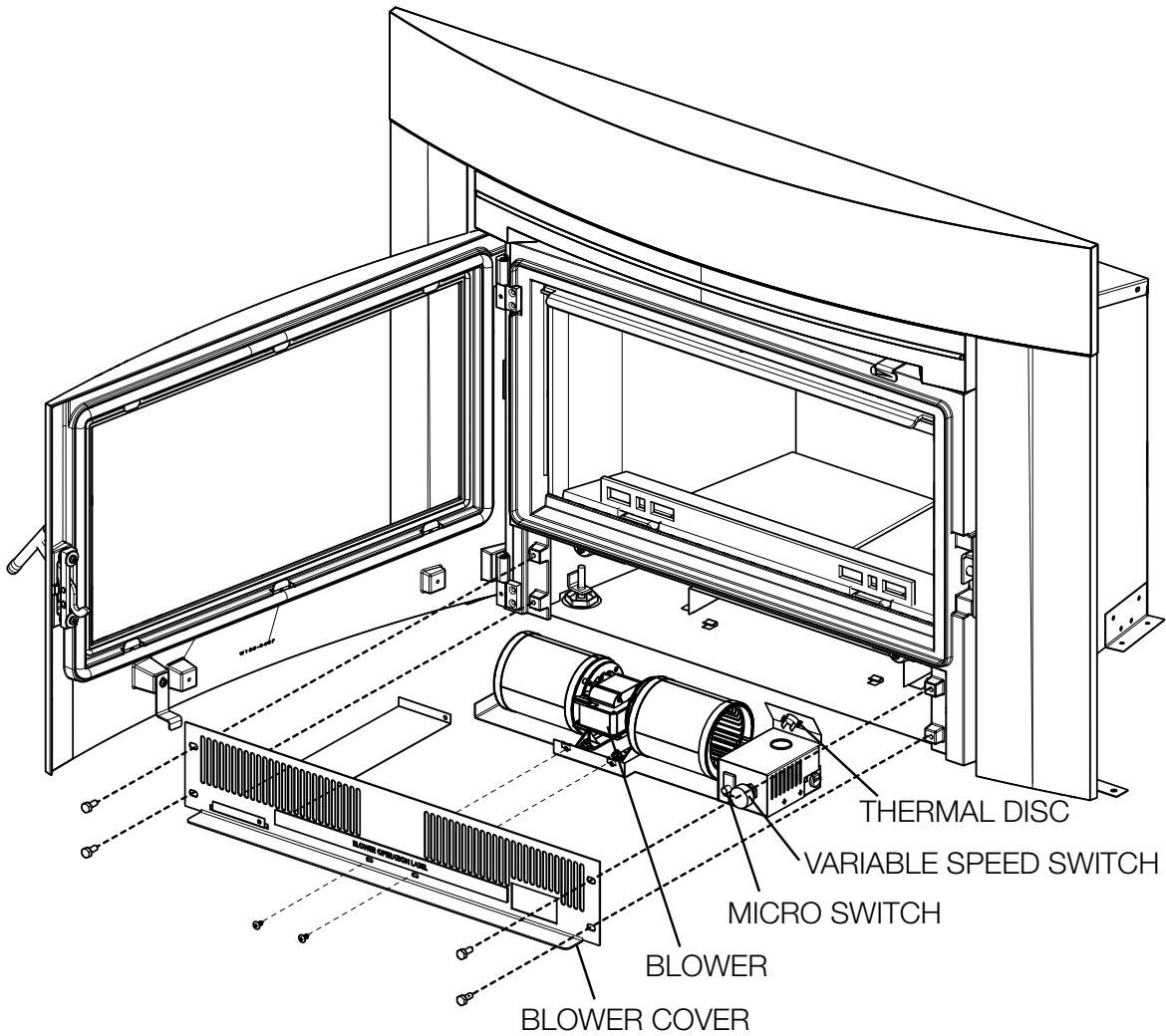
note:

The protective wrap on plated parts is best removed when the assembly is at room temperature but this can be improved if the assembly is warmed (i.e. using a hair dryer or similar heat source).



6.12 blower service or replacement

- A. Turn off all electrical power to the appliance.
- B. Remove 4 screws from blower cover and slide the complete assembly forward.
- C. Detach the blower from the blower cover by removing 2 screws in the middle of the blower cover.
- D. When reconnecting electrical connections, ensure that they remain secure.
- E. To reinstall the blower assembly, reverse these steps.
- F. When reinstalling the blower assembly, ensure that the insulation stays in place.



6.13 wood

! WARNING

- This appliance is designed to burn natural wood only. Do not burn treated wood, coal, charcoal, coloured paper, cardboard, solvents or garbage. This appliance has not been tested with an unvented gas log set. To reduce risk of fire or injury, do not install an unvented gas log set into the appliance.
- Higher efficiencies and lower emissions generally result when burning air dried seasoned hardwoods, as compared to softwoods or too green or freshly cut hardwoods.
- Burning wet unseasoned wood can cause excessive creosote accumulation. When ignited, it can cause a chimney fire that may result in a serious house fire.
- Do not store fuel within the clearance to combustibles, or in the space required for re-fueling and ash removal.

Before loading the appliance, ensure all required insulation and baffles (if equipped) are installed and situated properly. For maximum efficiency, when the appliance is thoroughly hot, load it fully to the specified maximum amount and burn at a medium low setting (if equipped). The whiteness of the bricks and the cleanliness of the glass are good indicators of your operating efficiency. Not enough heat is produced when only a few pieces of wood are burned or the wood may not burn completely.

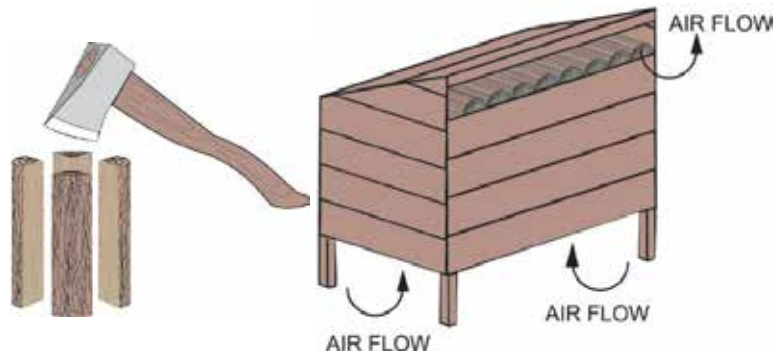
note:

Appliances surrounded by solid rock or brick will experience a longer heat up period as those materials absorb the heat being generated.

TYPES OF WOOD

Both hardwood and softwood burn equally well in this appliance but hardwood is denser, will weigh more per cord and burn a little slower and longer.

Manufactured firelogs made by compressing 100% natural wood fibre can be safely used as fuel. Do not use manufactured firelogs if they contain additives such as paraffin, wax, binders etc. Never burn more than two manufactured firelogs at a time.

**MOISTURE CONTENT**

Burn only dry, clean unpainted wood that has been seasoned. It produces more heat and less soot or creosote. Freshly cut wood contains about 50% moisture while after proper seasoning only about 20% of the water remains. As wood is burned, this water boils off consuming energy that should be used in heating. The wetter the wood, the less heat is given off and the more creosote is produced. Dry firewood has cracks in the end of the grain.

STORING WOOD

Firewood should be split and stacked in a manner that allows for full air circulation and covered in early spring to be ready for burning that fall. Dry firewood has cracks in the end grain.

Cut the wood so that it will fit horizontally, front to back, making for easier loading and less of a likelihood that the wood will roll onto the glass.

Fuel for the appliance must not be stored closer than the required clearances to combustibles (heat sensitive material). **NEVER STORE WOOD IN THE ASH PAN COMPARTMENT (if applicable).**

WARNING

- Failure to position the parts in accordance with this manual or failure to use only parts specifically approved with this appliance may result in property damage or personal injury.

Contact your dealer for questions concerning prices and policies on replacement parts. Normally, all parts can be ordered through your Authorized dealer / distributor.

For warranty replacement parts, a photocopy of the original invoice will be required to honour the claim.

When ordering replacement parts always give the following information:

- Model & Serial Number of appliance
- Installation date of appliance
- Part number
- Description of part
- Finish

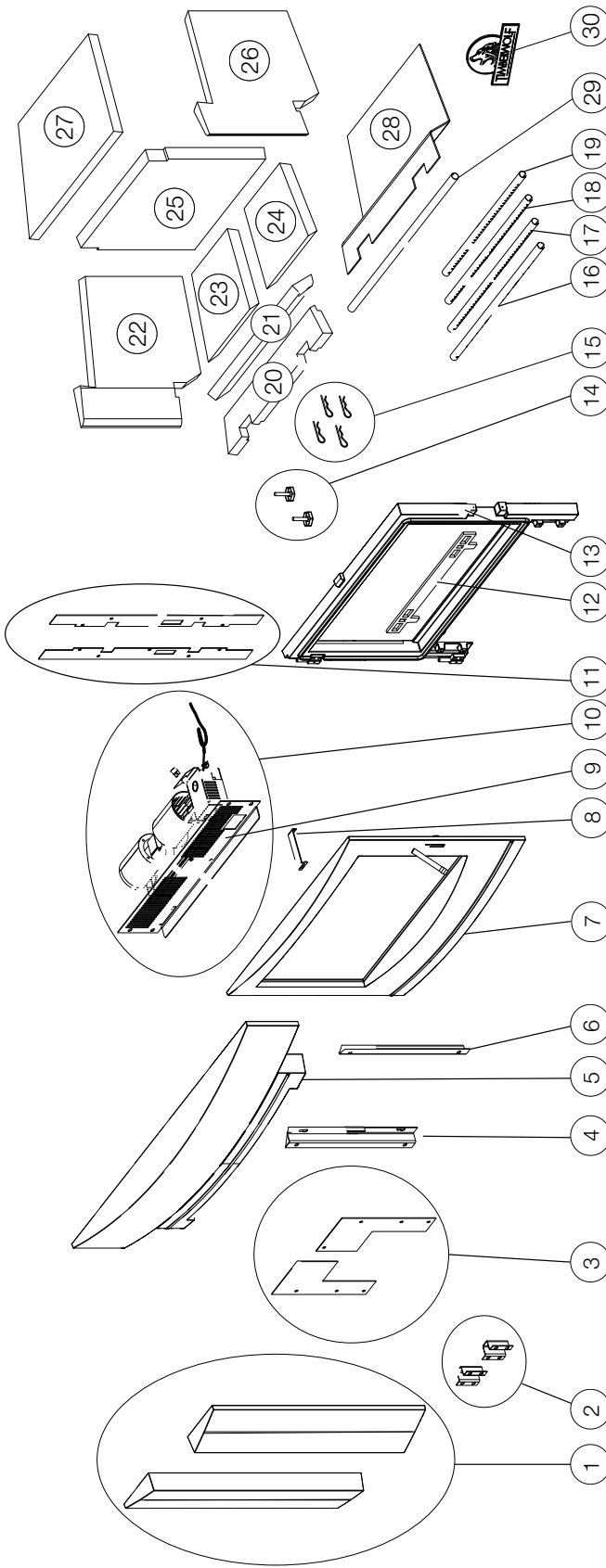
Parts, part numbers, and availability are subject to change without notice.

Parts identified as stocked will be delivered within 2 to 5 business days for most delivery destinations.

Parts not identified as stocked will be delivered within a 2 to 4 week period, for most cases.

Parts identified as 'SO' are special order and can take up to 90 days for delivery.

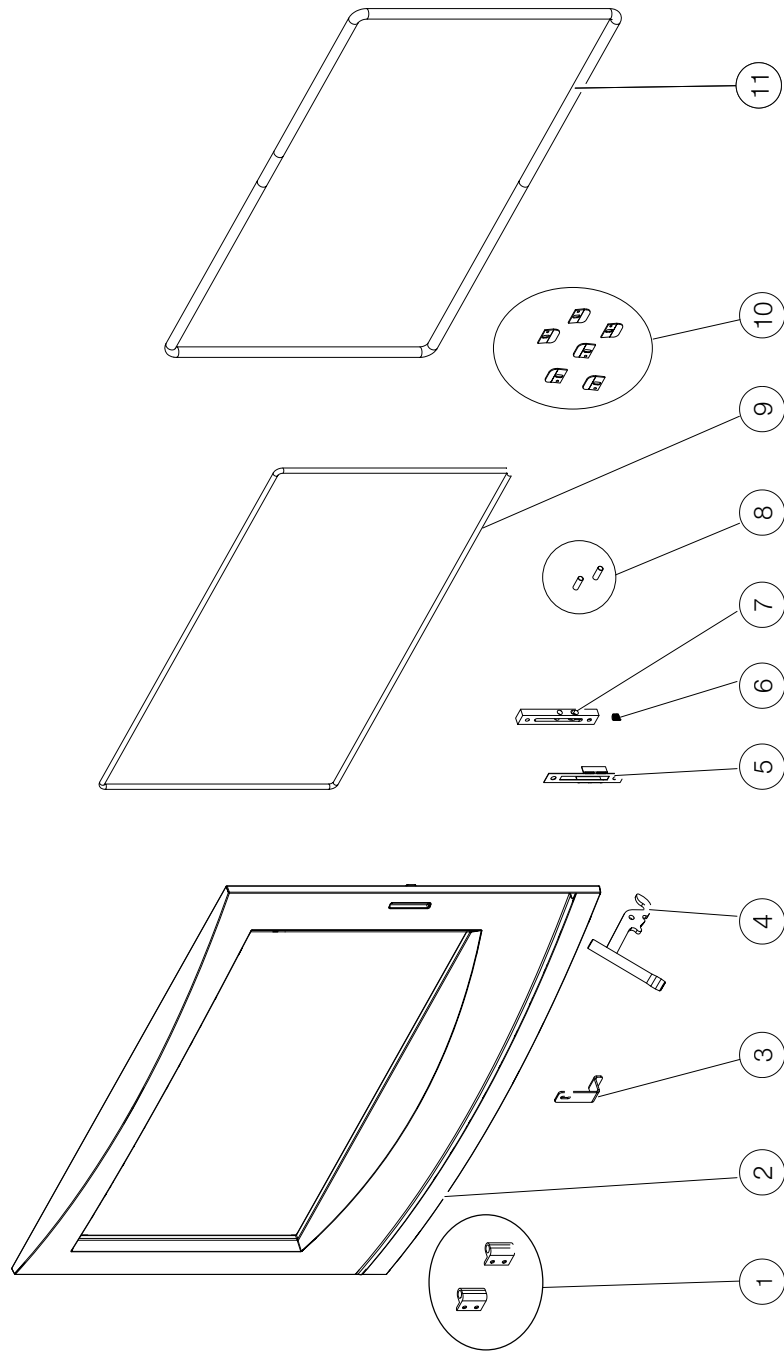
7.1 T13C-1 overview



Items may not appear exactly as illustrated.

Ref. No.	Part Number	Description	Stocked	Ref. No.	Part Number	Description	Stocked
1	W135-0726	Surround side trim (X2)		16	W720-0191	Secondary air tube #1	
2	W080-1234	Surround bracket (X2)		17	W720-0192	Secondary air tube #2	
3	W655-0899	Surround support (X2)		18	W720-0193	Secondary air tube #3	
4	W500-0966	(LS) Surround retainer		19	W720-0194	Secondary air tube #4	
5	W135-0727	Surround top trim		20	W090-0195	Front ledge brick	Yes
6	W500-0967	(RS) Surround retainer		21	W090-0196	Front brick	Yes
7	W010-4221	Door assembly		22	W090-0191	Left side brick	Yes
8	W190-0053	Air control		23	W090-0194	Bottom brick (LS)	Yes
9	W200-0356	Blower cover		24	W090-0193	Bottom brick (RS)	Yes
10	W010-2882	Blower assembly		25	W090-0190	Rear brick	Yes
11	W500-0737	Casting retainer (X2)		26	W090-0192	Right side brick	Yes
12	W715-0916	Log retainer	Yes	27	W018-0133	Baffle	Yes
13	W010-4220	EPI3C front		28	W361-0189	Firebox insulation	
14	N570-0031	Levelling screws (X2)	Yes	29	W720-0165	Pilot tube	
15	W485-0047-SER	Cotter pins (X4)	Yes	30	W385-2484	Timberwolf logo	

7.2 TI3C-1 door assembly

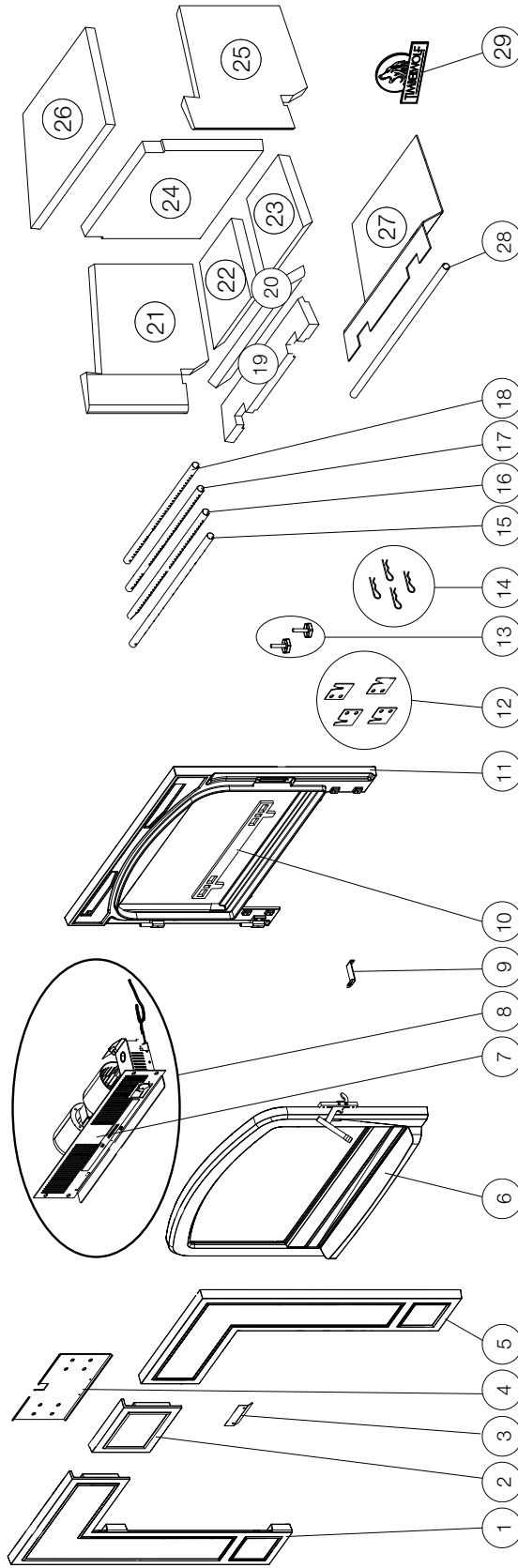


Items may not appear exactly as illustrated.

Ref. No.	Part Number	Description	Stocked
1	W330-0093	Upper door hinge (X2)	
2	W010-4221	Main door	
3	W080-1306	Fan switch bracket	
4	W325-0077-SER	Main door handle	Yes
5	W500-0700	Pin retainer	Yes
6	W630-0024	Spring	Yes
7	W060-0012-SER	Door latch block	Yes

Ref. No.	Part Number	Description	Stocked
8	W485-0052	Dowel pins (X2)	
9	W562-0070	5 ft. of 1/4" rope	Yes
10	W500-0709-SER	Glass retainers (X6)	Yes
11	W562-0004-SER	3/4" rope gasket	Yes

7.3 TI3T-1 overview

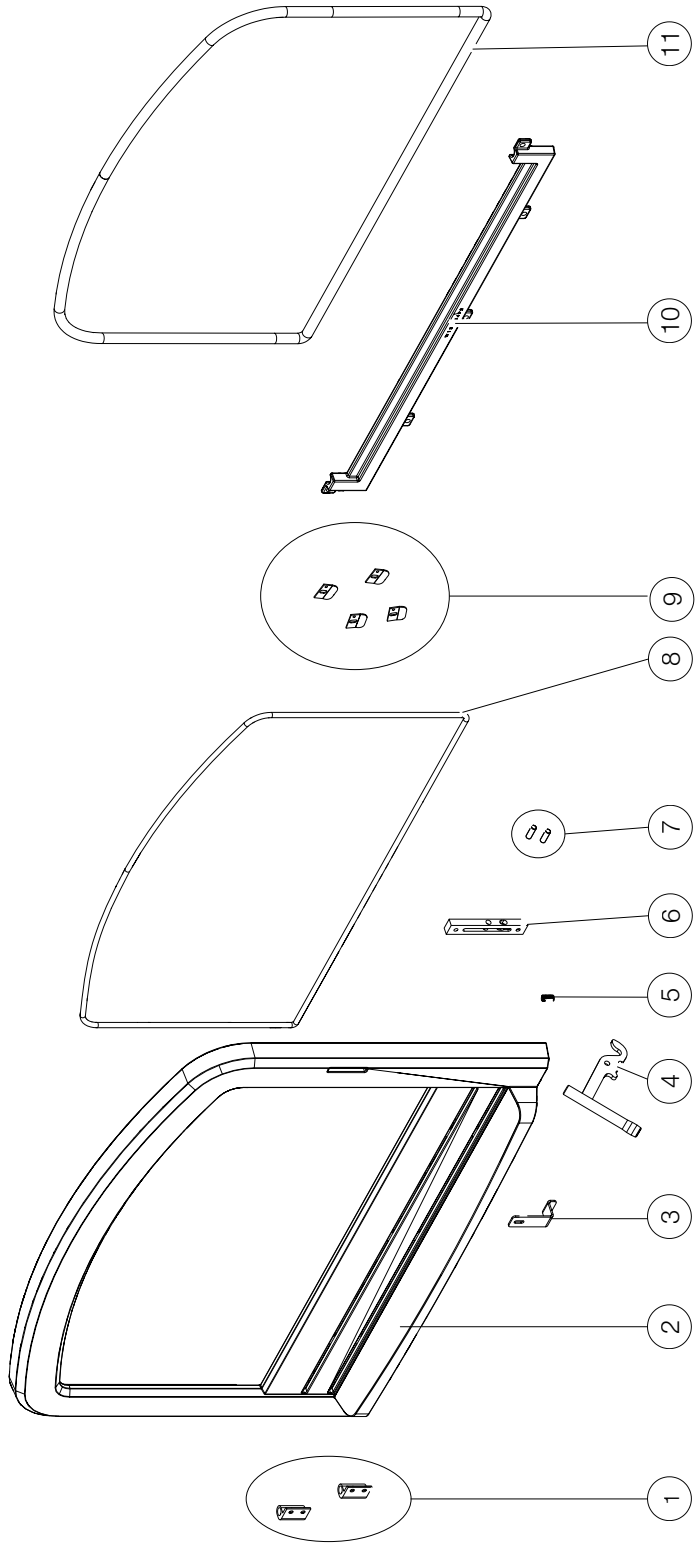


Items may not appear exactly as illustrated.

Ref. No.	Part Number	Description	Stocked
1	W135-0714	Casting, left side	
2	W135-0713	Casting, centre	
3	W655-0469	Casting support	
4	W080-1249	Casting bracket	
5	W135-0715	Casting, right side	
6	W010-4219	Door assembly	
7	W200-0356	Blower cover	
8	W010-2882	Blower assembly	
9	W190-0052	Air control	
10	W715-0916	Log retainer	Yes
11	W135-0642	EPI3T front	
12	W500-0641	Casting retainer (X4)	
13	N570-0031	Levelling screw (X2)	Yes
14	W485-0047-SER	Cotter pin (X4)	Yes
15	W720-0191	Secondary air tube #1	

Ref. No.	Part Number	Description	Stocked
16	W720-0192	Secondary air tube #2	
17	W720-0193	Secondary air tube #3	
18	W720-0194	Secondary air tube #4	
19	W090-0195	Front ledge brick	Yes
20	W090-0196	Front brick	Yes
21	W090-0191	Left side brick	Yes
22	W090-0194	Bottom brick (LS)	Yes
23	W090-0193	Bottom brick (RS)	Yes
24	W090-0190	Rear brick	Yes
25	W090-0192	Right side brick	Yes
26	W018-0133	Baffle	Yes
27	W361-0189	Firebox insulation	
28	W720-0165	Pilot tube	
29	W385-2484	Timberwolf logo	

7.4 TI3T-1 door assembly

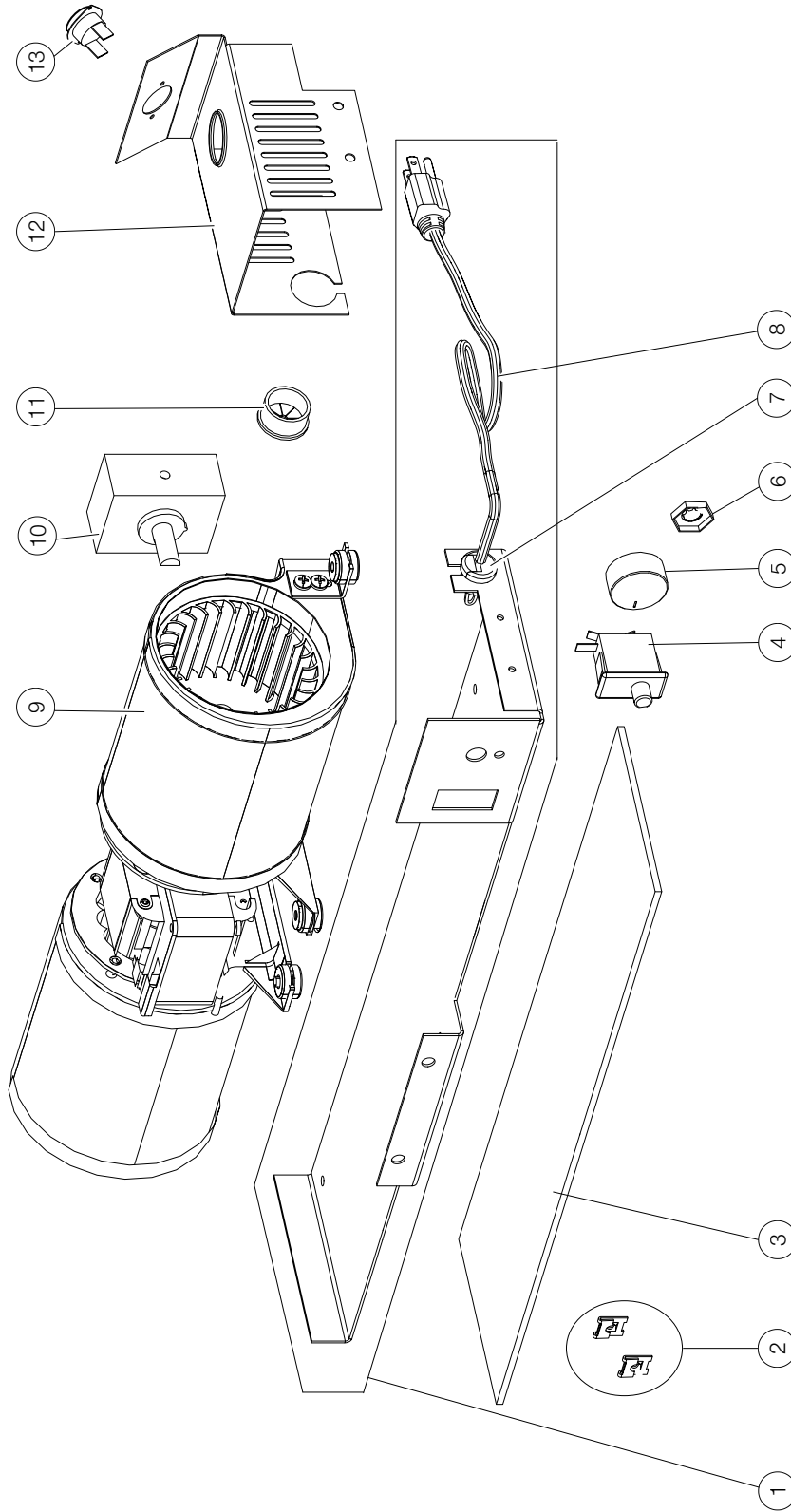


Items may not appear exactly as illustrated.

Ref. No.	Part Number	Description	Stocked
1	W330-0093	Door hinge (X2)	
2	W135-0641	Main door	
3	W080-1306	Fan switch bracket	
4	W325-0077-SER	Main door handle	Yes
5	W630-0024	Spring	Yes
6	W060-0012-SER	Door latch block	Yes
7	W485-0052	Dowel pins (X2)	Yes

Ref. No.	Part Number	Description	Stocked
8	W562-0070	5 ft. of 1/4" rope	Yes
9	W500-0709-SER	Glass retainers (X4)	Yes
10	W135-0716	Glass retainer	
11	W562-0004-SER	3/4" rope gasket	Yes

7.5 TI3C-1/ T-1 blower assembly



Items may not appear exactly as illustrated.

Ref. No.	Part Number	Description	Stocked
1	W500-0719	Blower plate assembly	
2	W450-0231	Spring nuts (X2)	
3	W290-0229	Vibration damper gasket	Yes
4	W660-0176	Micro switch	Yes
5	W380-0026	Blower knob	Yes
6	W450-0023	Pal nut	
7	W105-0002	Relief bushing	

Ref. No.	Part Number	Description	Stocked
8	W750-0264	Wire harness	Yes
9	W062-0049	Blower	Yes
10	W660-0019	Variable speed switch	
11	W105-0001	Bushing	
12	W350-0689	Electrical housing	
13	W690-0002-SER	Thermodisc	Yes

WARNING

- Turn off the appliance completely and let cool before servicing. Only a qualified service person should service and repair this electric appliance.
- Appliance may be hot, do not service until appliance has cooled.
- Do not use abrasive cleaners.
- When checking connections, installing jumper wires (for test purposes only) or replacing components, unplug appliance from the receptacle to prevent electrical shock or damage to the component.

symptom	test solution
Can't get the fire started.	Not enough kindling / paper? Add more.
	Not enough air? Ensure air control is fully open. Also ensure that the air opening is not obstructed.
	Cold air blockage? Burn a piece of paper to establish a draft.
	Use dry seasoned wood with 20% moisture content.
	Flue blockage? Inspect chimney.
Smokes when door is open.	Cold air blockage? Burn a piece of paper to establish a draft.
	Insufficient draft? Add more pipe.
	Let air stabilize before opening door.
	Ensure baffles are positioned correctly.
Appliance emits odour.	Negative pressure? Open a window near the appliance.
Stove doesn't burn hot enough.	Paint curing, see "general instructions" section.
	Wood has more than 20% moisture.
	Insufficient draft? Add more pipe.
Wood burns too fast.	Not enough air? Ensure air control is fully open. Also ensure that the air opening is not obstructed.
	Air control may need to be adjusted down.
	Check to see ash plug is properly seated (if equipped).
	Check door gasket for adequate seal.
Dirty glass.	Wood may be extremely dry.
	Air control may be closed too far.
	Burn hotter, smaller fires.
Blower does not run.	Use well seasoned wood with 20% moisture content.
	Appliance may not be up to temperature.
Blower doesn't run	Ensure blower has power.
	<ul style="list-style-type: none"> - Thermal overload protection has tripped. - Cool the appliance down to allow the thermal overload to automatically reset.
Latch mechanism is sticking/squeaking	<ul style="list-style-type: none"> - Remove the latch block mechanism and grease the spring and pins, see "latch block mechanism replacement" section.

9.0 warranty

TIMBERWOLF products are manufactured under the strict Standard of the World Recognized ISO 9001 : 2015 Quality Management System.

TIMBERWOLF products are designed with superior components and materials, assembled by trained craftsmen who take great pride in their work. The complete appliance is thoroughly inspected by a qualified and authorized installer, service agency or supplier before packaging to ensure that you, the customer, receives the quality product that you expect from TIMBERWOLF.

TIMBERWOLF WOOD APPLIANCE LIMITED WARRANTY

The following materials and workmanship in your new TIMBERWOLF appliance are warranted against defects as defined below:

The combustion chamber is warranted against defects for a period of 5 years.

The secondary air tubes are warranted against defects for a period of 5 years.

Electrical (110V) components and wearable parts are covered and TIMBERWOLF will provide replacement parts free of charge during the first year of the limited warranty. This covers: blowers, thermal switches, switches, wiring, rheostats, firebrick, ceramic glass (thermal breakage only), fibre baffles and gasketing.*

Any labour related to warranty repair is not covered.

* Construction of models vary. Warranty applies only to components included with your specific appliance.

CONDITIONS AND LIMITATIONS

Wolf Steel warrants its TIMBERWOLF products against manufacturing defects to the original purchaser only. Registering your warranty is not necessary. Simply provide your proof of purchase along with the model and serial number to make a warranty claim. Provided that the purchase was made through an authorized TIMBERWOLF dealer your appliance is subject to the following conditions and limitations: Warranty coverage begins on the date of original installation.

This factory warranty is non-transferable and may not be extended whatsoever by any of our representatives.

The appliance must be installed by a qualified and authorized installer, service agency or supplier. Installation must be done in accordance with the installation instructions included with the product and all local and national building and fire codes.

This limited warranty does not cover damages caused by misuse, lack of maintenance, accident, alterations, abuse or neglect. Operating the appliance on high for extended periods of time, is neglect. Parts installed from other manufacturers will nullify this warranty.

This limited warranty further does not cover any scratches, dents, corrosion or discoloring caused by excessive heat, abrasive and chemical cleaners nor chipping on porcelain enamel parts, nor any venting components used in the installation of the appliance.

In the first year only, this warranty extends to the repair or replacement of warranted parts which are defective in material or workmanship provided that the product has been operated in accordance with the operation instructions and under normal conditions.

After the first year, with respect to the TIMBERWOLF'S Limited Warranty, Wolf Steel may, at its discretion, fully discharge all obligations with respect to this warranty by refunding to the original warranted purchaser the wholesale price of any warranted but defective parts.

After the first year, Wolf Steel Ltd. will not be responsible for installation, labour or any other costs or expenses related to the reinstallation of a warranted part, and such expenses are not covered by this warranty.

Notwithstanding any provisions contained in the TIMBERWOLF'S Limited Warranty, Wolf Steel's responsibility under this warranty is defined as above and it shall not in any event extend to any incidental, consequential or indirect damages.

This warranty defines the obligations and liability of Wolf Steel with respect to the TIMBERWOLF appliance and any other warranties expressed or implied with respect to this product, its components or accessories are excluded.

Wolf Steel neither assumes, nor authorizes any third party to assume, on its behalf, any other liabilities with respect to the sale of this product.

Wolf Steel will not be responsible for: over-firing, downdrafts, spillage caused by environmental conditions such as rooftops, buildings, nearby trees, hills, mountains, inadequate vents or ventilation, excessive venting configurations, insufficient makeup air, or negative air pressures which may or may not be caused by mechanical systems such as exhaust blowers, furnaces, clothes dryers, etc.

Any damages to appliance, combustion chamber, heat exchanger or other components due to water, weather damage, long periods of dampness, condensation, damaging chemicals or cleaners will not be the responsibility of Wolf Steel.

Regular cleaning of the fine ash generated during the operation of this appliance is a necessary part of maintaining your appliance. Failure of any components, which is attributed to poor maintenance, is not warrantable and will not be covered by this policy.

Wolf Steel reserves the right to have its representative inspect any TIMBERWOLF product or part thereof prior to honouring any warranty claim.

All parts replaced under the Limited Warranty Policy are subject to a single claim.

During the first 10 years Wolf Steel Ltd. will replace or repair the defective parts covered by the lifetime warranty at our discretion free of charge. From 10 years to life, Wolf Steel Ltd. will provide replacement parts at 50% of the current retail price.

All parts replaced under the warranty will be covered for a period of 90 days from the date of their installation.

The manufacturer may require that defective parts or products be returned or that digital pictures be provided to support the claim.

Returned products are to be shipped prepaid to the manufacturer for investigation. If a product is found to be defective, the manufacturer will repair or replace such defect.

Before shipping your appliance or defective components, your dealer must obtain an authorization number. Any merchandise shipped without authorization will be refused and returned to sender.

Shipping costs are not covered under this warranty.

Additional service fees may apply if you are seeking warranty service from a dealer.

Labour, travel, diagnostic tests, shipping and other related charges are not covered by this warranty.

ALL SPECIFICATIONS AND DESIGNS ARE SUBJECT TO CHANGE WITHOUT PRIOR NOTICE DUE TO ON-GOING PRODUCT IMPROVEMENTS.



TIMBERWOLF

Produced and distributed by:

WOLF STEEL LTD.

24 Napoleon Road, Barrie, Ontario, Canada L4M 0G8
Tel: 1-866-820-8686

timberwolffireplaces.com



MANUEL D'INSTALLATION ET D'OPÉRATION

Série TI3-1
(TI3T-1 illustré)

INSTALLATEUR:

Laissez ce manuel avec l'appareil.

PROPRIÉTAIRE:

Conservez ce manuel pour consultation ultérieure.

CONSIGNES DE SÉCURITÉ

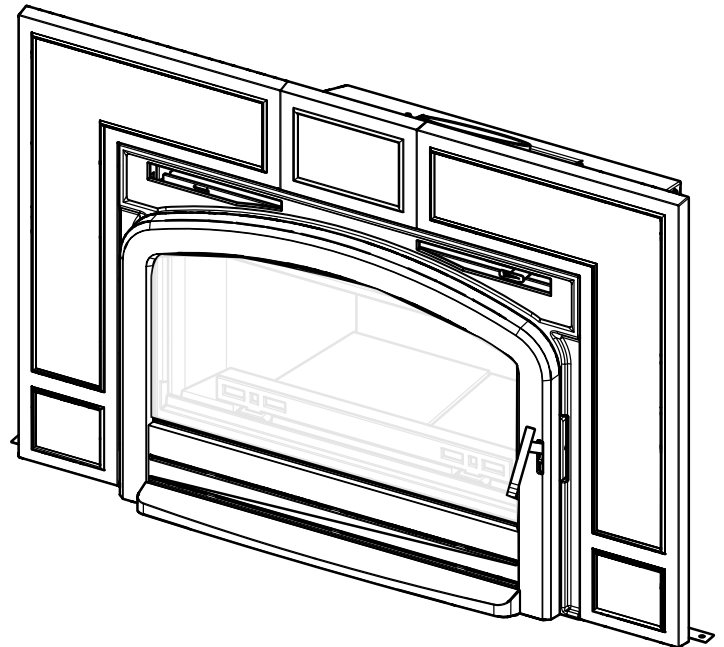
AVERTISSEMENT

Si ces instructions ne sont pas suivies à la lettre, un incendie ou une explosion pourraient s'ensuivre, causant des dommages matériels, des blessures corporelles ou des pertes de vie. Veuillez lire le manuel en entier avant d'installer et d'utiliser cet appareil. Cet appareil n'a pas été testé avec un ensemble de bûches à gaz non ventilées. Afin de réduire le risque d'incendie ou de blessure, n'installez pas d'ensemble de bûches à gaz non ventilées dans cet appareil.

- Cet appareil peut devenir très chaud lorsqu'il fonctionne.
- Les matériaux combustibles, tels que le bois de chauffage, les vêtements mouillés, etc. placés trop près de l'appareil pourraient prendre feu.
- Il faut empêcher les enfants et les animaux de toucher l'appareil quand il est chaud.
- La cheminée doit être en bon état et ne pas être fêlée. Avant d'installer cet appareil, contactez le service du bâtiment ou le service d'incendie de votre municipalité et suivez leurs directives.
- Faites fonctionner l'appareil seulement avec la porte bien fermée.
- Brûlez le bois en arrière du pare-bûches, directement sur les briques réfractaires.
- N'utilisez pas un chenet et n'essayez pas de surélever le feu de quelque manière.
- Cet appareil a été conçu pour brûler seulement le bois naturel. Vous obtenez une meilleure efficacité et des émissions plus basses avec du bois dur séché à l'air qu'avec du bois résineux ou vert, ou du bois dur fraîchement coupé.
- N'allumez pas votre feu à l'aide de produits chimiques ou de liquides, tels que l'essence, de l'huile à moteur, etc.
- Ne brûlez pas de déchets, des résidus de tonte de pelouse, de caoutchouc, des produits pétroliers résiduels, de la peinture ou du diluant / de solvants, de plastique, des matériaux contenant de l'amiante, des débris de construction, des traverses de chemin de fer ou de bois traités, du fumier ou des restes d'animaux, du bois de grève imprégné de sel ou des matériaux salés, du bois non séché, de charbon, de papiers de couleur, de cartons, des contreplaqués ou des panneaux de particules.
- Brûler ces matériaux pourrait entraîner la libération de fumées toxiques ou rendre l'appareil inefficace et générer de la fumée.
- Ne laissez pas l'appareil chauffer au point où des parties deviennent rougeoyantes.

Poêles à bois SEULEMENT

- Au moins 14 pouces carrés (90,3 centimètre carrés) d'air extérieur doit être admis dans le pièce ou directement dans l'appareil par un conduit de 4 pouces (102mm) de diamètre.
- GARDEZ LA TEMPÉRATURE SUR LE DESSUS DE L'APPAREIL SOUS 700°F (371°C). Toute tentative d'atteindre débits maximaux de chaleur, pourrait provoquer la distorsion de l'acier et causer des dommages.



POUR L'UTILISATION INTÉRIEUR SEULEMENT

CERTIFIÉ SELON LES NORMES D'ÉMISSION DE PARTICULE DE 2020 DE L'AGENCE DE PROTECTION DE L'ENVIRONNEMENT AMÉRICAIN (E.P.A) EN UTILISANT DU BOIS DE CORDE. CET APPAREIL A ÉTÉ TESTÉ PAR POLYTESTS LTÉE ET HOMOLOGUÉ PAR CSA GROUP À NORMES: ULC-S628 AND UL 1482. MÉTHODES ALT-125 COMME RÉFÉRENCÉ DANS 40 CFR PARTIE 60 SOUS-PARTIE AAA. NUMÉRO DE RÉFÉRENCE: 161746



Wolf Steel Ltd., 24 Napoleon Rd., Barrie, ON, L4M 0G8 Canada / 103 Miller Drive, Crittenden, Kentucky, USA, 41030
Téléphone 1 (866) 820-8686 • www.timberwolffireplaces.com • ask@timberwolffireplaces.com

consignes de sécurité

FR

AVERTISSEMENT

- Cet appareil est chaud lorsqu'il fonctionne et peut causer de graves brûlures en cas de contact.
- Toute modification apportée à cet appareil ou aux contrôles peut être dangereux et est interdit.
- Ne faites pas fonctionner l'appareil avant d'avoir lu et compris les instructions d'opération. Omettre d'utiliser l'appareil selon les instructions d'opération pourrait causer un incendie ou des blessures.
- Avant d'installer cet appareil, contactez les autorités locales du bâtiment ou le service des incendies et suivez leurs directives.
- Cet appareil doit être installé par un installateur qualifié. N'essayez jamais de réparer ou de remplacer les pièces de cet appareil à moins que des instructions soient fournies à cet effet dans ce manuel. Tout autre travail devrait être effectué par un technicien qualifié.
- Risque de brûlures. L'appareil doit être éteint et refroidi avant d'effectuer un entretien.
- Ne faites pas fonctionner tant que tous les composants ne sont pas complètement installés. N'installez pas de composants endommagés ou incomplets ni des composants substitués.
- Ne laissez pas l'appareil chauffer au point où des parties deviennent rougeoyantes.
- Risque de coupures et d'éraflures. Portez des gants protecteurs et des lunettes de sécurité lors de l'installation. Les bordures des pièces de métal peuvent être coupantes.
- Cet appareil doit être raccordé électriquement par un électricien qualifié conformément aux codes locaux. En l'absence de codes locaux, utilisez la version courante du code canadien de l'électricité CSA C22.1 au Canada ou le national electrical code ANSI/NFPA 70 aux États-Unis.
- Brûler votre appareil avec la porte de décharge de cendre ouvert crée un risque d'incendie qui peuvent entraîner une décoloration de la porte, les dommages internes à l'appareil ou un feu de cheminée.
- Cet appareil ne doit pas être raccordé au conduit d'une cheminée desservant un autre appareil.
- Les enfants et les adultes devraient être informés des dangers que posent les températures de surface élevées et se tenir à distance afin d'éviter des brûlures ou que leurs vêtements ne s'enflamment.
- Surveillez attentivement les jeunes enfants lorsqu'ils sont dans la même pièce que l'appareil. Les jeunes enfants et autres sont plus à risque de contacts accidentels causant des brûlures. Une barrière physique est conseillée lorsque qu'il y a des individus à risque dans la maison. Pour empêcher l'accès à un appareil ou un poêle, installez une barrière de sécurité pour garder les jeunes enfants et autres individus à risque hors de la pièce et éloignés des surfaces chaudes. Les vêtements et autres matériaux combustibles ne doivent pas être posés sur le foyer ou à proximité.
- En raison des températures élevées, le foyer devrait être placé loin des endroits passants et loin des meubles et des rideaux. Les objets placés devant l'appareil doivent être gardés à une distance d'au moins 4 pieds (1,2m) de l'avant de l'appareil.
- En raison des températures élevées, l'appareil devrait être placé loin des endroits passants et loin des meubles et des rideaux.
- Assurez-vous de disposer de mesures de sécurité adéquates pour empêcher les jeunes enfants de toucher aux surfaces chaudes.
- Même une fois que le foyer est éteint, la vitre et/ou le pare-étincelles demeureront chauds pendant un temps prolongé.
- Consultez votre détaillant local de foyer pour connaître les grillages de sécurité et les écrans offerts pour protéger les enfants des surfaces chaudes. Ces grillages de sécurité et ces écrans doivent être fixés au plancher.
- Les grillages de sécurité ou écrans enlevés pour faire l'entretien devront être remis en place avant d'utiliser l'appareil.
- Cet appareil ne devra être modifié en aucun cas.
- Cet appareil ne doit pas être raccordé au conduit d'une cheminée desservant un autre appareil de chauffage à combustible solide.
- Ne pas opérer l'appareil lorsque la porte vitrée est enlevée, fissurée ou brisée. Le remplacement de la vitre devra être effectué par un technicien de service certifié ou qualifié.
- Ne frappez pas et ne claquez pas la porte vitrée de l'appareil.
- Seulement les portes/façades certifiées pour cet appareil peuvent être utilisées avec cet appareil.



AVERTISSEMENT

- Gardez les matériaux d'emballage hors de la portée des enfants et mettez ces matériaux au rebut de façon sécuritaire. Comme tous les emballages de plastique, ces matériaux ne sont pas des jouets et doivent demeurer hors de la portée des enfants et des bébés.
- Si cet appareil n'est pas installé de façon adéquate, un incendie pourrait s'ensuivre. N'exposez pas l'appareil aux éléments (p. ex. la pluie, etc.) et gardez-le au sec en tout temps. De l'isolant humide produira une odeur lorsque l'appareil est utilisé.
- La cheminée doit être en bon état et ne pas être fissurée. Nettoyez la cheminée au moins deux fois par année et lorsque nécessaire.
- N'allumez pas votre feu à l'aide de produits chimiques ou de liquides tels que de l'essence, de l'huile à moteur, etc.
- Votre appareil nécessite un entretien et un nettoyage périodiques. Négliger cet entretien peut causer des refoulements de fumée dans la maison.
- Les cendres doivent être mises dans un contenant métallique avec un couvercle hermétique et déposé sur une surface incombustible suffisamment éloigné de la maison ou de toute structure jusqu'à ce qu'elles soient complètement refroidies.
- Assurez-vous de respecter les dégagements aux matériaux combustibles lorsque vous installez un manteau ou des tablettes au-dessus de l'appareil. Les températures élevées sur le mur ou de l'air au-dessus de l'appareil peuvent faire fondre, décolorer ou endommager les décorations, les téléviseurs ou autres composants électroniques.

 AVERTISSEMENT: Ce produit peut vous exposer à des substances chimiques incluant le plomb et les composés de plomb qui, selon l'État de Californie, causeraient le cancer, et des substances chimiques incluant le monoxyde de carbone qui, selon d'État de Californie, causeraient des malformations congénitales ou autres dangers pour la reproduction. Pour de plus amples renseignements, visitez le www.P65Warnings.ca.gov.

Pour les appareils de bois:

- Vous obtenez une meilleure efficacité et des émissions plus basses avec du bois dur séché à l'air qu'avec du bois résineux ou vert, ou des bois durs fraîchement coupés. Brûler du bois vert ou humide peut causer des accumulations excessives de créosote. Lorsqu'elle est allumée, cette dernière peut causer un feu de cheminée et un incendie grave pourrait s'ensuivre.
- Cet appareil a été conçu pour brûler du bois naturel uniquement. Ne brûlez pas de déchets, des résidus de tonte de pelouse, de caoutchouc, des produits pétroliers résiduels, de la peinture ou du diluant / de solvants, de plastique, des matériaux contenant de l'amiante, des débris de construction, des traverses de chemin de fer ou de bois traités, du fumier ou des restes d'animaux, du bois de grève imprégné de sel ou des matériaux salés, du bois non séché, de charbon, de papiers de couleur, emballage-cadeau, de cartons, des contreplaqués ou des panneaux de particules. La combustion de ces matériaux peut entraîner la libération de fumées toxiques ou rendre l'appareil inefficace et causer de la fumée.
- Brûlez le bois directement sur les briques réfractaires. N'utilisez pas un chenet et n'essayez pas de surélever le feu de quelque manière.
- Ne rangez pas de bois à l'intérieur des dégagements prescrits ou à l'intérieur de la zone nécessaire pour procéder au ravitaillement ou à l'enlèvement des cendres.
- Si équipé, le catalyseur doit être installé et en bon état de fonctionnement. Il est recommandé que le catalyseur est inspecté au moins 3 fois par saison de chauffage.

table de matières

FR

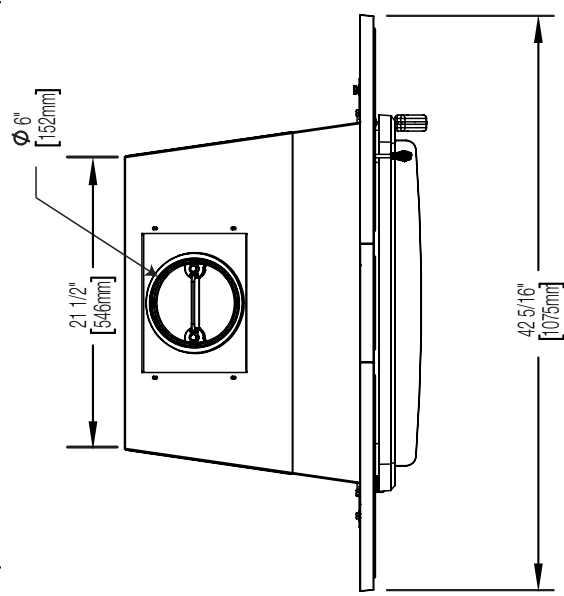
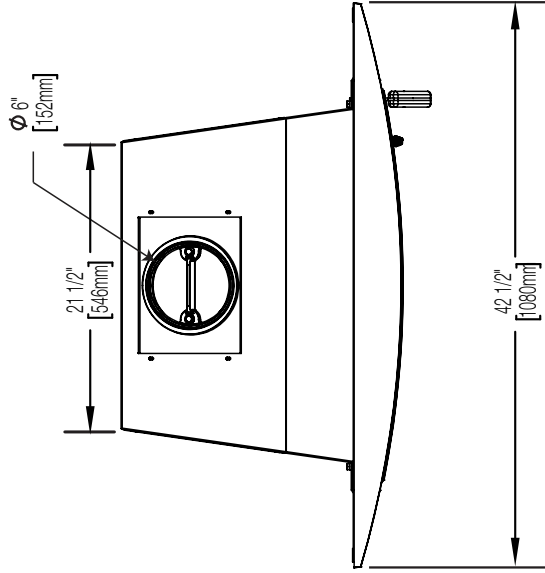
1.0	information générale	51	6.0	entretien	71
1.1	dimensions (avec contour)	51	6.1	enlèvement des cendres	71
1.2	spécifications	52	6.2	formation et enlèvement de la créosote	72
1.3	instructions générales	52	6.3	feu de cheminée ou feu hors contrôle	72
1.4	information générale	53	6.4	nettoyage de la cheminée	72
1.5	information à propos de la plaque d'homologation	54	6.5	enlèvement de la porte	73
2.0	planification de l'installation	55	6.6	ajustement / enlèvement de la charnière de porte (TI3C-1)	74
2.1	dégagements minimaux aux matériaux combustibles	55	6.7	ajustement / enlèvement de la charnière de porte (TI3T-1)	76
2.2	base de protection / protecteur thermique de plancher incombustible	56	6.8	remplacement du mécanisme du bloc de loquet	78
3.0	installation	57	6.9	remplacement de la vitre	79
3.1	installation typique dans une cheminée de maçonnerie existante	58	6.10	soins de la vitre	80
3.2	installation de l'TI3-1	59	6.11	soins des pièces plaquées	80
3.3	foyer préfabriqué	60	6.12	entretien ou remplacement de la soufflerie	81
4.0	finitions	61	6.13	bois	82
4.1	tuyaux d'air secondaire	61	7.0	pièces de rechange	83
4.2	installation des briques et des déflecteurs en fibre	62	7.1	vue d'ensemble d'TI3C-1	84
4.3	installation de contour, traditionnel	63	7.2	assemblage de porte d'TI3C-1	85
4.4	installation du contour, contemporain	64	7.3	vue d'ensemble d'TI3T-1	86
5.0	fonctionnement	65	7.4	assemblage de porte d'TI3T-1	87
5.1	méthode pour assurer une combustion optimale	66	7.5	assemblage de soufflerie d'TI3C-1/T-1	88
5.2	fonctionnement de soufflerie optionnelle	66	8.0	guide de dépannage	89
5.3	contrôle d'air	67	9.0	garantie	90
5.4	extincteurs et détecteurs de fumée / monoxyde de carbone	67	10.0	notes	91
5.5	combustible	68			
5.6	allumer un feu	68			
5.6.1	feu éclair	68			
5.6.2	feu continu	69			
5.7	enfumage	69			
5.8	fonctionnement de soufflerie	70			

note:

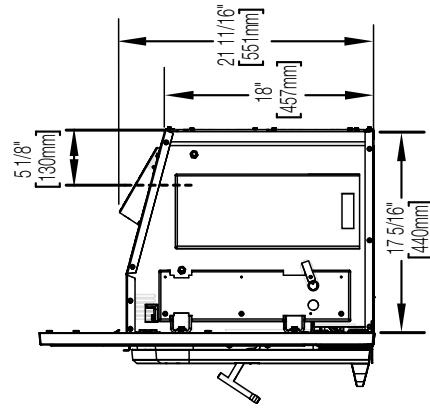
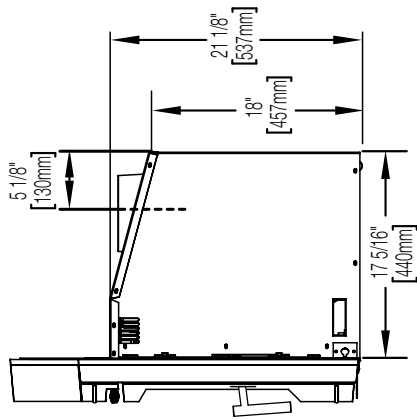
L'information contenue dans ce manuel est jugée correcte au moment de l'impression. Wolf Steel Ltée. se réserve le droit de modifier ou de modifier toute information dans ce manuel à tout moment sans préavis. Les modifications, autre que les éditoriaux, sont désignées par une ligne verticale dans la marge.

1.1 dimensions (avec contour)

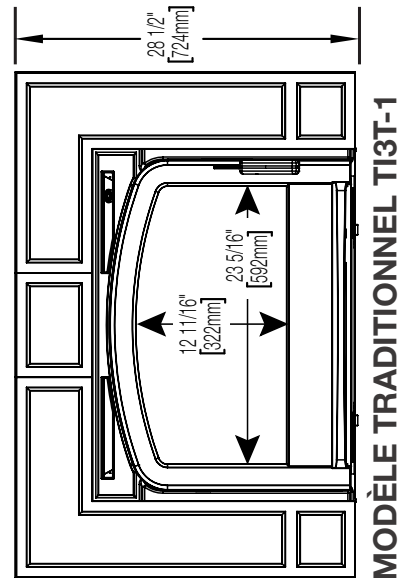
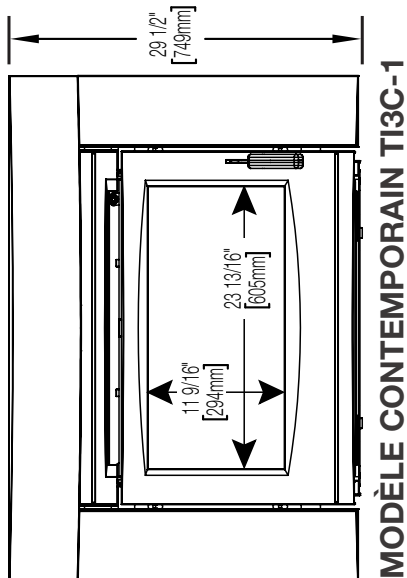
VUE DE DESSUS



VUE DE CÔTÉ DROITE



VUE DE FACE



information générale

FR

1.2 spécifications

Émissions	1,21 g/hr		
Efficacité	Total	LHV	HHV
	71,60%	77,07%	71,63%
Dimensions de vision (modèle Contemporain)	273,7 po. carré (1765,8 cm carré)		
Dimensions de vision (modèle Traditionnel)	278 po. carré (1793,5 cm carré)		
Chambre (P.H.L)	13 3/4" x 20 7/8" x 11 1/2" (349,3mm) x (530,3mm) x (292,1mm)		
Capacité	1.8 pi ³ (0,05 m ³)		
Surface chauffé approx.**	1500 pi ² (139,4 m ²)		
Débit de chaleur maximale***	55 000 BTU/Hr		
Débit de chaleur*	14 492 - 47 887 BTU/Hr		
Durée combustion lente**	8 Heures		
Poids sans briques	400 lbs (181,4 kg)		
Poids des briques	80 lbs (36,3 kg)		
Poids sans briques ou distribution de l'entoure (complet avec la porte)	250 lbs (113,4 kg)		
Hauteur de tas minimum ****	15 pieds (5,4m)		
Norme d'efficacité	B415.1-10		

* Comme testé en utilisant la méthode de test ALT-125.

** Ces données peuvent varier considérablement selon les conditions particulières.

*** BTU/hr réalistes estimés par Wolf Steel Ltée. avec des bûches de bois dur et un ravitaillement normal.

**** Requis afin d'atteindre un bon tirage.

1.3 instructions générales

- Avant d'installer cet appareil, contactez les autorités locales en bâtiment ou le service des incendies et votre compagnie d'assurance afin de vous conformer à leurs directives.
- De la fumée non toxique émanera de l'appareil lors du processus de cuisson de la peinture. Ouvrez une fenêtre à proximité de l'appareil pour aider à dissiper la fumée.
- Enlevez la poussière ou les débris sur le dessus de l'appareil avant de l'allumer car la peinture ramollira pendant que l'appareil se réchauffe et durcira pendant le processus de cuisson. Pour cuire la peinture, faites brûler l'appareil à feu modéré durant les quelques premiers allumages.
- Pour empêcher le joint d'étanchéité de coller à l'appareil lors de la cuisson de la peinture, ouvrez la porte de l'appareil toutes les 5-10 minutes.
- Durant les deux premières semaines, faites brûler l'appareil avec beaucoup de bois et ouvrez le contrôle de combustion au maximum pendant une heure pour permettre à l'appareil d'éliminer toute humidité dans l'acier et les briques réfractaires. La production de chaleur initiale sera réduite alors que l'humidité est chassée de l'appareil. Il sera nécessaire de faire plusieurs feux chauds pour éliminer cette humidité.
- **LORS DE CE PROCESSUS, NE SURCHAUFFEZ PAS L'APPAREIL. RÉDUISEZ L'APPORT D'AIR À L'APPAREIL SI CELUI-CI OU LA CHEMINÉE DEVIENNENT ROUGEYANTS.**

1.4 information générale

Cet appareil a été conçu afin de répondre spécifiquement aux exigences des normes d'émissions de particules de l'E.P.A. Américaine de 2020 et a subi un nombre considérable de tests dans des laboratoires Canadiens d'être efficace, simple et sans problème.

Cet appareil utilise exactement la même technologie de combustion propre qui se trouve dans tous les poêles Timberwolf certifiés EPA. Des modifications externes ont été apportées afin de permettre une installation comme « encastré fonctionnel » avec une soufflerie ainsi qu'en enfermant la cavité du foyer en maçonnerie pour assurer une efficacité de chauffage accrue.

Cet appareil doit être installé dans un foyer à combustible solide d'au moins 18" (45,7cm) de profondeur, sur 27" (68,6cm) de largeur, sur 22" (55,9cm) de hauteur, raccordé à un système de cheminée gainée approuvé d'au moins 15 pieds (4,6 m) de hauteur et ayant une base de protection de 18" (45,7cm). Cette profondeur minimale peut seulement être atteinte si la hauteur de l'ouverture est suffisante pour permettre au connecteur d'être installé sous la façade incombustible. La fabrication de l'appareil et de la cheminée doit être conforme aux normes des codes du bâtiment locaux et nationaux.

Pour favoriser la circulation adéquate des produits d'échappement, le système d'évacuation de la cheminée de l'appareil au bois doit être conçu de façon à minimiser les déviations. Les systèmes d'évacuation trop courts ou trop longs peuvent nuire à la circulation des produits d'échappement.

L'appareil au bois et le système d'évacuation de la cheminée doivent bénéficier d'un apport d'air comburant suffisant, non seulement pour alimenter la flamme dans la chambre de combustion, mais aussi pour favoriser un tirage adéquat. Un bon équilibre entre l'air comburant et le système d'évacuation de la cheminée optimisera la performance de votre appareil.

L'air secondaire pénètre par l'ouverture arrière, monte par l'arrière le long du tuyau d'air secondaire, jusqu'au collecteur installé au sommet, où l'air est propulsé latéralement pour oxyder les gaz sous la sortie de fumée.

La chambre de combustion inférieure est revêtue de briques réfractaires à haute température sur 2 côtés, l'arrière et le plancher. Le plafond est revêtu de déflecteurs en fibre afin de maintenir une température élevée dans la chambre de combustion. Ainsi, les gaz qui se mélangent à l'air préréchauffé dans le tuyau d'air secondaire s'allument et brûlent facilement. Les côtés et l'arrière de l'appareil sont munis d'une deuxième paroi de façon à diriger la chaleur vers le haut et vers l'avant dans la pièce.

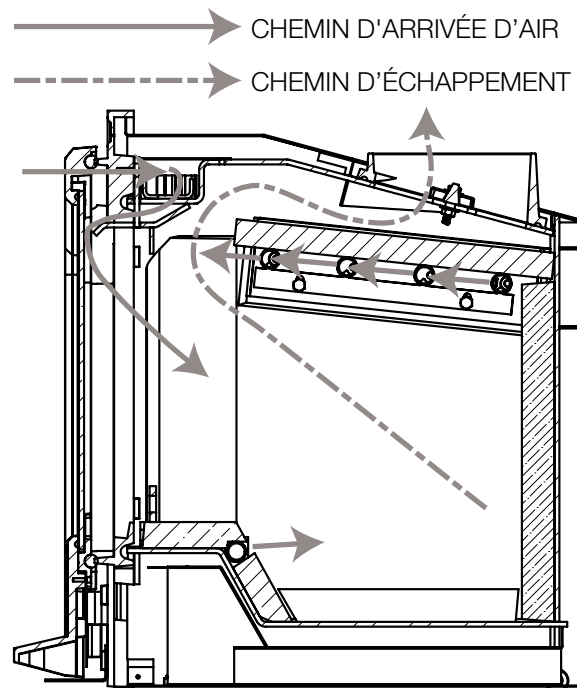
Assurez-vous qu'il y ait suffisamment d'air comburant. Dans la maison, beaucoup d'appareils doivent se partager l'air disponible, tels : les hottes de cuisinière, les systèmes de chauffage à air pulsé ou les ventilateurs de salle de bain.


Les bruits causés par l'expansion et la contraction lors des cycles de chauffage et de refroidissement sont tout à fait normaux et il faut s'y attendre.

Après de longues périodes sans utiliser l'appareil, telles qu'à la suite de vacances ou à la fin de l'été, il se peut qu'une légère odeur se dégage pendant quelques heures. Ceci est causé par des particules de poussière brûlant sur la chambre de combustion. Ouvrez une fenêtre afin d'aérer la pièce de manière suffisante.


Modèle TI3-1 est certifié selon les normes d'émission de particule de 2020 de l'Agence de Protection de l'Environnement (E.P.A.) en utilisant du bois de corde, 40 CFR partie 60 sous-partie AAA. Cet appareil a été testé par Polytests Ltée. et homologué by CSA Group à normes: ULC-S628 et UL 1482.

Lorsque l'appareil commence à fumer, ouvrez une porte, une fenêtre ou trouvez une autre façon de fournir de l'air comburant à l'appareil.




NATIONAL FIREPLACE INSTITUTE

CERTIFIED
www.nficertified.org

Nous suggérons que nos poêles à bois soient installés et entretenus par des professionnels certifiés aux États-Unis par le National Fireplace Institute® (NFI) et au Canada par le Wood Energy Technical Training (WETT).


Wood Energy Technical Training
www.wettinc.ca

information générale

1.5 information à propos de la plaque d'homologation



Reference Number:
161740

WOLF STEEL LTD.
24 NAPOLEON ROAD, BARRIE, ON
L4M 0G8 CANADA
NAC
214 BAYVIEW DRIVE, BARRIE, ON
L4N 4Y8 CANADA
WOLF STEEL USA
103 MILLER DRIVE
COTTLENDEN, KY 41030-7560
NAC GUANGZHOU P.R.C.
NO.69 HEFENG ROAD,
GUANGZHOU, CHINA

EPI3 / T13-1, LISTED SOLID FUEL BURNING FIREPLACE INSERT. TESTED TO ULC S628-93 / UL

WARNING: RISK OF SMOKE SPILLAGE. OPERATE ONLY WITH DOOR FULLY CLOSED. REPLACE GLASS ONLY WITH THE CERAMIC GLASS. DO NOT OVERFIRE. IF HEATER OR CHIMNEY CONNECTORS GLOW, YOU ARE OVERFIRING. INSPECT AND CLEAN CHIMNEY FREQUENTLY. UNDER CERTAIN CONDITIONS OF USE, CREOSOTE BUILD UP MAY OCCUR RAPIDLY.

BLOWER KIT: 115V, 60HZ, 1.5AMP. ROUTE CORD AWAY FROM UNIT.

DANGER: RISK OF ELECTRICAL SHOCK. DISCONNECT POWER BEFORE SERVICING UNIT.

CHIMNEY CONNECTOR: 6" (152mm)

DO NOT CONNECT THIS UNIT TO A CHIMNEY FLUE SERVING ANOTHER APPLIANCE.

FUEL: FOR USE WITH SOLID WOOD FUEL ONLY. DO NOT USE GRATE OR ELEVATE FIRE - BUILD WOOD FIRE DIRECTLY ON HEARTH.

INSTALL AND USE ONLY IN ACCORDANCE WITH THE MANUFACTURER'S INSTALLATION AND OPERATION INSTRUCTIONS. INSTALL AND USE ONLY IN MASONRY FIREPLACE OR FACTORY BUILT FIREPLACE. CONTACT LOCAL BUILDING OR FIRE OFFICIALS ABOUT RESTRICTIONS AND INSTALLATION INSPECTION IN YOUR AREA.

HEARTH EXTENSION/FLOOR PROTECTION: MUST BE NON COMBUSTIBLE AND HAVE A MINIMUM THICKNESS OF 0.5" WITH A THERMAL CONDUCTIVITY FACTOR (K) 0.84 AND RESISTANCE VALUE (R) 0.59. This wood appliance needs periodic inspection and repair for proper operation. Consult the owner's manual for further information. It is against united state federal regulations to operate this wood appliance in a manner inconsistent with the operating instructions on the user manual.

CAUTION:
HOT WHILE IN OPERATION. DO NOT TOUCH.
KEEP CHILDREN AND CLOTHING AND FURNITURE AWAY. CONTACT MAY CAUSE SKIN BURNS.

YEAR: 2019 2020 2021 2022 2023
MONTH: 1 2 3 4 5 6 7 8 9 10 11 12

MANUFACTURE DATE


U.S. ENVIRONMENTAL PROTECTION AGENCY
Certified to comply with 2020 particulate emission standards using cordwood.
40 CFR Part 60, Subpart AAA, 1.21 Grams Per Hour / 2020 Cordwood
Overall Efficiency: 71.6% / LHV: 77.07% / HHV: 71.63%

DATE CODE

EPI3

W385-2392 / B

Pour le français, l'étiquette arrière.




MINIMUM CLEARANCE TO COMBUSTIBLE MATERIALS:

A ADJACENT SIDEWALL 12"/305mm
B MANTEL 16"/406mm
C TOP FACING 16"/406mm
D SIDE FACING 6"/152mm

U.S. ENVIRONMENTAL PROTECTION AGENCY
Certified to comply with 2020 particulate emission standards using cordwood.
40 CFR Part 60, Subpart AAA, 1.21 Grams Per Hour / 2020 Cordwood
Overall Efficiency: 71.6% / LHV: 77.07% / HHV: 71.63%

DATE CODE

W385-2392 / B



No. de Référence:
161740

WOLF STEEL LTD.
24 NAPOLEON ROAD, BARRIE, ON
L4M 0G8 CANADA
NAC
214 BAYVIEW DRIVE, BARRIE, ON
L4N 4Y8 CANADA
WOLF STEEL USA
103 MILLER DRIVE
COTTLENDEN, KY 41030-7560
NAC GUANGZHOU P.R.C.
NO.69 HEFENG ROAD,
GUANGZHOU, CHINA

EPI3 / T13-1, FOYER ENCASTRÉ À COMBUSTIBLE SOLIDE HOMOLOGUÉ. TESTÉ SELON LES NORMES ULC S628-93 / UL 1482-2011

AVERTISSEMENT: RISQUE DE DÉCHAPPEMENT DE FUMÉE. TENIR LA PORTE FERMÉE LORSQUE LE FOYER FONCTIONNE. NE BRÛLEZ LA VITRE PAR UNE VITRE EN CÉRAMIQUE SEULEMENT. NE SURCHAUFFEZ PAS L'APPAREIL. SI L'APPAREIL OU LES RACCORDS ROUGEENT, L'APPAREIL SURCHAUFFE. INSPECTEZ ET NETTOYEZ LA CHIMÈNEE FREQUENTEMENT. UNDER CERTAIN CONDITIONS OF USE, CREOSOTE BUILD UP MAY OCCUR RAPIDLY.

SOUELETTRE: 115V, 60HZ, 1.5AMP. TENEZ LE CORDON ELECTRIQUE LOIN DE L'APPAREIL.

DANGER: RISQUE DE SECOURS ELECTRIQUE. DEBRANCHEZ AVANT DE PROCEDER A L'ENTRETIEN.

RACCORDEMENT DE CHEMINEE: 6" (152mm) NE PAS SE BRANCER A LA CHEMINEE D'UN AUTRE APPAREIL.

COMBUSTIBLE: POUR USAGE AVEC LE BOIS CHENET OU NE SURELEVEZ PAS SOLIDE SEULEMENT. N'UTILISEZ PAS DE LE BOIS -PREPAREZ LE FEU DIRECTEMENT SUR L'ATRE.

INSTALLER ET UTILISER SELONS LES INSTRUCTIONS DU FABRICANT. INSTALLER ET UTILISER DANS UN FOYER DE MACONNERIE OU PREFABRIQUE. APPELER VOTRE INSPECTEUR DE BATIMENT OU LE DEPARTMENT D'INCENDIE LOCAL POUR LES CODES LOCAUX ET POUR INSPECTEE VOTRE INSTALLATION ET FOYER.

BASE DE PROTECTION/ PROTECTION DE PLANCHER: DOIT ETRE INCOMBUSTIBLE ET AVOIR UNE EPAISSEUR MINIMALE DE 0.5" AVEC UN COEFFICIENT DE CONDUCTIVITE THERMIQUE (K) DE 0,84 ET UN COEFFICIENT DE RESISTANCE THERMIQUE (R) DE 0,59. Cet appareil au bois doit faire l'objet d'une inspection et d'un entretien périodiques pour un fonctionnement adéquat. Consultez le manuel d'instructions pour plus d'information. Les règlements fédéraux de l'Etat-Unis interdisent d'utiliser cet appareil de chauffage d'une manière allant à l'encontre des instructions de fonctionnement contenues dans ce manuel.

ATTENTION:
QUAND L'APPAREIL FONCTIONNE, LA SURFACE DEVIENT CHAUDE. NE PAS TOUCHER. TENIR LES ENFANTS, LES VÊTEMENTS ET LES MEUBLES À L'ÉCART. LE CONTACT PEUT CAUSER DES BRÛLURES À LA PEAU.

YEAR: 2019 2020 2021 2022 2023
MONTH: 1 2 3 4 5 6 7 8 9 10 11 12


MANUFACTURE DATE

U.S. Environmental Protection Agency
Certified conform to the norme d'émission de particules de 2020.
40 CFR Part 60, Subpart AAA, 1.21 Grams per hour / Bois de Cordes 2020
Efficacité Totale: 71,6% / LHV: 77,07% / HHV: 71,63%

Pour la date et le numéro de série, voir le revers.

W385-2393 / B

For English see Reverse



DEGAGEMENTS AUX MATÉRIEAUX COMBUSTIBLES:

A CÔTÉ 12"/305mm
B DESSUS 16"/406mm
C TABLETTE 16"/406mm
D MUR LATÉRAL 6"/152mm

U.S. Environmental Protection Agency
Certified conform to the norme d'émission de particules de 2020.
40 CFR Part 60, Subpart AAA, 1.21 Grams per hour / Bois de Cordes 2020
Efficacité Totale: 71,6% / LHV: 77,07% / HHV: 71,63%

Pour la date et le numéro de série, voir le revers.

W385-2393 / B

Cette illustration est à titre de référence seulement. Consultez la plaque d'homologation pour obtenir l'information précise. Pour le Française, retirez la plaque d'homologation, la-tournez vers l'autre côté, puis la-fixez encore.

note:

La plaque d'homologation doit rester avec l'appareil à tout instant. Elle ne doit pas être enlevée.

2.0 planification de l'installation

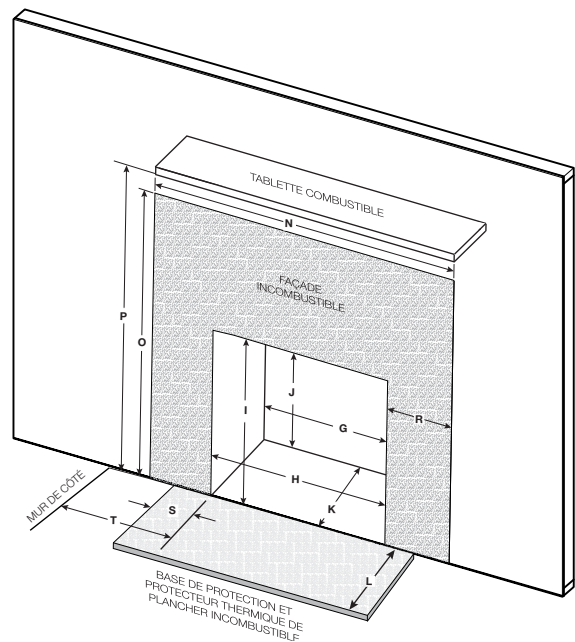
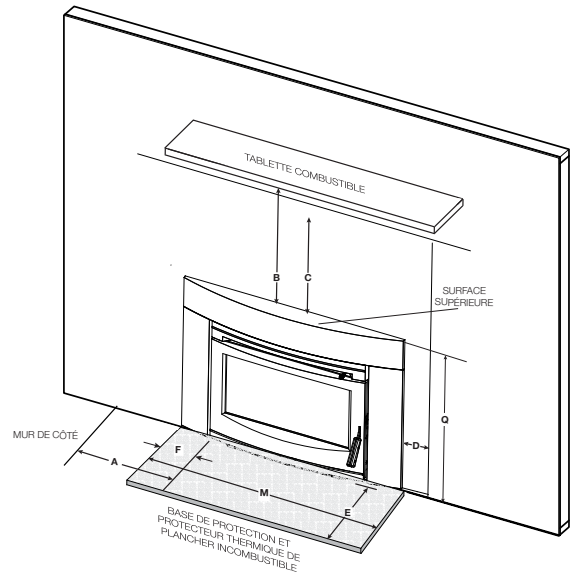
FR

Débarrassez l'intérieur du foyer de toutes ses cendres. Assurez-vous que la cheminée et l'appareil sont exempts de fissures, de mortier lâche, de dépôts de créosote, d'obstructions ou d'autres signes de détérioration. Si nécessaire, faites effectuer toutes les réparations par un professionnel avant d'installer l'appareil.

NE RETIREZ PAS de mortier ni de briques du foyer en maçonnerie. S'il y a une prise d'air extérieur ou une chute à cendres, remplissez-les avec de l'isolant en fibre de verre. Maintenez les dégagements minimaux aux matériaux combustibles tel qu'illustré.

2.1 dégagements minimaux aux matériaux combustibles

DÉGAGEMENTS MINIMAUX		
A	Mur de côté	12" (30,5cm)
B	Tablette	16" (40,6cm) 12" (30,5cm) Projection
C	Façade supérieure	16" (40,6cm)
D	Façade latérale	6" (152mm)
E	Base de protection (avant)	Canada 18" (45,7cm) USA 16" (40,6cm)
F	Base de protection (côté)	8" (203mm)
DIMENSIONS MINIMALES DE L'APPAREIL		
G	Largeur (arrière)	23" (58,4cm)
H	Largeur (avant)	28" (71,1cm)
I	Hauteur (avant)	22" (55,9cm)
J	Hauteur (arrière)	19" (48,3cm)
K	Profondeur	18" (45,7cm)
L	Profondeur de la base de protection	Canada 22" (55,8cm) É.U. 20" (50,8cm)
M	Largeur de la base de protection	46" (116,8cm)
N	Largeur de la façade	54 1/2" (138,4cm)
O	Hauteur de la façade	Contemporain 45 1/2" (115,5cm) Traditionnel 44 1/2" (113 cm)
P	Tablette	Contemporain 45 1/2" (115,5cm) Traditionnel 44 1/2" (113cm)
Q	Hauteur de la façade	Contemporain 29 1/2" (74,9cm) Traditionnel 28 1/2" (72,3cm)
R	Façade latérale	13 1/4" (33,6cm)
S	Base de protection (côté)	9" (22,8cm)
T	Mur de côté	13" (33cm)



planification de l'installation

FR

2.2 base de protection / protecteur thermique de plancher incombustible

Base de protection / protecteur thermique de plancher incombustible doit être fait de matériaux incombustibles. Ils doivent répondre aux spécifications suivantes:

- Une extension minimum à l'avant de l'encastrement de:
 - Canada: 18" (45,7cm)
 - États-Unis: 16" (40,6cm)
- Une extension minimum de 8" (203mm) à les 2 côtés de l'encastrement
- Une épaisseur de 0,5" (13mm)
- Un facteur de conductivité thermique de (K*) 0,84; et
- Une valeur de résistance de (R*) 0,59

* Pour plus d'information, voir la tableau ci-dessus.

CONVERSION DES SPÉCIFICATIONS DU MATÉRIEL EN COEFFICIENT R ET K.

R = Épaisseur / Coefficient K

K = Épaisseur / Coefficient R

TABLEAU DE COEFFICIENTS K ET R COURANTS		
MATÉRIEL	COEFFICIENT K	COEFFICIENT R
	Par pouce	Par pouce
Panneau de fibre minérale Micore 300	0,43	2,33
Wonderboard (Panneau de ciment)	1,92	0,52
Brique	5,00	0,20
Mortier de ciment	5,00	0,20
Carreaux de céramique	12,50	0,08
Marbre	11,00	0,09
Couche d'air (ventilé)	0,70	1,43
Sable et gravier	1,70	0,59
Cloison sèche (gypse)	1,00	1,00
Panneau de laine minérale ou de fibre de verre	0,30	3,33

En matière de conductivité thermique (coefficient K), le coefficient plus bas est plus efficace. Alors que dans le cas de la résistance thermique (coefficient R), plus le coefficient plus élevé est meilleur.

Exemple de coefficient K :

Supposons qu'un poêle à bois nécessite une protection thermique avec un coefficient K de 1 ou moins et que nous optons pour un matériau tel que le panneau de fibre minérale Micore 300 d'USG. Comme le coefficient K de ce matériau est d'environ 0,43 par pouce, un panneau de 1/2" (12,7mm) d'épaisseur présenterait un coefficient K de 0,86, ce qui respecterait la spécification de notre poêle.

Exemple de coefficient R :

Supposons qu'un poêle ou un foyer nécessitent une protection thermique avec un coefficient R de 1,5. Étant donné que le coefficient R d'un panneau Micore 300 d'une épaisseur de 1" (25,4mm) est évalué à 2,33, alors un panneau de 1/2" (12,7mm) d'épaisseur respecterait la spécification de notre poêle ou foyer.

! AVERTISSEMENT

- Portez des gants, chaussures et des lunettes de protection.
- Suivez attentivement les instructions pour l'assemblage de la cheminée et des autres composants nécessaires à l'installation de l'appareil. Toute omission pourrait causer un incendie, particulièrement si des matériaux combustibles sont trop près de l'appareil ou de la cheminée et que des ouvertures d'air sont bloquées, empêchant la libre circulation de l'air de refroidissement.
- N'installez pas la prise d'air extérieur dans le garage. Les produits d'échappement provenant des moteurs à essence sont dangereux. N'installez pas la prise d'air extérieur dans un grenier, un sous-sol ou au-dessus du toit où d'autres appareils de chauffage, des ventilateurs et des cheminées évacuent ou tirent de l'air. Ces mesures réduiront les possibilités de refoulement de fumée ou une inversion du débit d'air. L'entrée de la prise d'air doit demeurer dégagée de feuilles, de débris, de glave ou de neige. Elle doit être dégagée lorsque l'appareil fonctionne afin que la pièce ne soit pas privée d'air, ce qui peut causer des refoulements de fumée ou une incapacité à maintenir un feu. Les refoulements de fumée peuvent aussi déclencher les détecteurs de fumée.
- Une pression négative dans la maison pourrait nuire au rendement de l'appareil.
- Afin d'éviter tout contact avec de l'isolant qui s'affaisse, l'appareil ne doit pas être installé contre un coupe-vapeur ou de l'isolant à découvert. Une surchauffe localisée peut survenir et un incendie pourrait s'ensuivre.
- N'utilisez pas de compromis de fortune lors de l'installation. N'obstruez pas, entièrement ni partiellement, les ouvertures d'air, les grilles ou les persiennes. N'ajoutez pas de hotte.
- Pour prévenir des blessures, gardez vos outils à main en bon état, affutez les tranchants et assurez-vous que les manches sont solides. En tout temps, conservez l'espace vide minimal requis à l'enceinte afin de prévenir les incendies.
- Vérifiez avec les responsables de la construction locale pour les permis requis pour l'installation de cet appareil et notifié votre compagnie d'assurance avant de procéder.

Il est extrêmement important que l'appareil soit installé selon les spécifications du fabricant, aussi bien que des normes locales et nationales.

En Canada, les codes d'installation sont:

- CSA B365 et
- CSA C22

En États-Unis, les codes d'installation sont:

- ANSI NFPA 70 et
- ANSI NFPA 211

note:

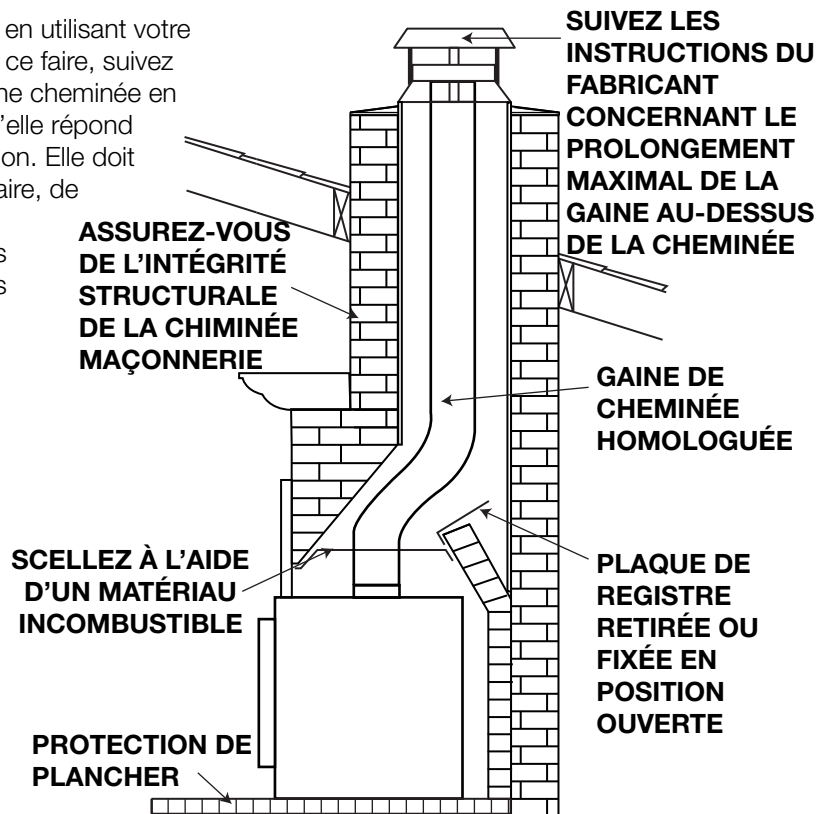
La cheminée et le conduit de raccordement doivent être gardés en bonne condition et propres.

installation

FR

3.1 installation typique dans une cheminée de maçonnerie existante

Vous pouvez aussi installer votre appareil en utilisant votre cheminée de maçonnerie existante. Pour ce faire, suivez les directives suivantes. Si vous utilisez une cheminée en maçonnerie, vous devez vous assurer qu'elle répond aux normes de construction de votre région. Elle doit être construite de briques d'argile réfractaire, de tuiles de métal ou d'argile cimentées ensemble avec du ciment réfractaire. (Les conduits de cheminée ronds sont les plus efficaces.)



- A. Retirez le registre du foyer ou fixez-le en position ouverte de façon permanente.

note:

Nous recommandons la méthode suivante pour sceller la section du registre autour de la gaine.

- B. Mesurez la gorge du foyer, puis tracez sa forme sur un morceau de tôle de calibre 24 (0,6mm) (couvercle de carneau). Découpez une ouverture de 6,75" (171,5mm) de diamètre, afin qu'elle repose directement sous l'ouverture du carneau du foyer. Allouez un surplus de 2 pouces (50,8mm) de matériel de tous les côtés pour les brides et découpez selon ces dimensions. Pliez les brides vers le bas.

INDICE: Si c'est la première fois que vous faites ceci, il serait bon de faire d'abord un modèle en carton et de le tester.

Placez le couvercle en position, aussi haut que possible, à l'aide de 2 vis à maçonnerie fixées au foyer de chaque côté du couvercle, à travers les brides.

- C. D'une façon permanente sceller toutes ouvertures entre la maçonnerie du cheminée et la maçonnerie de revêtement.

Au Canada : Passez une gaine flexible en acier inoxydable de 6 pouces (152,4mm) de diamètre, du haut de la cheminée au collet de la buse de l'appareil. Le gaine flexible doit être conforme à la Classe 3 conditions de CAN/ULC-S635, Standard for Lining Systems for Existing Masonry or Factory-Built Chimneys and Vents, or CAN/ULC-S640, Standard for Lining Systems for New Masonry Chimneys. Il doit être installé comme suit:

- A. Placez un raccord ou un coude en acier inoxydable sur la gaine et insérez-le sur le collet de la buse de l'appareil.
- B. Fixez à l'aide de 3 vis.
- C. Fixez le haut de la gaine au chapeau de la cheminée à l'aide d'un support de gaine et d'un solin pour cheminée.
- D. Protégez le haut de la cheminée avec un chapeau certifié.

Aux États-Unis : Même si ce n'est pas obligatoire, il est conseillé que la gaine de cheminée soit continue entre l'encastré et le sommet de la cheminée, particulièrement lorsque l'encastré est installé dans un sous-sol. Pour ce genre de raccordement, reportez-vous aux instructions d'installation « Au Canada », ci-dessus.

Si une gaine continue n'est pas installée, un raccordement direct à la buse de l'appareil doit être installé. Un raccordement direct à la buse requiert qu'un conduit incombustible soit installé de l'encastré jusque dans le conduit de la cheminée et que le couvercle de carneau installé soit scellé sous le point d'entrée du raccord afin de prévenir la dilution des produits de combustion, dans le conduit de la cheminée, avec l'air à l'intérieur de la maison. Protégez le haut de la cheminée avec un chapeau certifié.

Les contraintes d'installation suivantes doivent être respectées lorsque vous installez un encastré à combustible solide dans un foyer préfabriqué.

3.2 installation de l'TI3-1

A. l'orientation du conduit de cheminée

Avant l'installation, si possible, déterminer le type d'orientation qui travaille le mieux avec votre appareil.

L'orientation de le conduit de cheminée peut être dans une position verticale, ou vous pouvez choisir aussi de tenir le compte d'un 30 degré en une arrière angle en tournant le conduit de cheminée 180 degrés, en haut de l'appareil.

En choisissant la méthode de nettoyage pour votre cheminée nous recommandons de nettoyer par le sommet, le bouchon de cheminée, en descendant. Cette façon la barre au centre du conduit de cheminée protège le déflecteur en fibre dans l'appareil de n'importe quels dommages la brosse de cheminée peut causer. Toutefois, si le nettoyage doit être fait de dans la maison, coupant la barre de centre dans le conduit de cheminée peut être faite utiliser une coupe de métal échangeant ou une scie.

B. installation d'une système d'évacuation

note:

Nous recommandons que l'installation du connecteur ou flue liner ait complété avant continuer, cependant ceci peut différer dépend de votre application. Voir la **Figure 1** pour les composants de la système d'évacuation.

1. Enlever le tuyau d'air au devant pour gagner l'accès à la fibre confond, et alors aussi enlever la déflecteur en fibre.
2. Enlever le conduit de fer du cheminée de l'appareil. Garantir que le joint est à sa place, et dans la bonne condition.
3. Entraîner 3 trous dans le tuyau d'adaptateur ou le paquebot de conduit qui utilise les trous dans le conduit de fer comme un guide. Fixé le tuyau d'adaptateur, ou le paquebot de conduit aux conduit du cheminée. Faites attention pour garantir que les clous sur le col de conduit sont alignés à leurs trous respectifs sur l'insertion.
4. Utiliser la méthode précédemment fixé le tuyau flexible au tuyau d'adaptateur.
5. Les mesures finies de l'hauteur du base de protection à la barre de centre du conduit du cheminée devrait être 19" (483mm), voir **Figure 2** pour les détails sur l'installation du tuyau de connecteur ou le paquebot. Ceci permet une connexion facile, une fois que l'appareil soient en place.

Fig. 1

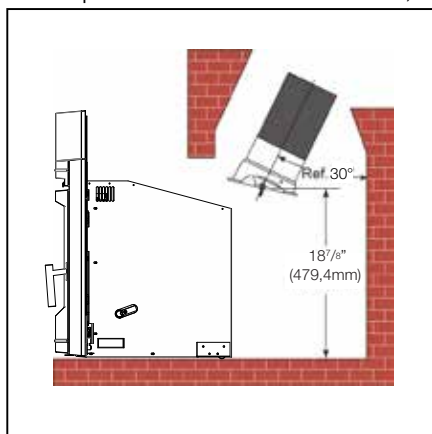
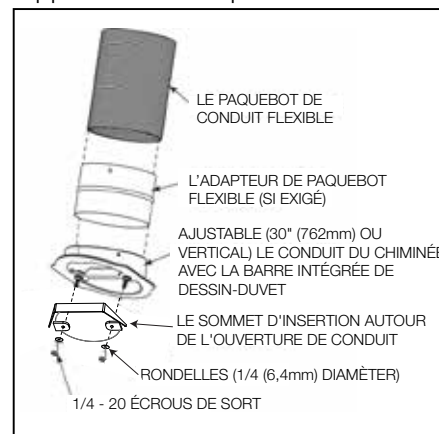


Fig. 2



3.3 foyer préfabriqué

Les contraintes d'installation suivantes doivent être observées lorsque vous installez des encastrés à combustible solide dans des foyers préfabriqués.

- A. Le foyer préfabriqué doit être homologué selon les normes UL 127 ou ULC S610.
- B. Les dégagements aux matériaux combustibles entourant l'encastré doivent être respectés, comme démontré. Ces contraintes de dégagement remplacent toutes les autres contraintes de dégagement préexistantes pour les foyers préfabriqués.
- C. L'installation doit inclure une cheminée pleine longueur homologuée, respectant les contraintes de hautes températures (2100°F/1149°C) selon la norme UL 1777 (États-Unis) ou la norme ULC S635 (Canada). La gaine doit être solidement fixée à la buse de l'encastré et au sommet de la cheminée.
- D. Des mesures doivent être prises afin d'empêcher le passage de l'air de la pièce dans la cavité du foyer. Ceci peut être accompli en scellant la région du registre autour de la gaine de la cheminée ou en scellant la façade du foyer.
- E. L'installation de l'encastré ne doit pas modifier la circulation d'air à l'intérieur ou autour de l'appareil (c.-à-d. les persiennes, la prise d'air et la sortie d'air doivent être libres de toutes obstructions), à moins d'avoir été testés et approuvés par le fabricant spécifiquement pour chaque modèle.

note:

L'utilisation d'une façade à persiennes respecte cette exigence.

- F. Aucune modification à l'appareil n'est permise, à l'exception des cases suivants :
 - A. Des moulures extérieures qui n'affectent pas le fonctionnement de l'appareil peuvent être retirées, pourvu qu'on puisse les ranger et les réinstaller si l'encastré est retiré.
 - B. Le registre de la cheminée peut être retiré pour permettre l'installation de la gaine de cheminée.
- G. Les espaces d'air de convection (c.-à-d. dans les chemisages en acier ou les caissons métalliques) ne doivent pas être bloqués.
- H. Prévoyez les moyens nécessaires pour retirer l'encastré afin de nettoyer le conduit de la cheminée.
- I. Les encastrés installés en projection doivent être supportés de façon appropriée.
- J. Une étiquette de mise en garde, en métal, doit être apposée de façon permanente à l'arrière du foyer stipulant que, lorsque l'encastré est retiré, le foyer doit être remis à son état original afin d'en faire un usage sécuritaire.

4.1 tuyaux d'air secondaire

- A.** En commençant à l'arrière de la chambre de combustion avec le tuyau d'air le plus petite et procédant vers l'avant, installez le tuyau d'air secondaire par premièrement insérez chacun des tuyaux dans le trou au côté gauche de la chambre de combustion et puis dans le trou correspondant sur le côté droite, alignez l'encoche avec l'étiquette, glissez-le tout au droite puis insérer l'épingle de goupille fendue pour obtenir le tuyau à sa place (**Fig. 1**).
- B.** Insérez la goupille pour fixer le tube en place (**Fig. 2**).

note:

Nous recommandons laissant le tube de devant jusqu'à ce que le déflecteur en fibre été installé.

Fig. 1

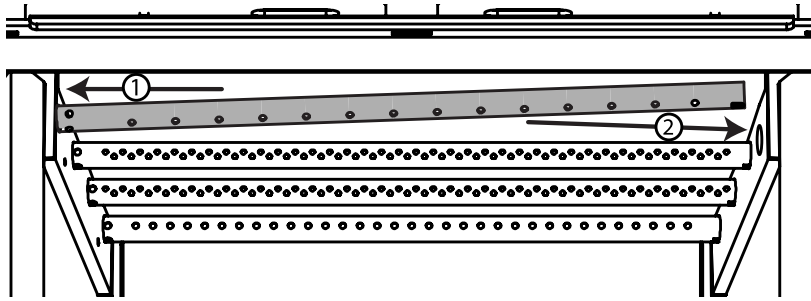
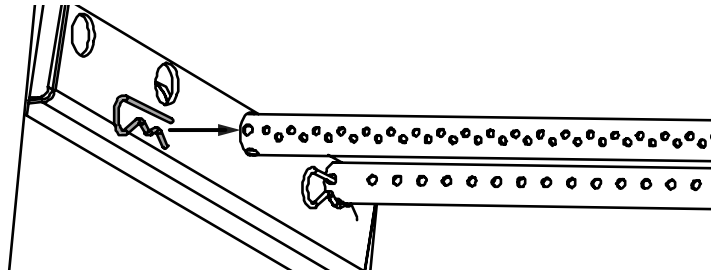


Fig. 2



! AVERTISSEMENT

- L'utilisation de l'appareil sans les déflecteurs peut causer des température excessives qui pourraient endommager l'appareil, la cheminée et l'enceinte.

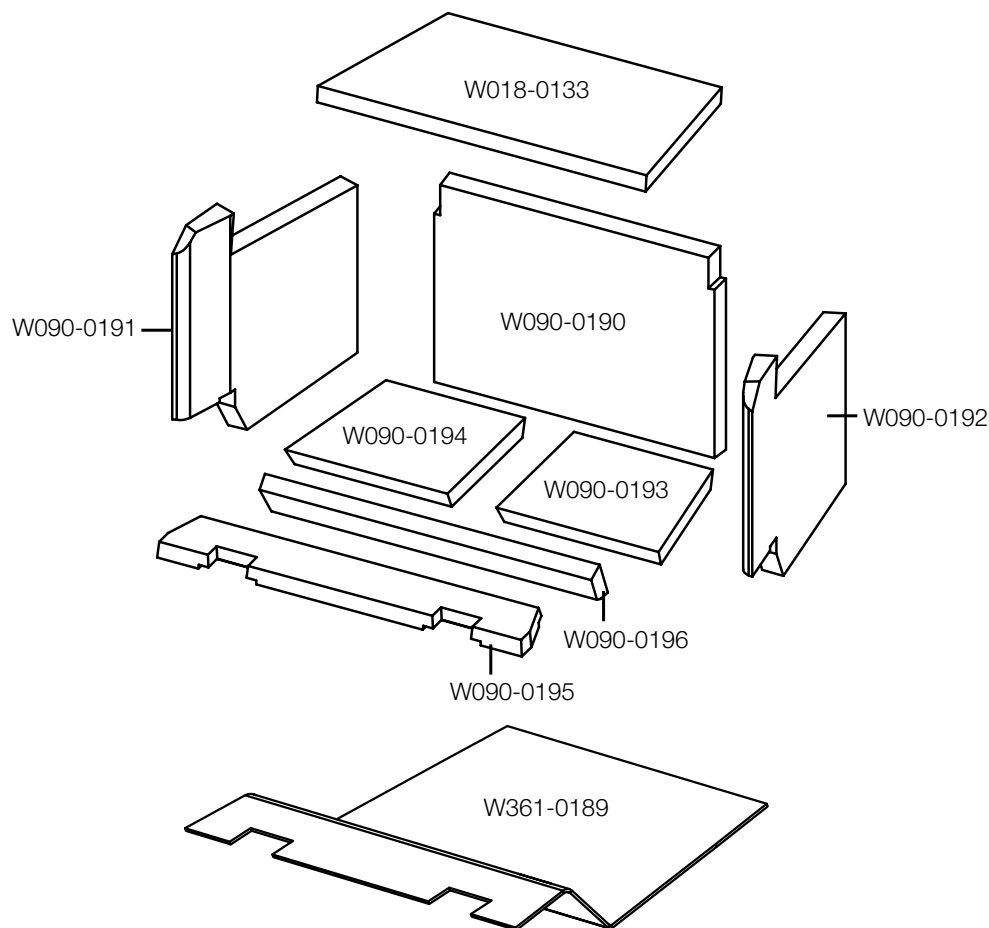
note:

Avant de procéder, assurez-vous que l'isolant du caisson (W361-0189) est en bon état. Remplacez si nécessaire.

- Installez les 2 briques (W090-0191, W090-0192) contre les côtés de la chambre de combustion. Les-fixez avec les provisions.
- Installez la brique (W090-0190) par la-glissez en dessous et derrière du tuyau d'air secondaire. La-fixez avec les provisions.
- Installez les deux briques inférieures (W090-0193, W090-0194).
- Glissez la brique avant (W090-0196) en place devant les briques inférieures avec le bord incliné l'éclat avec les briques inférieures.
- Installez la brique (W090-0195) pour que les encoches alignent avec les entailles de grille de feu.
- Placez le déflecteur en fibre (W018-0133) sur les tuyaux d'air secondaire et les-glissez à l'arrière de la chambre de combustion.

note:

Étape F peut exiger que le tuyau d'air secondaire soient enlevé.

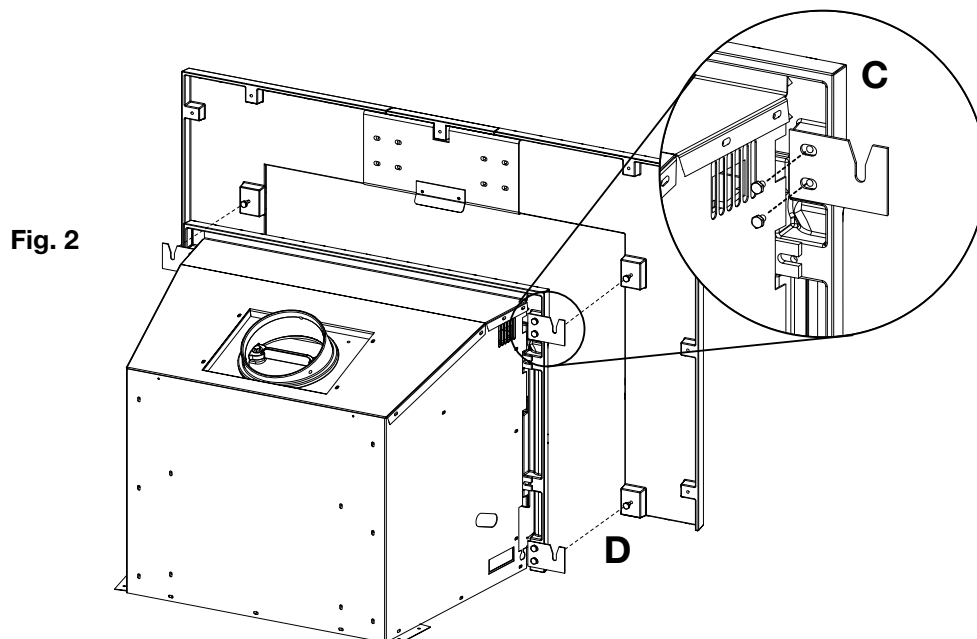
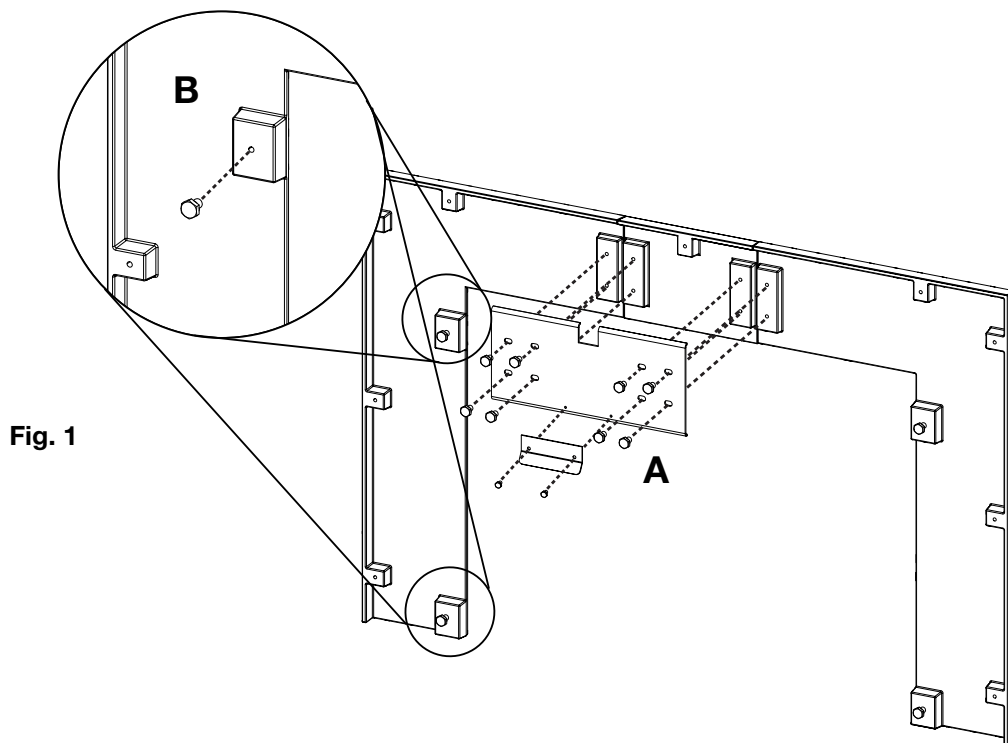


4.3 installation de contour, traditionnel

- A. Placez les 2 contour de côté et le contour de centre avec les faces en bas sur une surface protégée et assemblez des morceaux comme indiqués (**Fig. 1**).
- B. Alignez les trous du contour avec les trous dans les crochets et vissez les crochets à sa place (**Fig. 1 A**).
- C. Vissez les 4 vis, détachement, dans les trous (**Fig. 1 B**). Répétez sur l'autre côté.
- D. En utilisant les 2 vis fournies, vissez le support du pare-étincelles à l'appareil (**Fig. 2 C**).
- E. Soulevez le contour et placez les vis dans les supports du pare-étincelles et resserrez entièrement (**Fig. 2 D**).

note:

Pour que les joints soient bien ajustés, des réglages pourraient être nécessaires. Pour ajuster les composantes en fonte, desserrez les vis, puis alignez les pièces à la position voulue.



finitions

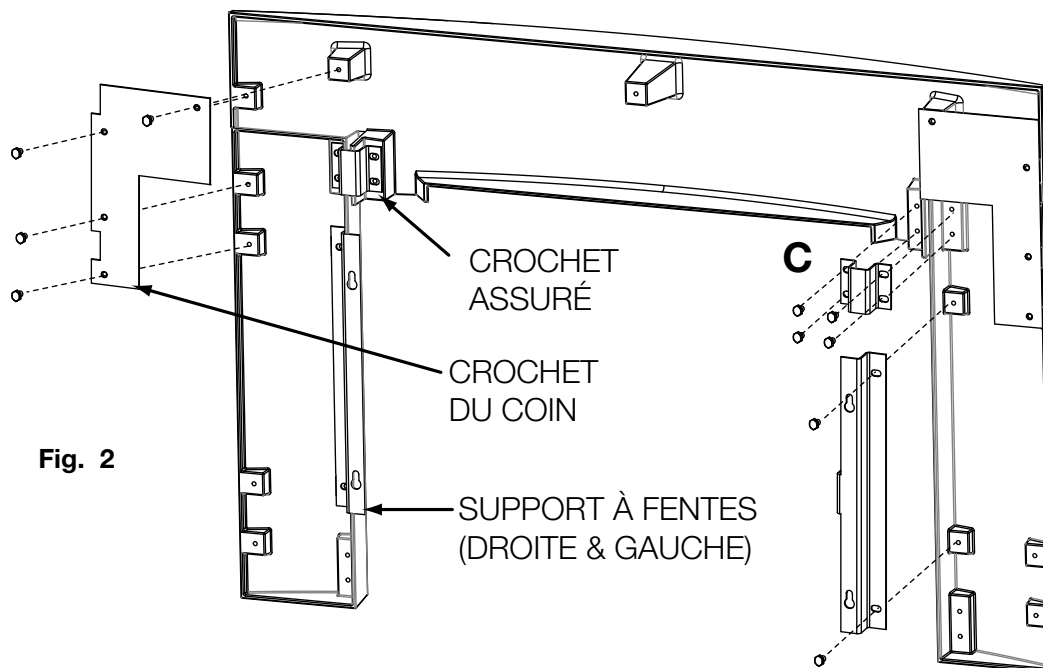
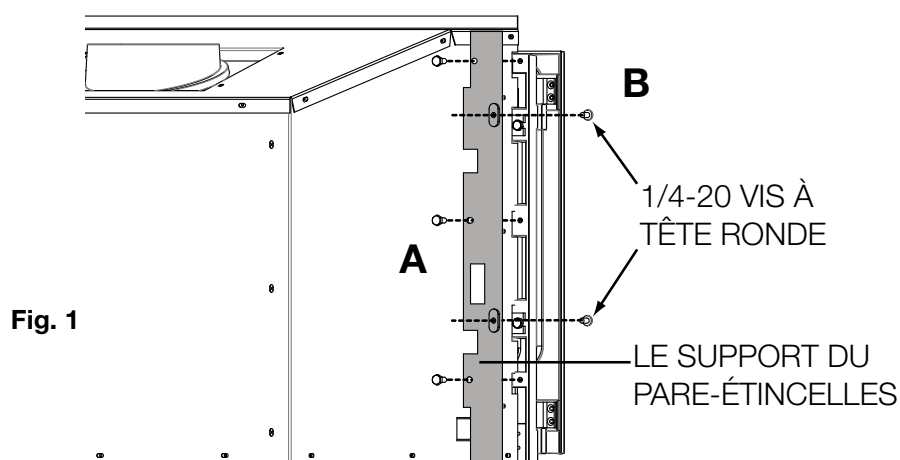
FR

4.4 installation du contour, contemporain

- A.** Alignez les 3 trous sur le support du pare-étincelles avec les trous correspondants sur le côté droite de l'appareil. Vissez à sa place en utilisant les 1/4-20 vis à tête ronde (**Fig. 1 A**).
- B.** Utilisez les 1/4-20 vis à tête ronde, enfitez la vis approximativement 1/2 de sa longueur dans le support à fentes (2 par côtés) (**Fig. 1 B**).
- C.** Placez le contour avec la face en bas sur une surface protégée et assemblez (**Fig. 2**).
- D.** Attachez les crochets assurés (**Fig. 2 C**).
- E.** Vissez les crochets du coin à sa place comme indiqué sur les 2 côtés du contour (**Fig. 2 D**).
- F.** Soulevez le contour et placez les supports à fentes sur le 1/4-20 vis à tête ronde et repose le contour à sa place (**Fig. 2**). Ajustez les vis comme nécessaire de stabiliser le contour.

note:

Pour que les joints soient bien ajustés, des réglages pourraient être nécessaires. Pour ajuster les composants en fonte, desserrez les vis, puis alignez les pièces à la position voulue.



AVERTISSEMENT

- Faites toujours fonctionner cet appareil avec la porte fermée et verrouillée sauf durant l'allumage et le ravitaillement. Portez toujours des gants pour prévenir les blessures. Ne laissez pas l'appareil sans supervision lorsque les portes sont déverrouillées. Du bois instable pourrait tomber hors de la chambre de combustion et créer un risque d'incendie.
- Ne laissez jamais les enfants sans surveillance lorsqu'un feu brûle dans l'appareil.
- N'utilisez jamais d'essence de combustible à lanterne, de kérosène, d'essence à briquet ou d'autres liquides pour allumer ou raviver un feu dans cet appareil. Gardez tous ces liquides éloignées de l'appareil lorsque celui-ci fonctionne.
- Les objets placés devant l'appareil doivent être gardés à une distance d'au moins 48 pouces (121,9cm) de face face vitrée.
- Tout modification apportée à l'appareil qui n'a pas été préalablement approuvée par écrit par le laboratoire d'essai est considéré comme une violation des normes CSA B365 (Canada) et ANSI NFPA 211 (É.U.).
- Ouvrez le contrôle de combustion (et le registre s'il y a lieu) avant d'ouvrir la porte de l'appareil.
- L'appareil est chaud lorsqu'il fonctionne. Tenir les enfants, les vêtements et les meubles à l'écart. Le contact peut causer des brûlures. Portes des gants lorsque vous opérez votre appareil.
- Faire fonctionner cet appareil avec les portes ouvertes ou entrouvertes crée un risque d'incendie de cheminée ou du domicile.
- Cet appareil au bois possède un taux minimal de combustion établi par les fabricants qui ne doit pas être modifié. Les règlements fédéraux interdisent en États-Unis de modifier ce réglage ou d'utiliser cet appareil de chauffage d'une manière allant à l'encontre des instructions de fonctionnement contenues dans ce manuel.

Votre appareil Timberwolf certifié aux normes EPA est un appareil de haute technologie conçu selon les principes technologiques les plus avancés. Cet appareil est extrêmement hermétique.

note:

Le(s) premier(s) feu(x) de l'appareil sera/seront difficile(s) à partir et à maintenir tout en produisant qu'un peu de chaleur. Ceci est le résultat de l'humidité émanant des briques réfractaires. Durant la période de rodage (les premiers 2 ou 3 feux), ne faites que des petites feux en utilisant du bois d'allumage; cela permettra à la brique de se conditionner.

ATTENTION: Lorsque vous créez un feu vif pendant la période de rodage, les risques d'incendies sont possibles, y compris les explosions. Faites attention.

Ne vous inquiétez pas si de petites fissures apparaissent dans les briques réfractaires. Cela est normal et ne pose aucun danger à la sécurité. La peinture peut également produire de légères émanations pendant les premiers feux à cause du processus de cuisson; vous devrez ouvrir une porte ou une fenêtre pour chasser les odeurs.

CRÉER UN FEU VIF (APRÈS QUE L'APPAREIL A CONDITIONNÉ)

- Placez des morceaux de papier grossièrement chiffonnés sur le plancher de l'appareil et couvrez-les de bois d'allumage.
- Ouvrez complètement le contrôle de combustion en le déplaçant complètement à gauche.
- Allumez le papier et laissez la porte légèrement entrouverte (un pouce [25,4mm]) jusqu'à ce que tout le bois d'allumage soit enflammé.

note:

Pour maintenir un feu vif, un lit de braises doit se former et être entretenu.

- Lentement, ajoutez des morceaux de bois plus gros (2" x 4"). Posez les morceaux dans le lit de braises, parallèlement à l'arrière de l'appareil, tout en gardant une tranchée peu profonde entre les morceaux de bois. Ainsi, l'air comburant primaire circulera directement dans la tranchée et allumera le bois.
- Lorsque la flambée semble à son maximum, des bûches de dimensions moyennes peuvent être ajoutées. Une fois que ces morceaux ont pris feu, fermez la porte doucement.

note:

Le fait de fermer la porte immédiatement après le chargement entraînera une diminution de température dans la chambre de combustion et se traduira par une combustion insatisfaisante.

INDICE: Rappelez-vous qu'il est plus efficace de brûler des morceaux de bois de dimensions moyennes à feu vif et de recharger plus souvent, que d'alimenter l'appareil avec des gros morceaux qui produiront un feu languissant et inefficace qui salira la vitre.

note:

Une fois que la porte est fermée, vous observerez un changement dans le comportement des flammes. Elles deviendront plus petites et plus paresseuses parce que le volume d'oxygène qui entre dans la chambre de combustion est moindre. Cependant, les flammes sont plus efficaces. Elles continueront d'être paresseuses, mais redeviendront plus grandes dès que les briques réfractaires auront été complètement réchauffées et que la cheminée deviendra plus chaude, produisant ainsi un meilleur tirage. À ce stade, les grandes flammes que vous observez lorsque la porte est ouverte tirent inutilement l'air réchauffé de la pièce dans la cheminée - une situation qui est certes indésirable. C'est pourquoi il faut toujours faire fonctionner l'appareil avec la porte complètement fermée lorsque les morceaux de bois de dimensions moyennes sont enflammés. Fonctionner l'appareil avec la porte ouverte pour les périodes prolongées peut résulter aux dommages à l'appareil.

- F. Commencez d'ajouter de plus gros morceaux de bois et faire fonctionner l'appareil normalement.
- G. Vous pouvez sans crainte remplir la chambre de combustion avec du bois jusqu'au sommet de la porte si un espace de 1/4" (6,4mm) est maintenu jusqu'aux les tubes d'air secondaires.

note:

Une fois que l'appareil est complètement réchauffé, il brûlera très efficacement en laissant échapper que très peu de fumée par la cheminée. Il y aura un lit de braises orangées dans la chambre de combustion et les flammes secondaires sautilleront juste au-dessous des déflecteurs supérieures.

Voir la section « guide de dépannage » lorsque vous recontrez les problèmes de fonctionnement.

5.1 méthode pour assurer une combustion optimale

- A. Maintenez une couche de braises chaudes de 2 po (51mm).
- B. Brûlez seulement du bois sec assaisonné.
INDICE: Pour assurer que la porte vitrée reste propre, le bois devrait avoir 20% d'humidité.
- C. Un niveau minimal d'émanations de fumée provenant de la cheminée est acceptable lorsque l'appareil brûle comme prévu.
- D. Inspectez et remplacez tous les composants nécessaires (c.à.d. les joints, les collecteurs, le verre, etc.) qui peuvent affecter l'efficacité globale de l'appareil.
- E. Ajustez le contrôle d'air pour un tirage adéquat. Cela contrôlera la rapidité de combustion et la température de l'appareil.

Voir les sections « fonctionnement » et « entretien » pour plus de détails.

5.2 fonctionnement de soufflerie optionnelle

La procédure d'utilisation est recommandé pour obtenir une performance optimale:

Lorsque l'appareil fonctionne à feu élevé

1. Nous conseillons de régler la soufflerie sur « HIGH » et faites fonctionner avec le thermodisque (situé à l'arrière de l'appareil).

Lorsque l'appareil fonctionne à feu moyen:

2. Nous ne conseillons pas d'utiliser la soufflerie.

Lorsque l'appareil fonctionne à feu bas:

3. Nous ne conseillons pas d'utiliser la soufflerie.

5.3 contrôle d'air

! AVERTISSEMENT

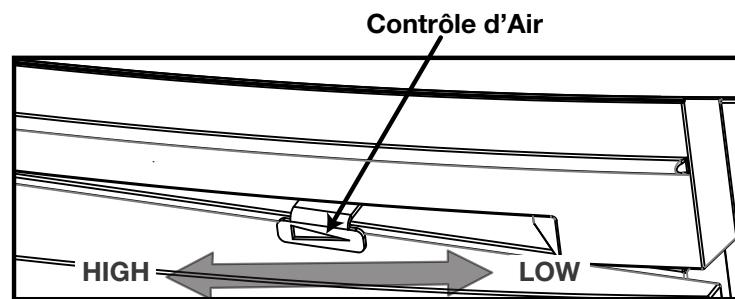
- Cet appareil au bois possède un taux minimale de combustion établi par le fabricant qui ne doit pas être modifié. Les règlements fédéraux interdisent en États-Unis de modifier ce réglage ou d'utiliser cet appareil de chauffage d'une manière allant à l'encontre des instructions de fonctionnement contenues dans ce manuel.

Le tirage est la force qui déplace l'air de la chambre de combustion vers le haut, dans la cheminée. La force de tirage de votre cheminée dépend de sa hauteur et de son diamètre, de la géographie locale, des obstructions avoisinantes et autres facteurs.

Déplacer le contrôle d'air complètement à droite réduit la température. Le contrôle d'air peut être réglé pour passer d'une combustion lente à une combustion rapide en déplaçant la manette de la droite vers la gauche. Un tirage inadéquat peut causer des refoulements de fumée dans la pièce via l'appareil et les points de raccordement des conduits. Il peut également causer un blocage de la cheminée.

Un tirage trop grand provoquera des températures excessives dans l'appareil, des composants de l'appareil ou des conduits de raccordements qui rougeoient ou une combustion incontrôlable qui peut causer un feu de cheminée ou des dommages permanents à l'appareil.

Ne faites pas fonctionner l'appareil pendant plus de 30 minutes avec le contrôle d'air à « HIGH » (complètement ouvert).



5.4 extincteurs et détecteurs de fumée / monoxyde de carbone

note:

Toujours vérifiez que les détecteurs de fumée et monoxyde de carbone fonctionnent correctement.

Toutes les maisons possédant un appareil à combustible solide devraient posséder au moins un extincteur d'incendie dans un emplacement central connu de tous et au moins un détecteur de fumée et détecteur monoxyde de carbone placé dans la pièce où l'appareil est situé. Si l'alarme se déclenche, corrigez la cause mais ne désactivez pas, ou ne relocalisez pas le détecteur de fumée. Si le détecteur de monoxyde de carbone sonne l'alarme, déplacer immédiatement à une région qui a l'air frais et appeler un votre service d'incendie local.

! AVERTISSEMENT

- N'entreposez pas de combustible à l'intérieur des dégagements de l'appareil ou dans l'espace requis pour le réapprovisionnement en combustible et le retrait des cendres.
- Brûler du bois vert ou humide causer des accumulations excessives de créosote. Lorsqu'allumée, elle peut causer un feu de cheminée et un incendie grave pourrait s'ensuivre.

Pour assurer une efficacité maximale lorsque l'appareil est réchauffé, remplissez-le avec du bois jusqu'au sommet de la porte de chargement tout en conservant un espace de 1/4" (6.4mm) est maintenu jusqu'aux les tubes d'air secondaires, et brûlez en réglant à feu moyen-bas. Les briques seront presque entièrement blanches et la vitre presque entièrement propre. Ceci est un bon indicateur que votre appareil fonctionne efficacement. Lorsque vous ne brûlez que 1 ou 2 bûches, l'appareil ne produira pas assez de chaleur ou le bois ne brûlera pas complètement. Il faut au moins 3 bûches pour arriver à avoir un lit de braises qui nourrira le feu.

note:

Lorsque vous chargez l'appareil, assurez-vous de garder le combustible éloigné de la vitre. Si des braises s'accumulent sur le rebord avant, elles pourraient tomber hors de l'appareil quand vous ouvrez la porte.

Des bûches placées de façon lâche brûleront plus rapidement que celles placées serrées les unes contre les autres. Le bois brûle de façon cyclique au lieu de fournir une chaleur constante. Il est donc préférable de planifier ces cycles en fonction de vos activités familiales de façon à ce que suffisamment de braises soient disponibles pour allumer la charge suivante. Le soir, chargez votre appareil au moins une demi-heure avant de vous coucher pour vous assurer que le feu soit suffisamment chaud pour fermer le contrôle de combustion pour une combustion nocturne.

Ne brûlez que du bois bien sec avec moins de 20% d'humidité. Il produit plus de chaleur et moins de suie et de créosote. Ne brûlez pas le bois qui a séjourné dans l'eau de mer; le contenu en sel peut produire un acide qui gruge le métal. Lorsque vous rechargez l'appareil, ouvrez la porte lentement afin d'éviter les refoulements de fumée. Lorsque vous alimentez le feu, portez de longs gants protecteurs (gants pour BBQ). Puisque la combustion se fait à l'avant, ces appareils sont propres et efficaces, mais ils deviennent aussi très chauds et les gants sont alors très utiles. Gardez une petite pelle en acier à proximité; elle peut être utilisée comme tisonnier ou pour enlever les cendres. N'entrez pas le bois à moins de 3 pieds (1m) de l'appareil.

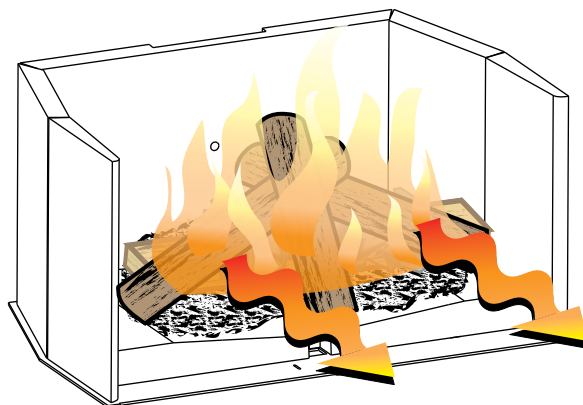
5.6 allumer un feu

note:

Lors de l'allumage initial, de la fumée peut s'échapper de l'appareil, ceci est probablement causé par un mauvais tirage. Pour éviter les refoulements de fumée, ouvrez légèrement la porte, environ 1 à 2 pouces (25 à 51mm).

5.6.1 feu éclair

Un feu éclair est un petit feu qui brûle rapidement quand vous n'avez pas besoin de beaucoup de chaleur. Une fois que votre bois d'allumage est bien allumé, chargez trois bûches par-dessus de façon très lâche. Faites brûler avec le contrôle de combustion pleinement ouvert ou légèrement ouverte.



5.6.2 feu continu

Chargez vos bûches de dimension plus grande de façon compacte pour empêcher les flammes de s'infiltrer complètement. Après 30 minutes environ, selon la grosseur de la charge, fermez le contrôle de combustion en vérifiant que le feu ne se soit pas éteint.

NE SURCHAUFFEZ PAS L'APPAREIL!

Une surchauffe peut se produire :

- A.** En brûlant de grandes quantités de bois de dimension réduite, tel que des rebuts de bois de meuble, des palettes ou du bois traité;
- B.** En brûlant vivement des grandes quantités de bois avec le contrôle de combustion à « HIGH » (entièrement ouvert) pendant de longues périodes (une ou deux heures).
- C.** En faisant fonctionner l'appareil lorsque la porte de la chute à cendres est ouverte ou lorsque le joint d'étanchéité de la porte principale est défectueux.

5.7 enfumage

Un appareil installé convenablement ne devrait pas fumer. Si votre fume, vérifiez les points suivants:

- Est-ce que la cheminée a pu se réchauffer suffisamment?
- Est-ce que le passage de la fumée est bloqué soit dans la cheminée, soit dans le conduit de raccordement, soit dans l'appareil?
- Est-ce que la pièce est trop hermétique et que la prise d'air comburant n'est pas raccordée sur l'extérieur? Essayez avec une fenêtre partiellement ouverte.
- Est-ce que le flot de fumée est restreint par un tuyau horizontal trop long ou par un trop grand nombre de coudes?
- S'agit-il d'un tirage faible causé par une cheminée non hermétique, une cheminée extérieure froide, un diamètre de cheminée trop grand, une cheminée trop courte ou trop près des arbres ou d'un toit plus élevé?
- Est la teneur en humidité du bois supérieure à 20%?
- Si équipé, est-ce que le bypass catalyseur a été fermé ou fermé prématurément?

! AVERTISSEMENT

- Risque d'incendie et de choc électrique.
- Coupez l'alimentation électrique avant de procéder à l'entretien de l'appareil.
- N'utilisez que les accessoires optionnels et les pièces de rechange approuvés par Wolf Steel Ltée. pour cet appareil. L'utilisation d'accessoires non listés (soufflerie, portes, persiennes, moulures, etc.) pourrait être non sécuritaire et annulera la garantie et la certification.
- Afin de prévenir les chocs électrique et les dommages causés par le feu, assurez-vous que le cordon d'alimentation de la soufflerie n'entre pas en contact avec quelconque surface de l'appareil. Ne faites pas passer le cordon d'alimentation sous l'appareil.

La poussière de gypse pénétrera dans le roulement à billes de la soufflerie causant des dommages irréparables. Vous devez éviter que cette poussière n'entre pas en contact avec la soufflerie ou son compartiment. Tout dommage causé par ce problème ne sera pas couvert par la garantie. L'utilisation de la soufflerie accroît le débit de chaleur.

Gardez l'ouverture de soufflerie libre de l'accumulation de cendre.

Cette soufflerie est équipée avec une micro-commutateur, cette micro-commutateur éteint la soufflerie quand la porte est ouverte. Ceci aide à réduire de la fumée d'entrer dans vos salles, et aussi une interrupteur thermique. La soufflerie activera seulement quand la porte est fermé et l'interrupteur thermique atteint la température (selon l'intensité du feu c'est approximativement 15 à 30 minutes après l'allumage).

COMMENT D'UTILISER LE SOUFFLERIE

1. Ouvrez la porte et ajuster le commutateur de vitesse variable à la vitesse désirée.
2. C'est nécessaire de déprimer le micro-commutateur en faisant cet ajustement. Lors de fermer la porte, assurez-vous que le support de l'interrupteur de la soufflerie est bien en contact avec le micro-commutateur. Vous devriez entendre un « clic » (voir la **Figure 1**).

note:

Pour la plus haute efficacité, ne pas fonctionner la soufflerie quand le contrôle d'air est réglé à une paramètre plus bas. De plus, fonctionner la soufflerie sur une vitesse lente quand le contrôle d'air n'est pas plus que 3/8" (9,5mm) ouvert de la paramètre le plus bas, et fonctionner sur une aucun vitesse quand le contrôle d'air est sur une autre paramètre.

note:

Cette soufflerie est munie d'un protecteur contre les surcharges thermiques. Pour une performance optimale, faites fonctionner la soufflerie en tout temps lorsque l'appareil est allumé, sauf lorsque le contrôle de combustion est réglé au niveau le plus bas.

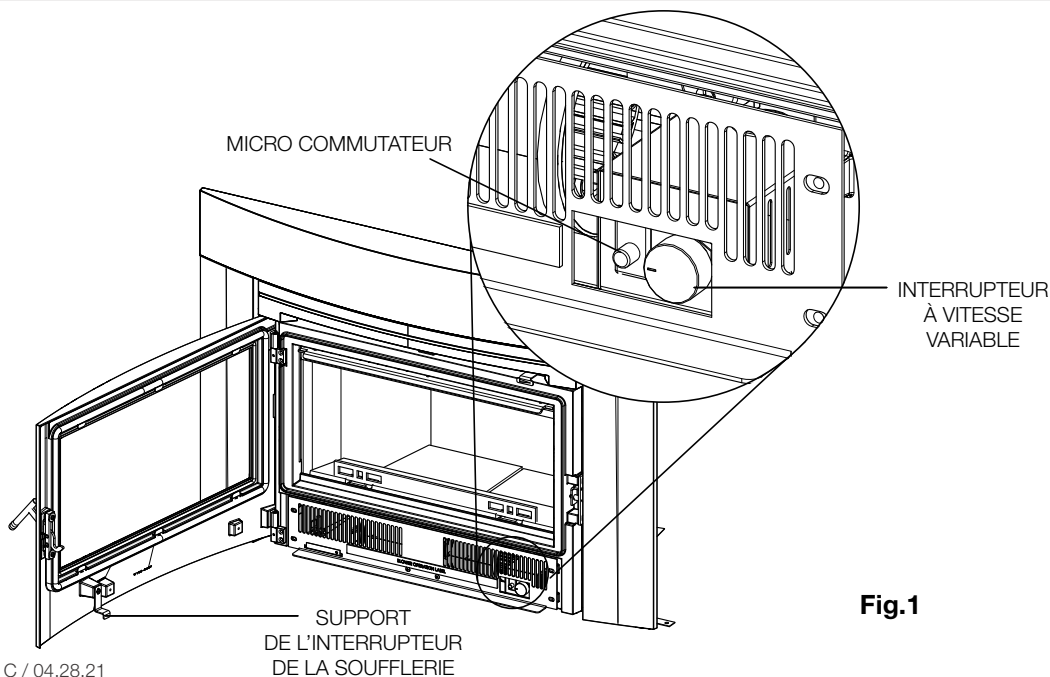


Fig.1

! AVERTISSEMENT

- Coupez l'alimentation électrique avant de procéder à l'entretien de l'appareil.
- L'appareil peut être chaud. N'effectuez aucun entretien jusqu'à ce que l'appareil soit refroidi.
- N'utilisez pas de nettoyeurs abrasifs.

Afin de prévenir les accumulations de suie et de crésote, vérifiez votre cheminée et le conduit de raccordement toutes les semaines jusqu'à ce qu'une fréquence de nettoyage sécuritaire soit établie.

Si les accumulations sont excessives, débranchez l'appareil et nettoyez-le ainsi que la cheminée. Vous pourriez faire appel aux services d'un ramoneur professionnel pour nettoyer l'appareil et la cheminée; ils doivent être nettoyés au moins une fois l'an ou aussi souvent que nécessaire.

Enlevez les déflecteurs en fibre et nettoyez au-dessous une fois par année. Remplacez les briques brisées.

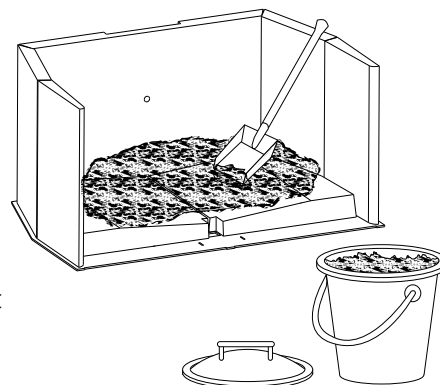
6.1 enlèvement des cendres

! AVERTISSEMENT

- L'élimination incorrecte de cendres cause des incendies. Ne jetez pas les cendres dans des boîtes en carton. Ne les jetez pas dans la cour et ne les entreposez pas dans un garage.
- Si vous utilisez un aspirateur pour nettoyer les cendres, assurez-vous que ces dernières soient entièrement refroidies. L'utilisation d'un aspirateur pour nettoyer les cendres chaudes pourrait occasionner un incendie dans l'aspirateur.

Laissez les cendres s'accumuler sur une épaisseur d'environ 1" (25mm) sur le plancher de la chambre de combustion pour aider à conserver un lit de braises chaudes. Une fois que le feu s'est éteint et que les cendres se sont refroidies, enlevez toutes les cendres excédentaires. Pour enlever les cendres, suivez les directives ci-dessus:

- Un fois que le dernier morceau de charbon s'est éteint, laissez l'appareil se refroidir au moins 2 heures.
- Ouvrez les portes de l'appareil.
- Pelletez les cendres de l'appareil dans un contenant de métal muni d'un couvercle étanche. Fermez le couvercle, éloignez le contenant de l'appareil, déposez-le sur une surface incombustible appropriée, et laissez les cendres refroidir.
- Jetez les cendres.



note:

Placez les cendres dans un contenant métallique à couvercle étanche. Posez le contenant fermé sur une surface incombustible ou sur le sol, loin de toute matériaux combustibles, en attendant l'élimination finale des cendres. Si les cendres sont destinées d'être enterrées ou dispersées autrement localement, elles devraient demeurer dans le contenant métallique fermé jusqu'à ce qu'elles aient complètement refroidi.

6.2 formation et enlèvement de la crésote

Lorsque le bois brûle lentement, il produit du goudron et autres vapeurs organiques qui, se combinant à la vapeur d'eau évacuée, forment la crésote. Ces vapeurs se condensent dans le conduit relativement froid de la cheminée d'un appareil brûlant lentement. Par conséquent, le résidu de crésote s'accumule dans le conduit. Lorsqu'elle prend feu, la crésote produit un feu extrêmement chaud.

Inspectez votre cheminée pour des accumulations de crésote chaque deux mois pendant le saison de chauffage pour déterminer si une accumulation de crésote à former.

Si l'accumulation est excessive, nettoyez la cheminée pour réduire une feu de la cheminée.

6.3 feu de cheminée ou feu hors contrôle

AVERTISSEMENT

- Un feu de cheminée peut endommager votre cheminée de façon permanente. Pour réparer ces dommages, vous devrez remplacer les composants endommagés. Les feux de cheminée ne sont pas couverts par la garantie à vie limitée.

CAUSÉS:

- L'utilisation d'un combustible inapproprié ou de morceaux de bois trop petits qui, normalement, auraient été utilisés comme bois d'allumage.
- Accumulation de crésote dans la cheminée.
- Une porte laissée entrouverte trop longtemps créant des températures extrêmes lorsque l'air est entraîné précipitamment par la porte ouverte.
- Si équipé; faire fonctionner votre appareil sans le bouchon de cendres mal installé.

SOLUTIONS:

- Ne brûlez pas de bois traité ou transformé, de charbon, de charbon de bois, de papier de couleur ou de carton.
- Ont nettoyé la cheminée régulièrement.
- Faites attention de ne pas surchauffer l'appareil en laissant la porte ouverte trop longtemps après l'allumage initial. Un thermomètre sur le conduit de raccordement ou sur le dessus de l'appareil serait utile.
- Si équipé, toujours faire fonctionner l'appareil avec le vouchon de cendres installée.

EN CAS DE FEU DE CHEMINÉE:

- Fermez la porte vitrée et la prise d'air de l'appareil (et l'amortisseur, si équipé).
- Ayez un plan d'évacuation bien compris de tous et désignez un lieu de rassemblement à l'extérieur. Préparez-vous à évacuer les lieux pour assurer la sécurité de chacun.
- Appelez votre service d'incendie. Ayez un extincteur sous la main. Contactez les autorités locales pour savoir quoi faire en cas de feu de cheminée.
- Après que le feu de cheminée est éteint et avant d'allumer un autre feu, nettoyez et inspectez la cheminée pour des signes de détérioration ou des fissures. Vérifiez également les matériaux combustibles autour de la cheminée et du toit.

6.4 nettoyage de la cheminée

La cheminée et l'appareil doivent être inspectés et nettoyés s'il y a lieu au moins une fois l'an.

En cas d'utilisation fréquente du chauffage au bois, le nettoyage de la cheminée doit être fait au besoin pour éviter des feux de cheminée. Les systèmes d'évacuation des appareils à combustion contrôlée peuvent nécessiter un nettoyage aussi fréquent qu'une fois par mois. Cependant, cette fréquence dépend des habitudes de chauffage de la personne qui utilise l'appareil. À titre d'exemple, il est possible d'obstruer la cheminée d'un appareil à combustible solide en quelques jours si l'appareil brûle lentement et que la cheminée est froide.

note:

Les utilisateurs qui font toujours des feux chauds auront rarement d'importantes accumulations de crésote dans la cheminée.

Lors du nettoyage de la cheminée, certains éléments doivent être considérés :

- Les outils appropriés doivent être utilisés, incluant une brosse spécialement conçue pour le ramonage de la cheminée.
- Les conduits de raccordement, le registre et la cheminée doivent être nettoyés.
- La chambre de combustion et les déflecteurs doivent être nettoyés au besoin.
- La cheminée doit être inspectée et réparée au besoin, de préférence par un ramoneur ou un maçon qualifié.

6.5 enlèvement de la porte

! AVERTISSEMENT

- Faire fonctionner cet appareil avec les portes ouvertes ou entrouvertes crée un risque d'incendie de cheminée ou du domicile.
- Ne frappez pas et ne claquez pas la porte.
- N'enlevez jamais la porte lorsque l'appareil est chaud.

Pour enlever la porte, enlevez les 2 vis dans sommet et le fond inférieur (**Fig. 1**).

note:

En raison du poids de la porte, il est recommandé que 2 personnes effectuent l'enlèvement de la porte.

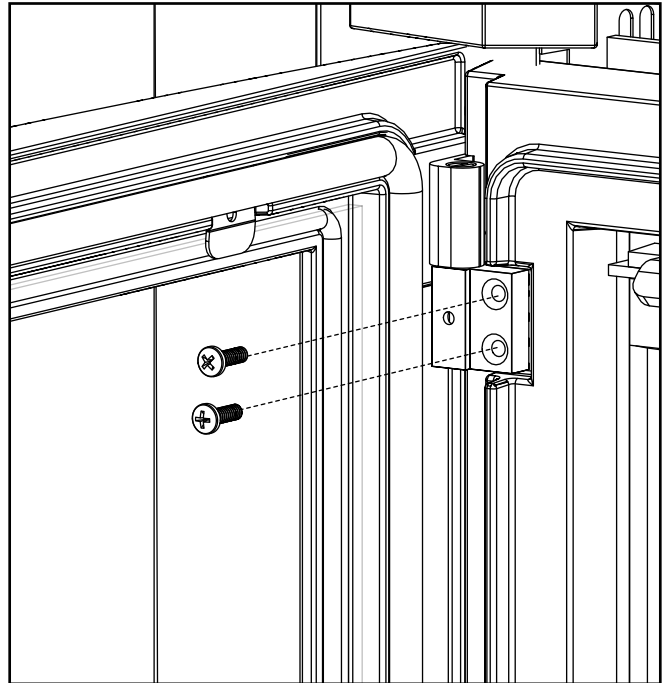
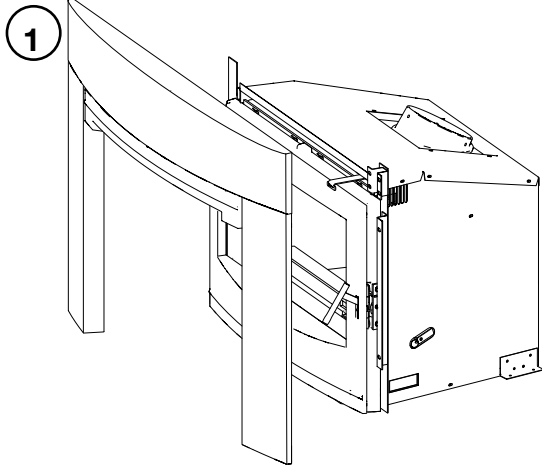
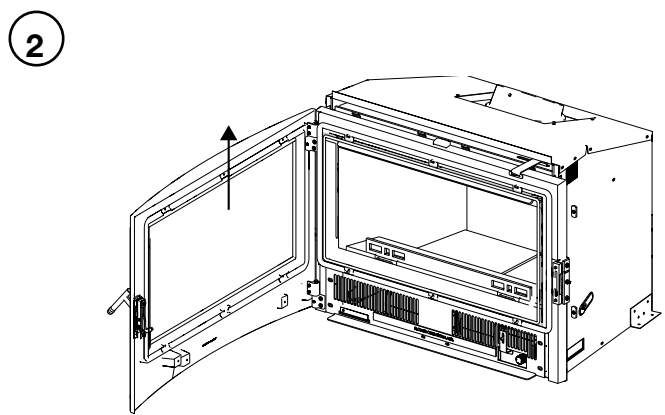


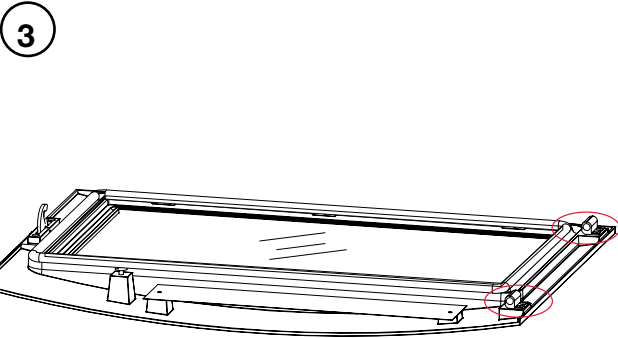
Fig. 1



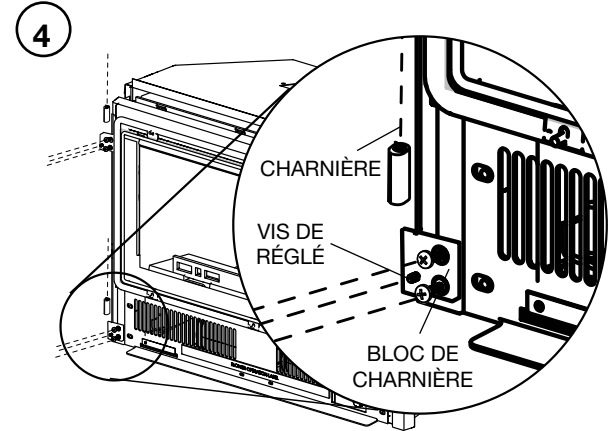
1 Enlevez les contours, référer la section « installation du contour, contemporain » dans les instructions d'installation.



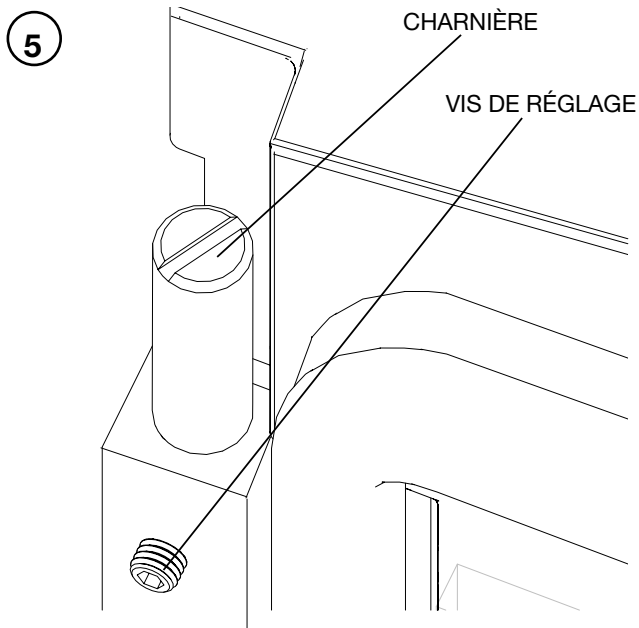
2 Soulevez et retirez le porte hors de l'appareil. Placez la porte, face vers le bas, sur une surface douce.



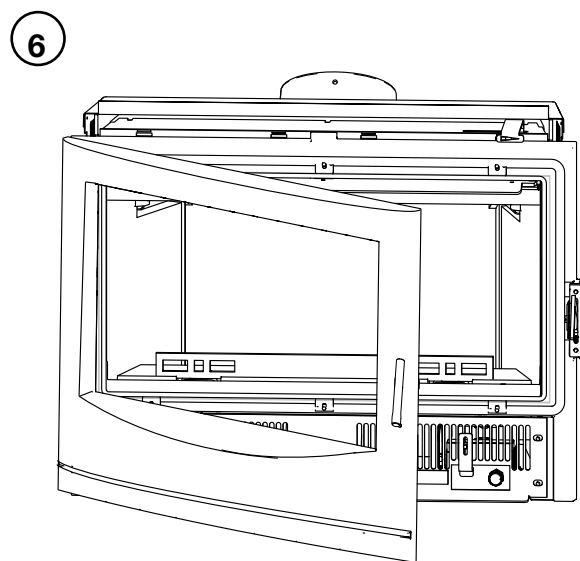
3 Enlevez les vis et les charnières de porte et jetez-les. Remplacez avec les vis et charnières fournies.



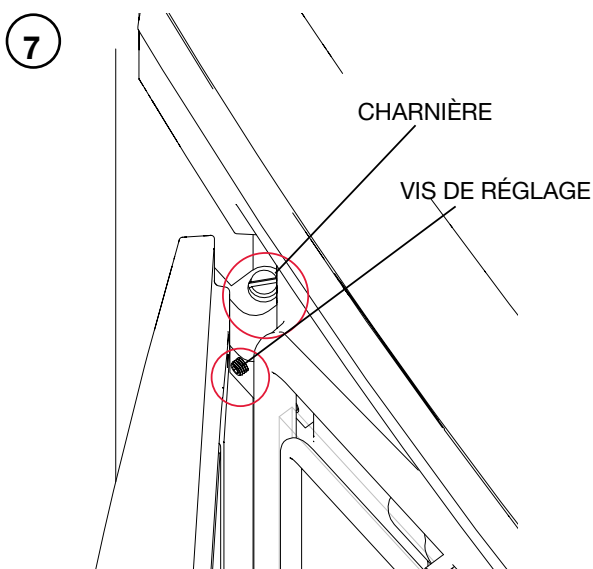
4 Enlevez la vis de règle et les charnières et mettre de côté. Enlevez la vis et bloc de charnière et jetez-les. Remplacez avec les vis et bloc de charnière fourni. Réinstallez les vis de règle. Insérez les charnières.



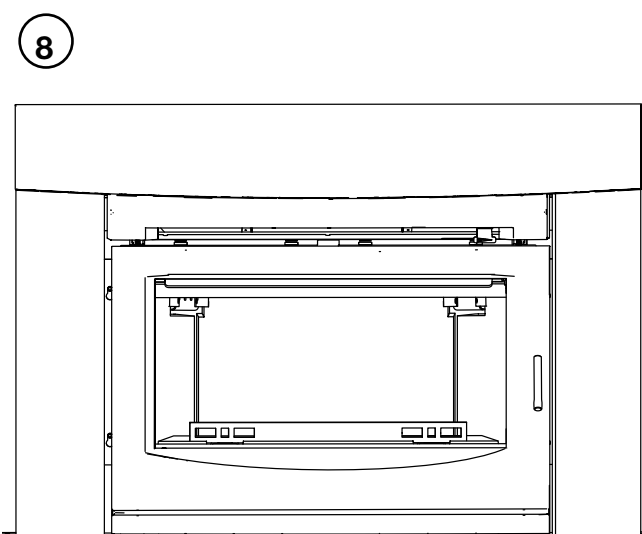
5 Tournez les charnières supérieur et inférieur jusqu'à ce qu'il soit centré sur le bloc de charnière. Serrez la vis de réglé.



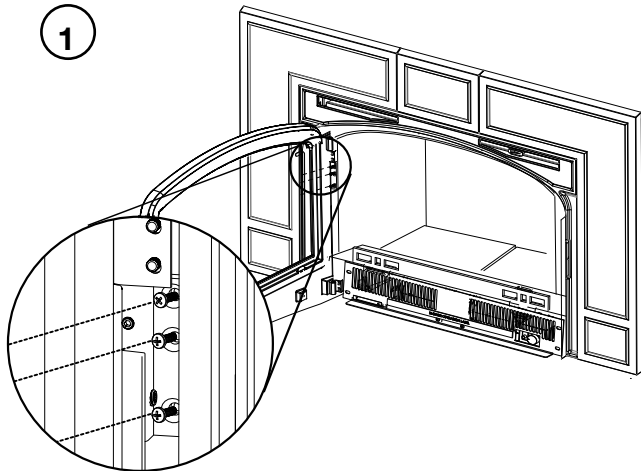
6 Soulevez la porte sur l'appareil. Fermez la porte pour vérifier l'alignement. L'ajustement de la porte peut être nécessaire si la porte n'est pas de niveau.



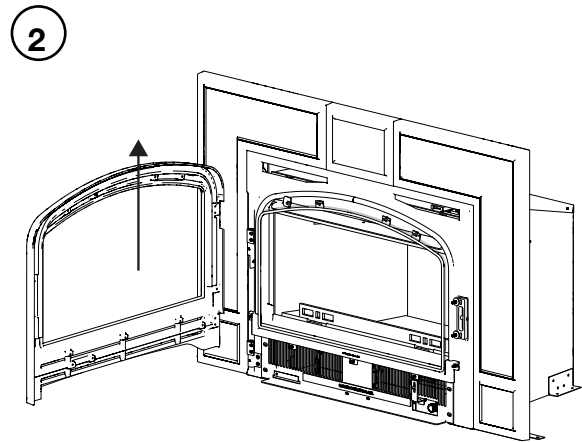
7 Vérifiez l'alignement des porte. Si un ajustement est nécessaire. Tournez l'épingle dans le sens des aiguilles ou antihoraire pour soulever ou pour abaisser la porte. Réglage de la porte est strictement procès et erreur; vous devrez peut être réglée quelques fois jusqu'à ce que l'angle désiré de porte est atteint.



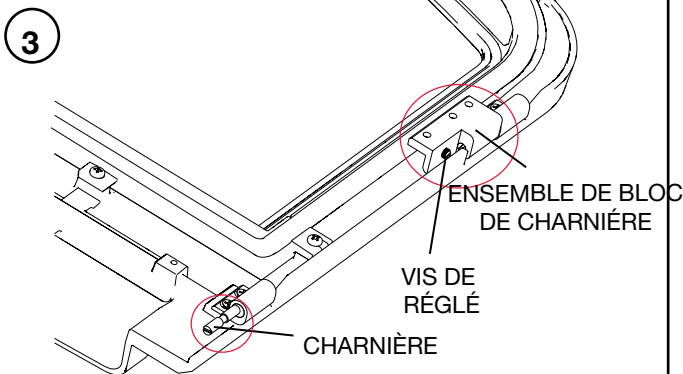
8 Assurez-vous de la loquet de porte se engage correctement. Réinstaller le contour.



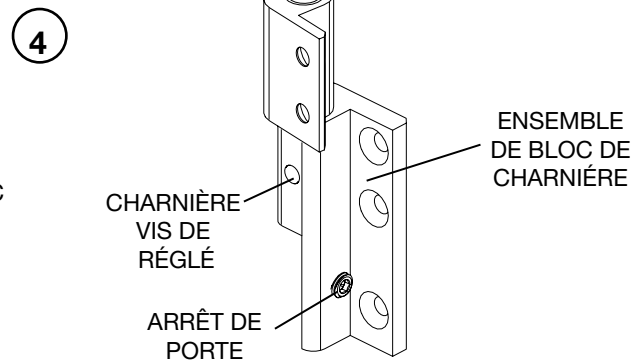
Pour enlever la porte. Enlevez les 3 vis de la charnière supérieure et les 2 vis de la charnière inférieure monté de l'appareil.



Soulevez la porte hors l'appareil. Placez la porte, face vers le bas, sur une surface douce.

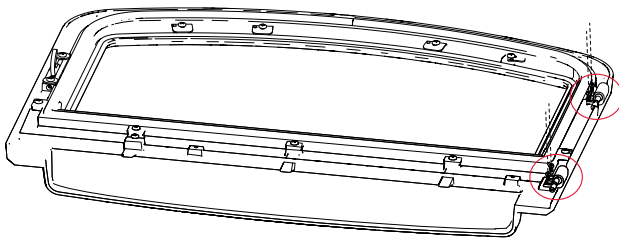


Enlevez les vis et les charnière de la porte. Enlevez la charnière et vis de réglé et mettre de côté. Jetez le vis et charnière.



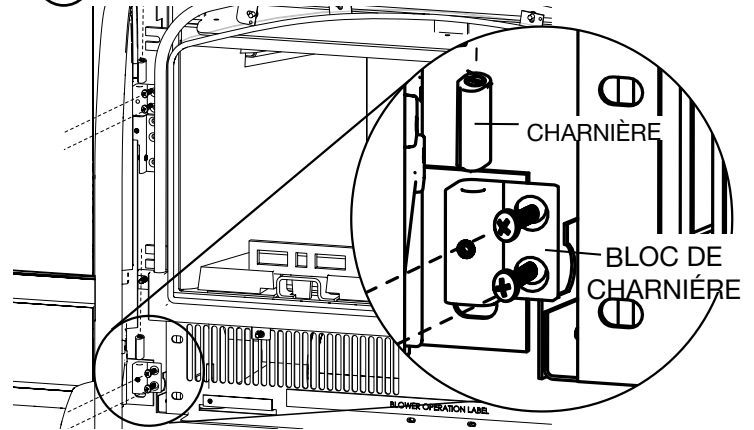
Assemblez les pièces ensemble, puis installez à la porte, comme illustré à l'étape 3.

5



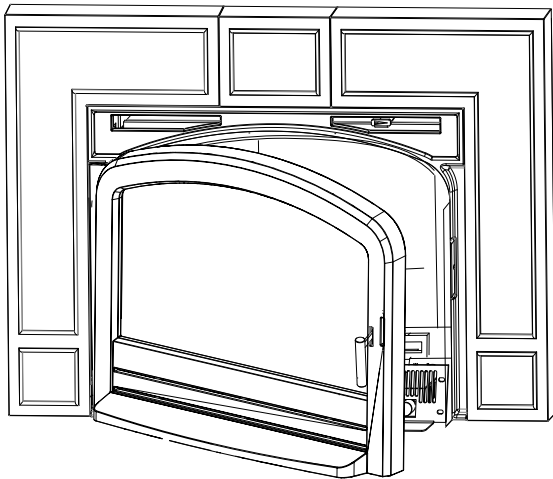
Remplacez les vis et bloc de charnière fourni. Réinstallez l'ensemble de bloc de charnière. Réinstallez le vis de réglé lâchement.

6



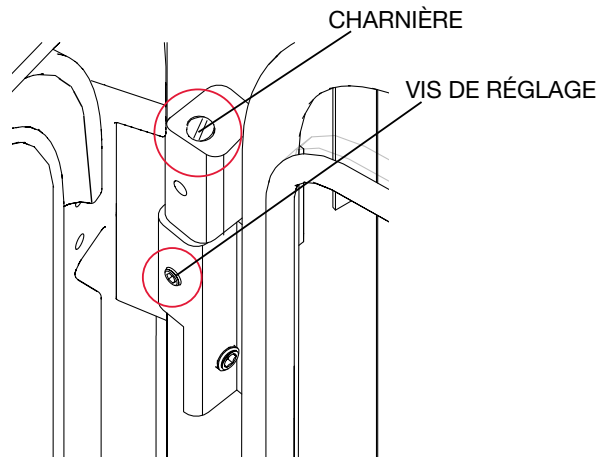
Remplacez le vis et bloc de charnière inférieure sur l'appareil. Insérez le charnière et réinstallez le vis de réglé lâchement.

7



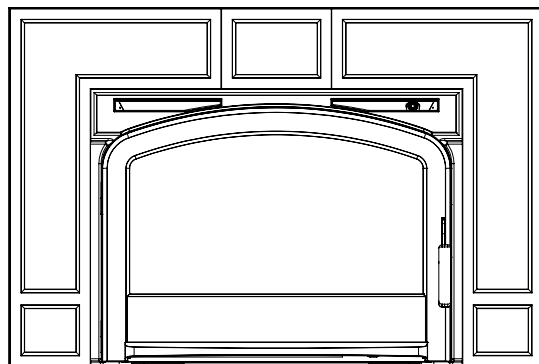
Soulevez la porte sur l'appareil. Réinstallez le 3 vis sur l'ensemble de bloc de charnière et desserrez les vis réglé. fermer la porte pour vérifier l'alignement.

8



Vérifiez l'alignement des porte. Si un ajustement est nécessaire. Tournez l'épingle dans le sens des aiguilles ou antihoraire pour soulevez ou pour abaisser la porte. Réglage de la porte est strictement procès et erreur; vous devrez peut être réglée quelques fois jusqu'à ce que l'angle désire de porte est atteint.

9



Assurez-vous de la loquet de porte s'engage correctement.

6.8 remplacement du mécanisme du bloc de loquet

! AVERTISSEMENT

- Faire fonctionner cet appareil avec les portes ouvertes ou entrouvertes crée un risque d'incendie de cheminée ou du domicile.
- Ne frappez pas et ne claquez pas la porte.
- N'enlevez jamais la porte lorsque l'appareil est chaud.

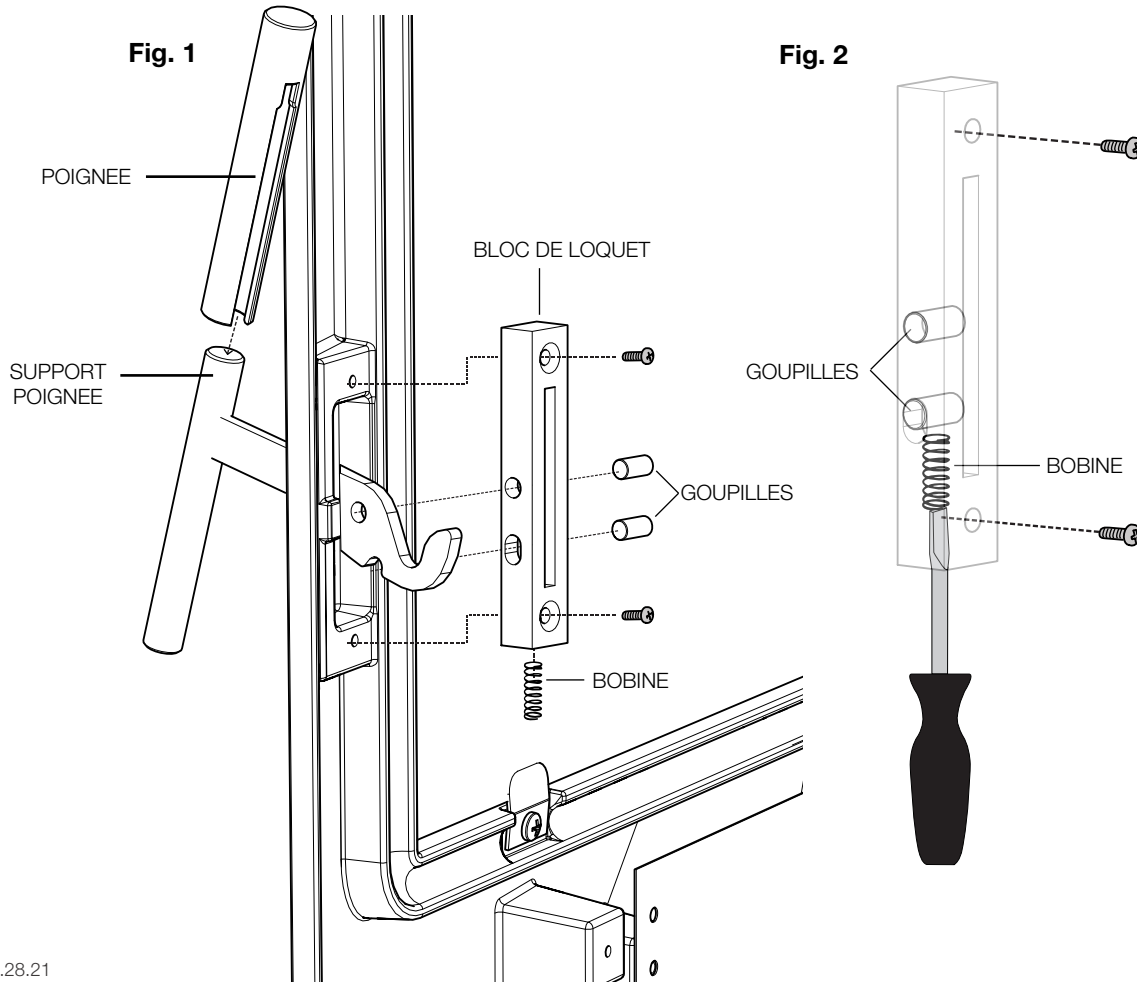
- Retirez les 2 vis qui fixent le bloc de verrouillage à la porte.
- Tirez la poignée vers la porte, retirez les composantes du bloc de loquet, puis retirez le bloc de loquet et le support de poignée. Remplacez toute composante endommagée ou usée.
- Pour réinstaller le support de poignée, prenez le bloc de loquet et le support de poignée, alignez les trous de vis supérieur et inférieur sur la porte (**Fig. 1**).
- Serrez légèrement la vis supérieure, puis installez les 2 goupilles (**Fig. 1**).
- Pour installer le ressort, glissez-le dans le bas du bloc de loquet, puis installez la vis. Avant l'installation, appliquez une petite quantité de graisse haute température sur le ressort et les goupilles.

INDICE: Comprimez le ressort à l'aide d'un tournevis la lame plate, ceci facilite l'installation de la vis (**Fig. 2**).

note:

Pour que l'installation soit adéquate, la poignée devrait pouvoir demeurer en position élevée. De plus, le support de poignée devrait s'engager doucement dans le caisson.

- OPTIONELLE:** La poignée peut être fixée de façon permanente en appliquant du RTV transparent à l'intérieur de la poignée, et ensuite de la glisser en place et la laisser sécher pendant 24 heures.
- Ajustez le bloc de loquet vers le haut ou vers le bas, éloignant le support de la porte en position fermée.

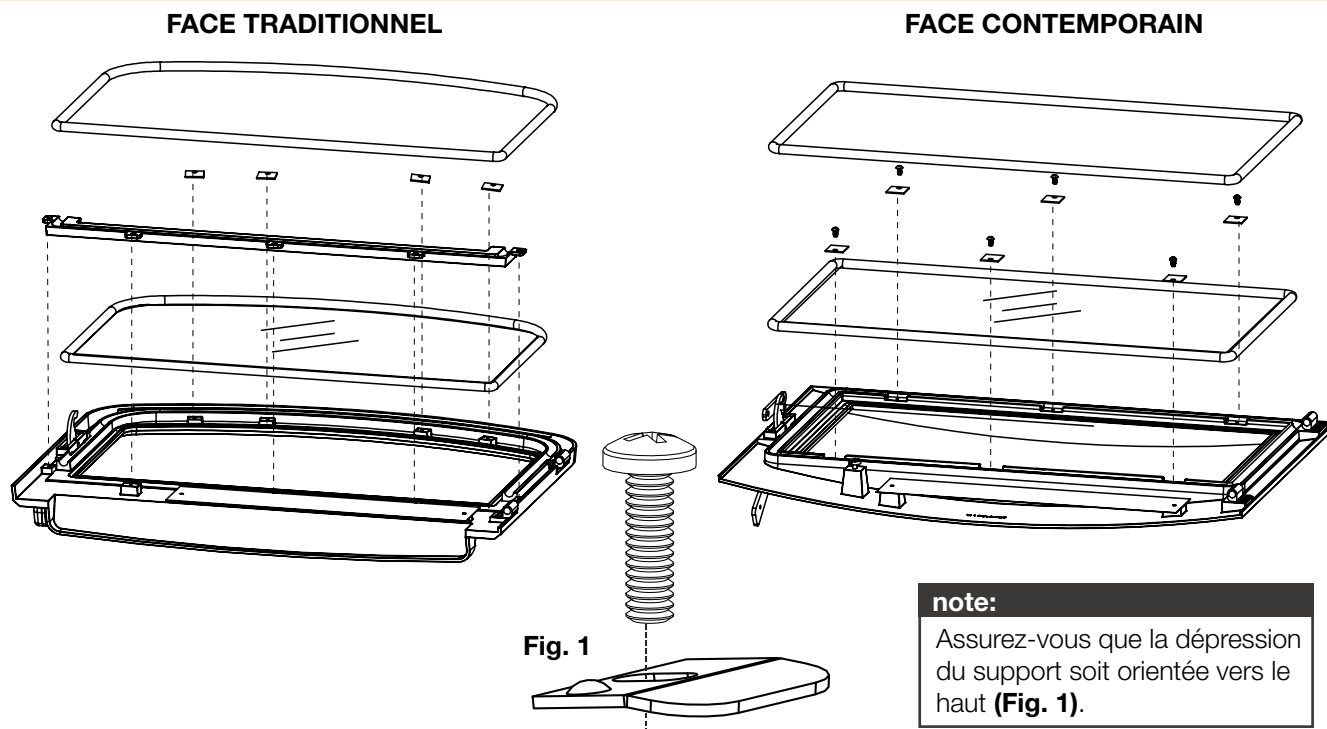


INDICE:
Glissez de poignée sur le support de poignée à partir du haut.

6.9 remplacement de la vitre

! AVERTISSEMENT

- N'utilisez pas de matériaux de substitution.
- La vitre peut être chaude, ne touchez pas la vitre jusqu'à ce qu'elle ait refroidi.
- Usez de prudence lorsque vous enlevez et jetez des débris de verre des composants endommagés. Assurez-vous d'aspirer tous les débris de verre à l'intérieur de l'appareil avant de le faire fonctionner.
- Ne frappez pas, ne claquez pas et n'égratignez pas la porte vitrée. Ne faites pas fonctionner l'appareil lorsque la porte vitrée est enlevée, fissurée, brisée ou égratignée



note:
Assurez-vous que la dépression du support soit orientée vers le haut (**Fig. 1**).

- Une fois que l'appareil est refroidi, ouvrez la porte et déposez le cadre de porte en prenant soin de ne pas égratigner la peinture.
- Enlevez le joint extérieur, retirez les **9** vis (4 au sommet, et 5 au fond) sur le **face traditionnel**, ou les **6** vis (3 au sommet, 3 au fond) sur le **face contemporain**. Retenez tout le matériel.
- Soigneusement enlevez le verre et le joint intérieur au dessous.
- Appliquez une petite perle de silicone dans la cannulure de joint intérieur.
- Placez le 1/4" (6,4mm) jointe de corde (W562-0043) dans la cannulure sur la silicone.
- Placez le verre sur la porte et réinstallez les provisions de verre.
- Appliquez une petite perle de silicone dans la cannulure de joint extérieur.
- Insérez le 3/4" (19mm) joint de corde (W562-0004) dans la cannulure sur la silicone.

À la fin de chaque saison de chauffage, inspectez le joint de la porte pour l'usure et vérifiez que c'est assuré.

note:

Pour les dimensions, l'épaisseur et les spécifications de la vitre de remplacement, voir la section « pièces de rechange ».

AVERTISSEMENT

- Ne pas nettoyer la vitre lorsqu'elle est chaude! N'employez pas de détergents abrasifs pour nettoyer la vitre.

Si vous ne nettoyez pas les dépôts régulièrement, la vitre risque de rester marquée en permanence. Normalement, un feu très chaud maintiendra la vitre propre. Les raisons les plus fréquentes pour lesquelles la vitre se salit sont:

- Trop peu de combustible est utilisé pour réchauffer suffisamment l'appareil.
- L'utilisation de bois vert ou humide.
- Le contrôle de combustion est trop fermé, créant une insuffisance d'air pour réaliser une combustion complète.

S'il est nécessaire de nettoyer la vitre, utilisez un linge doux avec un nettoyeur sans abrasif. Nettoyez la vitre avec un nettoyeur recommandé après les dix premières heures de fonctionnement. Par la suite, nettoyez aussi souvent qu'il le faudra.

La vitre est très résistante, mais ne laissez pas de bois en combustion s'appuyer contre elle. Fermez toujours la porte doucement.

NE FORCEZ JAMAIS POUR LA FERMER!

Ne pas faire fonctionner l'appareil avec la verre brisé, les fuites de gaz de combustion peut résulter.

Contactez votre détaillant local autorisé pour les instructions de nettoyage complètes.

Si la vitre devait fissurer pendant que le feu brûle, n'ouvrez pas la porte jusqu'à ce que le feu s'éteigne et n'utilisez pas l'appareil jusqu'à ce que la vitre ait été remplacée par une nouvelle, disponible chez votre détaillant autorisé. **N'UTILISEZ PAS DE MATÉRIAUX SUBSTITUTS.**

6.11 soins des pièces plaquées

Si l'appareil est muni de pièces plaquées, vous devez enlever toutes traces de doigts ou autres marques des surfaces plaquées avant d'allumer l'appareil pour la première fois. Utilisez les nettoyeurs sans ammoniaque ou à base de vinaigre. Si la surface plaquée n'est pas bien nettoyée avant le premier allumage de l'appareil, elle risque de rester marquée en permanence. Une fois que la surface plaquée aura chauffé, les traces de doigts et le gras n'affecteront plus la surface et très peu d'entretien sera requis; vous n'aurez qu'à l'essuyer au besoin. Une combustion prolongée à haute température avec la porte ouverte peut causer une décoloration des pièces plaquées.

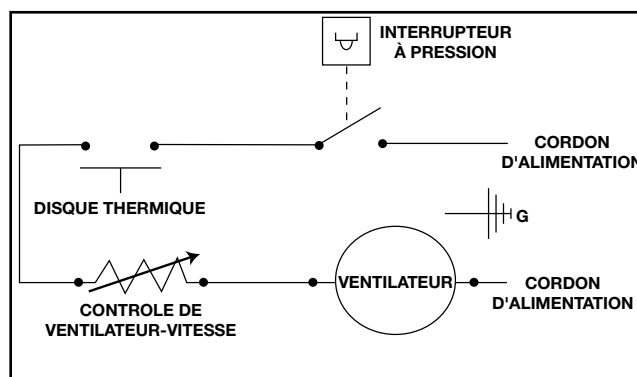
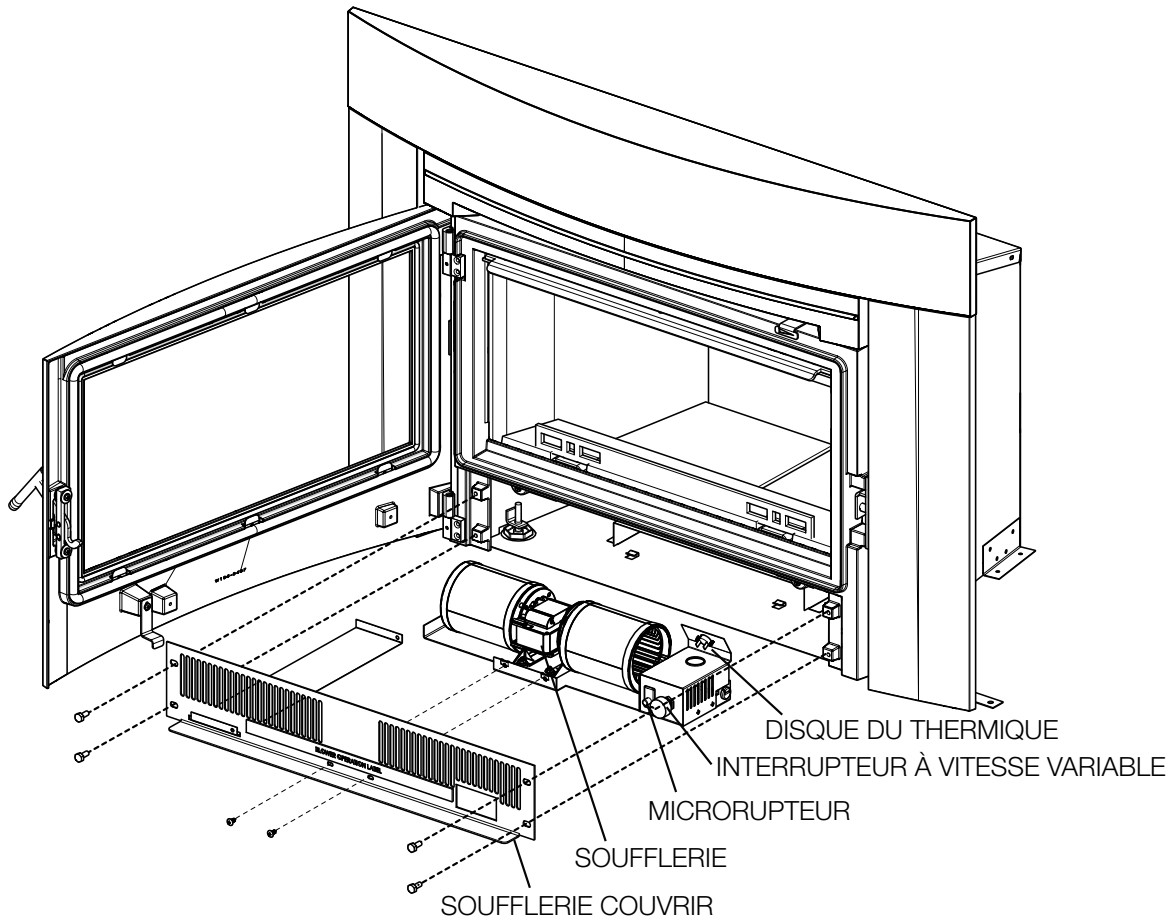
note:

L'emballage de protection sur les pièces plaquées s'enlève mieux lorsque l'assemblage est à température ambiante ou lorsqu'il est chauffé (c.à.d. avec un séchoir à cheveux ou une autre source de chaleur similaire).



6.12 entretien ou remplacement de la soufflerie

- A. Coupez l'alimentation électrique à l'appareil.
- B. Retirez les 4 vis servant à fixer le couvert du soufflerie sur le boîtier du soufflerie de retirez-le lentiment pour garantir que les dommages ne sont pas faits à l'isolation.
- C. Retirez la soufflerie hors du boîtier du soufflerie.
- D. Détachez la soufflerie en enlevant 4 vis dessous la boîtier du soufflerie.
- E. En reconnectant les connexions électriques, garantir qu'ils resent assurés.
- F. En réinstallant l'assemblée complète, garantit que l'isolation reste à sa place.



! AVERTISSEMENT

- Cet appareil est conçu de brûler bois naturel seulement. Ne brûlez pas du bois traité, du charbon, du papier de couleur, du carton, du solvant, ou des déchets. Cet appareil n'a pas été testé avec un ensemble de bûches à gaz non ventilées. Afin de réduire le risque d'incendie ou de blessure, n'installez pas d'ensemble de bûches à gaz non ventilées dans cet appareil.
- Les plus hautes efficacités et les plus bas émissions résultent généralement lorsque vous brûlez du bois dur assaisonné et séché à l'air, en comparaison avec du bois mou ou du bois dur qui est trop vert ou fraîchement coupé.
- Le brûlant du bois mouillé et non-assaisonné peut causer l'accumulation excessive de la créosote. Une fois enflammé, elle peut causer un feu de cheminée qui peut résulter dans un incendie de la maison grave.
- Ne stockez pas du carburant dans le domaine du dégagement aux combustibles, ou dans l'espace requis pour le ravitaillement et l'enlèvement des cendres.

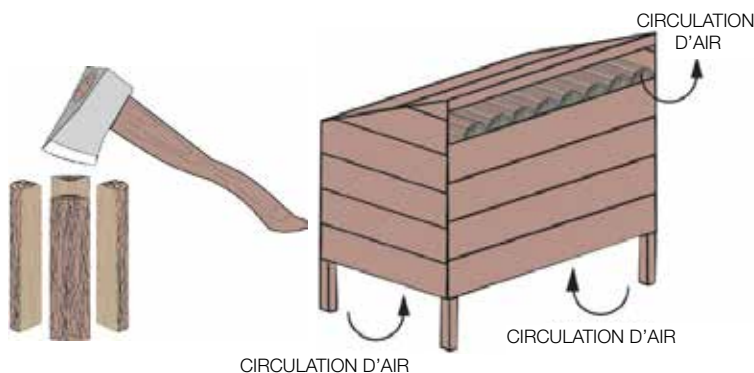
Avant de charger l'appareil, assurez-vous que tous les déflecteurs et l'isolation nécessaire (si applicable) sont installés et situés correctement. Pour assurer une efficacité maximale lorsque l'appareil est réchauffé, remplissez-le avec du bois jusqu'au maximum spécifié et brûlez en réglant à feu moyen-bas (si applicable). Des briques presque entièrement blanches et une vitre presque entièrement propre sont de bons indicateurs que votre appareil fonctionne efficacement. Lorsque vous ne brûlez que quelques bûches, l'appareil ne produira pas assez de chaleur ou le bois ne brûlera pas complètement.

note:

Les appareils qui sont entourés par les roches solides ou les briques connaîtront une période de chauffe plus longue car ceux matériaux absorbent la chaleur qui est généré.

TYPES DE BOIS

Le bois dur brûle aussi bien que le bois résineux dans cet appareil; par contre, le bois dur est plus dense, plus lourd, brûle plus lentement et plus longtemps. Les bûches artificielles obtenues par la compression de fibre de bois 100% naturelle peuvent être utilisées sans danger comme combustible. N'utilisez pas des bûches artificielles contenant des additifs comme de la paraffine, de la cire, des liants, etc. Ne brûlez jamais plus de deux bûches artificielles à la fois.



CONTIENT D'HUMIDITÉ

Ne brûlez que du bois propre, non peint et bien sec. Il produit plus de chaleur et moins de suie et de créosote. Le bois fraîchement coupé contient environ 50% d'humidité tandis qu'une fois séché, il n'en contient que 20%. Quand le bois brûle, l'eau bout en consommant une partie de l'énergie qui aurait dû produire de la chaleur. Plus le bois est humide, moins il y aura de chaleur et plus il y aura de créosote. Le bois sec a des craquelures dans les extrémités.

STOCKAGE DE BOIS

Bois de chauffage doit être divisé et empilés de façon à permettre la circulation de l'air complet et couverts au début du printemps pour être prêt pour la gravure de l'automne. Bois de chauffage sec a des fissures dans la fin du grain.

Coupez le bois de façon à ce qu'il puisse rentrer horizontalement, de l'arrière vers l'avant, dans l'appareil. Ceci facilite le chargement et il y aura moins de risque que le bois roule sur la vitre.

Le combustible pour l'appareil ne doit pas être entreposé à l'intérieur des dégagements minimaux aux matériaux combustibles (matériau sensible à la chaleur). **N'ENTREPOSEZ JAMAIS DE BOIS DANS LE COMPARTIMENT DU TIROIR À CENDRES (s'il y a lieu).**

AVERTISSEMENT

- Omettre de positionner les pièces conformément à ce manuel ou d'utiliser uniquement des pièces spécifiquement approuvées pour cet appareil peut causer des dommages matériels ou des blessures corporelles.

Contactez votre détaillant pour les questions concernant les prix et la disponibilité des pièces de remplacement. Normalement, toutes les pièces peuvent être commandées chez votre détaillant autorisé.

Pour un remplacement de pièce sous garantie, une photocopie de la facture originale sera requise afin de pouvoir honorer la demande.

Lorsque vous commandez des pièces, donnez toujours l'information suivante:

- Modèle et numéro de série de l'appareil
- Date d'installation de l'appareil
- Numéro de la pièce
- Description de la pièce
- Fini

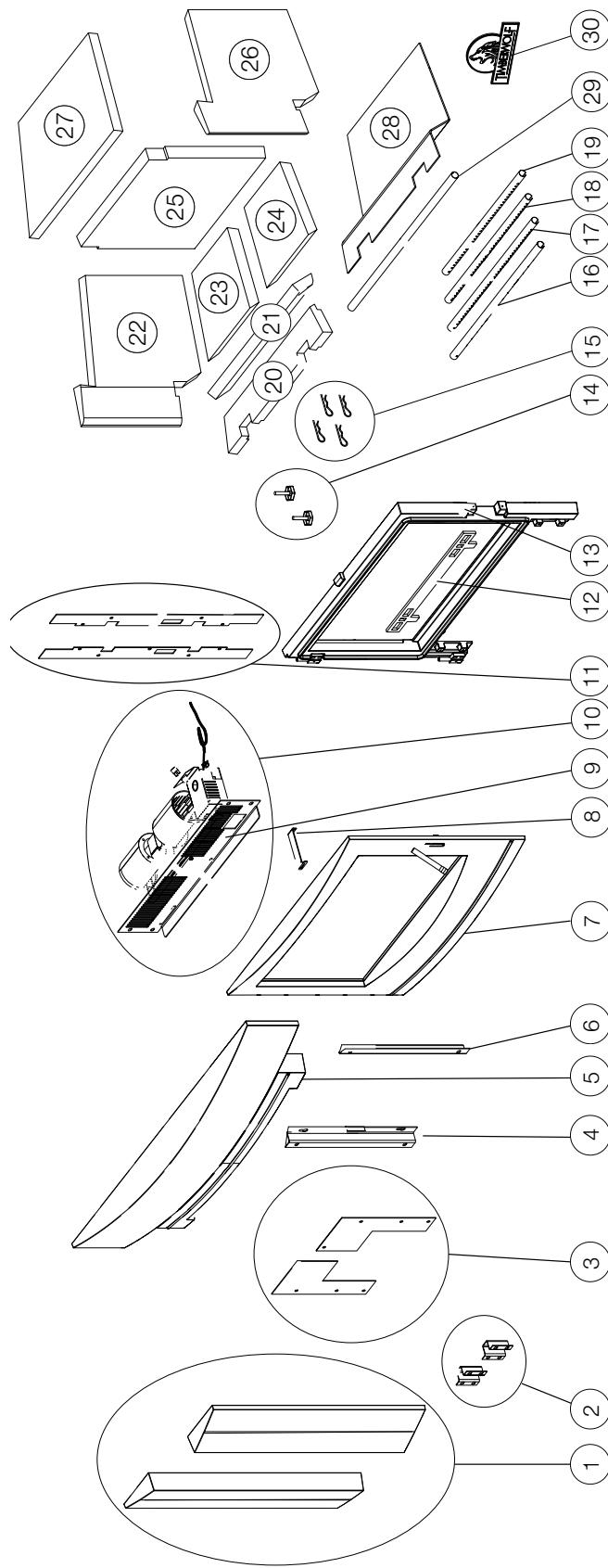
Pièces, numéro des pièces et s'il soit disponible peut changer sans préavis.

Parties identifiées comme garnie seront livrés dans 2 à 5 jours pour la plupart des destinations de livraison.

Pièces non identifiées que stockés seront livrés dans un délai de 2 à 4 semaines pour la plupart des cas.

Pièces identifiées comme « SO » sont commande spéciale et peuvent prendre jusqu'à 90 jours pour la livraison.

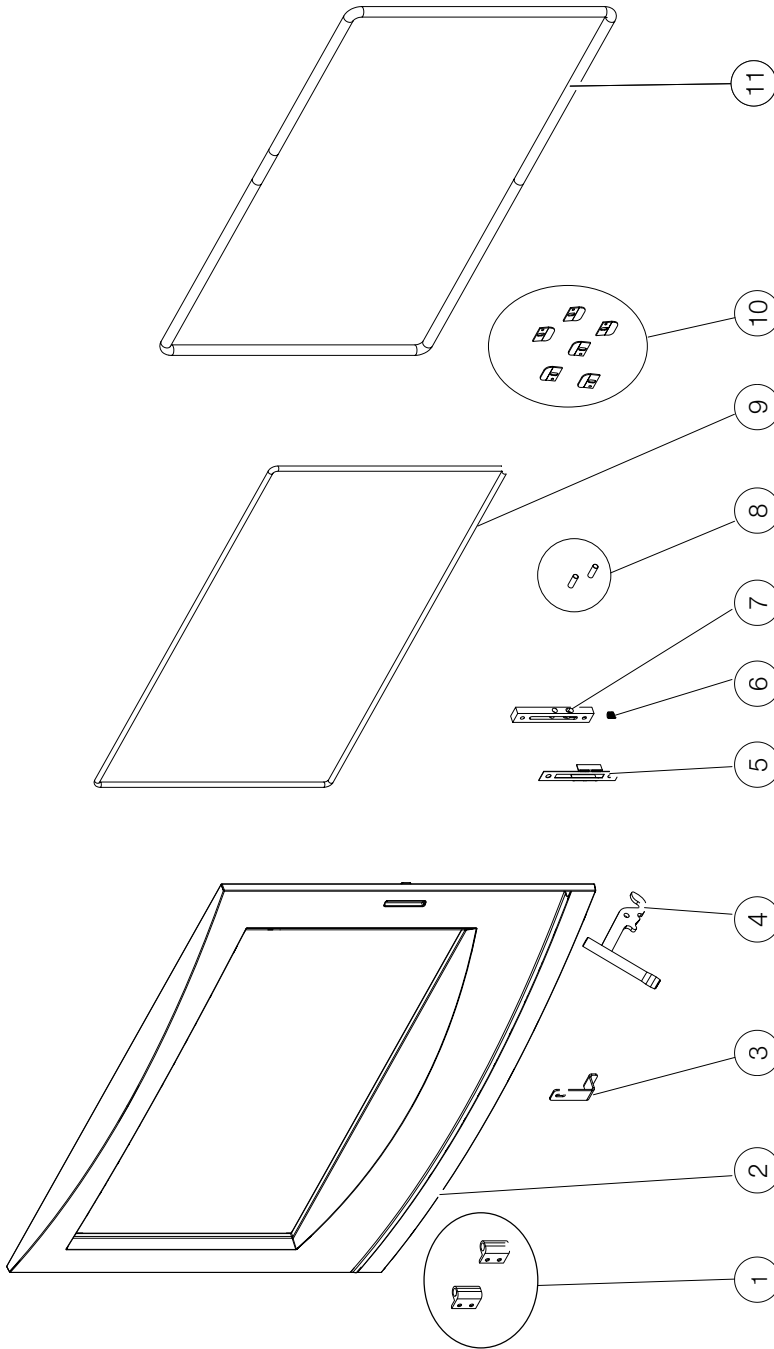
7.1 vue d'ensemble d'TI3C-1



Ces articles peuvent différer de ceux illustrés.

Réf.	No. de Pièce	Description	En Stock	Réf.	No. de Pièce	Description	En Stock
1	W135-0726	Garniture de côté de contour (X2)		16	W720-0191	Tuyau d'air secondaire n° 1	
2	W080-1234	Crochets de contour (X2)		17	W720-0192	Tuyau d'air secondaire n° 2	
3	W655-0899	Support de contour (X2)		18	W720-0193	Tuyau d'air secondaire n° 3	
4	W500-0966	Support de contour (côté gauche)		19	W720-0194	Tuyau d'air secondaire n° 4	
5	W135-0727	Garniture de sommet de contour		20	W090-0195	Brique de rebord avant	Oui
6	W500-0967	Support de contour (côté droit)		21	W090-0196	Brique avant	Oui
7	W010-4221	Assemblage de porte		22	W090-0191	Brique de côté gauche	Oui
8	W190-0053	Contrôle d'air		23	W090-0194	Brique inférieure (côté gauche)	Oui
9	W200-0356	Couvercle de soufflerie		24	W090-0193	Brique inférieure (côté droite)	Oui
10	W010-2882	Assemblage de soufflerie		25	W090-0190	Brique arrière	Oui
11	W500-0737	Retenue de coulée (X2)		26	W090-0192	Brique de côté droite	Oui
12	W715-0916	Retenue de bûches	Oui	27	W018-0133	Défecteur	Oui
13	W010-4220	Façade d'EPISC		28	W361-0189	Isolant de caisson	
14	N570-0031	Niveleurs (X2)	Oui	29	W720-0165	Tube de pilote	
15	W485-0047-SER	Épingle de goupille fendue (X4)	Oui	30	W385-2484	Logo Timberwolf	

7.2 assemblage de porte d'TI3C-1

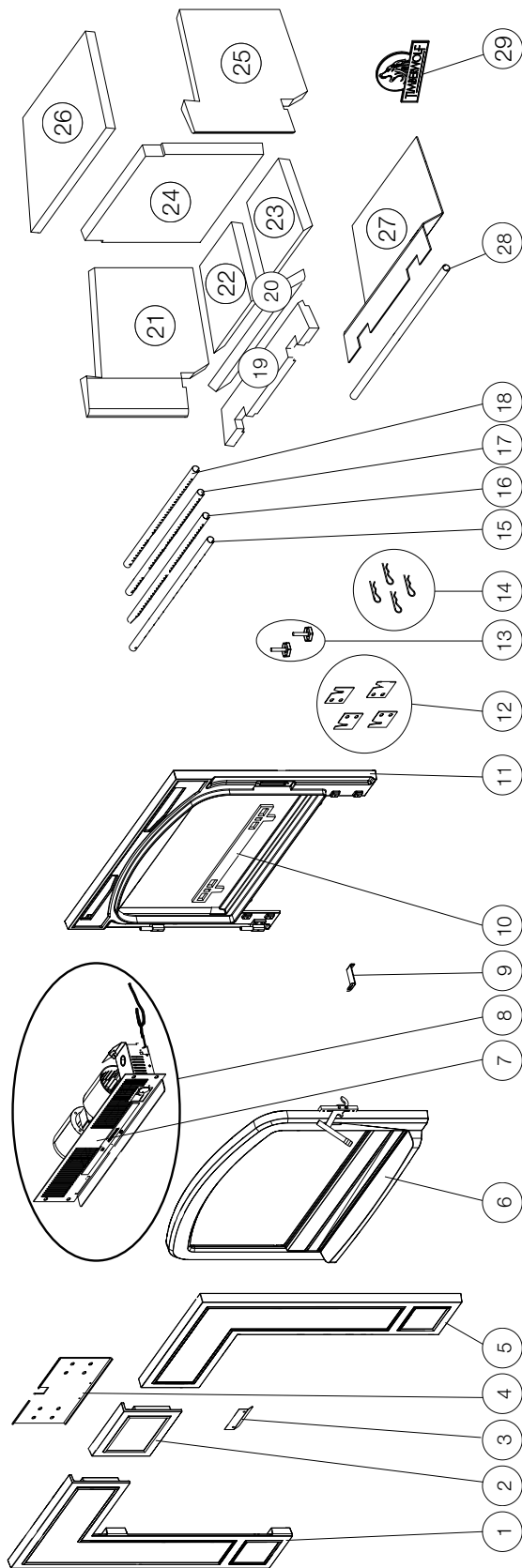


Ces articles peuvent différer de ceux illustrés.

Réf.	No. de Pièce	Description	En Stock
1	W330-0093	Poignée charnière (X2)	
2	W010-4221	Porte principale	
3	W080-1306	Support d'interrupteur de soufflente	
4	W325-0077-SER	Poignée de porte principale	Oui
5	W500-0700	Retenue de goupille	
6	W630-0024	Bobine	Oui
7	W060-0012-SER	Bloc de loquet de porte	Oui

Réf.	No. de Pièce	Description	En Stock
8	W485-0052	Goujons (X2)	
9	W562-0070	5 pi. de corde 1/4"	Oui
10	W500-0709-SER	Retenues de verre (X6)	Oui
11	W562-0004-SER	Joint d'étanchéité de corde 3/4"	Oui

7.3 vue d'ensemble d'TI3T-1

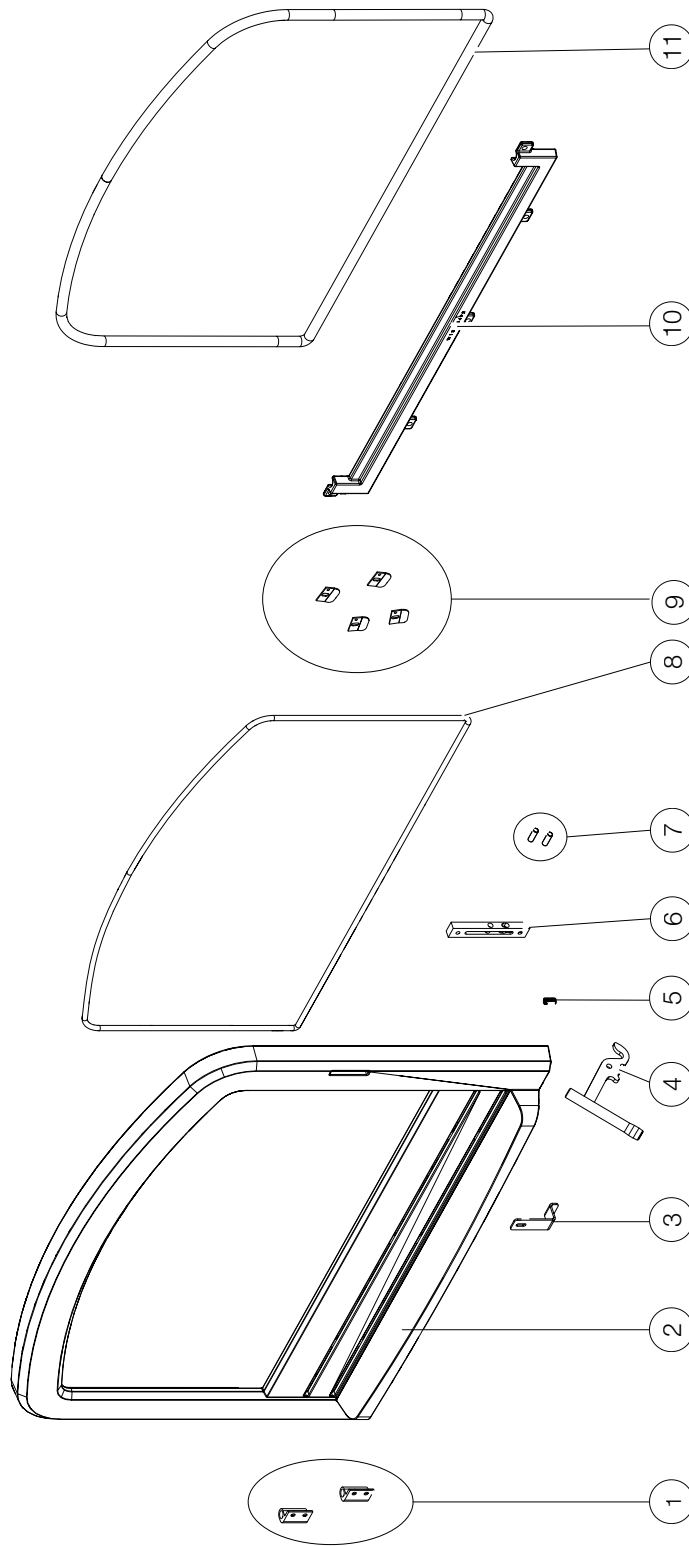


Ces articles peuvent différer de ceux illustrés.

Réf.	No. de Pièce	Description	En Stock
1	W135-0714	Contour, côté gauche	
2	W135-0713	Contour, centre	
3	W655-0469	Support de contour	
4	W080-1249	Support de fixation	
5	W135-0715	Contour, côté droite	
6	W010-4219	Assemblage de porte	
7	W200-0356	Couvercle de soufflerie	
8	W010-2882	Assemblage de soufflerie	
9	W190-0052	Contrôle d'air	
10	W715-0916	Retenue de bûches	Oui
11	W135-0642	Façade d'EP13T	
12	W500-0641	Plaque de retenue (X4)	
13	N570-0031	Niveleurs (X2)	Oui
14	W485-0047-SER	Épingle de goupille fendue (X4)	Oui
15	W720-0191	Tuyau d'air secondaire n° 1	Oui

Réf.	No. de Pièce	Description	En Stock
16	W720-0192	Tuyau d'air secondaire n° 2	
17	W720-0193	Tuyau d'air secondaire n° 3	
18	W720-0194	Tuyau d'air secondaire n° 4	
19	W090-0195	Brique de rabord avant	Oui
20	W090-0196	Brique avant	Oui
21	W090-0191	Brique de côté gauche	Oui
22	W090-0194	Brique inférieure (côté gauche)	Oui
23	W090-0193	Brique inférieure (côté droite)	Oui
24	W090-0190	Brique arrière	Oui
25	W090-0192	Brique de côté droite	Oui
26	W018-0133	Défecteur	Oui
27	W361-0189	Isolation de caisson	
28	W720-0165	Tube de pilote	
29	W385-2484	Logo Timberwolf	

7.4 assemblage de porte d'TI3T-1

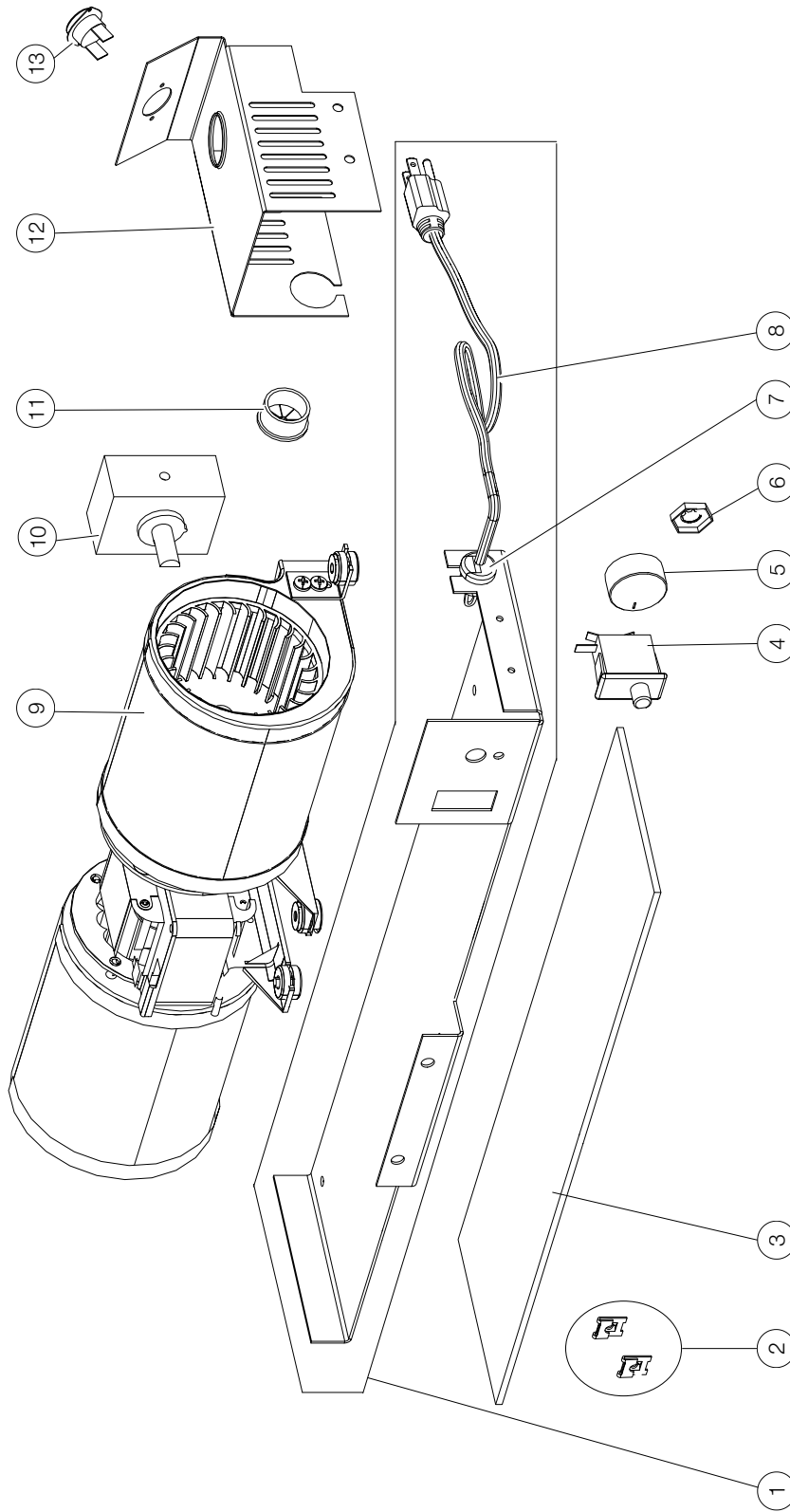


Ces articles peuvent différer de ceux illustrés.

Réf.	No. de Pièce	Description	En Stock
1	W330-0093	Charnière de porte (X2)	
2	W135-0641	Porte principale	
3	W080-1306	Support d'interrupteur de soufflerie	
4	W325-0077-SER	Poignée de porte principale	Oui
5	W630-0024	Bobine	Oui
6	W060-0012-SER	Bloc de loquet de porte	Oui
7	W485-0052	Goujon (X2)	

Réf.	No. de Pièce	Description	En Stock
8	W562-0070	5 pl. de corde 1/4"	Oui
9	W500-0709-SER	Retenue de verre (X4)	Oui
10	W135-0716	Retenue de verre	
11	W562-0004-SER	Joint d'étanchéité de corde 3/4"	Oui

7.5 assemblage de soufflerie d'TI3C-1/ T-1



Ces articles peuvent différer de ceux illustrés.

Réf.	No. de Pièce	Description	En Stock
1	W500-0719	Assemblage de plaque de soufflerie	
2	W450-0231	Écrous à ressort (X2)	
3	W290-0229	Joint amortisseur de vibrations	
4	W660-0176	Micro-commutateur	Oui
5	W380-0026	Bouton de soufflerie	Oui
6	W450-0023	Écrou de blocage	
7	W105-0002	Passe-câble	

Réf.	No. de Pièce	Description	En Stock
8	W750-0264	Harnais de fils	Oui
9	W062-0049	Soufflerie	Oui
10	W660-0019	Interrupteur à vitesse variable	
11	W105-0001	Bague	
12	W350-0689	Boîtier électrique	
13	W690-0002-SER	Thermodisque	Oui

AVERTISSEMENT

- Coupez l'alimentation électrique avant de procéder à l'entretien de l'appareil.
- L'appareil peut être chaud, attendez qu'il soit refroidi avant d'en faire l'entretien.
- N'utilisez pas de produits d'entretien abrasifs.
- Lorsque vous vérifiez des connexions, que vous installez des fils de dérivation (pour effectuer des tests uniquement) ou que vous remplacez des composants, débranchez l'appareil du réceptacle afin d'éviter les chocs électriques ou des dommages aux composants.

symptôme	solutions
Le feu ne s'allume pas.	<p>Pas assez de bois d'allumage/de papier? Ajoutez-en.</p> <p>Pas assez d'air? Assurez-vous que le contrôle d'air est complètement ouvert.</p> <p>Blocage d'air froid? Brûlez un morceau de papier journal pour créer un tirage.</p> <p>Utilisez du bois bien sec de 20% d'humidité.</p> <p>Conduit obstrué? Inspectez la cheminée.</p>
Présence de fumée lorsque la porte est ouverte.	<p>Blocage d'air froid? Brûlez un morceau de papier journal pour créer un tirage.</p> <p>Tirage insuffisant? Ajoutez des conduits.</p> <p>Laissez l'air se stabiliser avant d'ouvrir la porte.</p> <p>Assurez-vous que les déflecteurs sont bien positionnés.</p> <p>Pression négative? Ouvrez une fenêtre située près de l'appareil.</p>
Une odeur se dégage de l'appareil.	<p>Cuisson de la peinture, voir la section « instructions générales ».</p>
L'appareil ne devient pas suffisamment chaud.	<p>Le bois a plus de 20% d'humidité.</p> <p>Tirage insuffisant? Ajoutez des conduits.</p> <p>Pas assez d'air? Assurez-vous que le contrôle d'air est complètement ouvert. Assurez-vous que le contrôle d'air n'est pas obstrué.</p>
Le bois brûle trop rapidement.	<p>Le contrôle d'air doit possiblement être réduit.</p> <p>Assurez-vous que le couvercle de la chute à cendres est bien installé (s'il en est muni).</p> <p>Vérifiez que le joint d'étanchéité de la porte est bien hermétique.</p> <p>Le bois peut être extrêmement sec.</p>
Vitre sale.	<p>Le contrôle d'air peut être trop fermé.</p> <p>Faites des deux plus chauds et plus petits.</p> <p>Utilisez du bois bien chevronné avec 20% d'humidité.</p>
La soufflerie ne fonctionne pas.	<p>L'appareil n'a peut-être pas atteint sa température.</p> <p>Assurez-vous que la soufflerie est bien branchée.</p>
La soufflerie ne fonctionne pas.	<ul style="list-style-type: none"> - Le protecteur contre les surcharges thermique s'est déclenché. - Laissez l'appareil refroidir pour permettre au protecteur contre les surcharges thermiques de se réinitialiser automatiquement.
Le mécanisme du loquet coince/grince.	<ul style="list-style-type: none"> - Retirez le mécanisme du bloc de loquet et lubrifiez le ressort et les goupilles avec de la graisse. Voir la section « remplacement du mécanisme du bloc de loquet ».

9.0 garantie

FR

Les produits TIMBERWOLF sont fabriqués conformément aux normes strictes du Système de Gestion de la Qualité mondialement reconnu ISO 9001 : 2015.

Les produits TIMBERWOLF sont conçus avec des composants et des matériaux de qualité supérieure, assemblés par des artisans qualifiés qui sont fiers de leur travail. Une fois assemblé, chaque appareil est soigneusement inspecté par un technicien qualifié avant d'être emballé pour garantir que vous, le client, recevez le produit de qualité dont vous attendez de TIMBERWOLF.

GARANTIE LIMITÉE DES APPAREILS AU BOIS TIMBERWOLF

Les matériaux suivants et la fabrication de votre nouvel appareil TIMBERWOLF sont garantis contre les défauts tel que défini ci-dessous:

La chambre de combustion est garantie contre les défauts pour une période de 5 ans.

Les tuyaux d'air secondaire sont garantis contre les défauts pour une période de 5 ans.

Les composants électriques (110V) et les pièces soumises à l'usure sont couverts et TIMBERWOLF fournira gratuitement les pièces de rechange durant la première année de la garantie limitée. Ceci couvre: le soufflerie, les interrupteurs thermiques, les interrupteurs, l'installation électrique, les rhéostats, la brique réfractaire, la vitre en céramique (cassure thermique seulement), les déflecteurs en fibre et les joints d'étanchéité*

Les coûts de main-d'oeuvre relatifs aux réparations garanties ne sont pas couverts.

*La fabrication de chaque modèle varie. La garantie s'applique uniquement aux composants disponibles avec votre appareil.

CONDITIONS ET LIMITATIONS

Wolf Steel garantit ses produits TIMBERWOLF contre les défauts de fabrication à l'acheteur d'origine seulement. L'enregistrement de la garantie n'est pas nécessaire. Fournissez simplement une preuve d'achat ainsi que le modèle et le numéro de série afin d'effectuer une réclamation de garantie. L'achat doit avoir été fait par l'entremise d'un détaillant TIMBERWOLF autorisé et sous réserve des conditions et limitations suivantes:

La couverture de la garantie débute à partir de la date d'installation originale.

Cette garantie n'est pas transférable et ne peut être prolongée ou étendue par aucun de nos représentants quelle qu'en soit la raison.

L'appareil doit être installé par un installateur ou un entrepreneur qualifié. L'installation doit être faite conformément aux instructions d'installation incluses avec le produit et à tous les codes d'incendie et de construction locaux et nationaux.

Cette garantie limitée ne couvre pas les dommages causés par un mauvais usage, un manque d'entretien, un accident, des altérations, des abus ou de la négligence. Faire fonctionner l'appareil au réglage maximal pendant des périodes prolongées constitue de la négligence. Faire fonctionner l'appareil au réglage maximal pendant des périodes prolongées constitue de la négligence. L'installation de pièces d'autres fabricants annulera cette garantie.

Cette garantie limitée ne couvre pas non plus les égratignures, le bossellement, la corrosion ou la décoloration causée par une chaleur excessive, des produits d'entretien chimiques et abrasifs ou l'écaillage des pièces en porcelaine émaillée, le bris de tout composant de ventilation utilisé dans l'installation de l'appareil.

Au cours de la première année seulement, cette garantie s'étend à la réparation ou au remplacement des pièces garanties dont les matériaux ou la fabrication sont défectueux sous condition que le produit ait été utilisé conformément aux instructions de fonctionnement et dans des conditions normales.

Après la première année, concernant cette Garantie à Vie Limitée TIMBERWOLF, Wolf Steel peut, à sa discrétion, se libérer entièrement de toutes obligations en ce qui concerne cette garantie en remboursant à l'acheteur d'origine le prix de gros de toute pièce garantie qui est défectueuse.

Après la première année, Wolf Steel ltée ne sera pas responsable de l'installation, de la main-d'oeuvre ou autres coûts ou dépenses relatives à la réinstallation d'une pièce garantie et de telles dépenses ne sont pas couvertes par cette garantie.

Nonobstant toutes les dispositions contenues dans cette Garantie à Vie Limitée TIMBERWOLF, la responsabilité de Wolf Steel sous cette garantie est définie comme ci-dessus et elle ne s'étendra à aucun dommage accidentel, consécutif ou indirect.

Cette garantie définit l'obligation et la responsabilité de Wolf Steel en ce qui concerne l'appareil TIMBERWOLF. Toute autre garantie énoncée ou implicite en ce qui concerne ce produit, ses composants ou accessoires est exclue.

Wolf Steel n'endosse ni n'autorise aucun tiers à assumer en son nom toute autre responsabilité concernant la vente de ce produit. Wolf Steel ne sera pas responsable d'une surchauffe, des refoulements, des déversements causés par des conditions environnementales telles que des toits, des bâtiments, la proximité d'arbres, de collines, de montagnes, une ventilation ou des événements inadéquats, des configurations d'évacuation excessives, un apport d'air insuffisant ou des pressions négatives qui peuvent ou non être causés par des systèmes mécaniques tels que les ventilateurs d'évacuation, les fournaies, les sèche-linge, etc.

Le nettoyage régulier de la fine cendre générée durant le fonctionnement de cet appareil est nécessaire au bon entretien de votre appareil. Tout dommage aux composants qui est attribuable à un manque d'entretien ne sera pas couvert par cette garantie.

Wolf Steel se réserve le droit de demander à son représentant d'inspecter tout produit ou pièce TIMBERWOLF avant d'honorer toute réclamation.

Toutes les pièces remplacées en vertu de la politique de Garantie limitée ne peuvent faire l'objet que d'une seule réclamation.

Durant les 10 premières années, Wolf Steel remplacera ou réparera les pièces défectueuses qui sont couvertes par la garantie à vie limitée à sa discrétion gratuitement. Après les dix premières années, Wolf Steel fournira les pièces de rechange à 50 % du prix de détail courant.

Toutes les pièces remplacées au titre de la garantie seront couvertes pour une période de 90 jours à partir de leur date d'installation.

Le fabricant peut exiger que les pièces défectueuses ou les produits soient retournés ou que des photos numériques soient fournies pour valider la réclamation. Les produits retournés doivent être expédiés port payé au fabricant pour une inspection en usine. Si un produit est déclaré défectueux, le fabricant le réparera ou le remplacera.

Avant d'expédier votre appareil ou les pièces défectueuses, votre détaillant doit obtenir un numéro d'autorisation. Toute marchandise expédiée à notre usine sans autorisation sera refusée et retournée à l'expéditeur.

Les coûts d'expédition ne sont pas couverts par cette garantie.

Des frais de service supplémentaires peuvent être appliqués si vous cherchez à obtenir des services au titre de la garantie auprès d'un détaillant.

Les frais de déplacement pour main-d'oeuvre, de tests de diagnostic, d'expédition et autres frais afférents ne sont pas couverts par cette garantie.

TOUTES LES SPÉCIFICATIONS ET LES CONCEPTIONS SONT SUJETTES À MODIFICATIONS SANS PRÉAVIS EN RAISON DES AMÉLIORATIONS CONSTANTES APPORTÉES AU PRODUIT.



TIMBERWOLF

Produits et distribués par:

WOLF STEEL LTD.

24 Napoleon Road, Barrie, Ontario, Canada L4M 0G8
Tél: 1-866-820-8686

timberwolffireplaces.com