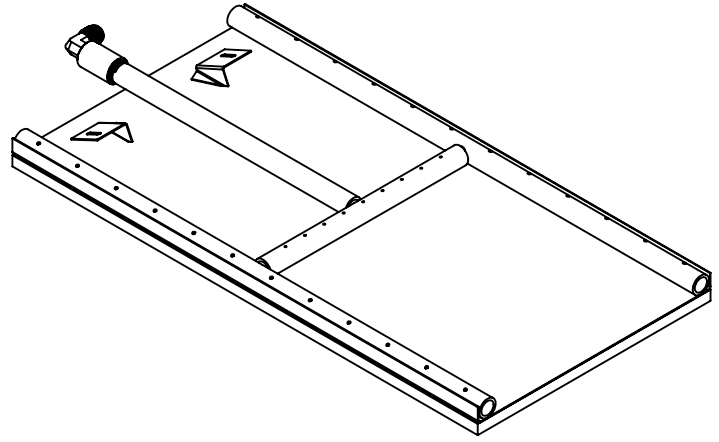
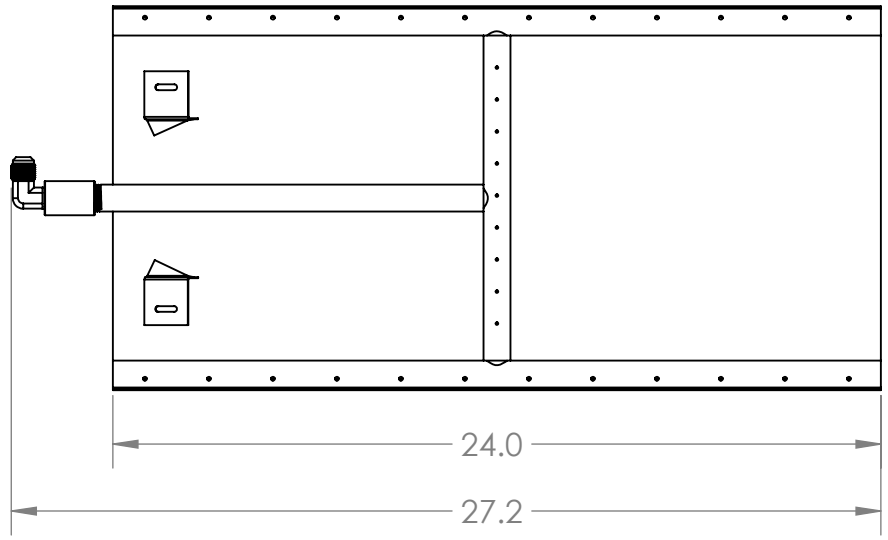


2

1

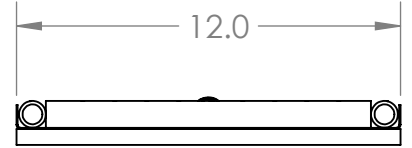
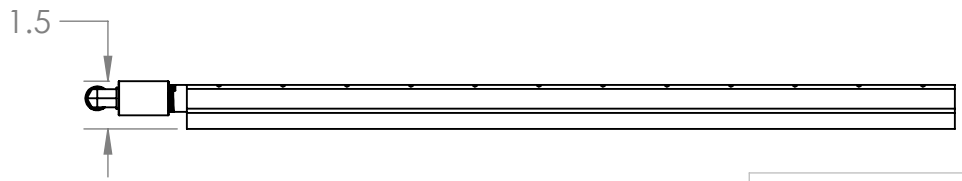
REVISIONS			
REV.	DESCRIPTION	DATE	APPROVED
A	RELEASED FOR PRODUCTION	8/9/22	

B



B

A



A

BRANDED: GRAND CANYON GAS LOGS
MODEL #: GLASSBRN-24/12-H



UNLESS OTHERWISE SPECIFIED:		NAME	DATE	RPG BRANDS TITLE: GLASSBRN-24/12-H				
DIMENSIONS ARE IN INCHES		DRAWN	RG			8/2/22		
TOLERANCES:		CHECKED	DF			8/10/22		
BEND +2/-0		ENG APPR.						
ONE PLACE DECIMAL ±.125		MFG APPR.						
TWO PLACE DECIMAL ±.0625		Q.A.						
INTERPRET GEOMETRIC TOLERANCING PER:		PROPRIETARY AND CONFIDENTIAL THE INFORMATION CONTAINED IN THIS DRAWING IS THE SOLE PROPERTY OF RICHARDSON'S PRODUCT GROUP. ANY REPRODUCTION IN PART OR AS A WHOLE WITHOUT THE WRITTEN PERMISSION OF RICHARDSON'S PRODUCT GROUP IS PROHIBITED.			SIZE	DWG. NO.	REV	
MATERIAL					A	02-00693	A	
FINISH					SCALE: 1:6		WEIGHT:	SHEET 1 OF 1
DO NOT SCALE DRAWING								

2

1