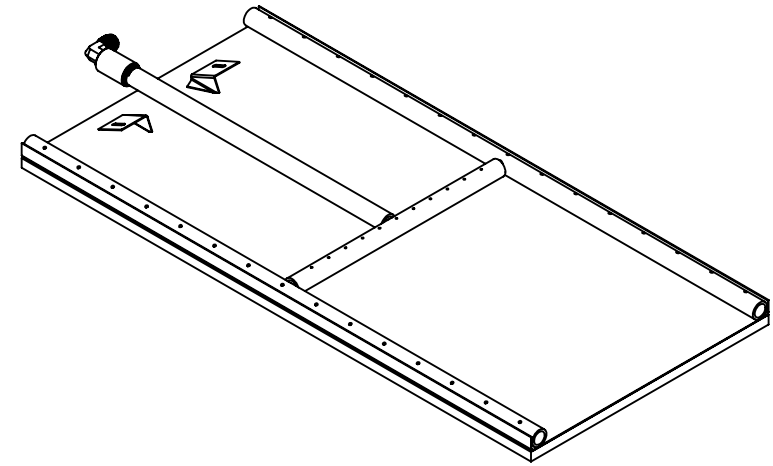
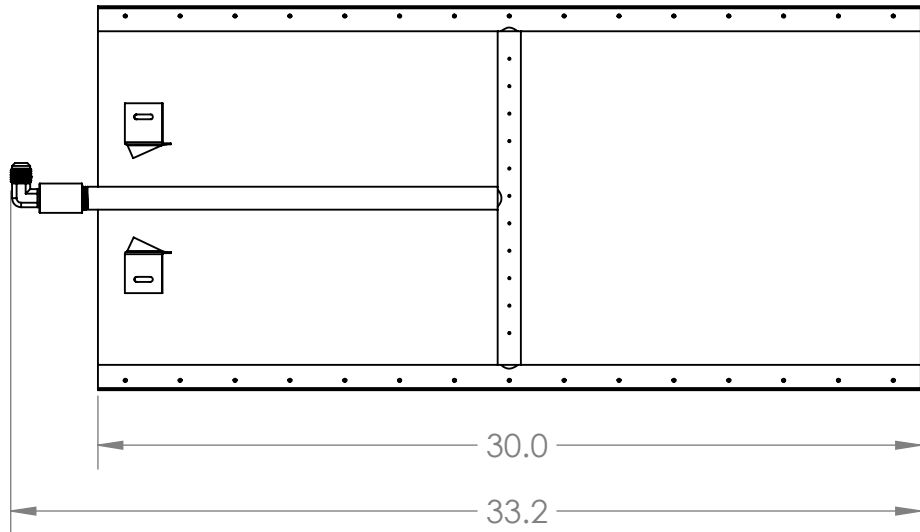


2

1

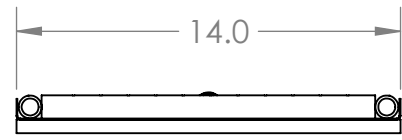
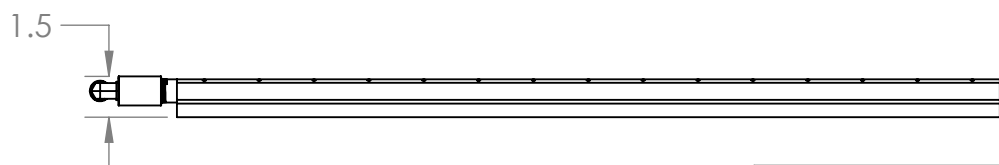
REVISIONS			
REV.	DESCRIPTION	DATE	APPROVED
A	RELEASED FOR PRODUCTION	8/9/22	

B



B

A



BRANDED: GRAND CANYON GAS LOGS  
MODEL #: GLASSBRN-30/14-H



UNLESS OTHERWISE SPECIFIED:

DIMENSIONS ARE IN INCHES  
TOLERANCES:  
BEND +2/-0  
ONE PLACE DECIMAL ±.125  
TWO PLACE DECIMAL ±.0625

INTERPRET GEOMETRIC  
TOLERANCING PER:

MATERIAL

FINISH

DO NOT SCALE DRAWING

	NAME	DATE
DRAWN	RG	8/2/22
CHECKED	DF	8/10/22
ENG APPR.		
MFG APPR.		
Q.A.		

**PROPRIETARY AND CONFIDENTIAL**  
THE INFORMATION CONTAINED IN  
THIS DRAWING IS THE SOLE PROPERTY  
OF RICHARDSON'S PRODUCT  
GROUP. ANY REPRODUCTION IN  
PART OR AS A WHOLE WITHOUT THE  
WRITTEN PERMISSION OF  
RICHARDSON'S PRODUCT GROUP IS  
PROHIBITED.

**RPG BRANDS**

TITLE:

GLASSBRN-30/14-H

SIZE	DWG. NO.	REV
<b>A</b>	02-00694	A
SCALE: 1:7	WEIGHT:	SHEET 1 OF 1

2

1

A