

4

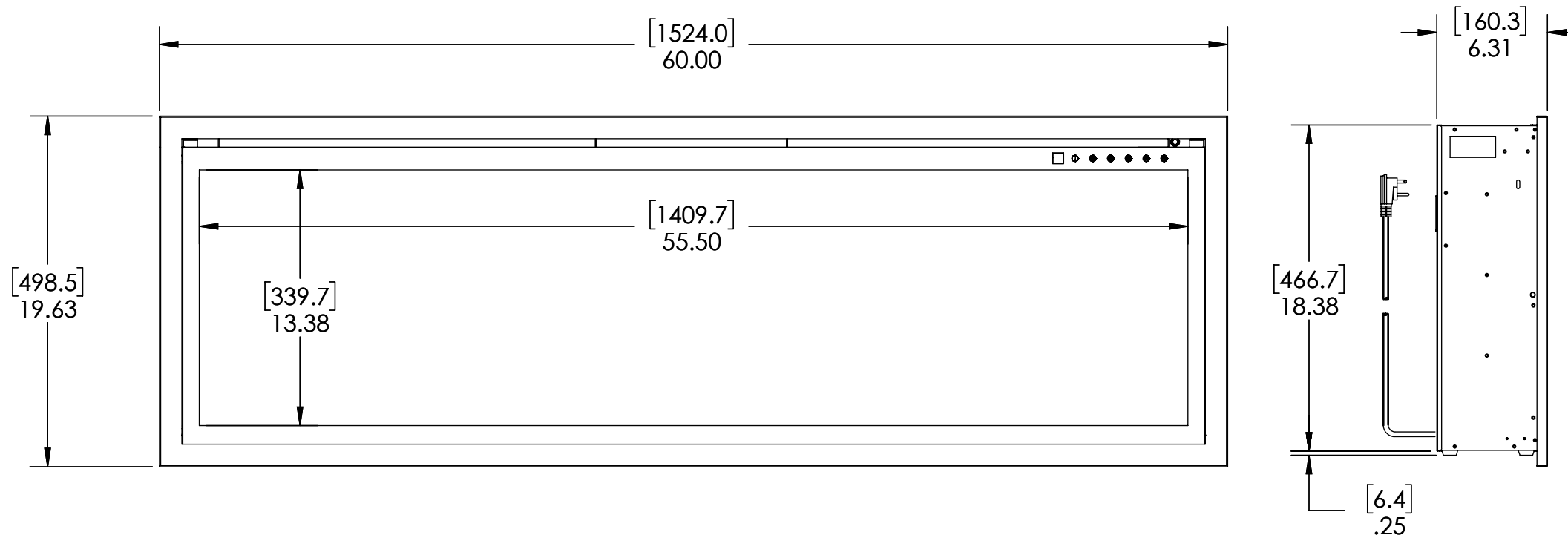
3

2

1

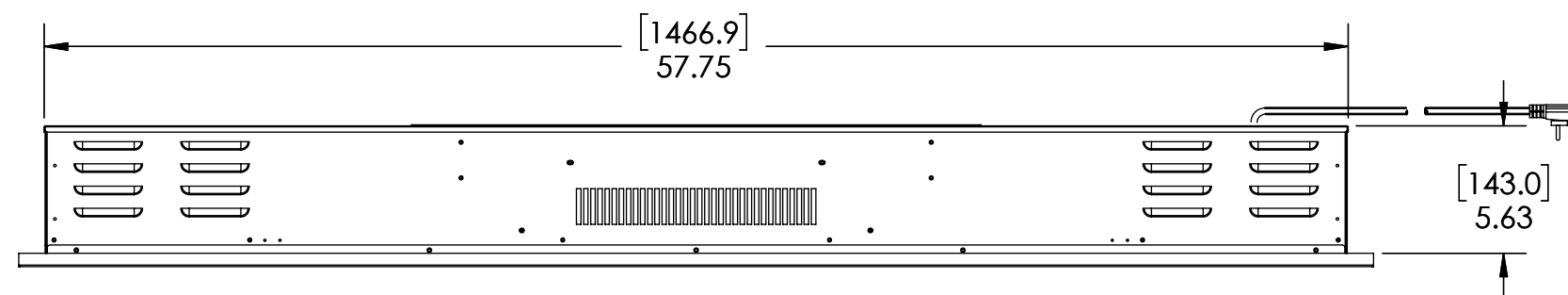
REVISIONS				
ZONE	REV.	DESCRIPTION	DATE	APPROVED

B



B

A



A

UNLESS OTHERWISE SPECIFIED:	NAME	DATE	<b>RPG BRANDS</b>		
DIMENSIONS ARE IN INCHES	DRAWN				
TOLERANCES:	CHECKED		TITLE: ORION SLIM 60"		
FRACTIONAL ±	ENG APPR.				
ANGULAR: MACH ±1° BEND ±1	MFG APPR.				
TWO PLACE DECIMAL ±.010	Q.A.		SIZE	DWG. NO.	REV
THREE PLACE DECIMAL ±.005	<b>PROPRIETARY AND CONFIDENTIAL</b> THE INFORMATION CONTAINED IN THIS DRAWING IS THE SOLE PROPERTY OF RICHARDSON'S PRODUCT GROUP. ANY REPRODUCTION IN PART OR AS A WHOLE WITHOUT THE WRITTEN PERMISSION OF RICHARDSON'S PRODUCT GROUP IS PROHIBITED.		<b>B</b>		
INTERPRET GEOMETRIC TOLERANCING PER:	DO NOT SCALE DRAWING		SCALE: 1:8	WEIGHT:	SHEET 1 OF 1

4

3

2

1