

Installation Manual

Installation and Appliance Setup

CAUTION! Risk of Fire! DO NOT store instruction manuals inside fireplace cavity. High temperatures could cause a fire.

INSTALLER: Leave this manual with the appliance, not inside the appliance.

CONSUMER: Retain this manual for future reference. Do not store inside the appliance.

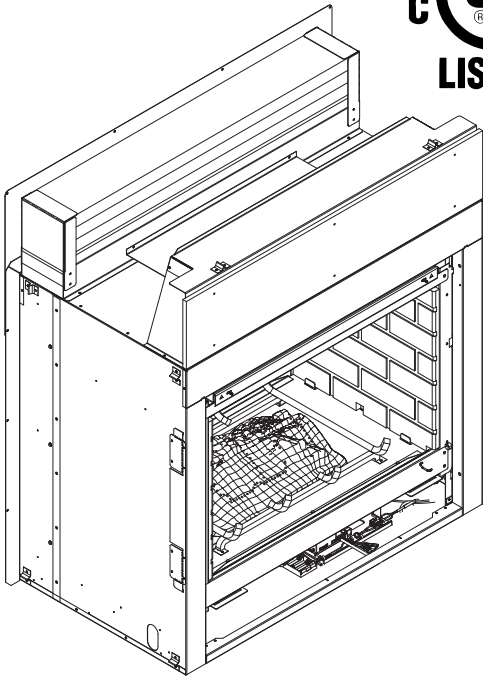
NOTICE: DO NOT discard this manual!

outdoor
lifestyles
by hearth & home technologies®

Models:

TWILIGHT-IFT

GAS-FIRED



This appliance may be installed as an OEM installation in manufactured home (USA only) or mobile home and must be installed in accordance with the manufacturer's instructions and the *Manufactured Home Construction and Safety Standard, Title 24 CFR, Part 3280* in the United States, or the *Standard for Installation in Mobile Homes, CAN/CSA Z240 MH Series*, in Canada.

This appliance is only for use with the type(s) of gas indicated on the rating plate. This appliance is not convertible for use with other gases, unless a certified kit is used.

▲ WARNING:

FIRE OR EXPLOSION HAZARD

Failure to follow safety warnings exactly could result in serious injury, death, or property damage.

- **DO NOT** store or use gasoline or other flammable vapors and liquids in the vicinity of this or any other appliance.
- **What to do if you smell gas**
 - **DO NOT** try to light any appliance.
 - **DO NOT** touch any electrical switch. **DO NOT** use any phone in your building.
 - Leave the building immediately.
 - Immediately call your gas supplier from a neighbor's phone. Follow the gas supplier's instructions.
 - If you cannot reach your gas supplier, call the fire department.
- Installation and service must be performed by a qualified installer, service agency, or the gas supplier.

! DANGER



HOT GLASS WILL CAUSE BURNS.

DO NOT TOUCH GLASS UNTIL COOLED.

NEVER ALLOW CHILDREN TO TOUCH GLASS.

A barrier designed to reduce the risk of burns from the hot viewing glass is provided with this appliance and must be installed for the protection of children and other at-risk individuals.

Pour demander un exemplaire en français de ce manuel d'installation, visitez www.hearthnhome.com ←

▲ Safety Alert Key:

- **DANGER!** Indicates a hazardous situation which, if not avoided will result in death or serious injury.
- **WARNING!** Indicates a hazardous situation which, if not avoided could result in death or serious injury.
- **CAUTION!** Indicates a hazardous situation which, if not avoided, could result in minor or moderate injury.
- **NOTICE:** Used to address practices not related to personal injury.

Note: The term “recommend” or “recommended” does not indicate a requirement. It is a best practice suggested by Hearth & Home Technologies®.

Table of Contents

Installation Standard Work Checklist	3	7 Gas Information	
1 Product Specific and Important Safety Information		A. Fuel Conversion	22
A. Appliance Certification	4	B. Gas Pressure	22
B. Glass Specifications	4	C. Gas Connection	22
C. Thermal Performance Data	4	D. High Altitude Installations	22
D. Air Infiltration, Water Resistance and Structural Tests . . .	4	E. Air Shutter Setting	23
E. BTU Specifications	4	8 Finishing	
F. High Altitude Installations	5	A. Mantel and Wall Projections	24
G. Non-Combustible Materials Specification	5	B. Decorative Barrier Front Selection	25
H. Combustible Materials Specification	5	→ C. Facing Material	28
I. Electrical Codes	5	9 Appliance Setup	
J. California	5	A. Fixed Glass Assembly	32
K. Requirements for the Commonwealth of Massachusetts . .	6	B. Remove the Shipping Materials	33
2 Getting Started		C. Clean the Appliance	33
→ A. Design and Installation Considerations	7	D. Lava Rock and Ember Placement	33
B. Good Faith Wall Surface/TV Guidelines	8	E. Install the Log Assembly	34
C. Tools and Supplies Needed	10	F. Appliance Start Up	36
D. Inspect Appliance and Components	10	10 Reference Materials	
3 Framing and Clearances		A. Accessories	37
A. Appliance Dimension Diagram	11		
B. Clearances to Combustibles	12		
→ C. Floor Protection	13		
4 Termination Location and Vent Information			
A. Vent Terminal Clearances	14		
5 Appliance Preparation			
A. Removing Non-combustible Facing Material Assembly . .	15		
B. Securing and Leveling the Appliance	15		
C. Installing Non-combustible Facing Material (Outdoor Side)B	15		
6 Electrical Information			
A. General Information	19		
B. Wiring Requirements	21		

→ = Contains updated information.

Installation Standard Work Checklist

ATTENTION INSTALLER: Follow this Standard Work Checklist

This standard work checklist is to be used by the installer in conjunction with, not instead of, the instructions contained in this installation manual.

Customer: _____	Date Installed: _____
Lot/Address: _____	Location of Fireplace: _____
_____	Installer: _____
Model (circle one): TWILIGHT-IFT	Dealer/Distributor Phone # _____
	Serial #: _____

WARNING! Risk of Fire or Explosion! Failure to install appliance according to these instructions could lead to a fire or explosion. Install *ONLY* components and accessories approved by Hearth & Home Technologies. Unapproved components and accessories could cause fireplace to overheat.

Appliance Install	YES	IF NO, WHY?
Required non-combustible board is installed. (Pg. 18)	<input type="checkbox"/>	_____
Verified clearances to combustibles. (Pg. 12-13)	<input type="checkbox"/>	_____
Fireplace is leveled and secured. (Pg. 15)	<input type="checkbox"/>	_____
Electrical Section 6 (Pg 19-21)		
Unswitched power (110-120 VAC) provided to the appliance.	<input type="checkbox"/>	_____
Switch wires properly installed.	<input type="checkbox"/>	_____
Gas Section 7 (Pg 22-23)		
Proper appliance for fuel type.	<input type="checkbox"/>	_____
Was a conversion performed?	<input type="checkbox"/>	_____
Leak check performed and inlet pressure verified.	<input type="checkbox"/>	_____
Verified proper air shutter setting for installation type.	<input type="checkbox"/>	_____
Finishing Section 8 (Pg 24-31)		
Combustible materials not installed in non-combustible areas.	<input type="checkbox"/>	_____
Verified all clearances meet installation manual requirements.	<input type="checkbox"/>	_____
Mantels and wall projections comply with installation manual requirements.	<input type="checkbox"/>	_____
Appliance Setup Section 9 (Pg 32-36)		
All packaging and protective materials removed (inside & outside of appliance).	<input type="checkbox"/>	_____
Refractories, logs, media and embers installed correctly.	<input type="checkbox"/>	_____
Glass assembly installed and secured.	<input type="checkbox"/>	_____
Accessories installed properly.	<input type="checkbox"/>	_____
Mesh, doors, or decorative front properly installed.	<input type="checkbox"/>	_____
Manual bag and all of its contents are removed from inside/under the appliance and given to party responsible for use and operation.	<input type="checkbox"/>	_____
Started appliance and verified no gas leaks exist.	<input type="checkbox"/>	_____

- Hearth & Home Technologies recommends the following:**
- Photographing the installation and copying this checklist for your file.
 - That this checklist remain visible at all times on the appliance until the installation is complete.

Comments: Further description of the issues, who is responsible (Installer/ Builder/ Other Trades, etc) and corrective action needed _____

Comments Communicated to party responsible _____ by _____ on _____
 (Builder / Gen. Contractor/) (Installer) (Date)

➔ = Contains updated information.

1 Product Specific and Important Safety Information

A. Appliance Certification

MODEL: TWILIGHT-IFT
LABORATORY: Underwriters Laboratories, Inc. (UL)
TYPE: Direct Vent Gas Appliance
STANDARD: ANSI Z21.50-2019 CSA 2.22-2019

NOTICE: This installation must conform with local codes. In the absence of local codes you must comply with the National Fuel Gas Code, ANSI Z223.1-latest edition in the U.S.A. and the CAN/CGA B149 Installation Codes in Canada.

This product is listed to ANSI standards for “Vented Decorative Gas Appliances” (and “Gas Fired Appliances for Use at High Altitudes”.)* Also Certified for Installation in a Bedroom or a Bedsitting Room.

NOT INTENDED FOR USE AS A HEAT SOURCE.

This appliance is decorative in nature and not intended to be a source of heat.

NOT FOR USE WITH SOLID FUEL.

This appliance is not intended to burn solid fuel.

B. Glass Specifications

Tempered Glass (Interior Glass)

Hearth & Home Technologies appliances manufactured with tempered glass may be installed in hazardous locations such as bathtub enclosures as defined by the Consumer Product Safety Commission (CPSC). The tempered glass has been tested and certified to the requirements of **ANSI Z97.1** and **CPSC 16 CFR 1202** (Safety Glazing Certification Council **SGCC# 1595** and **1597**. Architectural Testing, Inc. Reports **02-31919.01** and **02-31917.01**).

This statement is in compliance with **CPSC 16 CFR Section 1201.5** “Certification and labeling requirements” which refers to **15 U.S. Code (USC) 2063** stating “...Such certificate shall accompany the product or shall otherwise be furnished to any distributor or retailer to whom the product is delivered.”

Some local building codes require the use of tempered glass with permanent marking in such locations. Glass meeting this requirement is available from the factory. Please contact your dealer or distributor to order.

Ceramic Glass (Exterior Glass)

This appliance is equipped with ceramic glass. Replace glass only with ceramic glass. Please contact your dealer for replacement glass.

C. Thermal Performance Data

Model: TWILIGHT-IFT		
Sound Transmission Class (STC)	Thermal Resistance (R Value)	Thermal Conductivity (K Value)
27	0.8hr-sq ft-°F/BTU	1.25 BTU-in/hr-sq ft-°F

D. Air Infiltration, Water Resistance and Structural Tests

The Hearth & Home Technologies TWILIGHT-IFT Indoor/Outdoor Appliance was tested to the following ASTM standards at the Stork Twin City Testing laboratory.

Air infiltration test **ASTM:E283-(04)**. The sample was tested at 1.57 psf (equivalent to a 25-mph windload). Water resistance test **ASTM:E331-00**. The test specimen was tested at the requested test pressures of 8.0 & 25.0 psf.

Structural test **ASTM:E330-02**. The unit was tested to a design pressure of 50-psf, a test pressure of 75-psf.

Test Results

Model	Air Infiltration (ASTM E283)	Water Resistance (ASTM E331)	Structural Load (ASTM E330)
TWILIGHT-IFT Indoor/Outdoor	0.07CFM/ft2	No leakage @ 8psf & 25psf	No Blowout @ 75psf

E. BTU Specifications

Model	Input BTU/h	Orifice Size (DMS)
TWILIGHT-IFT (NG)	U.S. or Canada (0-2000 ft)	38,000
	Canada (2000-4500 ft)	34,200
TWILIGHT-IFT (Propane)	U.S. or Canada (0-2000 ft)	50
	Canada (2000-4500 ft)	51

F. High Altitude Installations

NOTICE: *If the heating value of the gas has been reduced, these rules do not apply. Check with your local gas utility or authorities having jurisdiction.*

When installing above 2000 feet elevation:

- In the USA: Reduce input rate 4% for each 1000 feet above 2000 feet.
- In CANADA: Input ratings are certified without a reduction of input rate for elevations up to 4500 feet (1370 m) above sea level. Please consult provincial and/or local authorities having jurisdiction for installations at elevations above 4500 feet (1370 m).

Check with your local gas utility to determine proper orifice size.

G. Non-Combustible Materials Specification

Material which will not ignite and burn. Such materials are those consisting entirely of steel, iron, brick, tile, concrete, slate, glass or plasters, or any combination thereof.

Materials that are reported as passing **ASTM E 136, Standard Test Method for Behavior of Materials in a Vertical Tube Furnace at 750 °C** shall be considered non-combustible materials.

H. Combustible Materials Specification


Materials made of or surfaced with wood, compressed paper, plant fibers, plastics, or other material that can ignite and burn, whether flame proofed or not, or plastered or unplastered shall be considered combustible materials.

I. Electrical Codes

NOTICE: *This appliance must be electrically wired and grounded in accordance with local codes or, in the absence of local codes, with **National Electric Code ANSI/NFPA 70-latest edition** or the **Canadian Electric Code CSA C22.1**.*

- A 110/120 VAC circuit for this product must be protected with ground-fault circuit-interrupter protection, in compliance with the applicable electrical codes, when it is installed in locations such as in bathrooms or near sinks.

J. California

 **WARNING:** This product and the fuels used to operate this product (liquid propane or natural gas), and the products of combustion of such fuels, can expose you to chemicals including benzene, which is known to the State of California to cause cancer and reproductive harm. For more information go to: www.P65Warnings.ca.gov.

Note: The following requirements reference various Massachusetts and national codes not contained in this document.

K. Requirements for the Commonwealth of Massachusetts

For all side wall horizontally vented gas fueled equipment installed in every dwelling, building or structure used in whole or in part for residential purposes, including those owned or operated by the Commonwealth and where the side wall exhaust vent termination is less than seven (7) feet above finished grade in the area of the venting, including but not limited to decks and porches, the following requirements shall be satisfied:

Installation of Carbon Monoxide Detectors

At the time of installation of the side wall horizontal vented gas fueled equipment, the installing plumber or gas fitter shall observe that a hard wired carbon monoxide detector with an alarm and battery back-up is installed on the floor level where the gas equipment is to be installed. In addition, the installing plumber or gas fitter shall observe that a battery operated or hard wired carbon monoxide detector with an alarm is installed on each additional level of the dwelling, building or structure served by the side wall horizontal vented gas fueled equipment. It shall be the responsibility of the property owner to secure the services of qualified licensed professionals for the installation of hard wired carbon monoxide detectors.

In the event that the side wall horizontally vented gas fueled equipment is installed in a crawl space or an attic, the hard wired carbon monoxide detector with alarm and battery back-up may be installed on the next adjacent floor level.

In the event that the requirements of this subdivision can not be met at the time of completion of installation, the owner shall have a period of thirty (30) days to comply with the above requirements; provided, however, that during said thirty (30) day period, a battery operated carbon monoxide detector with an alarm shall be installed.

Approved Carbon Monoxide Detectors

Each carbon monoxide detector as required in accordance with the above provisions shall comply with NFPA 720 and be ANSI/UL 2034 listed and IAS certified.

Signage

A metal or plastic identification plate shall be permanently mounted to the exterior of the building at a minimum height of eight (8) feet above grade directly in line with the exhaust vent terminal for the horizontally vented gas fueled heating appliance or equipment. The sign shall read, in print size no less than one-half (1/2) in. in size, "**GAS VENT DIRECTLY BELOW. KEEP CLEAR OF ALL OBSTRUCTIONS**".

Inspection

The state or local gas inspector of the side wall horizontally vented gas fueled equipment shall not approve the installation unless, upon inspection, the inspector observes carbon monoxide detectors and signage installed in accordance with the provisions of 248 CMR 5.08(2)(a)1 through 4.

Exemptions

The following equipment is exempt from 248 CMR 5.08(2)(a)1 through 4:

- The equipment listed in Chapter 10 entitled "Equipment Not Required To Be Vented" in the most current edition of NFPA 54 as adopted by the Board; and
- Product Approved side wall horizontally vented gas fueled equipment installed in a room or structure separate from the dwelling, building or structure used in whole or in part for residential purposes.

MANUFACTURER REQUIREMENTS

Gas Equipment Venting System Provided

When the manufacturer of Product Approved side wall horizontally vented gas equipment provides a venting system design or venting system components with the equipment, the instructions provided by the manufacturer for installation of the equipment and the venting system shall include:

- Detailed instructions for the installation of the venting system design or the venting system components; and
- A complete parts list for the venting system design or venting system.

Gas Equipment Venting System NOT Provided

When the manufacturer of a Product Approved side wall horizontally vented gas fueled equipment does not provide the parts for venting the flue gases, but identifies "special venting systems", the following requirements shall be satisfied by the manufacturer:

- The referenced "special venting system" instructions shall be included with the appliance or equipment installation instructions; and
- The "special venting systems" shall be Product Approved by the Board, and the instructions for that system shall include a parts list and detailed installation instructions.

A copy of all installation instructions for all Product Approved side wall horizontally vented gas fueled equipment, all venting instructions, all parts lists for venting instructions, and/or all venting design instructions shall remain with the appliance or equipment at the completion of the installation.

See Gas Connection section for additional Commonwealth of Massachusetts requirements.

2 Getting Started

A. Design and Installation Considerations

WARNING! Risk of Fire or Explosion! Read all instructions before starting the installation.

Direct vent gas appliances are designed to operate with all combustion air siphoned from outside of the building and all exhaust gases expelled to the outside. No additional outside air source is required.

→ Outdoor Spaces

For the purposes of these instructions, an appliance is considered to be terminated outdoors if it is terminated into an enclosure no more restrictive than:

1. With walls on all sides, but no overhead cover
2. Within a partial enclosure which includes an overhead cover and no more than two side walls. These side walls may be parallel, as in a breezeway, or at right angles to each other see Figures 2.1 and 2.2; or
3. Within an enclosure which includes an overhead cover and three or four sidewalls, as long as an area of 30% or more of the four periphery sides are permanently open.

$$.30 \times V \times (H_1 + H_2 + H_3 + H_4) = \text{Minimum Open Area}$$

See Figures 2.3 and 2.4.

Note: Screen may be used on the open portions of the shelter, 14x18 and 16x18 screen mesh is approved for use. **DO NOT** use solar screen or no-see-um screen.

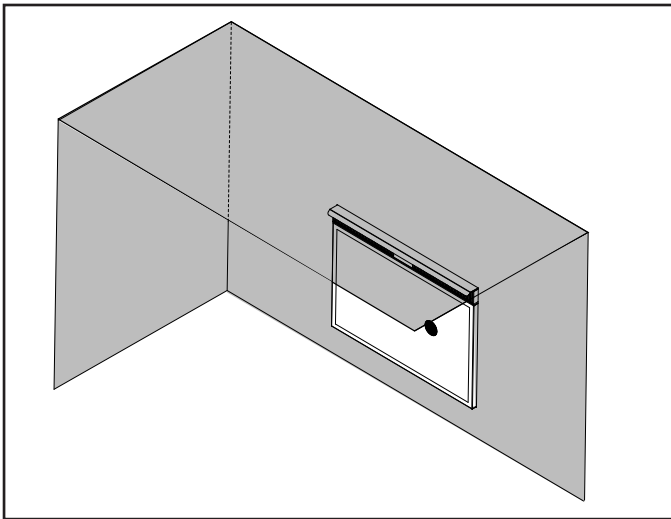


Figure 2.1 Two Sided Enclosure Right Angle Example

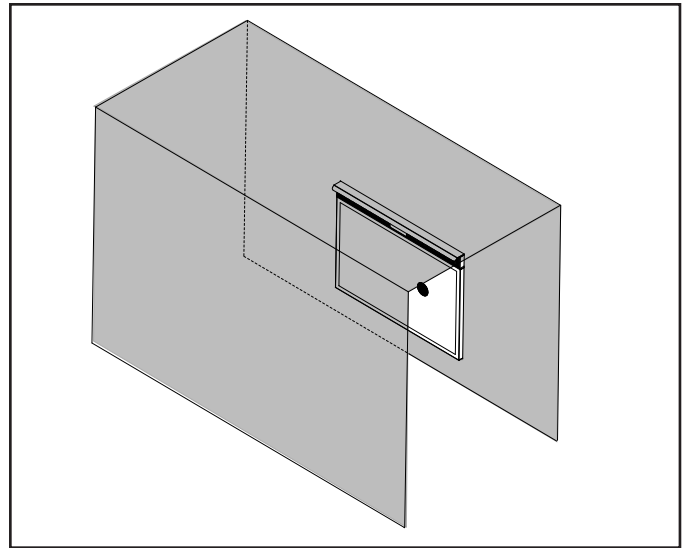


Figure 2.2 Two Sided Enclosure Parallel Example

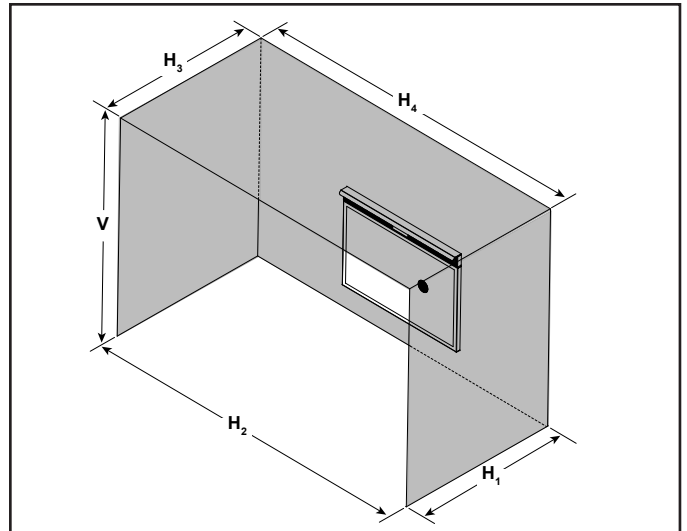


Figure 2.3 Three Sided Enclosure Example

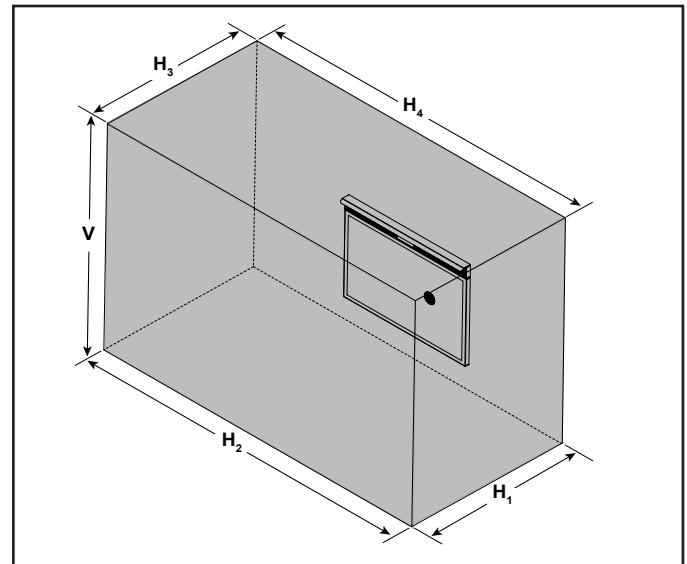


Figure 2.4 Four Sided Enclosure Example

The TWILIGHT-IFT has been carefully engineered to provide a unique fireplace experience. Since it is different than any other product on the market, care must be taken when installing this appliance so that our customer does not experience undesirable performance or conditions.

1. Install the appliance according to this Installation manual paying particular attention to flashing and sealing instructions.
2. In the cold northern climates pay attention to exposures and prevailing wind conditions when locating the appliance, the same as you would for locating exterior windows and doors.

The TWILIGHT-IFT has the thermal characteristics of a high quality window system. Temperatures near the appliance will be cooler than what is realized with a fully insulated wall.

Operation of the appliance will eliminate any cool drafts and will provide the room with a comfortable ambiance.

Installation **MUST** comply with local, regional, state and national codes and regulations. Consult insurance carrier, local building inspector, fire officials or authorities having jurisdiction over restrictions, installation inspection and permits.

Before installing, determine the following:

- Where the appliance is to be installed.
- Gas supply piping requirements.
- Electrical wiring requirements.
- Framing and finishing details.
- Whether optional accessories—devices such as a fan, wall switch, or remote control—are desired.
- If installing a fan kit, it is recommended for ease of installation, to install Fan Kit prior to gas line installation.

Note: The fan kit is not approved for use with the TWIMOD decorative barrier front.

- Whether optional accessories—devices such as a fan, wall switch, or remote control—are desired.

Installation and service of this appliance should be performed by qualified personnel. Hearth & Home Technologies recommends HHT Factory Trained or NFI certified professionals.



Improper installation, adjustment, alteration, service or maintenance can cause injury or property damage. For assistance or additional information, consult a qualified service technician, service agency or your dealer.

B. Good Faith Wall Surface/TV Guidelines

Figure 2.5 references the maximum interior wall surface temperatures above the appliance.

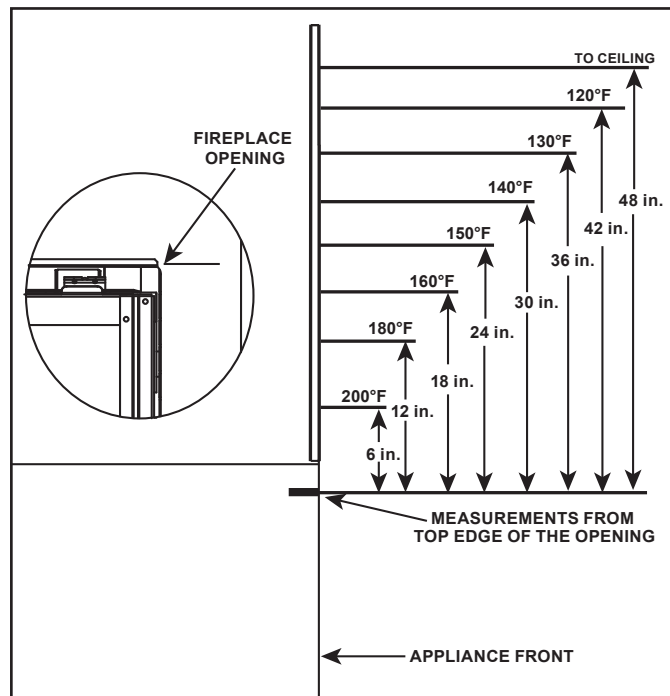
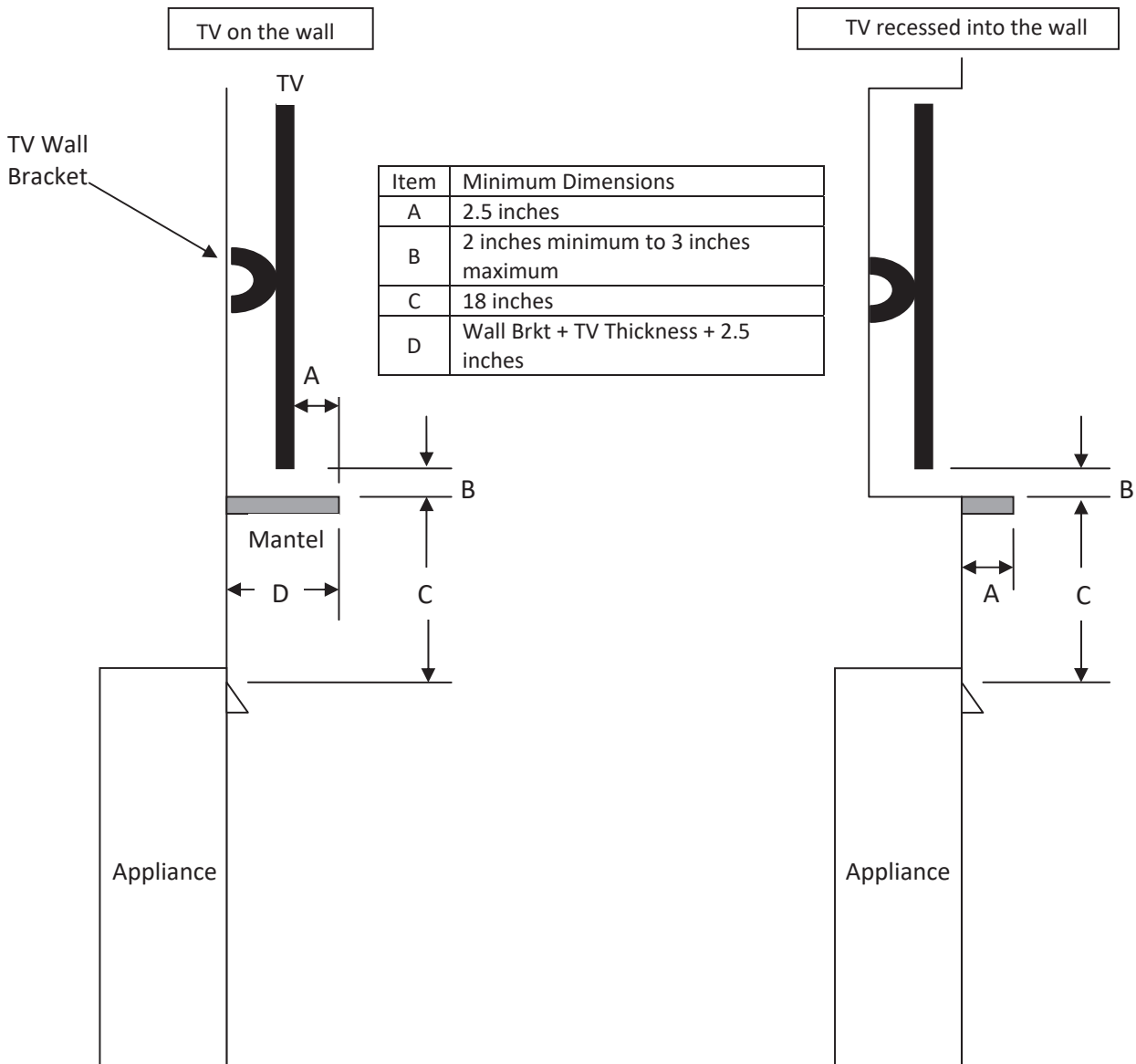


Figure 2.5 Maximum Interior Wall Surface Temperatures Above Appliance

NOTICE: Surface temperatures listed above are taken with a temperature measuring probe as prescribed by the test standard used for appliance certification. Temperatures on walls or mantels taken with an infrared thermometer may yield increased temperatures of up to 30 °F (17 °C) or more depending on the thermometer settings and material characteristics being measured. Use appropriate finishing materials that are able to withstand these conditions. For additional finishing guidelines, see Section 8.

Good Faith Guidelines for TV Installations Above Appliance (Interior Side Only)



- Notes:**
1. These are good faith recommended clearances only and not a guarantee of compliance with all TV manufacturers' maximum allowable operating temperatures.
 2. Since every home has unique air flow characteristics and maximum allowable operating temperatures can vary from manufacturer to manufacturer and from model to model, actual TV temperatures should be validated at the time of each installation. TVs should not be used in situations where the actual TV temperature exceeds the manufacturers' maximum allowable operating temperatures identified in the TV's technical specifications. Contact the TV's manufacturer directly if you cannot locate this information or have questions regarding the information.
 3. Mantel height and depth must conform to mantle requirements specified in the appliance installation manual.
 4. "C" dimension taken from the top of the hood or appliance opening.
 5. Suggestions on how to further reduce TV temperatures:
 - a. Increase "A" dimension.
 - b. Increase "C" dimension, however, increasing "B" dimension beyond maximum recommended typically results in higher temperatures.

Figure 2.6 Good Faith TV Guidelines

C. Tools and Supplies Needed

Before beginning the installation be sure that the following tools and building supplies are available.

- | | |
|---|-----------------------------------|
| Hand Tools | Tape measure |
| Level | Framing material |
| Manometer | Framing square |
| Voltmeter | Electric drill and bits (1/4 in.) |
| Plumb line | Safety glasses/Gloves |
| Wrenches | Reciprocating saw |
| 1/4 in. nut driver | |
| Non-corrosive leak check solution | |
| 1/2 - 3/4 in. length, #6 or #8 Self-drilling screws | |
| Caulking material (300 °F minimum continuous exposure rating) | |

D. Inspect Appliance and Components

WARNING! Risk of Fire or Explosion! Damaged parts could impair safe operation. DO NOT install damaged, incomplete or substitute components. Keep appliance dry.

WARNING! Risk of Fire, Explosion or Electric Shock! DO NOT use this appliance if any part has been under water. Call a qualified service technician to inspect the appliance and to replace any part of the control system and/or gas control which has been under water.

- Carefully remove the appliance and components from the packaging.
 - Remove the factory supplied Header Flashing.
 - Remove and discard the Side Surround Supports.
 - Remove the Packaged non-combustible boards from the side of the appliance.
- The vent system components and decorative barrier fronts may be shipped in separate packages.
- If packaged separately, the log set and appliance grate must be installed.
- Report to your dealer any parts damaged in shipment.

Hearth & Home Technologies disclaims any responsibility for, and the warranty will be voided by, the following actions:

- Installation and use of any damaged appliance or vent system component.
- Modification of the appliance or vent system.
- Installation other than as instructed by Hearth & Home Technologies.
- Improper positioning of the gas logs or the glass door.
- Installation and/or use of any component part not approved by Hearth & Home Technologies.

Any such action may cause a fire hazard.

3 Framing and Clearances

A. Appliance Dimension Diagram

Dimensions are actual appliance dimensions. Use for reference only.

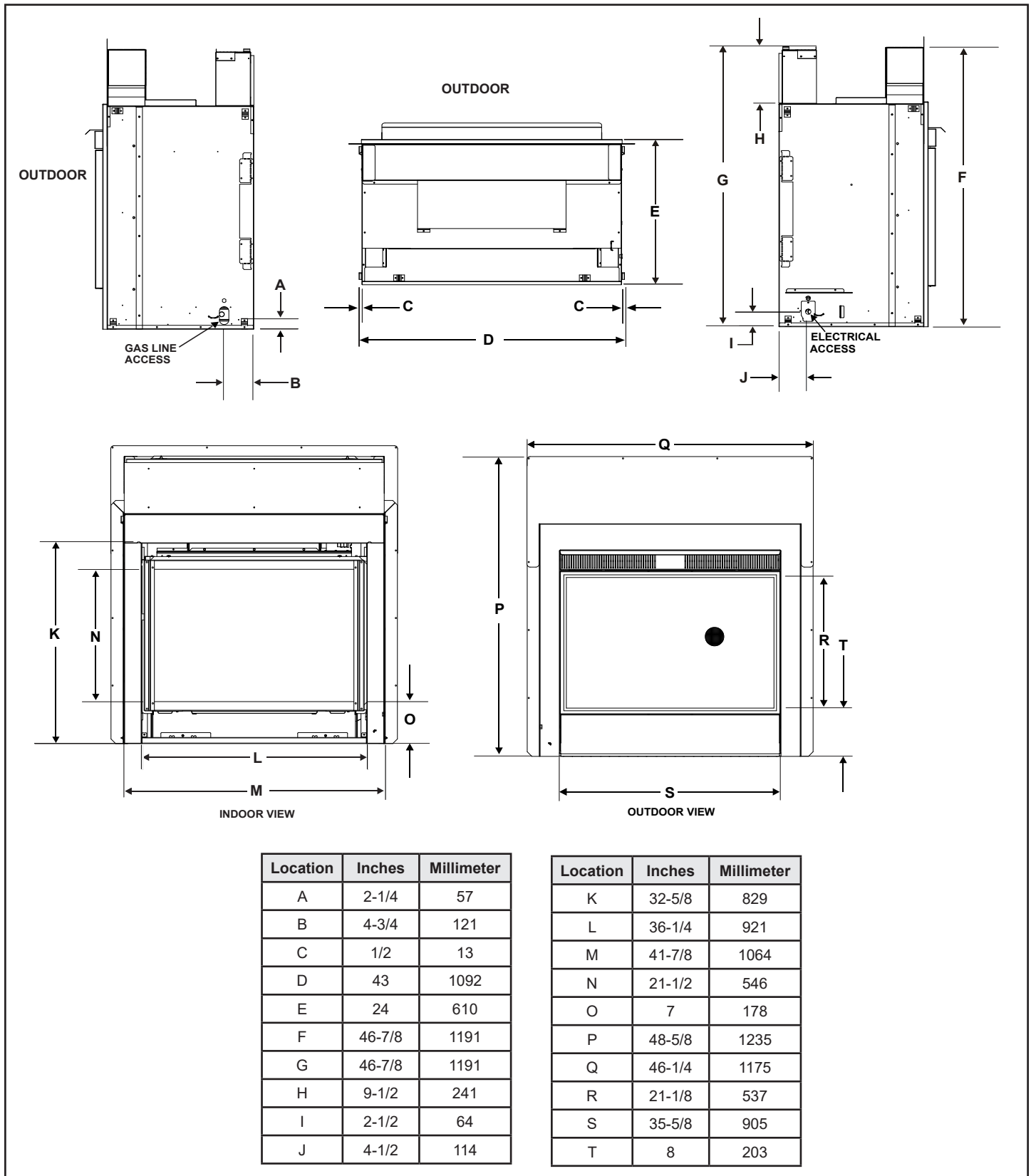


Figure 3.1 Appliance Dimensions

B. Clearances to Combustibles

When selecting a location for the appliance it is important to consider the required clearances to walls (see Figure 3.2).

WARNING! Risk of Fire or Burns! Provide adequate clearance around air openings and for service access. Due to high temperatures, the appliance should be located out of traffic and away from furniture and draperies.

NOTICE: Illustrations reflect typical installations and are FOR DESIGN PURPOSES ONLY. Illustrations/diagrams are not drawn to scale. Actual installation may vary due to individual design preference.

WARNING! Risk of Fire! The exterior side of the TWILIGHT-IFT CANNOT be recessed into the framing.

NOTICE: Install appliance on hard metal or wood surfaces extending full width and depth. DO NOT install directly on carpeting, vinyl, tile or any combustible material other than wood.

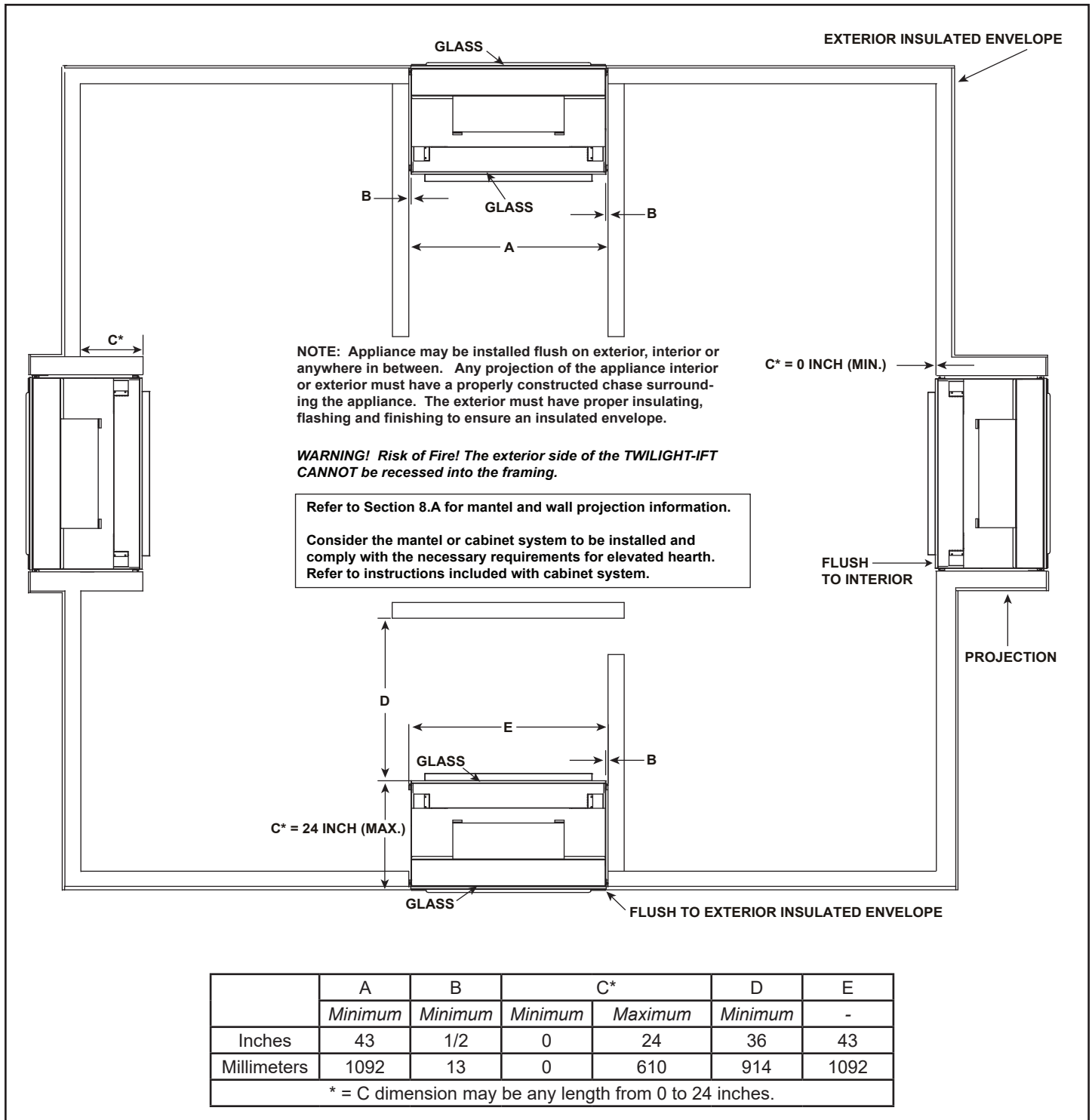


Figure 3.2 Appliance Locations

WARNING! Risk of Fire! Prevent contact with vapor barriers and sagging or loose insulation. See Section 5.B "Placing Insulation in Framing" for exception to factory-supplied insulation.

- Locate and install appliance to all clearance specifications in manual.
- The chase must be properly blocked to prevent blown insulation or other combustibles from entering and making contact with appliance.
- Failure to maintain airspace may cause overheating and a fire.
- Reference Figure 3.2, Figure 3.3, and Figure 3.4 for clearance specifications.

→ C. Floor Protection

Vinyl Flooring

Vinyl flooring is sensitive to heat. Hearth and Home Technologies does not recommend adhesive based vinyl flooring due to thermal expansion. Floating-style flooring can be used, but will reach temperatures up to to 110 °F in a room with ambient temperature of 70 °F. Consult flooring specifications to ensure compatibility.

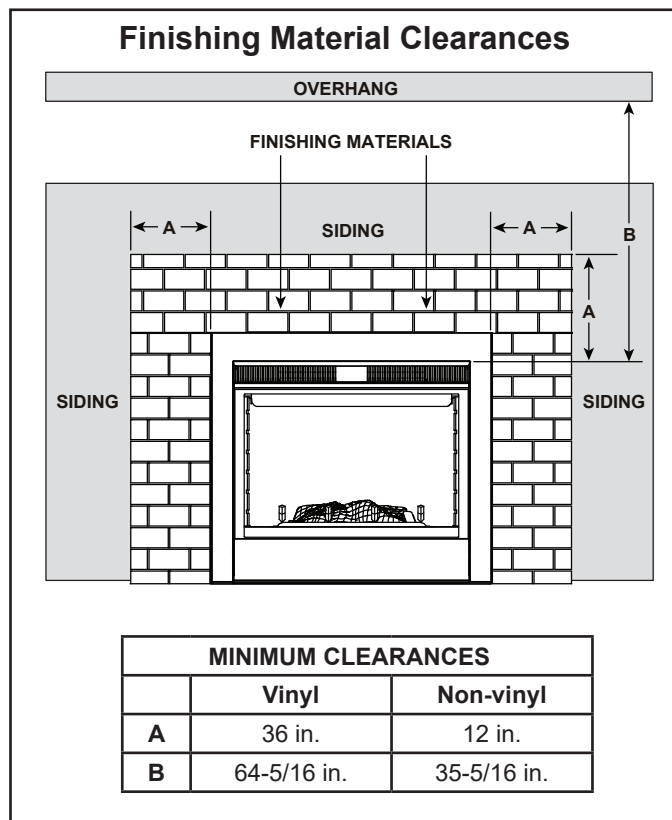


Figure 3.4 Exterior View - Finishing Material Clearances

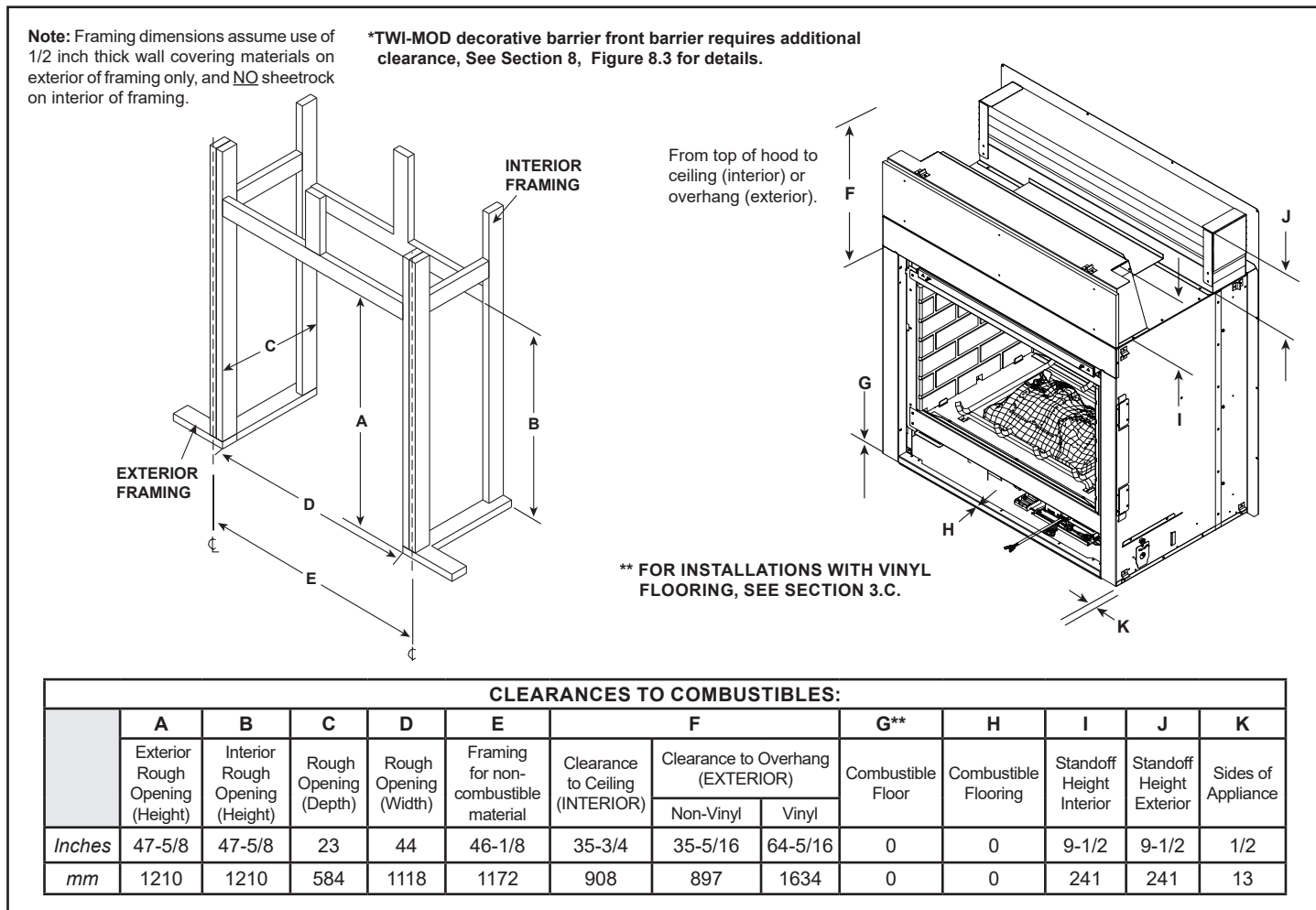
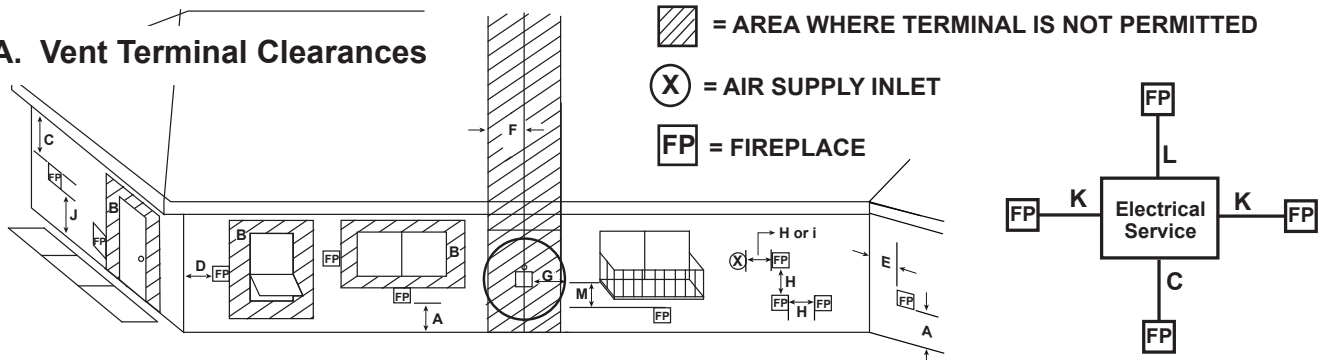


Figure 3.3 Clearances to Combustibles

4 Termination Location and Vent Information

A. Vent Terminal Clearances



U.S.A. Installations: In accordance with the current ANSI Z223.1/NFPA 54, National Fuel Gas Code.

Canadian Installations: In accordance with the current CSA B149.1, Natural Gas and Propane Installation Code.

		U.S.A.	CANADA
A	Clearance above grade, veranda, porch, deck, balcony or roof.	0 in. (0 mm)	0 in. (0 mm)
B	Clearance to window or door that may be opened, or to permanently closed window U.S.A.: = 9 in. min. (229 mm min.) CANADA: = 12 in. min. (305 mm min.)		
C	Clearance below unventilated soffit	35-5/16 in. (897 mm)	35-5/16 in. (897 mm)
	Clearance below ventilated soffit	35-5/16 in. (897 mm)	35-5/16 in. (897 mm)
	Clearance below any vinyl soffits and electrical service	64-5/16 in. (1.6 m)	64-5/16 in. (1.6 m)
D	Clearance to outside corner	9 in. (229 mm)	9 in. (229 mm)
E	Clearance to inside corner	12 in. (305 mm)	12 in. (305 mm)
F	Clearance to each side of center line extended above gas meter/regulator assembly	Clearance in accordance with local installation codes and the requirements of the gas supplier.	3 ft (914 mm) within a height 15 ft (4.5 m) above the meter/regulator assembly
G	Clearance to gas service regulator vent outlet	3 ft (914 mm)	3 ft (914 mm)
H	Clearance to non-mechanical air supply inlet to building or the combustion air inlet to any other appliance termination (mechanical or non-mechanical)	9 in. min. (229 mm min.)	12 in. min. (305 mm min.)
I	Clearance to a mechanical (powered) air supply inlet *** (All mechanical air intakes within 10 feet of a horizontal termination cap must be a minimum of 3 feet below termination.)	3 ft (914 mm)***	6 ft (1.8 m)
J	On public property: clearance above paved sidewalk or a paved driveway.	54 in. (1.3 m)	54 in. (1.3 m)**
	**(A vent shall not terminate directly above a sidewalk or paved driveway which is located between two single family dwellings and serves both dwellings.)		
K	Clearance from sides of electrical service	6 in. (152 mm)	6 in. (152 mm)
	Location of the vent termination must not interfere with access to the electrical service.		
L	Clearance above electrical service	12 in. (305 mm)	12 in. (305 mm)
	Location of the vent termination must not interfere with access to the electrical service.		
M	Clearance under veranda, porch, deck, balcony or overhang *(Permitted only if veranda, porch, deck, or balcony is fully open on a minimum of two sides beneath the floor.)	36 in. (914 mm)	36 in. (914 mm)*
	Vinyl or composite overhang	64-5/16 in. (1.6 m)	64-5/16 in. (1.6 m)

Figure 4.1 Minimum Clearances for Termination

5 Appliance Preparation

A. Removing Non-combustible Facing Material Assembly


The non-combustible assembly is located on right-hand side of appliance (when looking from outdoor side of appliance).

NOTICE: Handle non-combustible pieces with care.

- Non-combustible pieces may chip or crack if dropped or impacted.
- Avoid damaging protruding edges on outdoor side of appliance.

1. Hold non-combustible pieces in place.
2. Remove and save two screws from upper bracket.
3. Remove non-combustible pieces.
4. Discard brackets.
5. Replace screws in holes where the bracket was attached to appliance.

B. Securing and Leveling the Appliance

⚠ WARNING	
	<p>Fire Risk.</p> <ul style="list-style-type: none">• Prevent contact with sagging, loose insulation.• Do NOT install against vapor barriers or exposed insulation.

Placing Metal Hearth Strip

The metal hearth strip (**approximately 46 inches x 2 inches**) is used to provide added protection where appliance and outer structure meet. See Figure 5.1.

- The metal hearth strip flashing may be bent or trimmed to fit rough opening width. Reference dimension "D" in Figure 3.3.
- Place a generous bead of silicone caulk on the underside of the hearth strip, between the hearth strip and the appliance, and into the corners of the hearth strip and framing.
- Place the metal strip onto the structure where the outer edge of the appliance will sit. It should overlap building paper to prevent water infiltration.
- Ensure the weep-hole slots in the outer floor of the appliance are clear of any caulk, finishing materials or other debris.

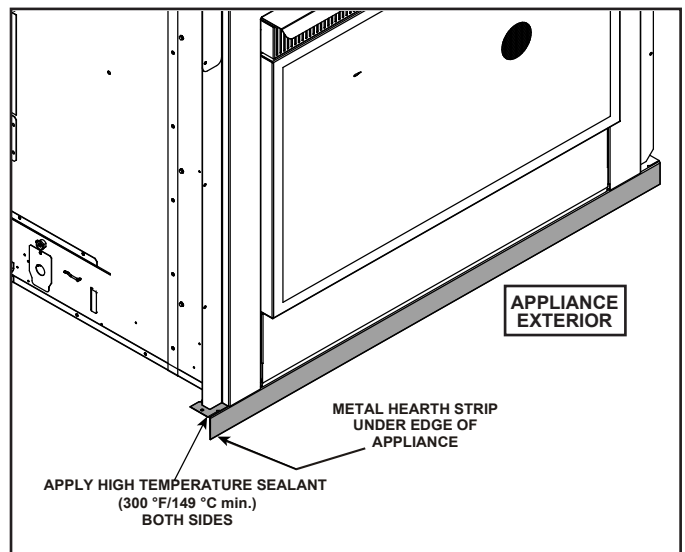


Figure 5.1 Positioning the Metal Hearth Strip

Placing Insulation in Framing

Insulation material is shipped with this appliance. It is packaged and placed on top of the appliance.

- Split the insulation material into four pieces.
- Place the insulation material on the top (two pieces) and sides (one piece per side) of the appliance, between the appliance and the framing studs. See Figure 5.2.

Placing and Securing Appliance

Place the appliance into position. Make sure flashing edges on the outdoor surround fit up tight to the framing.

The diagram shows how to properly position, level, and secure the appliance. See Figure 5.2. Nailing tabs are provided to secure the appliance to the framing members.

- Caulk behind flanges before securing to framing.
- Place the appliance into position.
- Level the appliance from side to side and front to back.
- Shim the appliance as necessary. It is acceptable to use wood shims.
- Keep nailing tabs flush with the framing.
- Secure the appliance to the framing by using nails or screws through the nailing tabs.

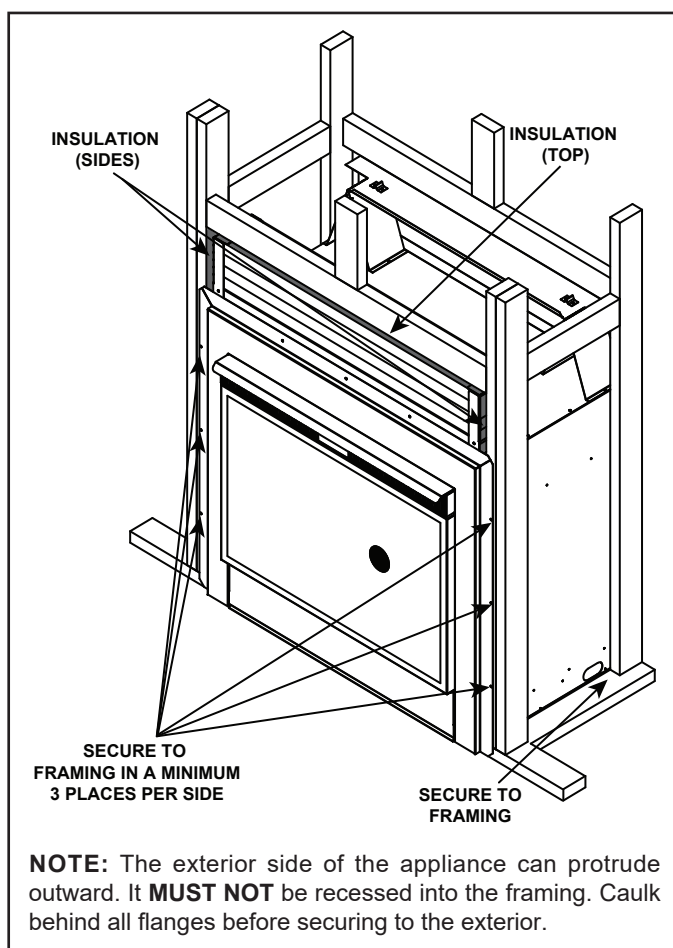


Figure 5.2 Proper Positioning, Leveling and Securing of an Appliance

CAUTION

Do NOT notch into the framing around the appliance spacers.

Placing Flashing and Sheathing

Apply high temperature silicone sealant to corner edges of fireplace flange. See Figure 5.3.

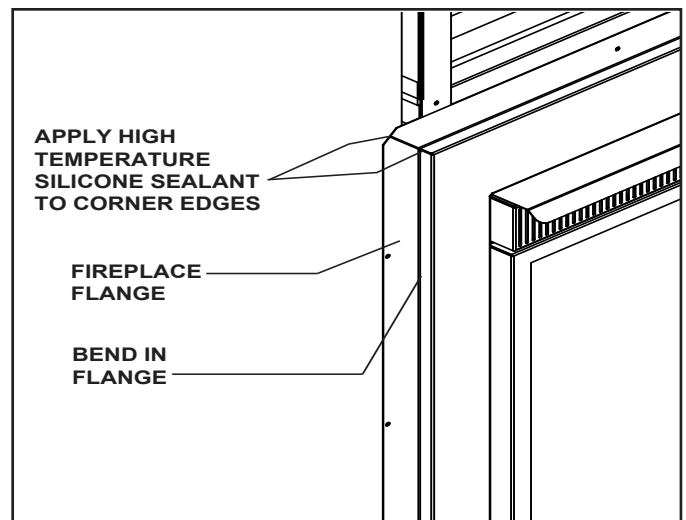


Figure 5.3

Install outdoor header flashing. Place over upper portion of shroud flange. Line up holes on shroud sides. See Figure 5.4.

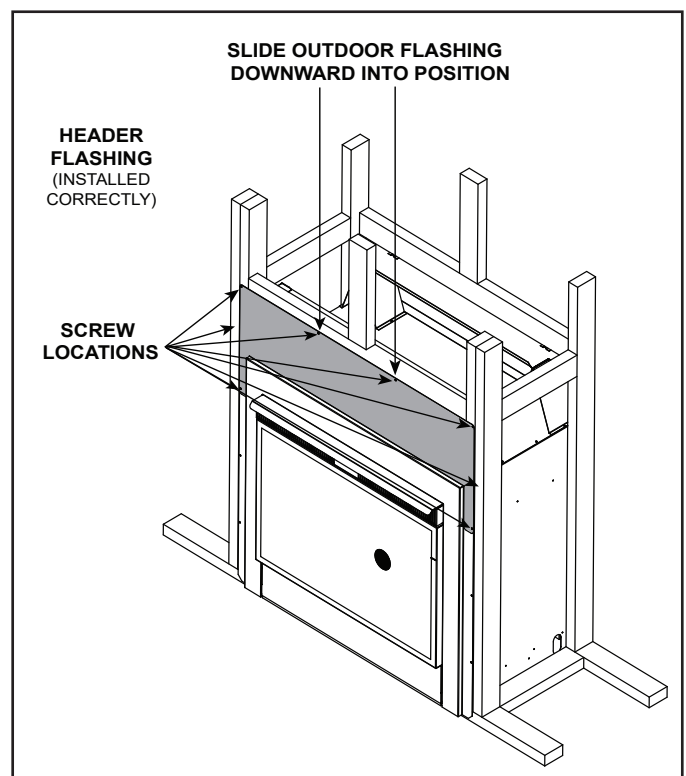


Figure 5.4

Seal flashing to exterior of building using high temperature silicone sealant. Attach to building using holes provided on the top of the left and right sides of outdoor flashing. See Figure 5.4.

Apply housewrap or building paper

For placement of combustible housewrap or building paper and non-combustible sheathing for the exterior wall see Figures 5.5 and 5.6.

Special care should be taken when choosing building materials for weather proofing (i.e. building wraps, sealant tapes, liquid sealants, rubberized flashings, etc.). All sealant materials or building wraps installed within 6 inches of the top and 1 inch on the sides of the fireplace surround must be approved to a minimum temperature of 225 °F continuous exposure. Consult the material's manufacturer to ensure product compliance.

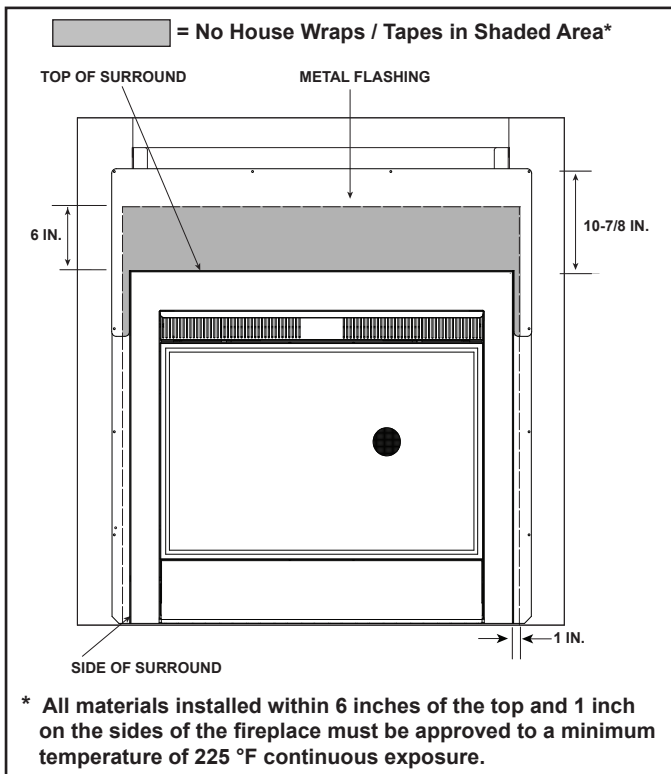


Figure 5.5. Exterior View without Non-combustible Sheathing Shown

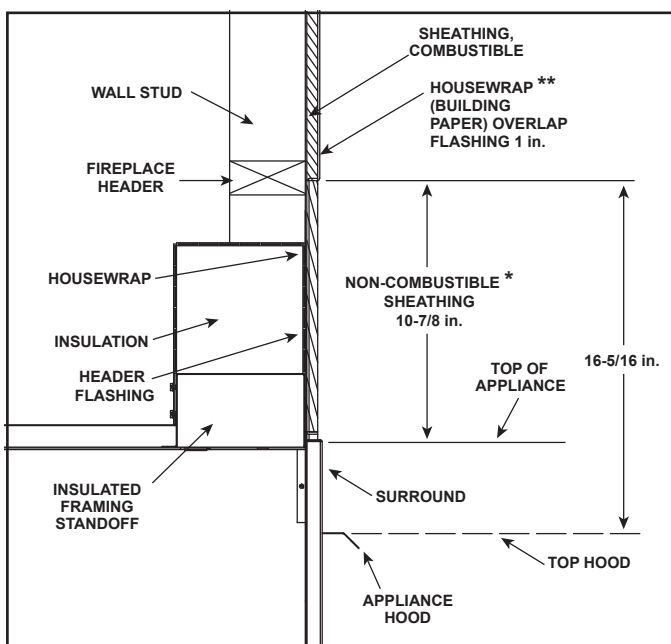


Figure 5.6

- * **NOTE:** All finishing materials on top of exterior sheathing must be non-combustible for a minimum of 10-7/8 inches above and 2-3/4 inches on both sides of the exterior face of the appliance. This non-combustible finishing material can be up to a maximum of 6 inches thick (6 inches maximum horizontal overhang) to allow for brick and stone alcoves (see Figure 5.5).
- ** **NOTE:** Combustible house wrap or building paper **MUST NOT** extend over the outside of non-combustible sheathing, and **MAY** extend over the flashing behind non-combustible sheathing a maximum of 1 inch. Use high temp silicone or sealant recommended by the manufacturer of the housewrap to seal between combustible sheathing house wrap and non-combustible sheathing. The sealant material used within 6 inches of the top and 1 inch on the sides of the fireplace surround must be approved to a minimum temperature of 225 °F continuous exposure.

Once the appliance is in place use enough high temperature silicone sealant or manufacturer specified sealant (approved to a minimum of 225 °F) to make a water tight seal between outdoor surround and exterior sheathing.

Face the perimeter of the appliance with non-combustible sheathing over shroud flanges and flashing. See Figure 5.7 for non-combustible zone.

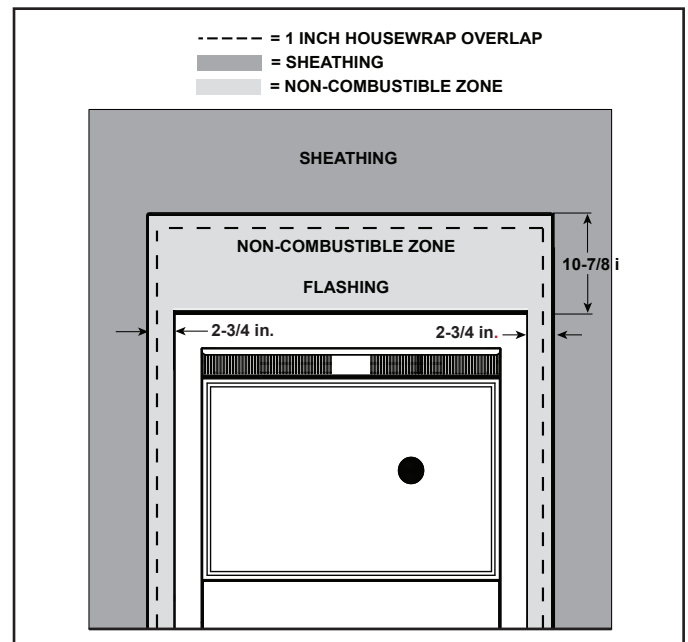


Figure 5.7 Exterior Installation Prior to Finishing

WARNING

Risk of Fire

- Non-combustible clearances must be maintained.
- Sheetrock, wood or other combustibles must NOT be used as sheathing or facing in the non-combustible zone.
- See **Sections 3 and 8** for proper clearances.
- See **Section 1** for combustible /non-combustible definitions.

C. Installing Non-combustible Facing Material (Outdoor Side)

⚠ WARNING



Fire Risk.

- Follow these instructions exactly.
- Facing materials must be installed properly to prevent fire.
- No materials may be substituted without authorization by Hearth & Home Technologies.

- Center and attach two top boards (the two shorter pieces) to the framing members. See Figure 5.8.
- Attach the left and right side pieces to the framing members. See Figure 5.8.
- Use fasteners from fastener packet (in manual bag) in areas noted in Figure 5.8.
- Use regular sheetrock screws to attach non-combustible board to framing.

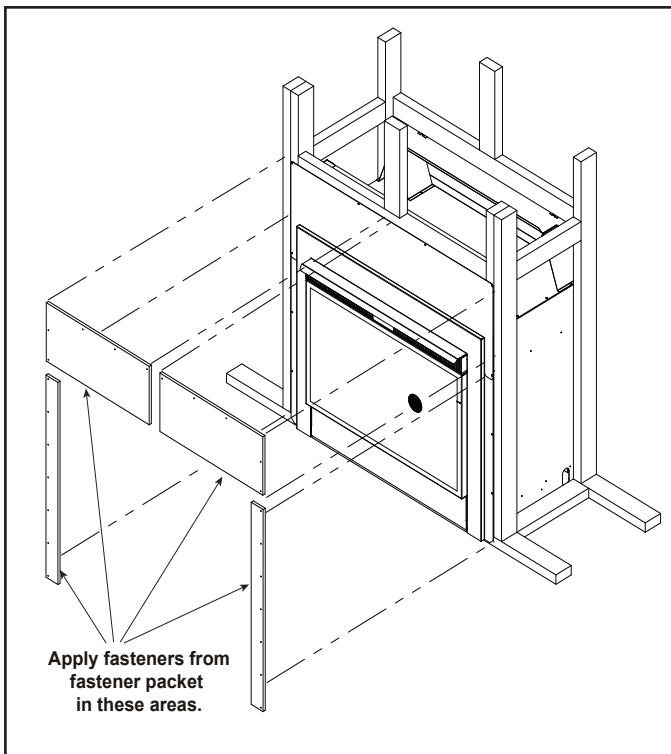


Figure 5.8 Attaching Non-combustible Facing Material (Outdoor Side Only)

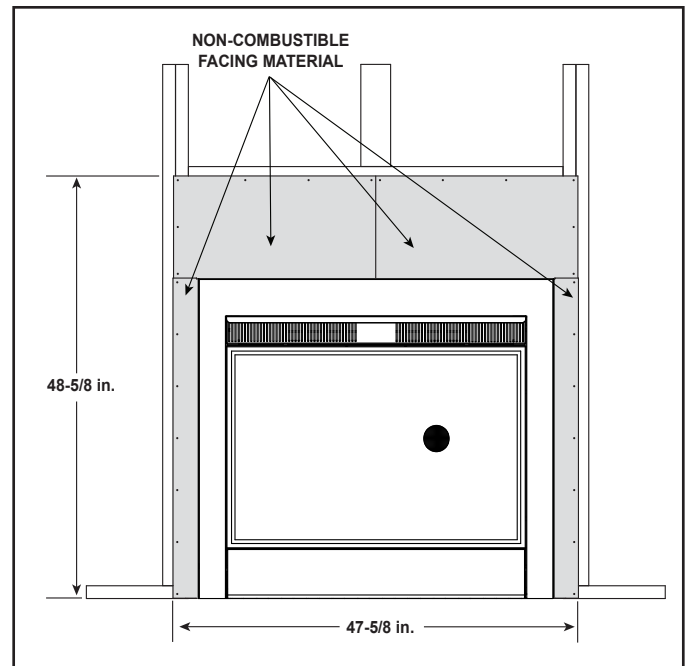


Figure 5.9 Complete Installation of Non-combustible Facing Material (Outdoor Side)

- Use a wet or dry towel or soft brush to remove dust or dirt from facing material.
- Apply a non-combustible adhesive to attach tile, stone or other non-combustible finishing materials per manufacturer's instructions.

6 Electrical Information

A. General Information

WARNING! Risk of Shock! DO NOT wire 110-120 VAC to the ignition module or to the appliance wall switch.

Incorrect wiring will damage controls.

NOTICE: This appliance must be electrically wired and grounded in accordance with local codes or, in the absence of local codes, with **National Electric Code ANSI/NFPA 70-latest edition** or the **Canadian Electric Code CSA C22.1**.

- Wire the appliance circuit using a minimum 14-2 AWG with ground to unswitched 110-120 VAC. This is required for proper operation of the appliance.
- A 110-120 VAC circuit for this product must be protected with ground-fault circuit interrupter protection, in compliance with the applicable electrical codes, when it is installed in locations such as in bathrooms or near sinks.
- Low voltage and 110-120 VAC voltage cannot be shared within the same wall box.
- In some instances, the spark ignition of the appliance may cause intermittent, non-damaging, interference during the lighting sequence with a TV plugged into the same circuit. It is recommended that the appliance and TV use different circuits to mitigate the interference potential. If interference is occurring on the same circuit, the use of surge protectors may help alleviate the interference.

Junction Box Wiring

If the box is being wired from the **INSIDE** of the appliance:

- Remove the screw attaching the junction box/receptacle to the outer shell, rotate the junction box inward to disengage it from the outer shell. See Figure 6.1.
- Pull the electrical wires from outside the appliance through the opening into the valve compartment and secure wires with a Romex connector. See Figure 6.1.
- Make all necessary wire connections to the junction box/receptacle and reattach the junction box/receptacle to the outer shell.

If the box is being wired from the **OUTSIDE** of the appliance:

- Remove the screw attaching the cover plate from the outside of the outershell. See figure 6.1
- Pull the electrical wires through the opening in the cover plate and secure wires with a Romex connector. See Figure 6.1.
- Make all necessary wire connections to the junction box/receptacle and reattach the cover plate to the outer shell of the appliance.

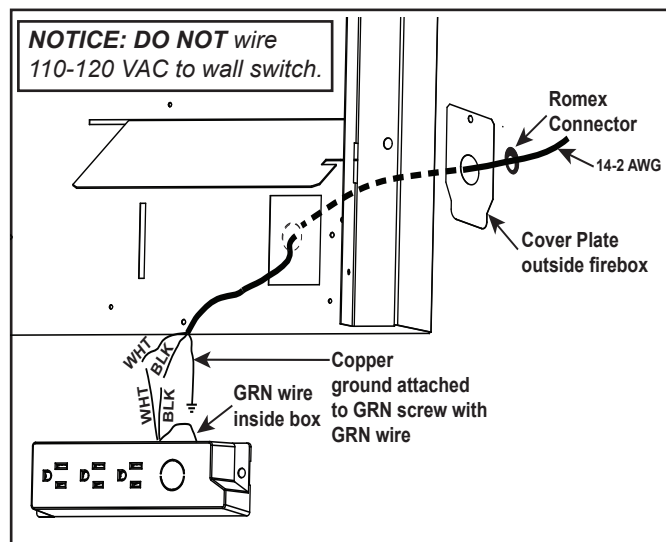


Figure 6.1 Junction Box Detail

Accessories Requirements

- This appliance may be used with a wall switch, wall mounted thermostat and/or a remote control.

Wiring for optional Hearth & Home Technologies approved accessories should be done now to avoid reconstruction. Follow instructions that come with those accessories.

Electrical Service and Repair

WARNING! Risk of Shock! Label all wires prior to disconnection when servicing controls. Wiring errors could cause improper and dangerous operation. Verify proper operation after servicing.

WARNING! Risk of Shock! Replace damaged wire with type 105° C rated wire. Wire must have high temperature insulation.

Component Tray

The electrical components are installed on the component tray. If it becomes necessary to remove the components, use the information in Figure 6.2 to remove them and reinstall them correctly on the component tray.

The IFT-ECM is held in position by two placement tabs (front and rear) and one plastic pin on the component tray. To remove the IFT-ECM, bend the rear placement tab back slightly and tip the IFT-ECM to disengage it from the pin and the shorter placement tab. To reinstall the IFT-ECM on the component tray, engage the front placement tab first.

The IFT-ACM (if equipped) is attached to the IFT-ECM and is held in position by the rear placement tab. To remove the IFT-ACM, bend the rear placement tab back slightly and disengage the IFT-ACM from the IFT-ECM.

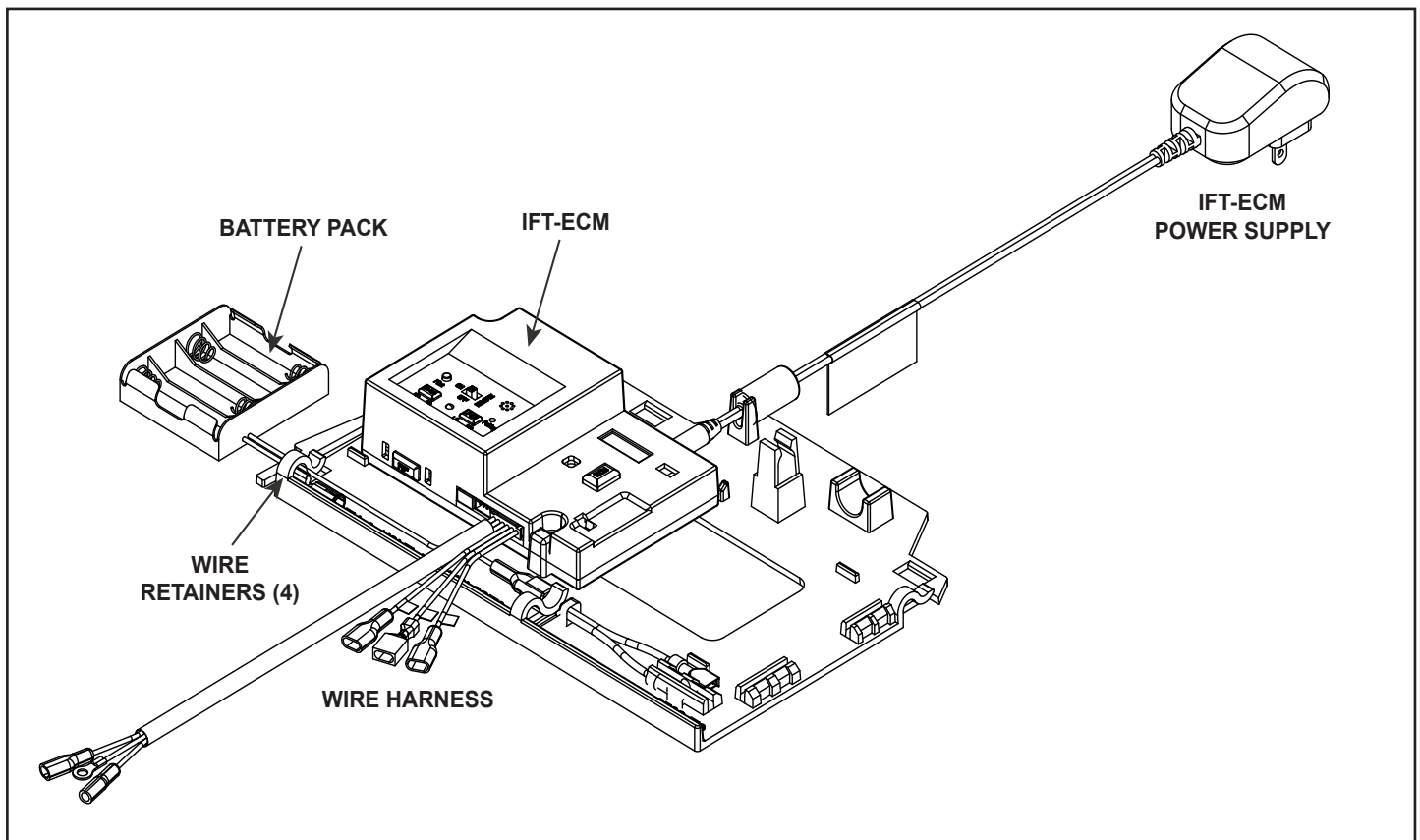


Figure 6.2 Electrical Component Tray

B. Wiring Requirements

IntelliFire Touch® Ignition System Wiring

- Wire the appliance junction box to 110-120 VAC for proper operation of the appliance.

WARNING! Risk of Shock or Explosion! DO NOT wire IPI controlled appliance junction box to a switched circuit. Incorrect wiring will override IPI safety lockout.

- Refer to Figure 6.3, IntelliFire Touch Wiring Diagram.
- This appliance is equipped with an IntelliFire Touch control valve which operates on a 6 volt/1.5 AMP system.
- Plug the 6 volt transformer plug into the appliance junction box to supply power to the unit OR install 4 AA cell batteries (not included) into the battery pack before use.

NOTICE: Batteries should only be used as a power source in the event of an emergency power outage. Batteries should not be used as a primary long-term power source. Battery polarity must be correct when installing batteries. When using batteries as a power source, the 6-volt transformer must be unplugged from the receptacle.

Do not store batteries in the battery pack when the appliance is powered by the 6 volt transformer connected to permanent electrical service.

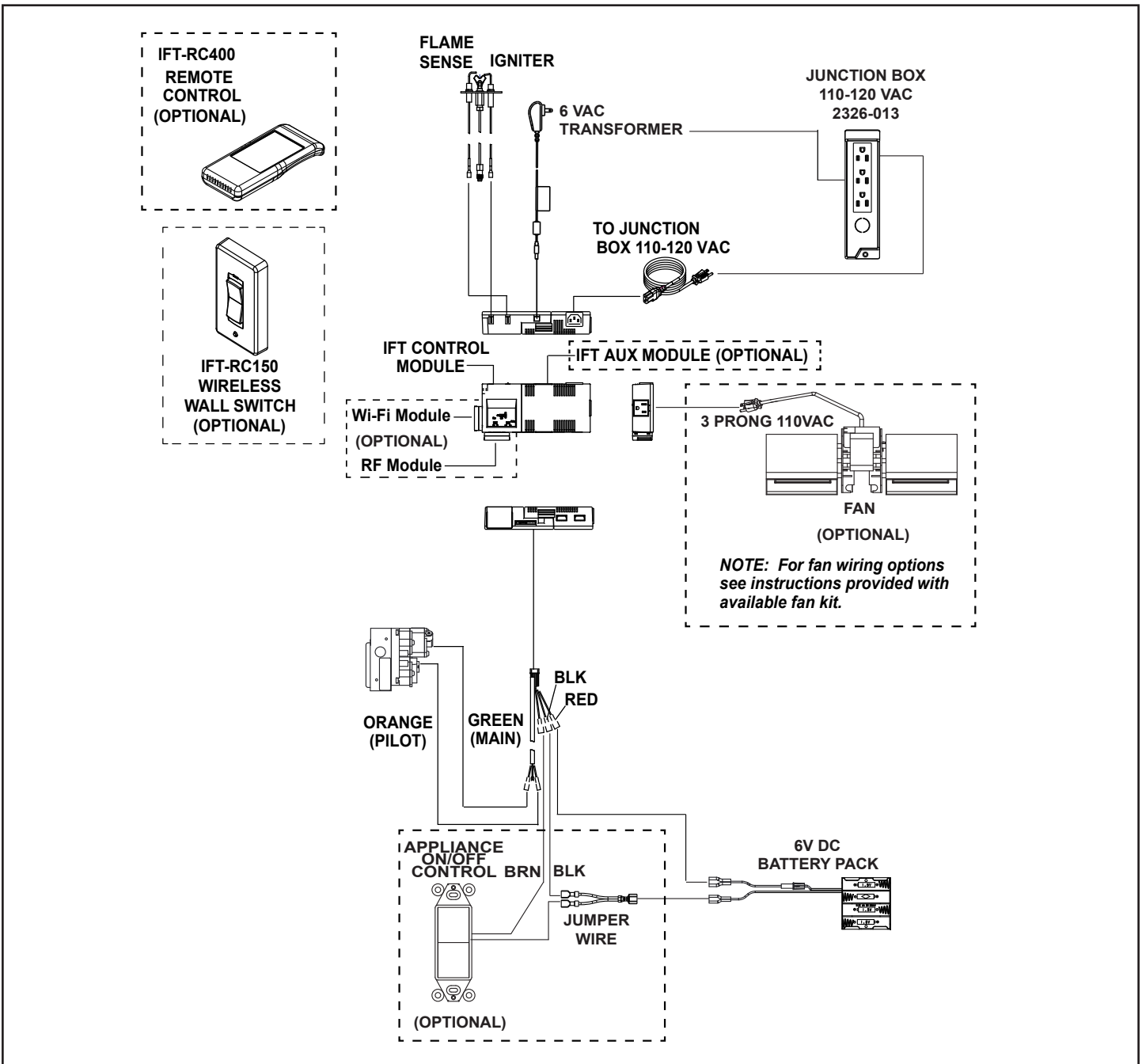


Figure 6.3 IntelliFire Pilot Ignition (IPI) Wiring Diagram

7 Gas Information

A. Fuel Conversion

- Make sure the appliance is compatible with available gas types.
- Conversions must be made by a qualified service technician using Hearth & Home Technologies specified and approved parts.



B. Gas Pressure

- Optimum appliance performance requires proper input pressures.
- Gas line sizing requirements will be determined in ANSI Z223.1 National Fuel Gas Code in the USA and CAN/CGA B149 in Canada.
- Pressure requirements are:

Gas Pressure	Natural Gas	Propane
Minimum inlet pressure	5.0 in. w.c.	11.0 in. w.c.
Maximum inlet pressure	10.0 in. w.c.	13.0 in. w.c.
Manifold pressure	3.5 in. w.c.	10.0 in. w.c.

WARNING! Risk of Fire or Explosion! High pressure will damage valve. Low pressure may cause explosion.

- Verify inlet pressures. Verify minimum pressures when other household gas appliances are operating.
- Install regulator upstream of valve if line pressure is greater than 1/2 psig.

▲ WARNING	
 	<p>Fire Risk. Explosion Hazard. High pressure will damage valve.</p> <ul style="list-style-type: none"> • Disconnect gas supply piping BEFORE pressure testing gas line at test pressures above 1/2 psig. • Close the manual shutoff valve BEFORE pressure testing gas line at test pressures equal to or less than 1/2 psig.

Note: Have the gas supply line installed in accordance with local codes, if any. If not, follow ANSI Z223.1. Installation should be done by a qualified installer approved and/or licensed as required by the locality. (In the Commonwealth of Massachusetts installation must be performed by a licensed plumber or gas fitter).

Note: A listed (and Commonwealth of Massachusetts approved) 1/2 in. (13 mm) T-handle manual shut-off valve and flexible gas connector are connected to the 1/2 in. (13 mm) control valve inlet.

- **If substituting for these components, please consult local codes for compliance.**

C. Gas Connection

- Refer to Section 3, Figure 3.1 for location of gas line access in appliance.
- Gas line may be run through the hole provided.
- The gap between supply piping and gas access hole may be caulked with caulk with a minimum of 300 °F continuous exposure rating or stuffed with non-combustible, unfaced insulation to prevent cold air infiltration.
- Ensure that gas line does not come in contact with outer wrap of the appliance. Follow local codes.
- Pipe incoming gas line into valve compartment.
 - Note:** If installing optional fan, use factory-supplied flex ball valve assembly to connect gas line to valve. Hard-pipe connected directly to valve will not leave the amount of space required for proper fan installation.
- Connect incoming gas line to the 1/2 in. (13 mm) connection on manual shutoff valve.

WARNING! Risk of Fire or Explosion! Support control when attaching pipe to prevent bending gas line.

- A small amount of air will be in the gas supply lines.

WARNING! Risk of Fire or Explosion! Gas build-up during line purge could ignite.

- Purge should be performed by qualified service technician.
- Ensure adequate ventilation.
- Ensure there are no ignition sources such as sparks or open flames.

Light the appliance. It will take a short time for air to purge from lines. When purging is complete the appliance will light and operate normally.

WARNING! Risk of Fire, Explosion or Asphyxiation! Check all fittings and connections with a non-corrosive commercially available leak-check solution. **DO NOT** use open flame. Fittings and connections could have loosened during shipping and handling.

WARNING! Risk of Fire! DO NOT change valve settings. This valve has been preset at the factory.

D. High Altitude Installations

NOTICE: If the heating value of the gas has been reduced, these rules do not apply. Check with your local gas utility or authorities having jurisdiction.

When installing above 2000 feet elevation:

- In the USA: Reduce burner orifice 4% for each 1000 feet above 2000 feet.
- In CANADA: Reduce burner orifice 10% for elevations between 2000 feet and 4500 feet. Above 4500 feet, consult local gas utility.

E. Air Shutter Setting

Air shutter settings should be adjusted by a qualified service technician at the time of installation. The air shutter is set at the factory.

NOTICE: *If sooting occurs, provide more air by opening the air shutter.*

Air Shutter Settings

TWILIGHT-IFT (NG)	3/8 in.
TWILIGHT-IFT (Propane)	Full Open

8 Finishing

A. Mantel and Wall Projections

WARNING! Risk of Fire! Comply with all minimum clearances as specified. Framing closer than the minimums listed must be constructed entirely of noncombustible materials (i.e., steel studs, concrete board, etc.) Failure to comply could cause fire.

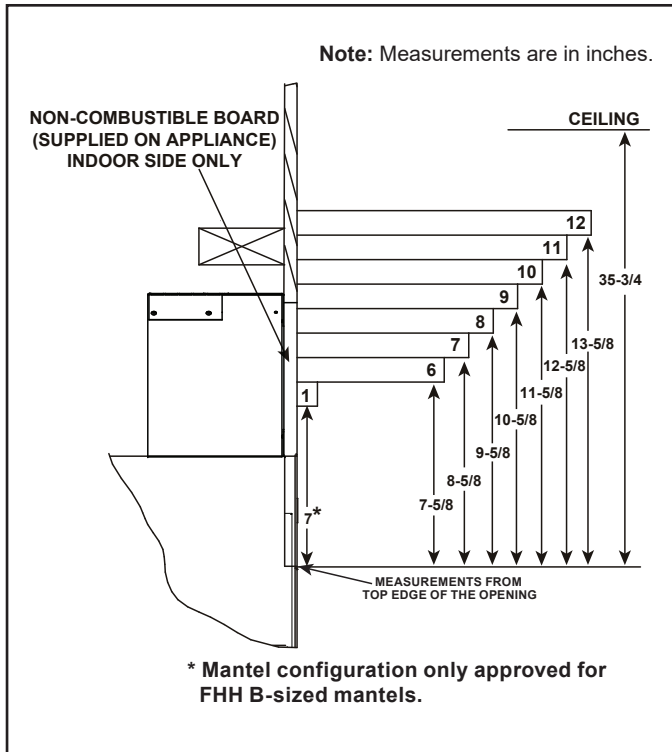


Figure 8.1 Clearances to a Combustible and/or Non-combustible Indoor Mantel

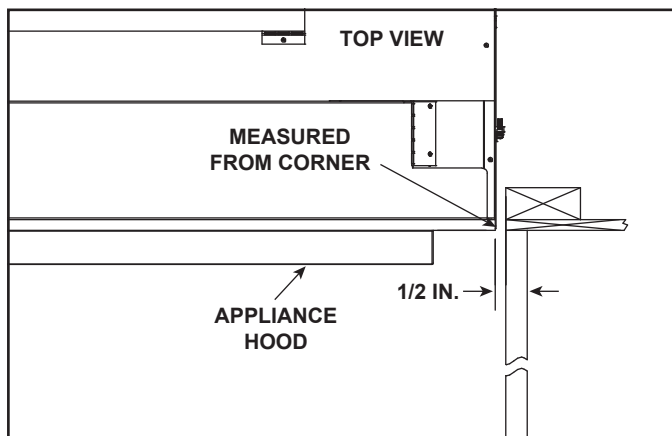


Figure 8.2 Clearances to a Combustible and/or Non-combustible Indoor Mantel or Mantel Leg

The TWI-MOD decorative barrier front will overlap the appliance. See Figure 8.3.

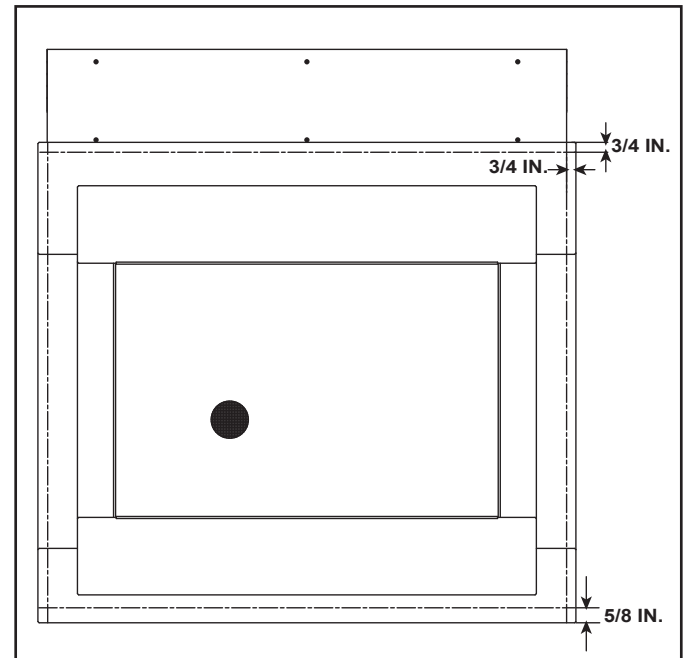


Figure 8.3 Decorative Barrier Barrier Front Overlaps Surround

B. Decorative Barrier Front Selection

Only decorative barrier fronts certified for use with this appliance model may be used. Contact your dealer for a list of decorative barrier fronts that may be used. The TWI-MOD decorative barrier front can not be used if the appliance is installed directly on the floor. See Figure 8.4 and 8.5.

FS-TWI Decorative Barrier Front Application

If the appliance is installed on the floor or level with an elevated hearth, the FS-TWI decorative barrier front **MUST** be used. The TWI-MOD decorative barrier front is not compatible with this type of installation as a minimum elevation of 3/4 inch is required on the bottom of the appliance.

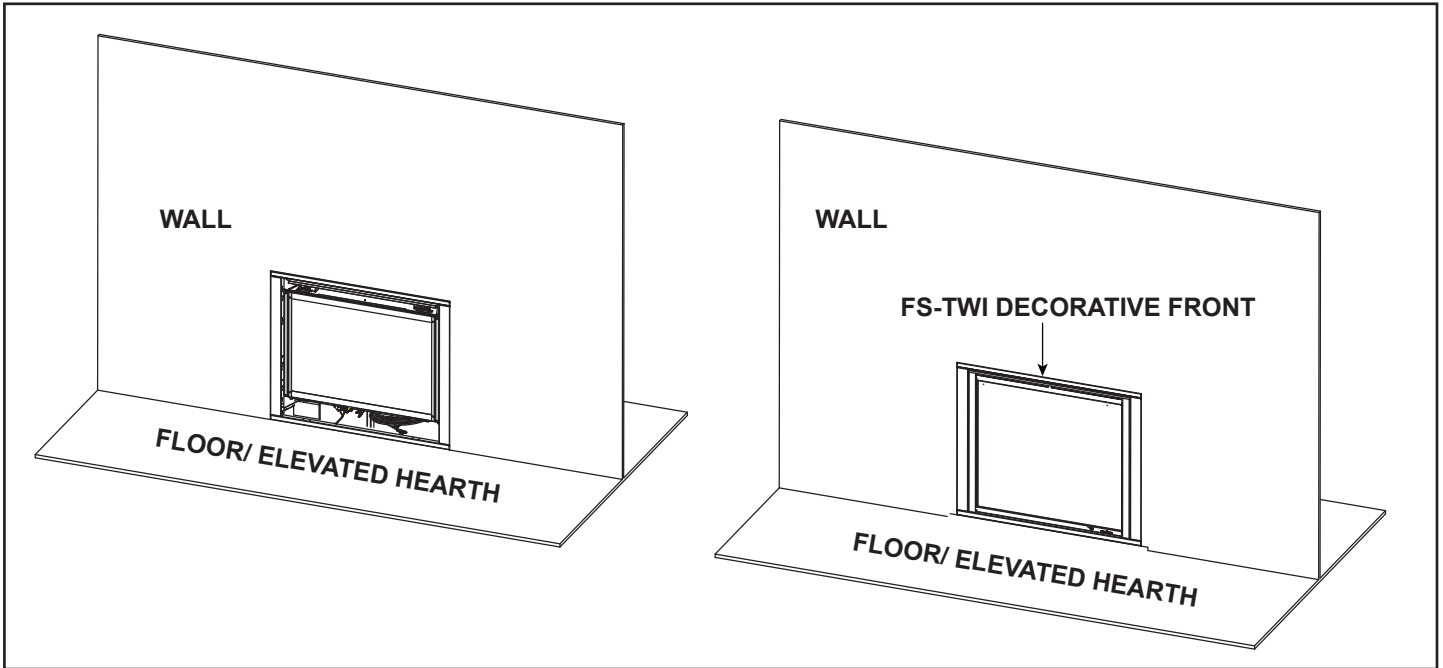


Figure 8.4 Appliance Installed on Floor or Elevated Hearth

TWI-MOD Decorative Barrier Front Application

If the appliance is installed at a minimum of 3/4 inch above the floor, the TWI-MOD decorative barrier front can be used. The TWI-MOD decorative barrier front **OVERLAPS** the sides, top and bottom of the appliance surround. See Figure 8.6 for dimensions.

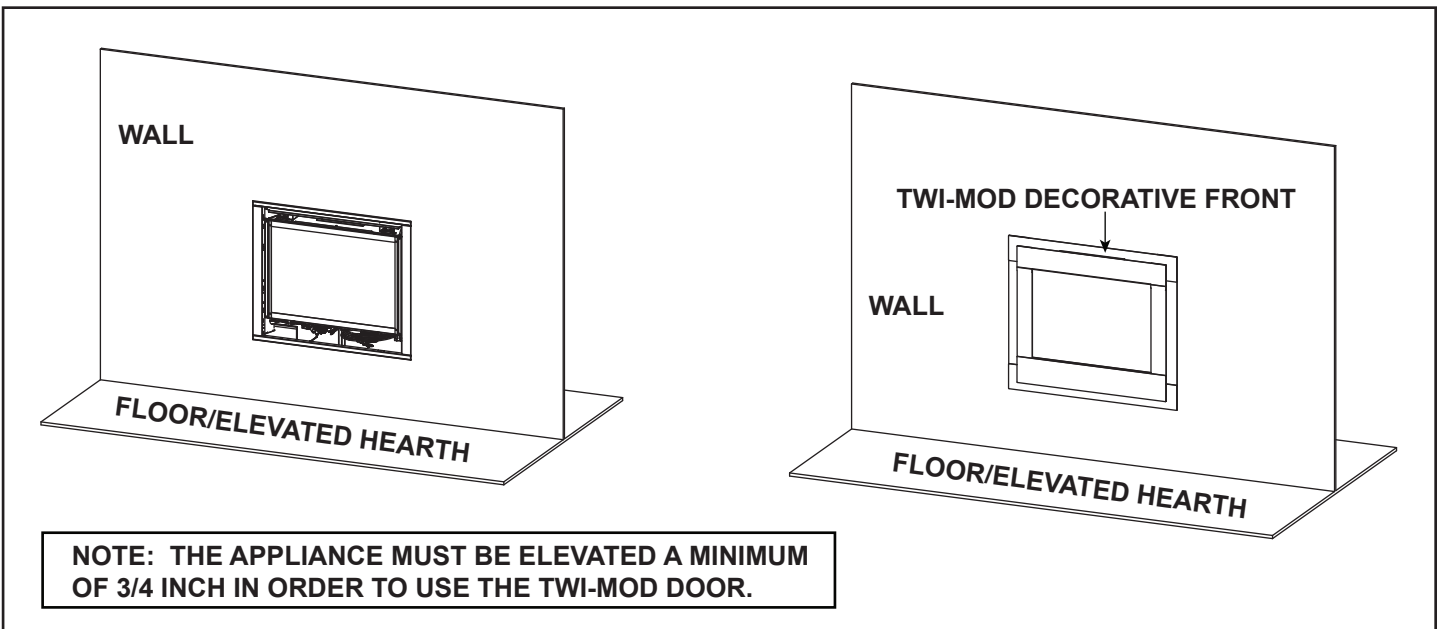
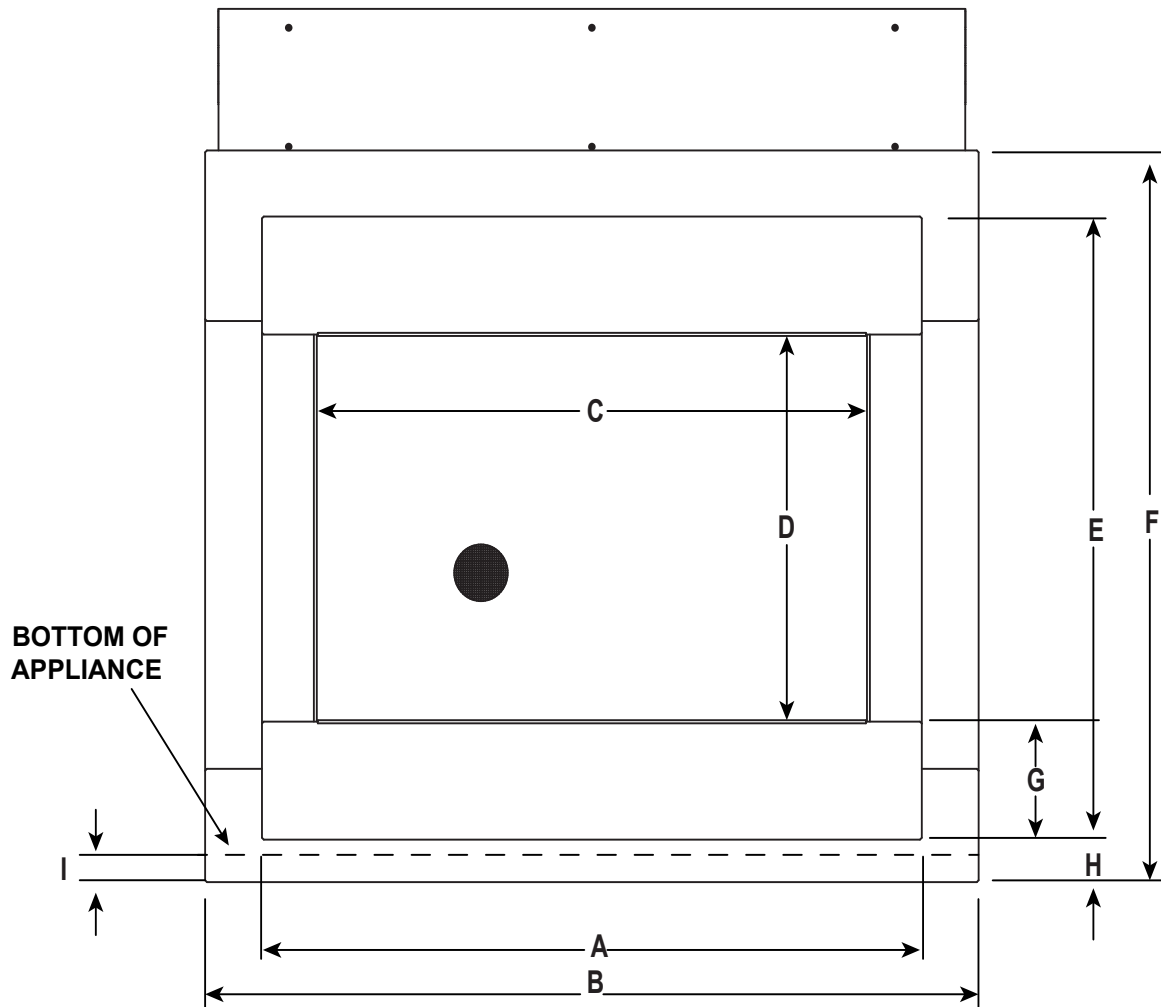


Figure 8.5 Appliance Installed Off the Floor

DECORATIVE BARRIER FRONT DIMENSION DIAGRAM - TWI-MOD

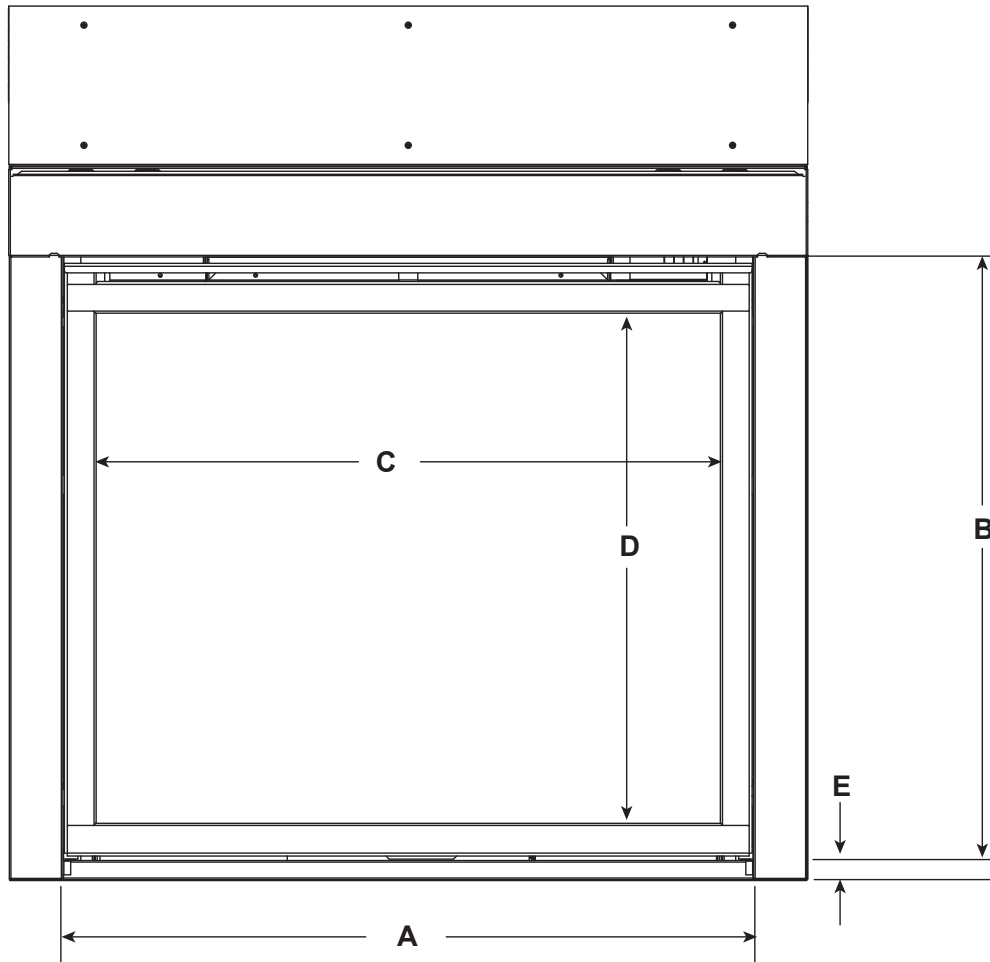


		A	B	C	D	E	F	G	H	I
TWI-MOD	in.	37	43-3/8	30-3/4	20-3/8	33	38-3/4	6-3/8	2-3/8	1/2
	mm	940	1102	781	518	838	984	162	60	13

Figure 8.6 Decorative Barrier Front Dimensions - TWI-MOD Decorative Barrier Front

NOTE: The TWI-MOD decorative barrier front is not approved for use with the optional Fan Kit.

DECORATIVE BARRIER FRONT DIMENSION DIAGRAM - FS-TWI



		A	B	C	D	E
FS-TWI	in.	36-1/16	31-1/8	31-3/4	25-7/8	1-1/4
	mm	916	790	806	657	32

Figure 8.7 Decorative Barrier Front Dimensions - FS-TWI Decorative Barrier Front

C. Facing Material

⚠ WARNING

Risk of Fire!

DO NOT apply combustible materials beyond the minimum clearances. Comply with all minimum clearances to combustibles as specified in this manual. Materials overlapping into non-combustible zones could ignite and will interfere with air flow through decorative barrier fronts.

- Metal front of appliance may be covered with non-combustible materials only.
- Facing and/or finishing materials must not interfere with air flow through decorative barrier fronts, removal of decorative barrier fronts or access for service.
- Facing and/or finishing materials must never overhang into the glass opening.
- Observe all clearances when applying combustible materials.
- Confirm that appliance is plum, square and level. See Section 5.
- Seal gaps between the finished wall and appliance top and sides using a 300 °F minimum sealant. Refer to Figure 8.11.

NOTICE: Surface temperatures around the appliance will become warm while the appliance is in operation. Ensure finishing materials used for all surfaces (floor, walls, mantels, etc.) will withstand temperatures up to 190°F.

When using combustible flooring materials, such as carpeting and padding, the combustible flooring material must not extend higher than one inch from the base of the appliance when the appliance is mounted at floor level. If using vinyl flooring, refer to Section 3.C.

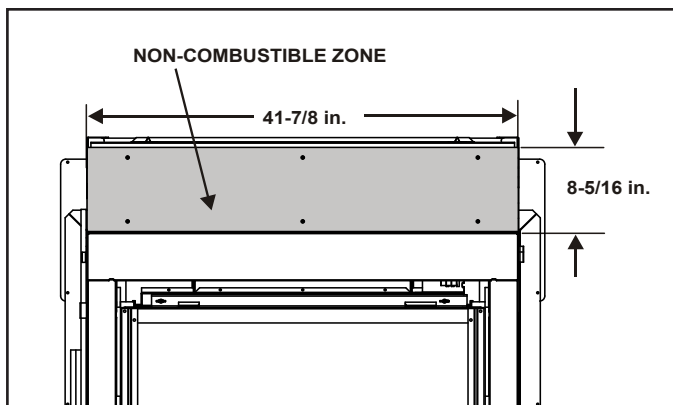


Figure 8.8 Non-combustible Zone (Interior)

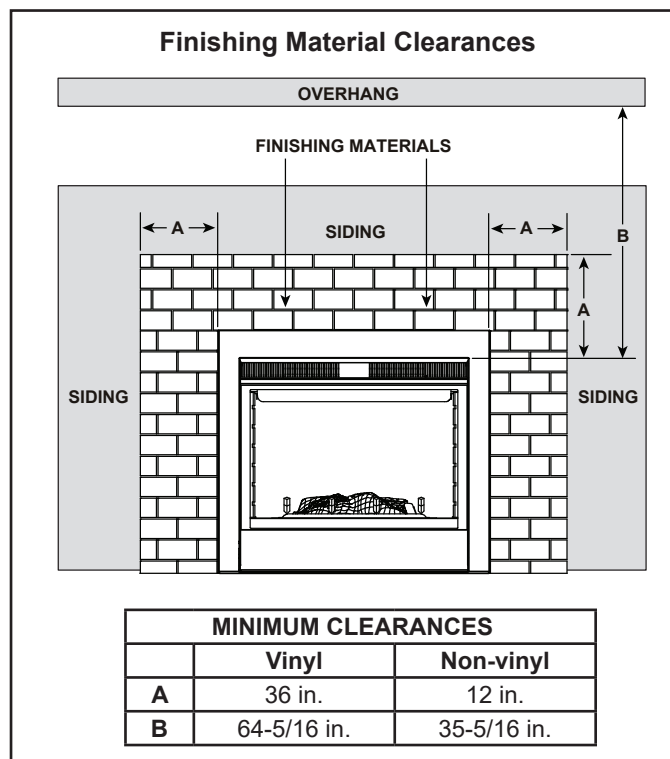


Figure 8.9 Exterior View - Finishing Material Clearances

⚠ WARNING



Risk of Fire

- Non-combustible clearances must be maintained.
- Sheetrock, wood or other combustibles must NOT be used as sheathing or facing in the non-combustible zone.
- See **Sections 3 & 8** for proper clearances.
- See **Section 1** for combustible/non-combustible definitions.



May install non-combustible materials to cover gap between facing material and appliance (see Figure 8.11).

⚠ WARNING



Fire Risk.

Water Intrusion Risk.

Hood is required.



- Flashing and non-combustible sheathing must be installed before facing materials.
- Facing must be non-combustible and seal tight to appliance front.

⚠ WARNING



Fire Risk.

Finish all edges and fronts to clearances and specifications listed in manual.

- Black metal columns may be covered with non-combustible material only.
- Do NOT overlap combustible materials onto appliance front.
- Install combustible materials only up to specified clearances on top, front and side edges.
- Seal joints between the finished wall and appliance top and sides using only a 300 °F minimum sealant.

NOTICE: If using an acid-based wash to clean finishing material, cover the face of the fireplace with plastic sheet to protect the paint. Remove plastic before operation of fireplace.

**Finishing Material:
1 Inch Thick or Less - Overlap Fit Method**

The TWI-MOD decorative barrier front can be installed with finishing materials up to one inch thick.

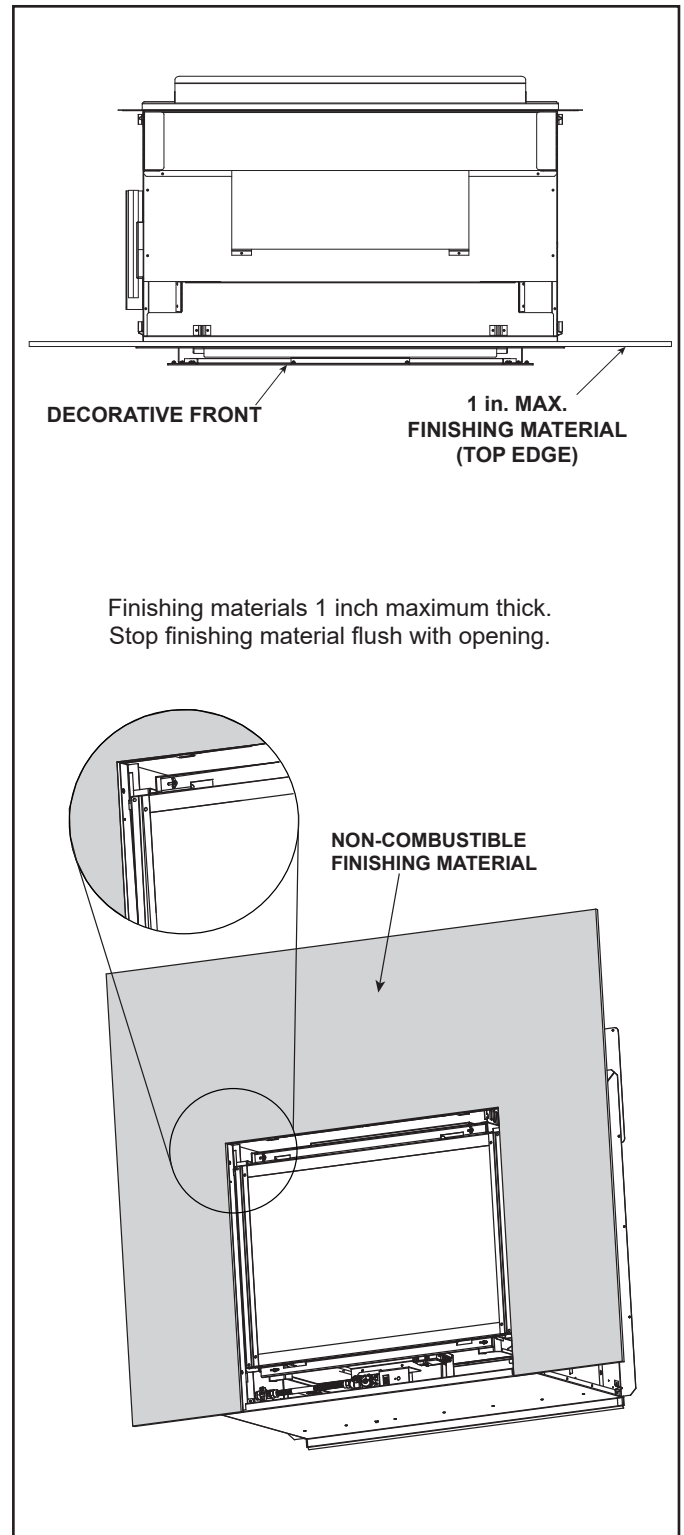


Figure 8.10 Finishing Material 1 Inch Thick or Less

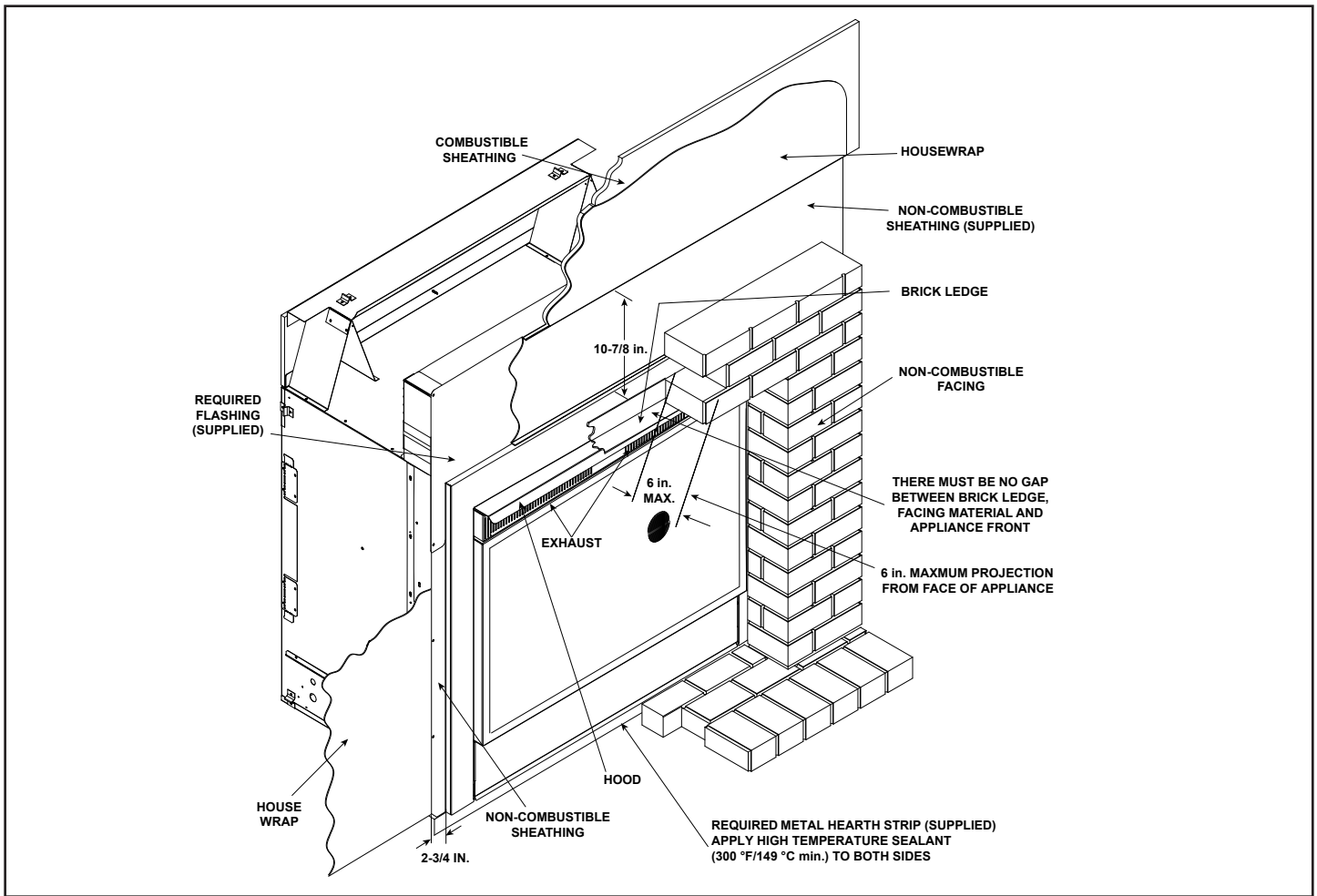


Figure 8.11 Exterior View

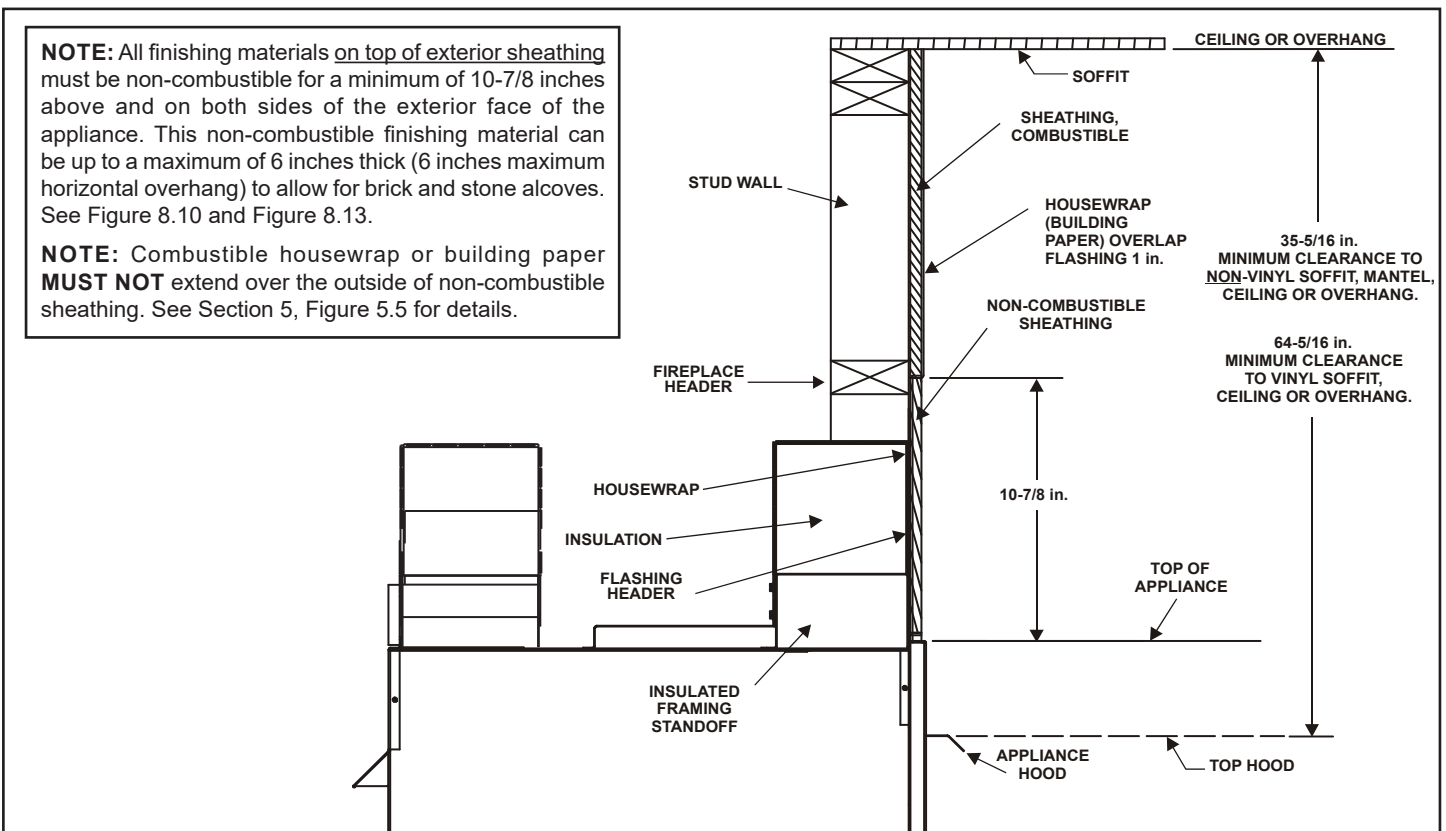


Figure 8.12 Exterior View

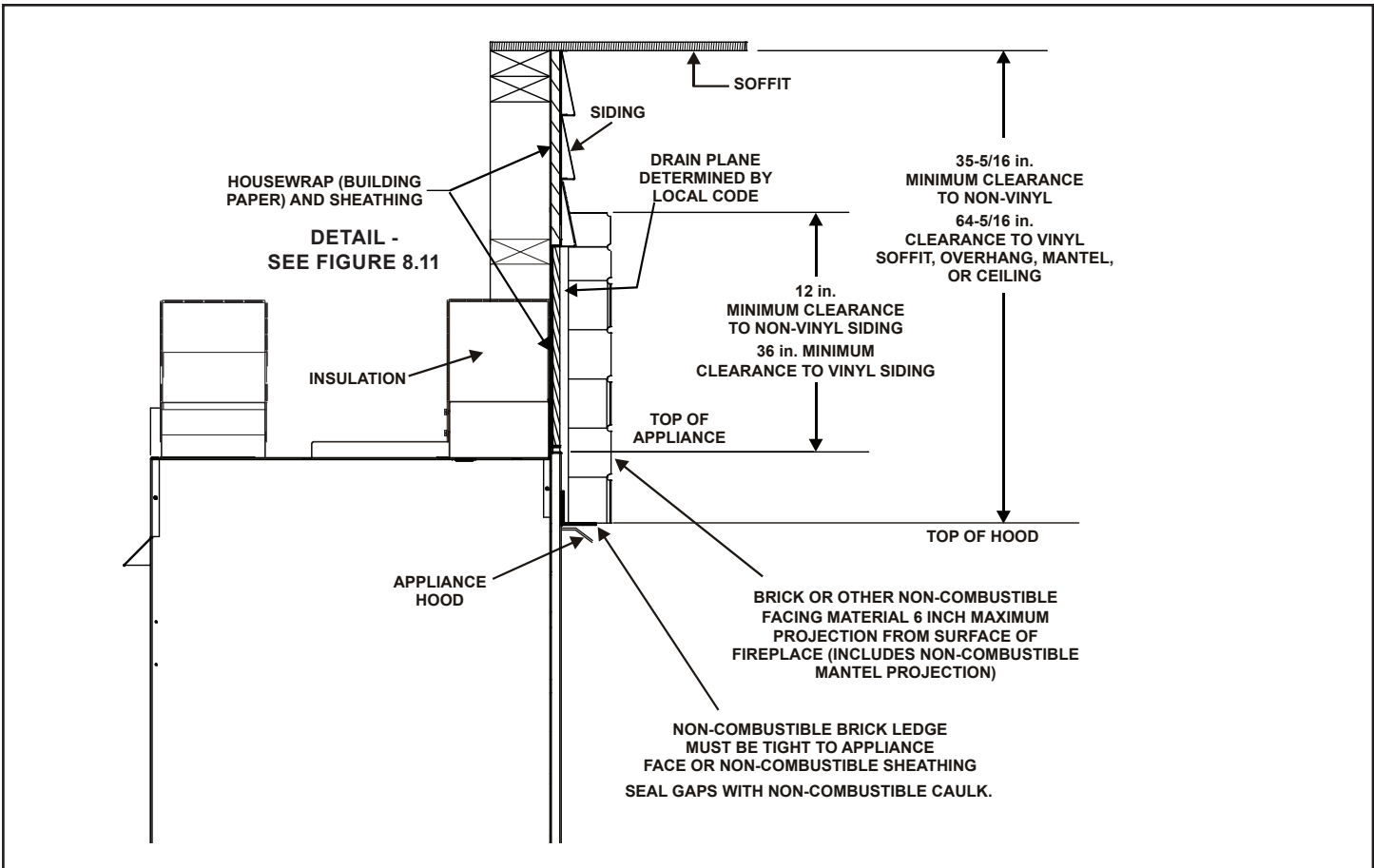


Figure 8.13 Exterior View with Non-combustible Facing Material

9 Appliance Setup

A. Fixed Glass Assembly

WARNING! Risk of Asphyxiation! Handle fixed glass assembly with care. Inspect the gasket to ensure it is undamaged and inspect the glass for cracks, chips or scratches.

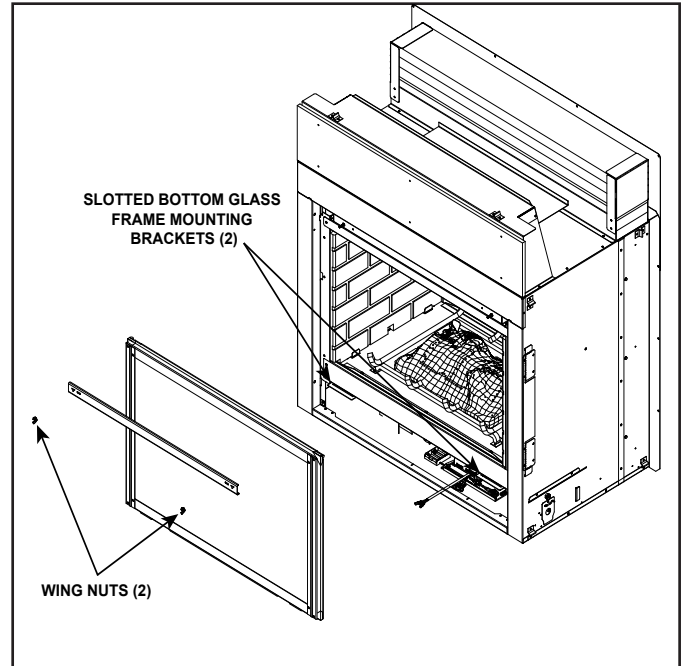
- **DO NOT** strike, slam or scratch glass.
- **DO NOT** operate fireplace with glass removed, cracked, broken or scratched.
- Replace as a complete assembly.

Removing Fixed Glass Assembly- Interior

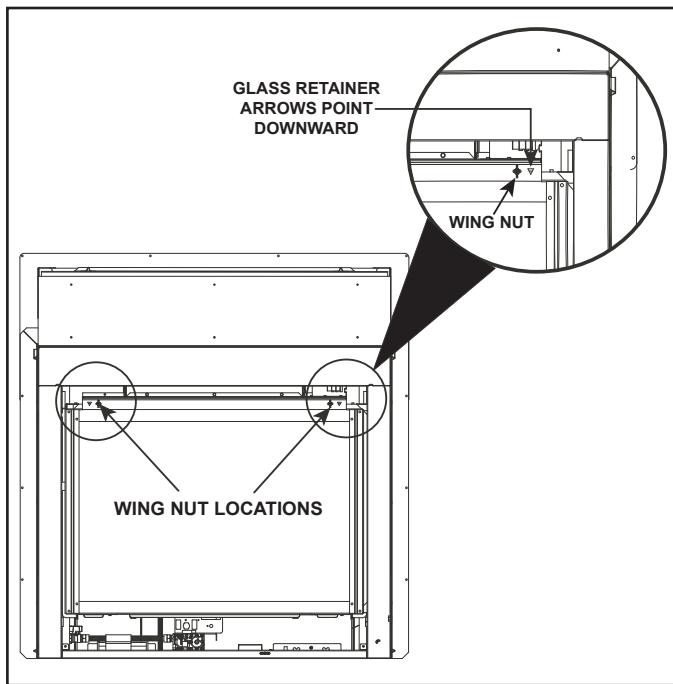
- Loosen and remove two wing nuts on top glass retainer bracket. Remove glass retainer bracket. See Figure 9.1
- Lift glass assembly tabs up and out of the slots in the bottom glass frame mounting brackets.

Replacing Fixed Glass Assembly - Interior

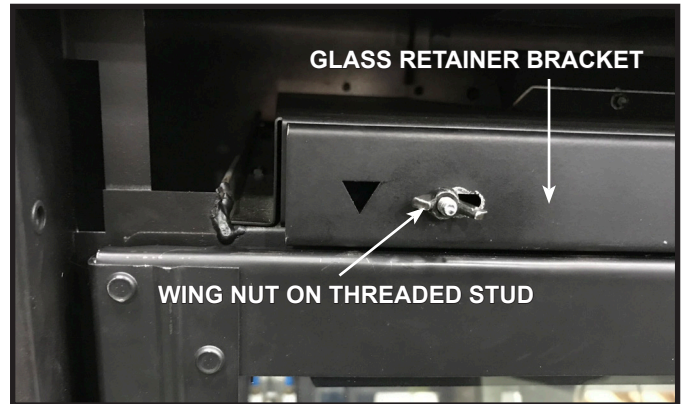
- Position glass assembly with the bottom tabs positioned inside the slots of the bottom glass frame mounting brackets. See Figures 9.2 and 9.4.
- Position top of glass assembly, position top glass retainer bracket with the arrows pointing downward, and secure with two wing nuts. See Figures 9.1 - 9.3.



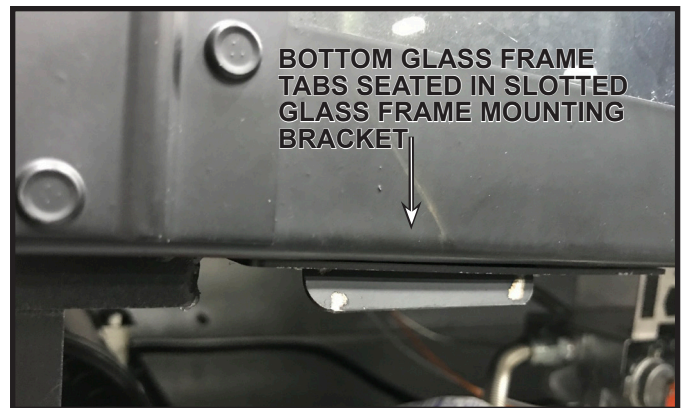
9.2 Glass Assembly - Removed



9.1 Glass Assembly - Wing Nut Location



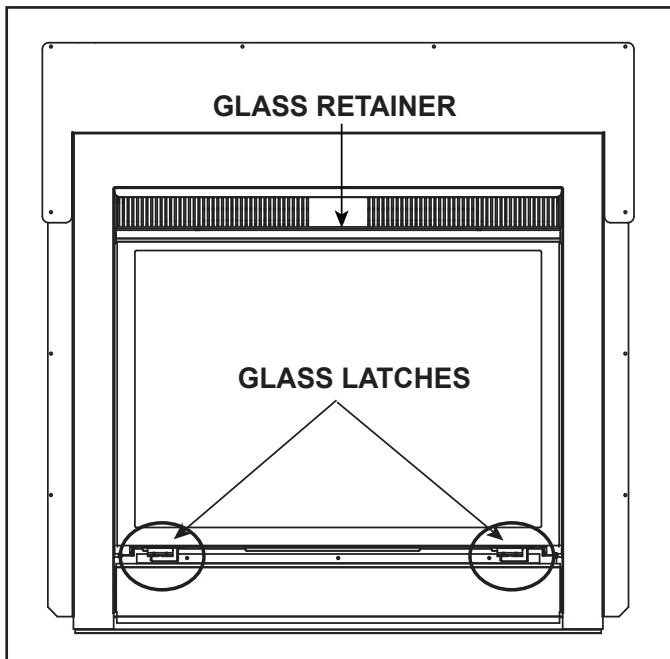
9.3 Glass Retainer Bracket & Wing Nut Detail



9.4 Bottom Glass Frame Detail

Removing Fixed Glass Assembly- Exterior

- Remove vanity panel from appliance to expose glass latches.
- Pull glass latch out to release. Grasp glass assembly on sides and pull bottom toward you. Slide glass assembly down and out from under glass retainer.



9.5 Glass Latch Locations - Exterior Side



9.6 Glass Assembly - Exterior Side

Replacing Fixed Glass Assembly - Exterior

- Slide top of glass assembly into position under glass retainer. Position bottom of glass assembly and secure glass latches.
- Replace vanity panel.

B. Remove the Shipping Materials

Remove shipping materials from inside or underneath the firebox.

C. Clean the Appliance

Clean/vacuum any sawdust that may have accumulated inside the firebox or underneath in the control cavity.

D. Lava Rock and Ember Placement

WARNING! Risk of Explosion! Follow ember placement instructions in manual. **DO NOT** place embers directly over burner ports. Replace ember material annually. Improperly placed embers interfere with proper burner operation.

Placing Lava Rock

Place lava rock on refractory support pan. Cover entire support pan surface (see Figure 9.7).



Figure 9.7 Placement of Lava Rock

Placing the Ember Material

Ember material is shipped with this gas appliance. To place the ember material:

- Embers CANNOT be placed directly over ports.
- When placing Glowing Embers® onto the burner care should be taken so that the ports are not covered. Place the dime-size ember pieces just in front of the port trail, but not on or in between the ports (see Figure 9.8). Failure to follow this procedure will likely cause lighting and sooting problems.



Figure 9.8 Placement of Ember Materials

- Save the remaining ember materials for use during appliance servicing. The embers provided should be enough for 3 to 5 applications.

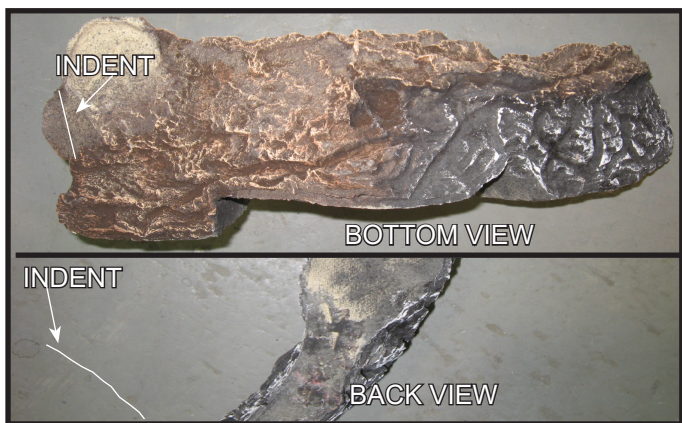
E. Install the Log Assembly



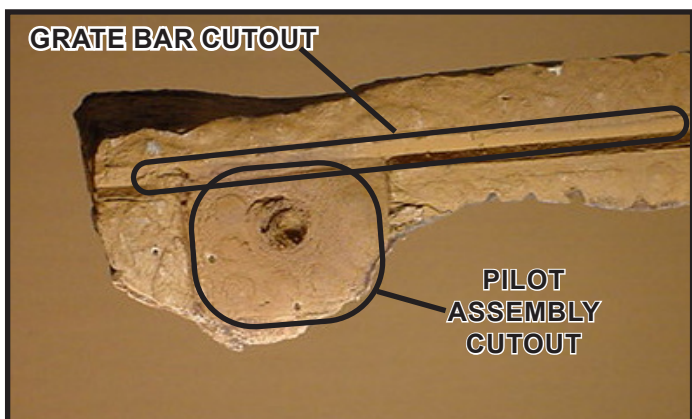
CAUTION: Logs are fragile! Carefully remove the logs from the packaging. Remove the cardboard support from inside of fireplace.



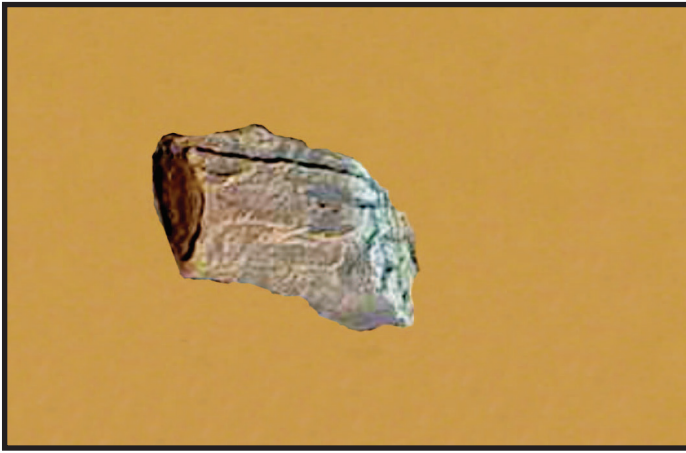
STEP 1. Before positioning the logs, refer to the installation manual for ember set-up and ember placement.



STEP 2. LOG #1 (SRV2005-701): Use the indent on the bottom side of the log to position the large end of the log onto the grate bar as shown. Slide the log back until the indent engages the grate tine as shown above. Position the thin end of log #1 one inch from port pattern as shown.



STEP 3. LOG #2 (SRV2005-700): Position log #2 on the left grate bar and the pilot assembly. Use the cut out notches on the log to position it as shown.



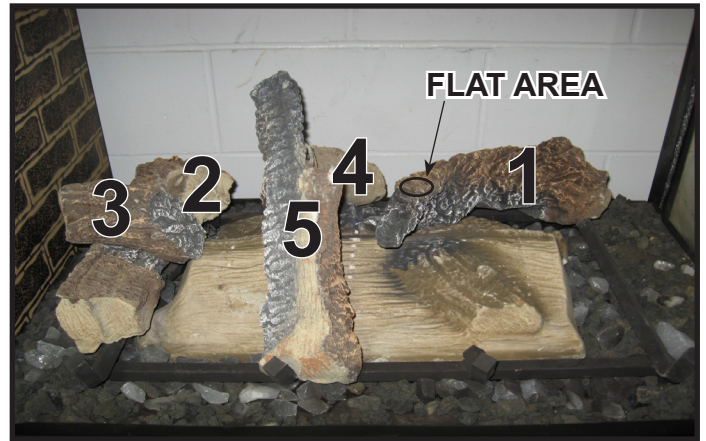
STEP 4. LOG #3 (SRV2005-702): Position log #3 as shown by leaning it against log #2 and resting the other end on the peak of the burner. **DO NOT** cover any port holes.



STEP 5. LOG #4 (SRV2005-703): Locate the sharp notch on log #4 against the grate tine as shown. The smooth cutout on the bottom of log #4 should rest on the burner surface. The side of Log #4 must be 3/4 inch from the nearest port hole on the right side of log #4. **DO NOT** cover any port holes.



STEP 6. LOG #5 (SRV2005-704): Using the sharp notch on the heavy end of log #5, align it on the grate tine and set it on the flat area of log #4 as shown.



STEP 7. LOG #6 (SRV2005-705): Locate the notch on log #6 and place it against the front right grate tine. Set the other end of the log so it rests on the flat area of log #1. The orientation of log #6 in relation to the grate tine is shown below.



Log Assembly Installed.

2005-937G

F. Appliance Start Up

After appliance is completely set up, replace glass assembly (assemblies). Start the appliance and perform a leak check using a commercially available, noncorrosive leak check solution. Be sure to rinse off all leak check solution following testing. Extinguish the pilot and turn the appliance off.

10 Reference Materials

A. Accessories

Install approved accessories per instructions included with accessories. Contact your dealer for a list of approved accessories.

WARNING! Risk of Fire and Electric Shock! Use *ONLY* Hearth & Home Technologies-approved optional accessories with this appliance. Using non-listed accessories could result in a safety hazard and will void the warranty.

Remote Controls, Wall Controls and Wall

Switches (Optional)

Follow the instructions supplied with the control installed to operate your fireplace:

For safety:

- Install a switch lock or a wall/remote control with child protection lockout feature.
- Keep remote controls out of reach of children.

See your dealer if you have questions.

Decorative Doors and Fronts

WARNING! Risk of Fire! Install *ONLY* doors or fronts approved by Hearth & Home Technologies. Unapproved doors or fronts may cause fireplace to overheat.

This fireplace has been supplied with an integral barrier to prevent direct contact with the fixed glass panel. DO NOT operate the fireplace with the barrier removed.

Contact your dealer or Hearth & Home Technologies if the barrier is not present or help is needed to properly install one.

For more information refer to the instructions supplied with your decorative door or front.

Optional Fan

If desired, a fan kit may be added. Contact your dealer to order the correct fan kit. The TWI-MOD decorative barrier front is not approved for use with the optional Fan Kit. Follow the instructions supplied with the fan kit to operate your fan. See your dealer if you have questions.

Please contact your Hearth & Home Technologies dealer with any questions or concerns.
For the location of your nearest Hearth & Home Technologies dealer, please visit www.hearthnhome.com.

Hearth & Home Technologies
7571 215th St, Lakeville, MN 55044

Printed in U.S.A. - Copyright 2021