

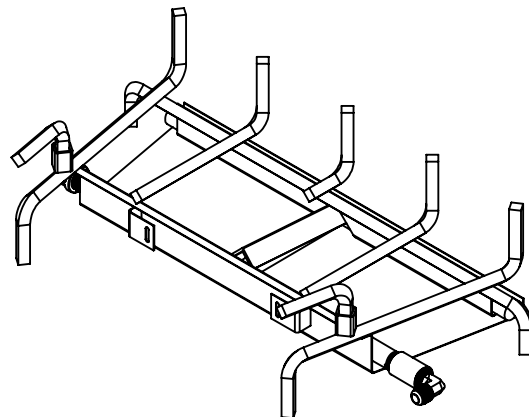
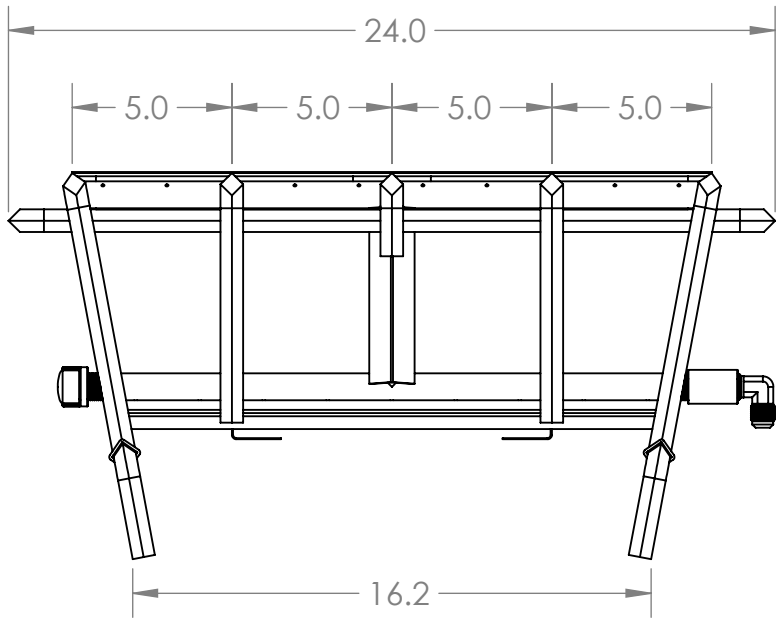
2

1

REVISIONS			
REV.	DESCRIPTION	DATE	APPROVED
A	RELEASED FOR PRODUCTION	8/2/2022	

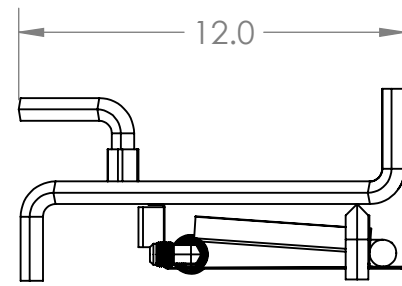
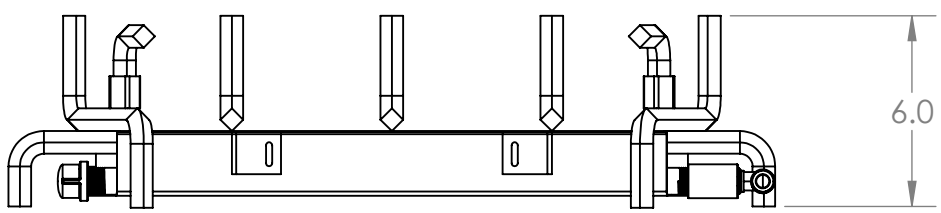
B

B



A

A



BRANDED: GRAND CANYON GAS LOGS
MODEL #: 2BRN-24



UNLESS OTHERWISE SPECIFIED:	NAME	DATE
DIMENSIONS ARE IN INCHES	DRAWN	RG 8/2/22
TOLERANCES:	CHECKED	DF 8/10/22
BEND +2/-0	ENG APPR.	
ONE PLACE DECIMAL ±.125	MFG APPR.	
TWO PLACE DECIMAL ±.0625	Q.A.	
INTERPRET GEOMETRIC TOLERANCING PER:	PROPRIETARY AND CONFIDENTIAL THE INFORMATION CONTAINED IN THIS DRAWING IS THE SOLE PROPERTY OF RICHARDSON'S PRODUCT GROUP. ANY REPRODUCTION IN PART OR AS A WHOLE WITHOUT THE WRITTEN PERMISSION OF RICHARDSON'S PRODUCT GROUP IS PROHIBITED.	
MATERIAL		
FINISH	SEE NOTE	
DO NOT SCALE DRAWING		

RPG BRANDS

TITLE:
2BRN-24

SIZE	DWG. NO.	REV
A	02-00406	A

SCALE: 1:6	WEIGHT:	SHEET 1 OF 1
------------	---------	--------------

2

1