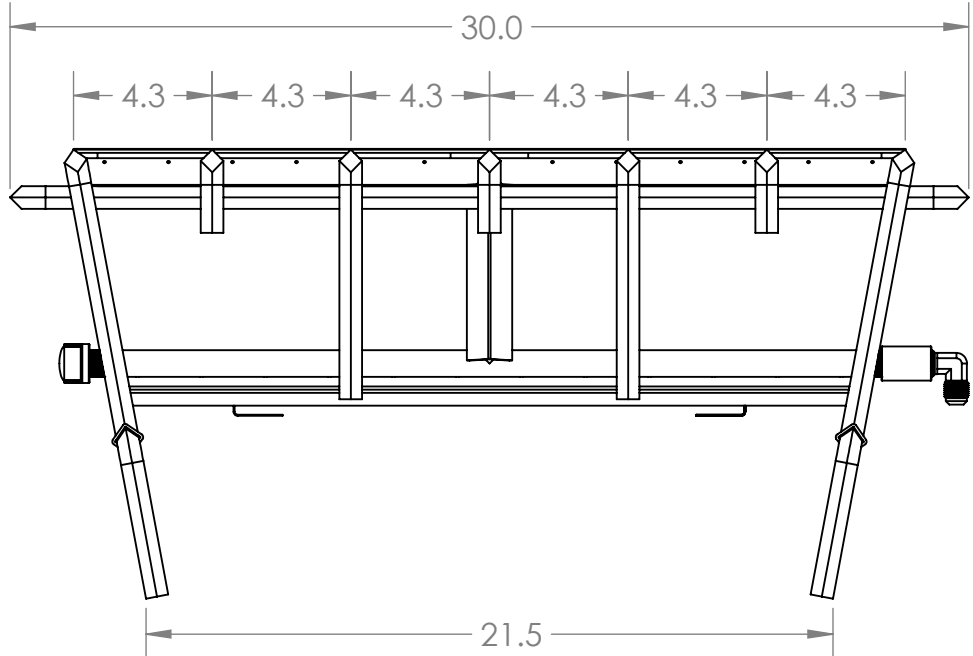


2

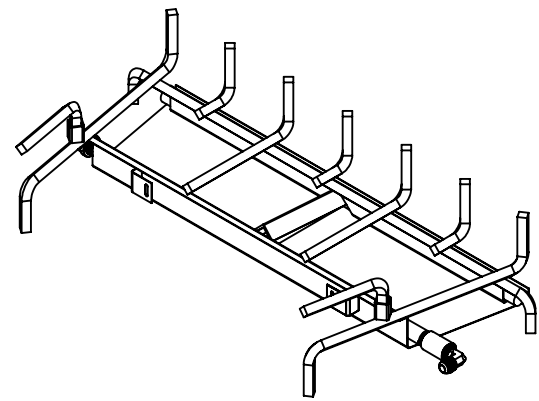
1

REVISIONS			
REV.	DESCRIPTION	DATE	APPROVED
A	RELEASED FOR PRODUCTION	8/2/2022	

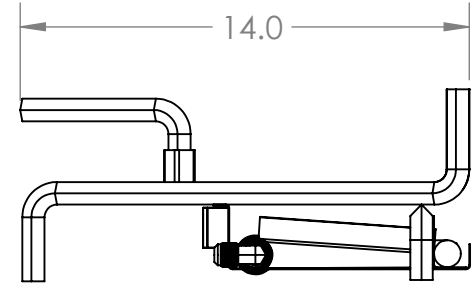
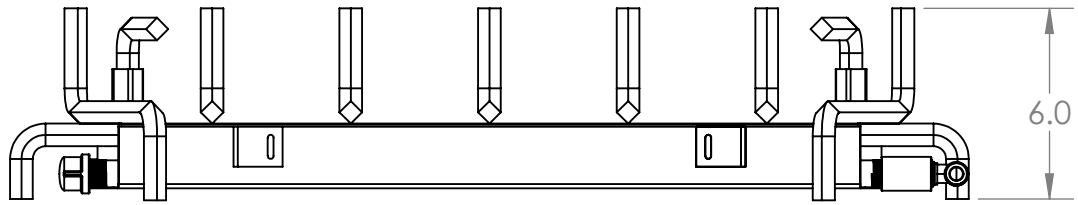
B



B



A



A

BRANDED: GRAND CANYON GAS LOGS  
MODEL #: 2BRN-30



UNLESS OTHERWISE SPECIFIED:

DIMENSIONS ARE IN INCHES  
TOLERANCES:  
BEND +2/-0  
ONE PLACE DECIMAL ±.125  
TWO PLACE DECIMAL ±.0625

INTERPRET GEOMETRIC TOLERANCING PER:

MATERIAL

FINISH

DO NOT SCALE DRAWING

	NAME	DATE
DRAWN	RG	8/2/22
CHECKED	DF	8/10/22
ENG APPR.		
MFG APPR.		
Q.A.		

**PROPRIETARY AND CONFIDENTIAL**  
THE INFORMATION CONTAINED IN THIS DRAWING IS THE SOLE PROPERTY OF RICHARDSON'S PRODUCT GROUP. ANY REPRODUCTION IN PART OR AS A WHOLE WITHOUT THE WRITTEN PERMISSION OF RICHARDSON'S PRODUCT GROUP IS PROHIBITED.

**RPG BRANDS**

TITLE:

2BRN-30

SIZE	DWG. NO.	REV
<b>A</b>	02-00407	A

SCALE: 1:6 WEIGHT: SHEET 1 OF 1

2

1