
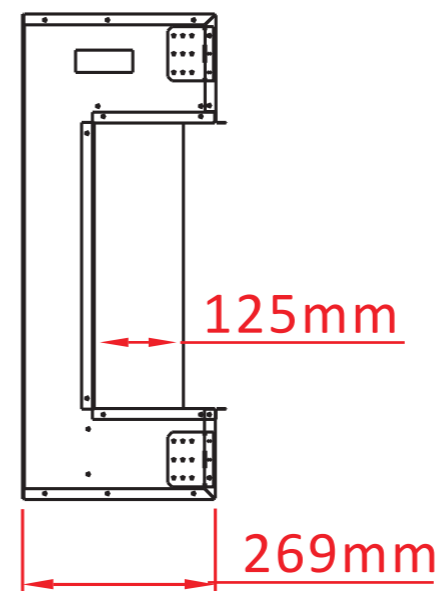
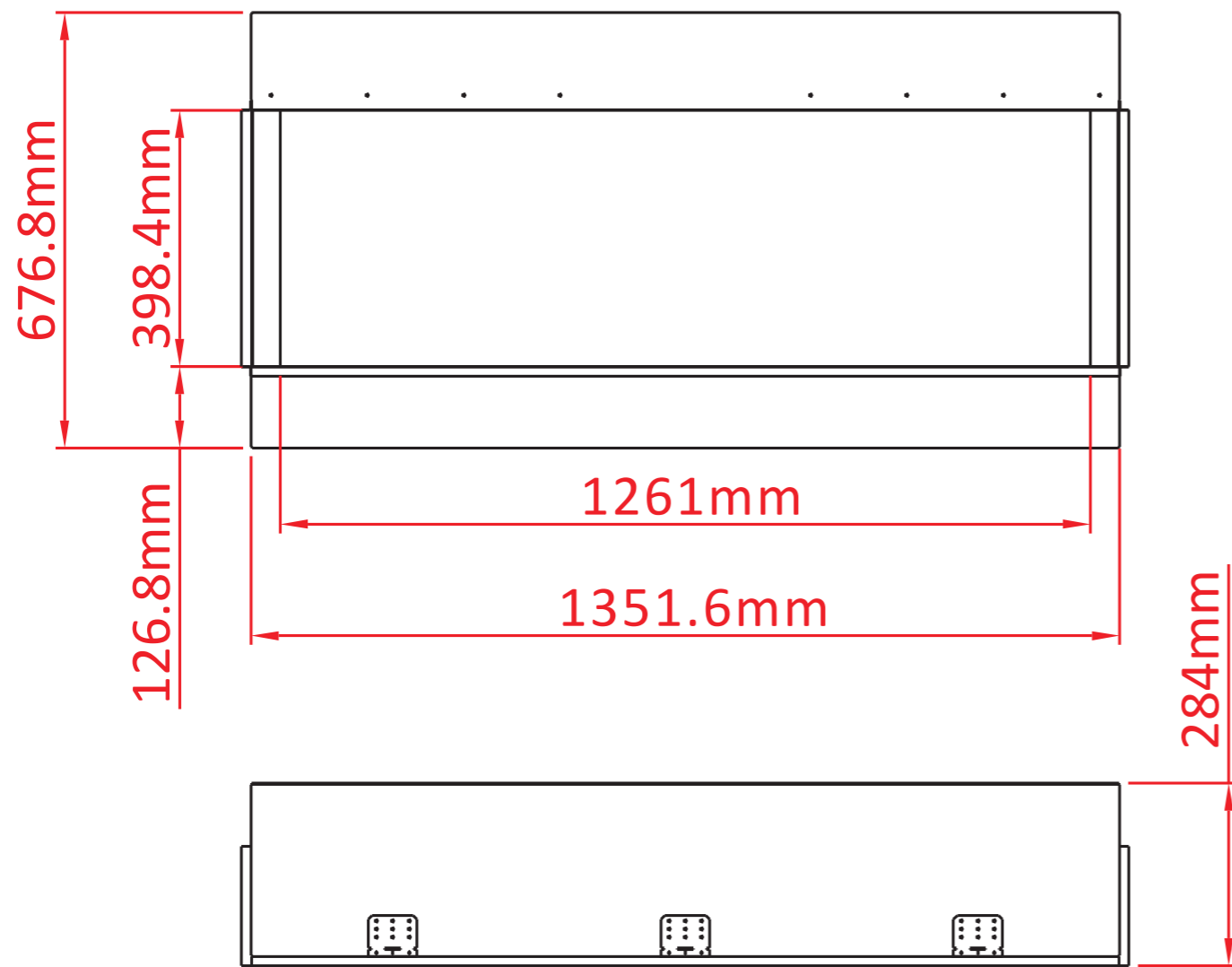


TECHNICAL SPECIFICATIONS

| | | |
|-----------------------|-----------------------------|------------|
| VOLTS | 120 | |
| AMPS | 12.5 | |
| WATTS | 1500 | |
| HEATER | HIGH | 1500 watts |
| | LOW | 750 watts |
| NO HEATER | 19 watts | |
| LAMPS | QUANTITY | LED |
| | WATTS | |
| | TOTAL WATTS | 19 watts |
| ROTOR MOTOR | 1 at 5 watts | |
| HEIGHT,WIDTH,DEPTH | 26 5/8" x 53 1/4" x 10 5/8" | |
| GLASS VIEWING OPENING | 15 5/8" X 49 5/8" | |
| GLASS SIZE | 15 5/8" X 49 5/8" | |
| SHIPPING SIZE | 29 1/8" x 57 4/8" x 12 5/8" | |
| SHIPPING WEIGHT | UNIT | 00.0 lbs |
| | GLASS FRONT | Included |
| | | |
| PLUG LOCATION | Left Side | |
| CORD LENGTH | 76" | |
| APPROX. HEATING AREA | 400 sq ft | |



| | | | |
|----------------|----------------|---|-----|
| SERIES | MODEL |  | REV |
| TRU VIEW | 50-TV-SLIM | | 1 |
| SCALE 1"=1'-0" | DATE: 9/4/2019 | SHEET 1 OF 1 | |



TECHNICAL SPECIFICATIONS

| | | |
|-----------------------|------------------------|------------|
| VOLTS | 120 | |
| AMPS | 12.5 | |
| WATTS | 1500 | |
| HEATER | HIGH | 1500 watts |
| | LOW | 750 watts |
| NO HEATER | 19 watts | |
| LAMPS | QUANTITY | LED |
| | WATTS | |
| | TOTAL WATTS | 19 watts |
| ROTOR MOTOR | 1 at 5 watts | |
| HEIGHT,WIDTH,DEPTH | 67.7 x 135.1 x 26.9 cm | |
| GLASS VIEWING OPENING | 39.8 X 126.1 cm | |
| GLASS SIZE | 39.8 X 126.1 cm | |
| SHIPPING SIZE | 74 x 146.2 x 32 cm | |
| SHIPPING WEIGHT | 00.0 Kgs | |
| GLASS FRONT | UNIT | |
| | | Included |
| PLUG LOCATION | Left Side | |
| CORD LENGTH | 193 cm | |
| APPROX. HEATING AREA | 37 sqm | |

Amantii

| | | | |
|------------|----------------|---|-----|
| SERIES | MODEL |  | REV |
| TRU VIEW | 50-TV-SLIM | | 1 |
| SCALE 1:12 | DATE: 9/4/2019 | SHEET 1 OF 1 | |