



INSTALLATION AND OPERATION MANUAL

Ascent™ Multi-View (BHD4ST illustrated)

SAFETY INFORMATION

! WARNING

FIRE OR EXPLOSION HAZARD

Failure to follow safety warnings exactly could result in serious injury, death, or property damage.

- Do not store or use gasoline or other flammable vapors and liquids in the vicinity of this or any other appliance.

- WHAT TO DO IF YOU SMELL GAS:

- Do not try to light any appliance.
- Do not touch any electrical switch; do not use any phone in your building.
- Immediately call your gas supplier from a neighbour's phone. Follow the gas supplier's instructions.
- If you cannot reach your gas supplier, call the fire department.

- Installation and service must be performed by a qualified installer, service agency, or the supplier.

This appliance may be installed in an aftermarket, permanently located, manufactured home (USA only) or mobile home, where not prohibited by local codes.

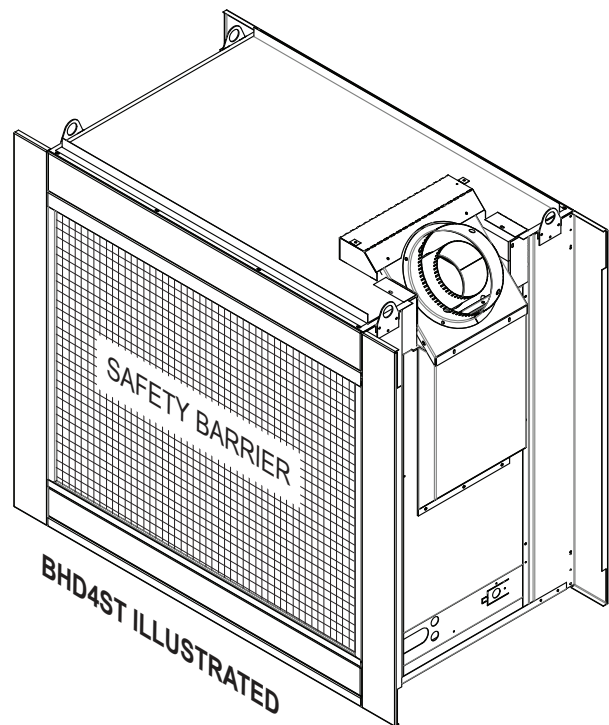
This appliance is only for use with the type of gas indicated on the rating plate. This appliance is not convertible for use with other gases, unless a certified kit is used.

INSTALLER:

Leave this manual with the appliance

CONSUMER:

Retain this manual for future reference



FOR INDOOR USE ONLY

CERTIFIED TO THE CANADIAN AND AMERICAN NATIONAL STANDARDS:
CSA 2.22 AND ANSI Z21.50 FOR VENTED DECORATIVE GAS APPLIANCES

APPLY SERIAL NUMBER LABEL FROM CARTON



Wolf Steel Ltd., 24 Napoleon Rd., Barrie, ON, L4M 0G8 Canada / 103 Miller Drive, Crittenden, Kentucky, USA, 41030
Phone 1 (866) 820-8686 • www.napoleon.com • hearth@napoleon.com

! WARNING

- **This appliance is hot when operated and can cause severe burns if contacted.**
- **Any changes or alterations to this appliance or its controls can be dangerous and is prohibited.**
- Do not operate appliance before reading and understanding operating instructions. Failure to operate appliance according to operating instructions could cause fire or injury.
- Ensure the glass door is opened or removed when lighting the pilot for the first time and when the gas supply has run out.
- Risk of fire or asphyxiation, do not operate appliance with fixed glass removed and never obstruct the front opening of the appliance.
- Do not connect 110 volts to the control valve, with the exception of models; GSST8 and GT8.
- Risk of burns. The appliance should be turned off and cooled before servicing.
- Do not install damaged, incomplete or substitute components.
- Risk of cuts and abrasions. Wear protective gloves, protective footwear, and safety glasses during installation. Sheet metal edges may be sharp.
- Do not burn wood or other materials in this appliance.
- Provide adequate ventilation and combustion air. Provide adequate accessibility clearance for servicing and operating the appliance.
- High pressure will damage valve. Disconnect gas supply piping before pressure testing gas line at test pressures above 1/2 psig. Close the manual shut-off valve before pressure testing gas line at test pressures equal to or less than 1/2 psig (35mb).
- The appliance must not be operated at temperatures below freezing (32°F / 0°C). Allow the appliance to warm to above freezing prior to operation, with the exception of models; GSS36, GSS42; these appliances are suitable for 0°F / -18°C.
- **Children and adults should be alerted to hazards of high surface temperature and should stay away to avoid burns or clothing ignition.**
- **Young children should be carefully supervised when they are in the same room as the appliance. Toddlers, young children and others may be susceptible to accidental contact burns. A physical barrier is recommended if there are at risk individuals in the house. To restrict access to an appliance or stove, install an adjustable safety gate to keep toddlers, young children and other at risk individuals out of the room and away from hot surfaces.**
- **Clothing or other flammable material should not be placed on or near the appliance.**
- **Due to high temperatures, the appliance should be located out of traffic and away from furniture and draperies.**
- Furniture or other objects must be kept a minimum of 4 feet (1.22m) away from the front of the appliance.
- Ensure you have incorporated adequate safety measure to protect infants/toddlers from touching hot surfaces.
- Even after the appliance is off, it will remain hot for an extended period of time.
- Check with your local hearth specialty dealer for safety screens and hearth guards to protect children from hot surfaces. These screens and guards must be fastened to the floor.
- **Any safety screen, guard or barrier removed for servicing the appliance, must be replaced prior to operating the appliance.**
- It is imperative that the control compartments, burners and circulating blower and its passageway in the appliance and venting system are kept clean. The appliance and its venting system should be inspected before use and at least annually by a qualified service person. More frequent cleaning may be required due to excessive lint from carpeting, bedding material, etc. The appliance area must be kept clear and free from combustible materials, gasoline and other flammable vapors and liquids.
- If the appliance shuts off, do not re-light until you provide fresh air. If appliance keeps shutting off, have it serviced. Keep burner and control compartment clean.
- Under no circumstances should this appliance be modified.
- Do not allow wind or fans to blow directly into the appliance. Avoid any drafts that alter burner flame patterns.

DANGER

HOT GLASS WILL CAUSE BURNS.

DO NOT TOUCH GLASS UNTIL COOLED.

NEVER ALLOW CHILDREN TO TOUCH GLASS.

A barrier designed to reduce the risk of burns from the hot viewing glass is provided with this appliance and shall be installed for the protection of children and other at-risk individuals.

! WARNING


- Do not use a blower insert, heat exchanger insert or other accessory not approved for use with this appliance.
- This appliance must not be connected to a chimney flue pipe serving a separate solid fuel burning appliance.
- Do not use this appliance if any part has been under water. Immediately call a qualified service technician to inspect the appliance and to replace any part of the control system and any gas control which has been under water.
- Do not operate the appliance with the glass door removed, cracked or broken. Replacement of the glass should be done by a licensed or qualified service person, if equipped.
- Do not strike or slam shut the appliance glass door, if equipped.
- **Only doors / optional fronts certified with the appliance are to be installed on the appliance.**
- Keep the packaging material out of reach of children and dispose of the material in a safe manner. As with all plastic bags, these are not toys and should be kept away from children and infants.
- Carbon or soot should not occur in a vent free appliance as it can distribute into the living area of your home. If you notice any signs of carbon or soot, immediately turn off your appliance and arrange to have it serviced by a qualified technician before operating it again.
- If equipped, the screen must be in place (closed) when the appliance is in operation.
- When equipped with pressure relief doors, they must be kept closed while the appliance is operating to prevent exhaust fumes containing carbon monoxide, from entering into the home. Temperatures of the exhaust escaping through these openings can also cause the surrounding combustible materials to overheat and catch fire.
- Carbon monoxide poisoning may lead to death; early signs of carbon monoxide poisoning resemble the flu, with headache, dizziness and/or nausea. If you have these signs, the appliance may not be working properly. Get fresh air at once! Have appliance serviced. Some people; pregnant women, persons with heart or lung disease, anemia, those under the influence of alcohol, those at high altitudes are more affected by carbon monoxide than others. Failure to keep the primary air opening(s) of the burner(s) clean may result in sooting and property damage.
- As with any combustion appliance, we recommend having your appliance regularly inspected and serviced as well as having a Carbon Monoxide Detector installed in the same area to defend you and your family against Carbon Monoxide (not applicable for outdoor appliances).
- Ensure clearances to combustibles are maintained when building a mantel or shelves above the appliance. Elevated temperatures on the wall or in the air above the appliance can cause melting, discolouration or damage to decorations, a TV or other electronic components.
- **For appliances equipped with a safety barrier; if the barrier becomes damaged, the barrier shall be replaced with the manufacturer's barrier for this appliance.**
- **Installation and repair should be done by a qualified service person. It is imperative that control compartments, burners and circulating air passageways of the appliance be kept clean.**
- For outdoor products only: this appliance must not be installed indoors or within any structure that prevents or inhibits the exhaust gases from dissipating in the outside atmosphere.
- If applicable, the millivolt version of this appliance uses and requires a fast acting thermocouple. Replace only with a fast acting thermocouple supplied by Wolf Steel Ltd.

! WARNING: This product can expose you to chemicals including lead and lead compounds, which are known to the State of California to cause cancer, and chemicals including carbon monoxide, which are known to the State of California to cause birth defects or other reproductive harm. For more information, go to www.P65Warnings.ca.gov.

! WARNING !

FIRE RISK HAZARD / DELAYED IGNITION

High supply pressure will damage the valve / controls.



Disconnect the appliance main gas valve/control from the supply piping when pressure testing that system at pressures in excess of 1/2 psi (3.5 kPa).

Isolate the appliance with its shut off valve during any pressure testing of the supply piping at pressures equal to or less than 1/2 psi (3.5 kPa).

table of contents

1.0	general information	6	11.0	finishing	37
1.1	rating plate / lighting instruction location	8	11.1	shipping bracket	37
1.2	mobile home installation	8	11.2	main safety barrier removal / installation	37
2.0	dimensions	9	11.3	end safety barrier removal / installation (BHD4P only)	38
3.0	minimum venting requirements	10	11.4	main door removal / installation	39
3.1	typical vent installations	12	11.5	end door removal / installation (BHD4P only)	40
3.2	special vent installations	13	11.6	control panel removal	40
3.2.1	periscope termination	13	11.7	installing combustible board	41
3.2.2	reduced vent clearance to combustibles	13	11.7.1	finishing support adjustment	42
3.3	converting from 5/8" to 4/7" venting	14	11.8	minimum mantel clearances	43
3.4	vent terminal clearances	15	11.9	non-combustible facing material	44
3.5	vent application flow chart	16	11.10	hearth pad installation	45
3.6	definitions	16	11.11	log placement	45
3.7	elbow vent length values	16	11.11.1	glowing embers	47
3.8	horizontal termination	17	11.11.2	charcoal embers	47
3.9	vertical termination	19	11.11.3	charcoal lumps	47
4.0	framing	21	11.12	glass media installation	48
4.1	framing	22	11.13	logo placement	49
4.1.1	see-thru framing (BHD4ST)	22	12.0	adjustments	50
4.1.2	peninsula framing (BHD4P)	22	12.1	pilot burner adjustment	50
4.2	minimum clearance to combustible enclosures	23	12.2	venturi adjustment	50
4.2.1	see-thru (BHD4ST)	23	12.3	restricting vertical vents	50
4.2.2	peninsula (BHD4P)	23	12.4	flame characteristics	51
5.0	venting installation	24	13.0	maintenance	52
5.1	horizontal installation	25	13.1	care of glass	53
5.2	vertical installation	25	13.2	annual maintenance	54
5.3	using flexible vent components	26	13.3	glass / door replacement	54
5.3.1	horizontal air terminal installation	27	13.4	burner removal	55
5.3.2	vertical air terminal installation	28	13.4.1	log burner removal	55
5.3.3	appliance vent connection	28	13.4.2	glass burner removal	55
6.0	electrical information	29	13.4.3	cradle burner removal	56
6.1	hard wiring connection	29	13.5	valve train replacement	56
6.2	receptacle wiring diagram	29	14.0	replacement parts	57
6.3	electronic wiring diagram	29	14.1	BHD4P overview	58
6.4	battery back-up installation	30	14.2	BHD4ST overview	59
6.5	wiring diagram	31	14.3	glass burner assembly	60
7.0	gas installation	32	14.4	glass burner valve train assembly	61
7.1	access panel for gas line connection	32	14.5	log / cradle burner assembly	62
8.0	nauling tab installation	33	14.6	log / cradle burner valve train assembly	63
9.0	operation	34	15.0	accessories	64
9.1	pilot-on-demand	35	16.0	troubleshooting	65
10.0	operating instructions	36	17.0	warranty	68
10.1	operating instructions - for your safety read before operating	36	18.0	service history	69
10.2	lighting instructions	36			

Installer: please fill out the following information

Customer: _____
 Address: _____
 Date of Installation: _____
 Location of appliance: _____
 Installer: _____
 Dealer/Distributor contact number: _____
 Serial #: _____

Model:

- Natural Gas:** BHD4PN BHD4STN **Propane:** BHD4PP BHD4STP
 BHD4PGN BHD4STGN BHD4PGP BHD4STGP
 BHD4PFCN BHD4STFCN BHD4PFCP BHD4STFCP

Fuel Type	Natural Gas	Propane
Altitude (FT)	0-4,500	
Max. Input (BTU/hr)	30,000	
Max. Output (BTU/hr)	23,000	
Min. Inlet Gas Supply Pressure	4.5" w.c. (11mb)	11" w.c. (27mb)
Max. Inlet Gas Supply Pressure	13" w.c. (32mb)	13" w.c. (32mb)
Manifold Pressure (Under Flow Confictions)	3.5" w.c. (9mb)	10" w.c. (25mb)

Product Codes		
	Media type	Fuel type
BHD4PN	Logs	Natural Gas
BHD4PP	Logs	Propane
BHD4STN	Logs	Natural Gas
BHD4STP	Logs	Propane
BHD4PGN	Glass	Natural Gas
BHD4PGP	Glass	Propane
BHD4STGN	Glass	Natural Gas
BHD4STGP	Glass	Propane
BHD4PFCN	Fire Cradle	Natural Gas
BHD4PFCP	Fire Cradle	Propane
BHD4STFCN	Fire Cradle	Natural Gas
BHD4STFCP	Fire Cradle	Propane

1.0 general information

When the appliance is installed at elevations above 4,500ft (1372m), and in the absence of specific recommendations from the local authority having jurisdiction, the certified high altitude input rating shall be reduced at the rate of 4% for each additional 1,000ft (305m). Expansion / contraction noises during heating up and cooling down cycles are normal and are to be expected. Change in flame appearance from “HI” to “LO” is more evident in natural gas than in propane.

This appliance is approved for bathroom, bedroom and bed-sitting room installations and is certified for mobile home installation.

This appliance is only for use with the type of gas indicated on the rating plate. This appliance is not convertible for use with other gases, unless a certified kit is used.

note:

A barrier designed to reduce the risk of burns from the hot viewing glass is provided with the appliance and must be installed.

The protective wrap on plated parts is best removed when the assembly is at room temperature but this can be improved if the assembly is warmed, using a hair dryer or similar heat source.

This appliance is a decorative product. It is not a source of heat and not intended to burn solid fuel.

No external electricity (110 volts or 240 volts) is required for the gas system operation. If utilizing one of Wolf Steel's trim or surround kits, follow the framing instructions and the finishing instructions for removal of the top extension.



Batteries must be disposed of according to the local laws and regulations. Some batteries may be recycled, and may be accepted for disposal at your local recycling center. Check with your municipality for recycling instructions.

! WARNING

- Always light the pilot whether for the first time or if the gas supply has run out, with the glass door opened or removed.
- Provide adequate clearance for servicing and operating the appliance.
- Provide adequate ventilation.
- Never obstruct the front opening of the appliance.
- Objects placed in front of the appliance must be kept a minimum of 48" (121.9cm) from the front face of the appliance.
- Surfaces around and especially above the appliance can become hot. Avoid contact when appliance is operating.
- Fire risk. Explosion hazard.
- High pressure will damage valve. Disconnect gas supply piping before pressure testing gas line at test pressures above 1/2 PISG (35mb). Close the manual shut-off valve before pressure testing gas line at test pressures equal to or less than 1/2 PISG (35mb).
- Use only Wolf Steel approved optional accessories and replacement parts with this appliance using non-listed accessories (blowers, doors, louvres, trims, gas components, venting components, etc.) could result in a safety hazard and will void the warranty and certification.
- The appliance must not be operated at temperatures below freezing (32°F/0°C). Allow the appliance to warm to above freezing prior to operation.

THIS GAS APPLIANCE MUST BE INSTALLED AND SERVICED BY A QUALIFIED INSTALLER to conform with local codes. Installation practices vary from region to region and it is important to know the specifics that apply to your area, for example in the state of Massachusetts:

- This product must be installed by a licensed plumber or gas fitter when installed within the commonwealth of Massachusetts.
- The appliance damper must be removed or welded in the open position prior to installation of an appliance insert or gas log.
- The appliance off valve must be a "T" handle gas cock.
- The flexible connector must not be longer than 36 inches (0.9m).
- A carbon monoxide detector is required in all rooms containing gas fired appliances.
- The appliance is not approved for installation in a bedroom or bathroom unless the unit is a direct vent sealed combustion product.

The installation must conform with local codes or, in absence of local codes, the National Gas and Propane Installation Code CSA B149.1 in Canada, or the National Fuel Gas Code, ANSI Z223.1 / NFPA 54 in the United States. Suitable for mobile home installation if installed in accordance with the current standard CAN/CSA Z240MH Series, for gas equipped mobile homes, in Canada or ANSI Z223.1 and NFPA 54 in the United States.

The appliance and its individual shutoff valve must be disconnected from the gas supply piping system during any pressure testing of that system at test pressures in excess of 1/2 psig (35 mb).

The appliance must be isolated from the gas supply piping system by closing its individual manual shutoff valve during any pressure testing of the gas supply piping system at test pressures equal to or less than 1/2 psig (35 mb). When installed with a blower or fan, the junction box must be electrically connected and grounded in accordance with local codes. In the absence of local codes, use the current CSA C22.1 Canadian Electrical Code in Canada or the ANSI / NFPA 70 National Electric Code in the United States. In the case where the blower is equipped with a power cord, it must be connected into a properly grounded receptacle. The grounding prong must not be removed from the cord plug.

The following does not apply to inserts; as long as the required clearance to combustibles is maintained, the most desirable and beneficial location for an appliance is in the center of a building, thereby allowing the most efficient use of the heat created. The location of windows, doors and, the traffic flow in the room where the appliance is to be located should be considered. If possible, you should choose a location where the vent will pass through the house without cutting a floor or roof joist. If the appliance is installed directly on carpeting, vinyl tile or other combustible material other than wood flooring, the appliance shall be installed on a metal or wood panel extending the full width and depth, unless otherwise tested.



NATIONAL FIREPLACE INSTITUTE
NFI
CERTIFIED
www.nficertified.org

We suggest that our gas hearth products be installed and serviced by professionals who are certified in the U.S. by the National Fireplace Institute® (NFI) as NFI Gas Specialists

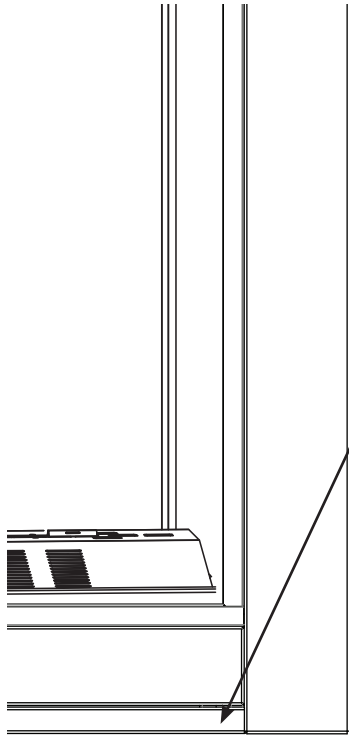
1.1 rating plate / lighting instruction location

WARNING

- Allow the appliance to cool before performing any maintenance or cleaning.

NOTE: Screen must be removed to access rating plate / lighting instructions.

Both the rating plate and lighting instructions are attached to a cable and located behind the control panel of the appliance. Lift the access plate and control panel up and away from the appliance. With the cable at the bulb end of the slot, wiggle the rating plate out being careful not to tear the instructions.



Certified to Canadian and American National Standards: **CSA 2.22-XXXX / ANSI Z21.50-XXXX for Vented Decorative Gas Appliances**
 Certifié selon les normes Nationales Canadiennes et Américaines: **CSA 2.22-XXXX / ANSI Z21.50-XXXX pour les Appareils à gaz décoratifs à évacuation**
 Direct vent, vented gas fireplace. Approved for bedroom, bathroom and bed/sleeping room installation. Suitable for mobile home installation. If installed in accordance with the current standard CAN / CSA Z240MH Series gas equipped mobile homes in Canada, or in the United States, the *Manufactured Home Construction and Safety Standard, Title 24 CFR, Part 3280*. When the US Standard is not applicable, use the Standard for Fire Safety Criteria for Manufactured Home Installations, Sites and Communities, *ANSI / NFPA 501A, The appliance must be installed in accordance with local codes, if any, if none, follow the current ANSI Z223.1, or CSA B149. For use with barrier WXXX-XXXX. Follow installation instructions.*
 Foyer à gaz ventilé. Homologué pour installation dans une chambre à coucher, une salle de bain et un studio. Approuvé pour installation dans une maison mobile si son installation conforme aux exigences de la norme CAN / CSA Z240MH Series de maisons mobile équipées au gaz en vigueur au Canada, ou aux États-Unis selon le *Registre 24 CFR, Part 3280, Manufactured Home Construction and Safety Standard*. Dans le cas où cette norme d'États-Unis n'est pas pertinente, utiliser la norme *ANSI / NFPA 501A, Fire Safety Criteria for Manufactured Home Installations, Sites and Communities. Installer l'appareil selon les codes ou règlements locaux ou, en l'absence de tels règlements, selon le Code d'installation ANSI Z223.1 ou CSA B149 en vigueur. Utiliser uniquement avec l'écran WXXX-XXXX. Suivre les instructions d'installation.*

9700539 (WSL) 4001658 (NAC) 4001657 (NGZ) 4001659 (WUSA)
 XXXXX XXXX XXXX XXXX
 XXXX XXXX XXXX XXXX

MODEL / MODÈLE

Altitude: 0-XXXXX (0-XXXXXm) Elevation: XXXX

Input: XXXXX Alimentation: XXXXX
 Reduced input: XXXXX Alim. Réduite: XXXXX
 P4: XXXX

Manifold Pressure: 3.5" w.c. (NG) Minimum Supply Pressure: 11" w.c. (P)
 Minimum Supply Pressure: 4.5" w.c. (NG) Maximum Supply Pressure: 13" w.c. (P)

Pressure au Collecteur: 3.5" d'une colonne d'eau (GN) Pression de Collecteur: 11" d'une colonne d'eau (P)
 Pression d'Alimentation Max: 4.5" d'une colonne d'eau (GN) Pression d'Alimentation Max: 11" d'une colonne d'eau (P)
 Pression d'Alimentation Max: 7" d'une colonne d'eau (GN) Pression d'Alimentation Max: 13" d'une colonne d'eau (P)

Minimum clearance to combustible materials: This table is back per standard options for framing and finishing materials. For non-combustible framing and finishing materials, see installation manual.
 Décalage minimum des matériaux combustibles: Cette table est à l'arrière selon les options de montage et de finition pour les matériaux combustibles. Pour les matériaux non combustibles, voir le manuel d'installation.

Top "X" Rénover "X"
 Floor "X" Cales "X"
 Sides "X" Arrière "X"
 Back "X" Côtés "X"
 Vent top "X" Ciel "X"
 Vent sides bottom "X" Côtés et dessous du conduit d'évent "X"
 Recessed depth "X" Profondeur d'encastré une face "X"

***Mount "X" from appliance opening **Maximum horizontal extension: "X" See installation manual for gas/air selections, minimum vent height and maximum vent lengths. Electrical rating: 115V, 60Hz, Less than 12 ampere.
 **Écarter "X" de l'ouverture de l'appareil **Élévation horizontale maximale: "X". Suivre au manuel d'installation pour des extensions plus grandes, les hauteurs d'évacuation et les longueurs d'évacuation. Évaluation électrique: 115V, 60Hz, Moins de 12 ampère.

VENTED DECORATIVE GAS APPLIANCE: NOT A SOURCE OF HEAT, NOT INTENDED FOR USE AS A HEATING APPLIANCE, NOT FOR USE WITH SOLID FUEL.
APPAREIL À GAZ DÉCORATIF À ÉVACUATION: N'EST PAS UNE SOURCE DE CHALEUR, N'EST PAS DESTINÉ À ÊTRE UTILISÉ COMME UN APPAREIL DE CHAUFFAGE, NE CONVIENT PAS AUX COMBUSTIBLES SOLIDES.

FOR USE WITH GLASS DOORS CERTIFIED WITH THIS APPLIANCE ONLY.
POUR UTILISATION UNIQUEMENT AVEC LES PORTES EN VERRE CERTIFIÉES AVEC L'APPAREIL.

For natural gas when equipped with No. XX drill size orifice. For propane when equipped with No. XX drill size orifice. Conviert au gaz naturel quand l'appareil est muni d'un injecteur de diamètre no. XX. Conviert au propane quand l'appareil est muni d'un injecteur de diamètre no. XX. Do not add any material to the appliance which will come in contact with the flames, other than that supplied by the manufacturer with the appliance. N'ajoutez pas à cet appareil aucun matériau devant entrer en contact avec les flammes autre que celui qui est fourni avec cet appareil par le fabricant. The appliance must be vented using the appropriate Napoleon vent kits. See installation manual for venting specifications. Proper reinstallation and resealing is necessary after servicing the vent or intake system. L'appareil doit être ventilé à l'aide de l'ensemble d'évacuation propre à Napoleon. Réviser au manuel d'installation pour les spécifications d'évacuation. Il est nécessaire de bien réinstaller et recaler l'évacuation après avoir effectué l'entretien du système de prise d'air.

Serial Number / N° de Série: XXXX W385-XXXX

WOLF STEEL LTD. 24 Napoleon Road, Barrie, ON L4M 0G6 Canada

This illustration is for reference only. Refer to the rating plate on the appliance for accurate information.

NOTE: The rating plate must remain with the appliance at all times. It must not be removed.

1.2 mobile home installation

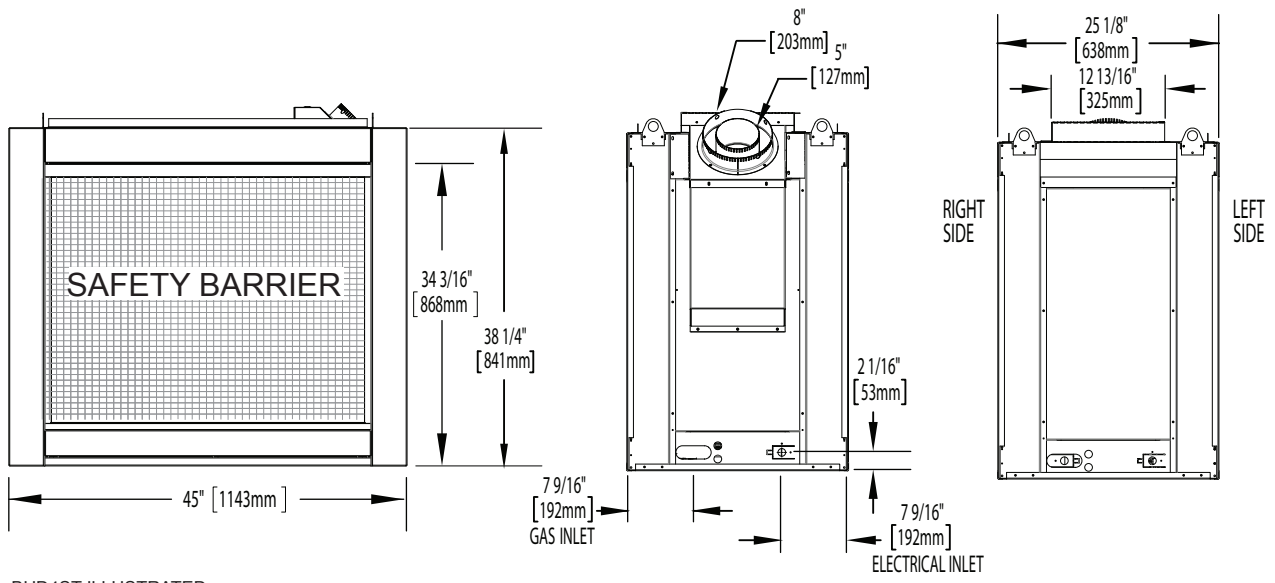
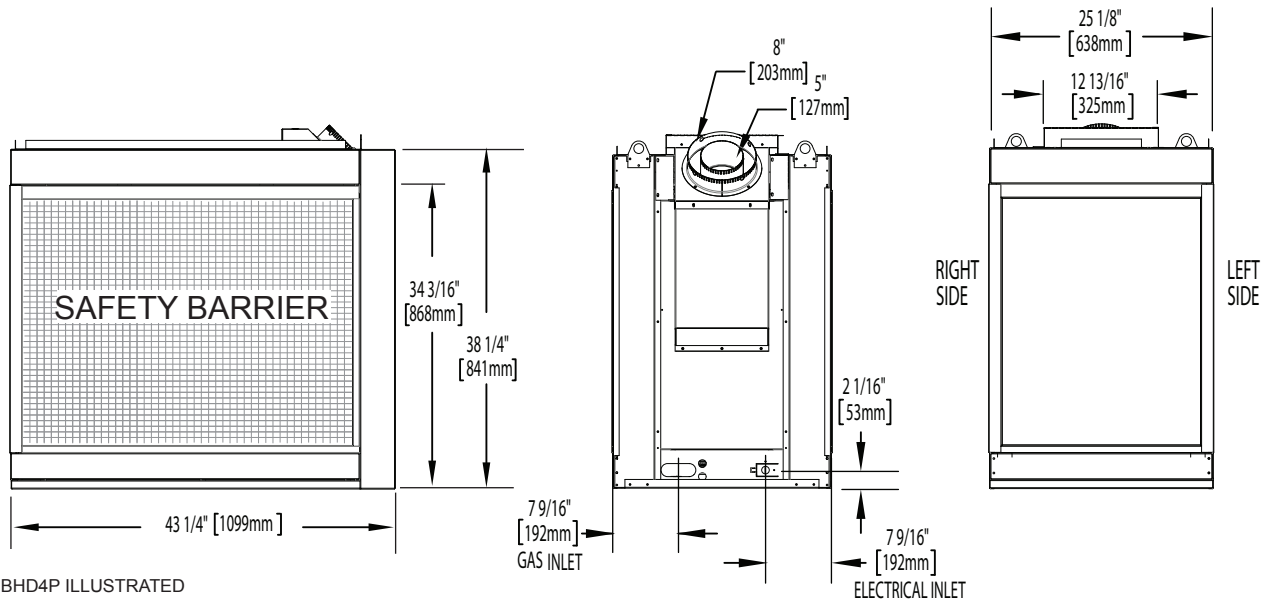
This appliance must be installed in accordance with the manufacturer's instructions and the Manufactured Home Construction and Safety Standard, Title 24 CFR, Part 3280, in the United States or the Mobile Home Standard, CAN/CSA Z240 MH Series, in Canada. This appliance is only for use with the type(s) of gas indicated on the rating plate.

This mobile/manufactured home listed appliance comes factory equipped with a means to secure the appliance. Built in appliances are equipped with 1/4" (6.4mm) diameter holes located in the front left and right corners of the base. Use appropriate fasteners, inserted through the holes in the base to secure. For free standing products contact your local authorized dealer / distributor for the appropriate securing kit. For mobile home installations, the appliance must be fastened in place. It is recommended that the appliance be secured in all installations. Always turn off the pilot and the fuel supply at the source, prior to moving the mobile home. After moving the mobile home and prior to lighting the appliance, ensure that the logs are positioned correctly.

This appliance is certified to be installed in an aftermarket permanently located, manufactured (mobile) home, where not prohibited by local codes. This appliance is only for use with the type of gas indicated on the rating plate. This appliance is not convertible for use with other gases, unless a certified kit is used.

Conversion Kits

This appliance is field convertible between Natural Gas (NG) and Propane (P). To convert from one gas to another, consult your Authorized dealer/distributor.



3.0 minimum venting requirements

WARNING

- Risk of fire. Maintain specified air space clearances to vent pipe and appliance.
- The vent system must be supported every 3'(0.9m) for both vertical and horizontal runs. Use support ring assembly W010-0067 or equivalent non-combustible strapping to maintain the minimum clearance to combustibles for both vertical and horizontal runs. Spacers are attached to the inner pipe at predetermined intervals to maintain an even air gap to the outer pipe. This gap is required for safe operation. A spacer is required at the start, middle, and end of each elbow to ensure this gap is maintained. These spaces must not be removed.

This appliance uses a 5" (127mm) exhaust / 8" (203.2mm) air intake vent pipe system. Refer to the section applicable to your installation.

For safe and proper operation of the appliance follow the venting instructions exactly. Deviation from the minimum vertical vent length can create difficulty in burner start-up and/or carboning. Under extreme vent configurations, allow several minutes (5-15) for the flame to stabilize after ignition. Although not a requirement, it is recommended for vent lengths that pass through unheated spaces (attics, garages, crawl spaces) be insulated with the insulation wrapped in a protective sleeve to minimize condensation. Provide a means for visually checking the vent connection to the appliance after the appliance is installed. Use a firestop, vent pipe shield or attic insulation shield when penetrating interior walls, floor or ceiling.

The vent terminal may be painted with a high temperature paint to match exterior colours. Use an outdoor paint suitable for 400°F (200°C). Application and performance of paint is the consumer's responsibility. Spot testing is recommended.

note:

If for any reason the vent air intake system is disassembled; reinstall per the instructions provided for the initial installation.

This appliance must be installed with a continuous connection of exhaust and air intake vent pipes. Utilizing alternate constructions, such as a chimney as part of the vent system, is not permitted.

You may reduce the appliance from 5/8" venting to 4/7" venting for horizontal and vertical rise applications. Reducing must be done right off of the appliance and a new firestop spacer (W010-3440) will be required.

Use only Wolf Steel, Simpson Dura-Vent, Selkirk Direct Temp, American Metal Amerivent or Metal-Fab venting components. Minimum and maximum vent lengths, for both horizontal and vertical installations, clearances from vent pipes to combustibles and air terminal locations as set out in this manual apply to all vent systems and must be adhered to. For Simpson Dura-Vent, Selkirk Direct Temp, American Metal Amerivent and Metal-Fab, follow the installation procedure provided with the venting components. A starter adaptor must be used with the following vent systems and may be purchased from the corresponding supplier:

Venting System	Starter Adapter Part Number		Supplier	Website
Duravent	W175-0170	W175-0053	Wolf Steel	www.duravent.com
Amerivent	5DSC-N2	4DSC-N2	American Metal	www.americanmetalproducts.com
Direct Temp	5DT-AAN	4DT-AAN	Selkirk	www.selkirkcorp.com
SureSeal	5DNA	4DNA	Metal-Fab	www.mtlfab.com

For vent systems that provide seals on the inner exhaust flue, only the outer air intake joints must be sealed using a red high temperature silicone (RTV). This same sealant may be used on both the inner exhaust and outer intake vent pipe joints of all other approved vent systems except for the exhaust vent pipe connection to the appliance flue collar which must be sealed using the black high temperature sealant Mill Pac.

When using Wolf Steel venting components, use only approved Wolf Steel rigid / flexible components with the following termination kits: wall terminal kit **GD422R-2**, or 1/12 to 7/12 pitch roof terminal kit **GD410**, 8/12 to 12/12 roof terminal kit **GD411**, flat roof terminal kit **GD412** or periscope kit **GD401** (for wall penetration below grade). With flexible venting, in conjunction with the various terminations, use either the 5 foot (1.5m) vent kit **GD420** or the 10 foot (3.1m) vent kit **GD430**.

For optimum flame appearance and appliance performance, keep the vent length and number of elbows to a minimum.

For optimum flame appearance and appliance performance, keep the vent length and number of elbows to a minimum.

The air terminal must remain unobstructed at all times. Examine the air terminal at least once a year to verify that it is unobstructed and undamaged.

Rigid and flexible venting systems must not be combined. Different venting manufacturer components must not be combined.

These vent kits allow for either horizontal or vertical venting of the appliance. The maximum allowable horizontal run is 20 feet (6.1m). The maximum allowable vertical vent length is 40 feet (12.2m). The maximum number of vent connections is two horizontally or three vertically (excluding the appliance and the air terminal connections) when using flexible venting.

Horizontal runs may have a 0" (0mm) rise per foot/meter however for optimum performance it is recommended that all horizontal runs have a minimum 1/4" (21mm) rise per foot/meter using flexible venting. For safe and proper operation of the appliance, follow the venting instructions exactly.

A terminal shall not terminate directly above a sidewalk or paved driveway which is located between two single family dwellings and serves both dwellings. Local codes or regulations may require different clearances.

Do not allow the inside liner to bunch up on horizontal or vertical runs and elbows. Keep it pulled tight. A 1/4" (31.8mm) air gap all around between the inner liner and outer liner is required for safe operation.

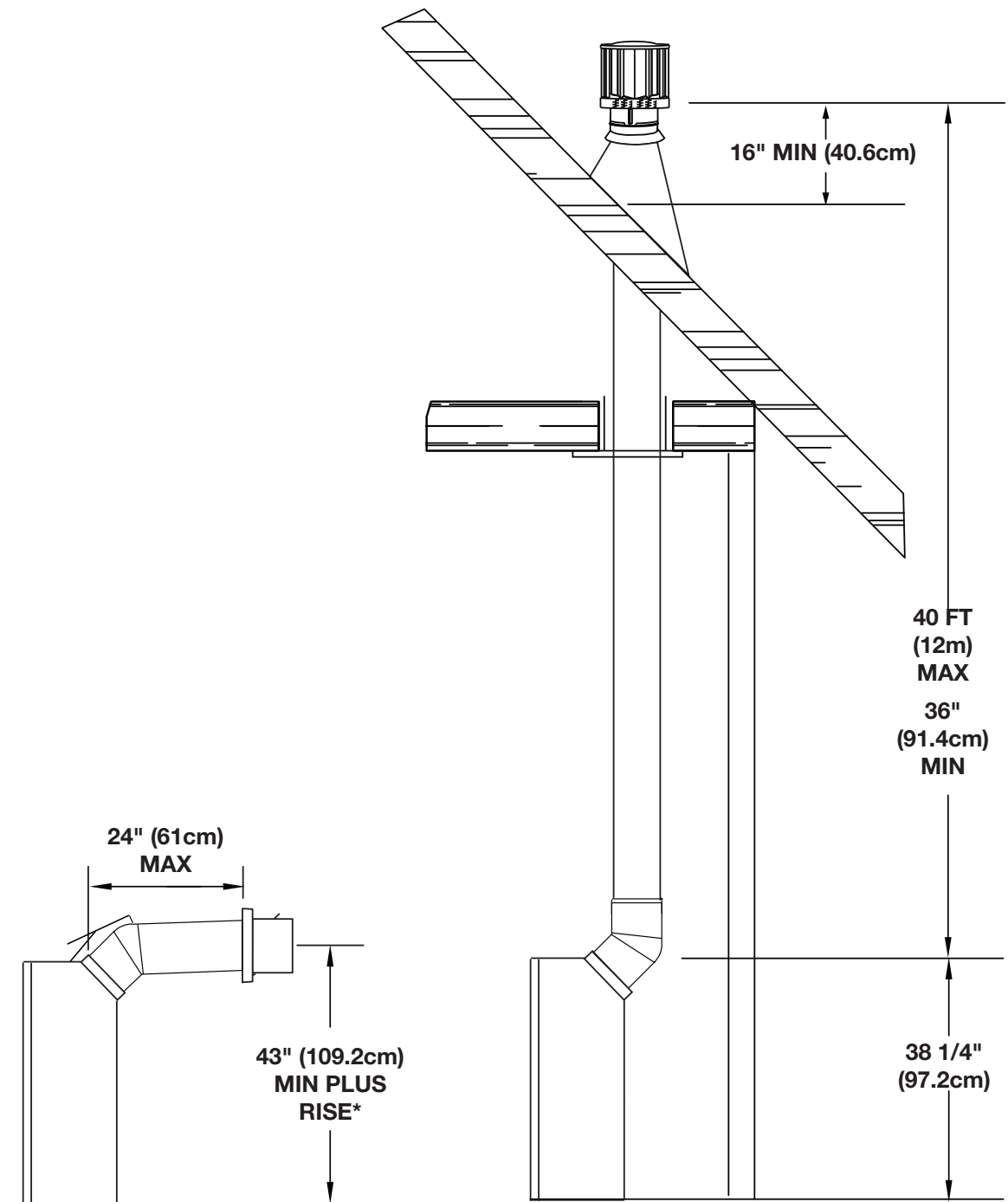
FOR 4" / 7" (USE REDUCER KIT A4758AK TO TRANSITION FROM 5" / 8" TO 4" / 7" VENTING)

When using Wolf Steel 4"/7" venting components, use only approved Wolf Steel rigid / flexible components with the following termination kits: wall terminal kit **GD222R**, or 1/12 to 7/12 pitch roof terminal kit **GD110**, 8/12 to 12/12 roof terminal kit **GD111**, flat roof terminal kit **GD112** or periscope kit **GD201** (for wall penetration below grade). With flexible venting, in conjunction with the various terminations, use either the 5 foot (1.5m) vent kit **GD220** or the 10 foot (3.1m) vent kit **GD330**.

When using Wolf Steel 5"/8" venting components, use only approved Wolf Steel rigid / flexible components with the following termination kits: wall terminal kit **GD422R-1**, or 1/12 to 7/12 pitch roof terminal kit **GD410**, 8/12 to 12/12 roof terminal kit **GD411**, flat roof terminal kit **GD412** or periscope kit **GD401** (for wall penetration below grade). With flexible venting, in conjunction with the various terminations, use either the 5 foot (1.5m) vent kit **GD420** or the 10 foot (3.1m) vent kit **GD430**.

minimum venting requirements

3.1 typical vent installations



When venting, the horizontal run must be kept to a maximum of 20 feet (6m). If a 20 foot (6m) horizontal run is required, the appliance must have a minimum vertical rise off the appliance of 57" (144.8cm).

When terminating vertically, the vertical rise is a minimum 36" (91.4cm) and a maximum 40 feet (12m) above the appliance.

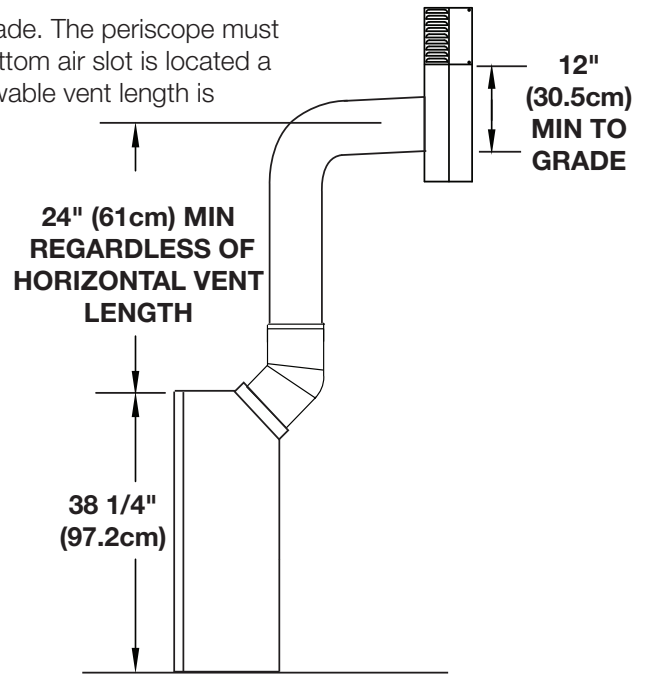
On all horizontal vent runs, ensure that the vent pipe does not slope downward.

* See "venting" section.

3.2 special vent installations

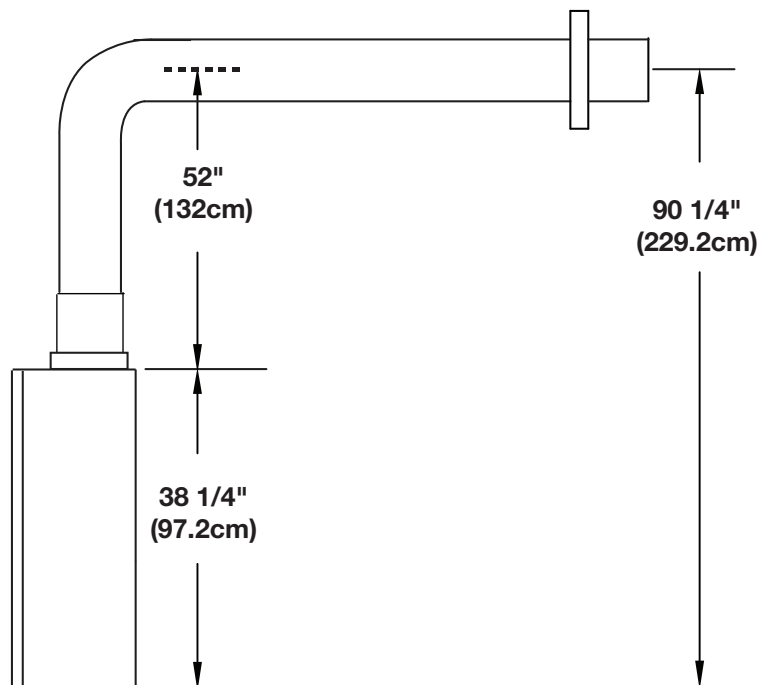
3.2.1 periscope termination

Use the periscope kit to locate the air termination above grade. The periscope must be installed so that when final grading is completed, the bottom air slot is located a minimum of 12" (305mm) above grade. The maximum allowable vent length is 10' (3.1m) for a fireplace and 8' (2.4m) for a stove.



3.2.2 reduced vent clearance to combustibles

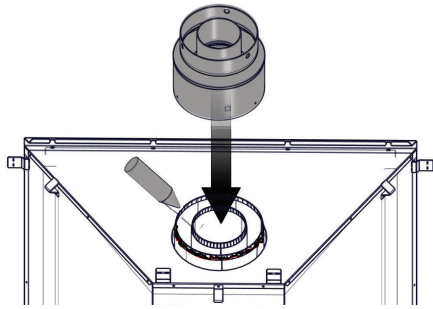
The minimum clearances around the horizontal vent pipe to the combustible material may be reduced from 3" (76.2mm) / 2" (50.8mm) to 1" (25.4mm) in installations with a minimum of 52" (132cm) vertical rise made immediately off the appliance collar and where the vent has been reduced to a 4/7" from 5/8" at the appliance.



minimum venting requirements

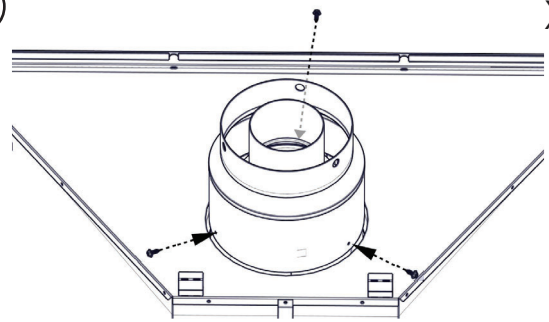
3.3 converting from 5/8" to 4/7" venting

1



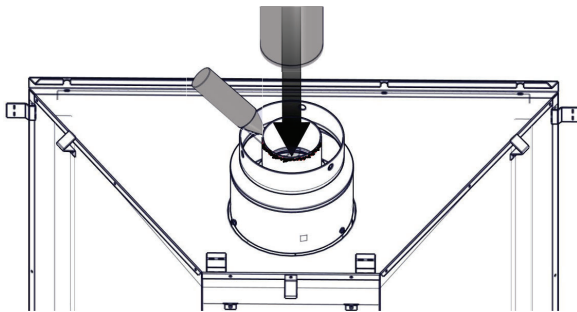
Use Mill Pac to seal adapter to the appliance collars.

2



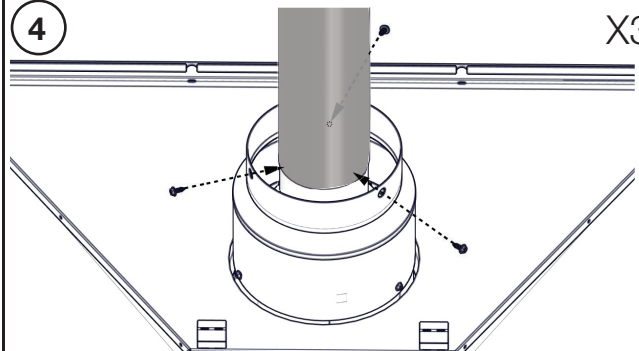
X3

3



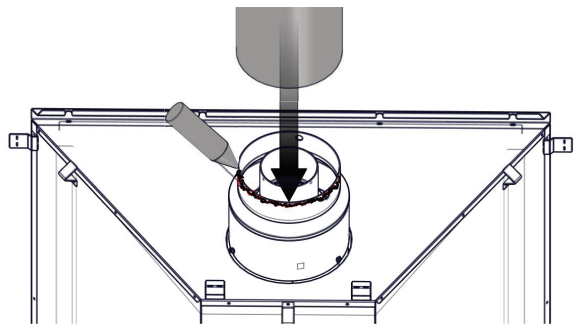
Use Mill Pac to seal adapter to the appliance collars.

4



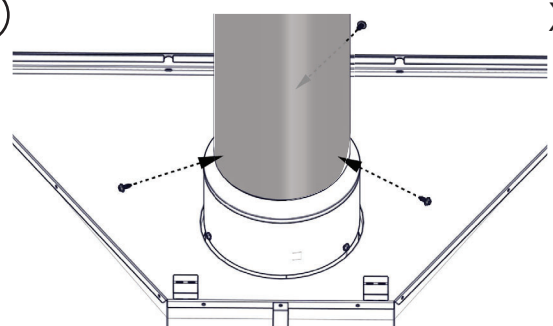
X3

5



Use red RTV silicone sealant to seal adapter to the appliance collars.

6

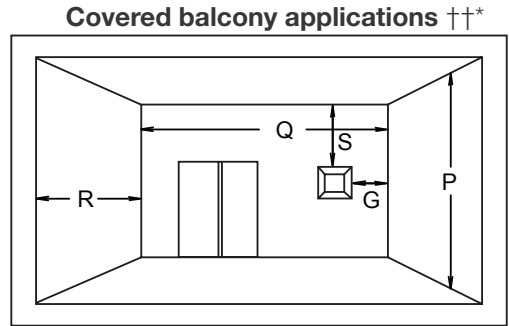
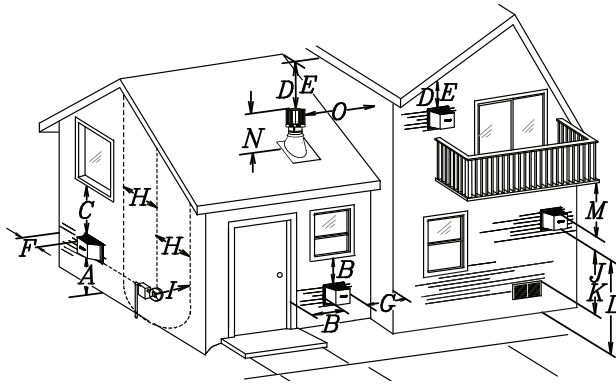


X3

note:

Depending on your adaptor kit, the 4/7" venting components may not come pre-assembled.

3.4 vent terminal clearances



$Q_{MIN} = 3 \text{ feet (0.9m)}$ $R_{MAX} = 2 \times Q_{ACTUAL}$ $R_{MAX} \leq 15 \text{ feet (4.6m)}$

note:
Wall terminals are for illustration purposes only. Size and shapes may vary.

INSTALLATIONS			
	CANADA	U.S.A.	
A	12" (30.5cm)	12" (30.5cm)	Clearance above grade, veranda porch, deck or balcony.
B	12" (30.5cm) ^Δ	9" (229mm) ^Δ	Clearance to windows or doors that open.
C	12" (30.5cm)*	12" (30.5cm)*	Clearance to permanently closed windows.
D	18" (45.7cm)**	18" (45.7cm)**	Vertical clearance to ventilated soffits located above the terminal within a horizontal distance of 2' (0.6m) from the center line of the terminal.
E	12" (30.5cm)**	12" (30.5cm)**	Clearance to unventilated soffit.
F	0" (0mm)	0" (0mm)	Clearance to an outside corner wall.
G	0" (0mm)***	0" (0mm)***	Clearance to an inside non -combustible corner wall or protruding non -combustible obstructions (chimney, etc.).
	2" (51mm)***	2" (51mm)***	Clearance to an inside combustible corner wall or protruding combustible obstructions (vent chase, etc.).
H	3' (0.9m)	3' (0.9m)****	Clearance to each side of the center line extended above the meter / regulator assembly to a maximum vertical distance of 15' (4.6m).
I	3' (0.9m)	3' (0.9m)****	Clearance to a service regulator vent outlet.
J	12" (30.5cm)	9" (229mm)	Clearance to a non-mechanical air supply inlet to the building or a combustion air inlet to any other appliance.
K	6' (1.8m)	3' (0.9m) †	Clearance to a mechanical air supply inlet.
L	7' (2.1m) ‡	7' (2.1m) ****	Clearance above a paved sidewalk or paved driveway located on public property.
M	12" (30.5cm)††	12" (30.5cm)****	Clearance under a veranda, porch or deck.
N	16" (40.6cm)	16" (40.6cm)	Clearance above the roof.
O	2' (0.6m)†*	2' (0.6m) †*	Clearance from an adjacent wall including neighbouring buildings.
P	8' (2.4m)	8' (2.4m)	Roof must be non -combustible without openings.
Q	3' (0.9m)	3' (0.9m)	See chart for wider wall dimensions.
R	6' (1.8m)	6' (1.8m)	See chart for deeper wall dimensions. The terminal shall not be installed on any wall that has an opening between the terminal and the open side of the structure.
S	12" (30.5cm)	12" (30.5cm)	Clearance under a covered balcony

Δ The terminal shall not be located less than 6 feet under a window that opens on a horizontal plane in a structure with three walls and a roof.

* Recommended to prevent condensation on windows and thermal breakage

** It is recommended to use a heat shield and to maximize the distance to vinyl clad soffits.

*** The periscope requires a minimum 18 inches clearance from an inside corner.

**** This is a recommended distance. For additional requirements, check local codes.

† 3 feet above if within 10 feet horizontally.

‡ A vent shall not terminate where it may cause hazardous frost or ice accumulations on adjacent property surfaces.

†† Permitted only if the veranda, porch, or deck is fully open on a minimum of two sides beneath the floor.

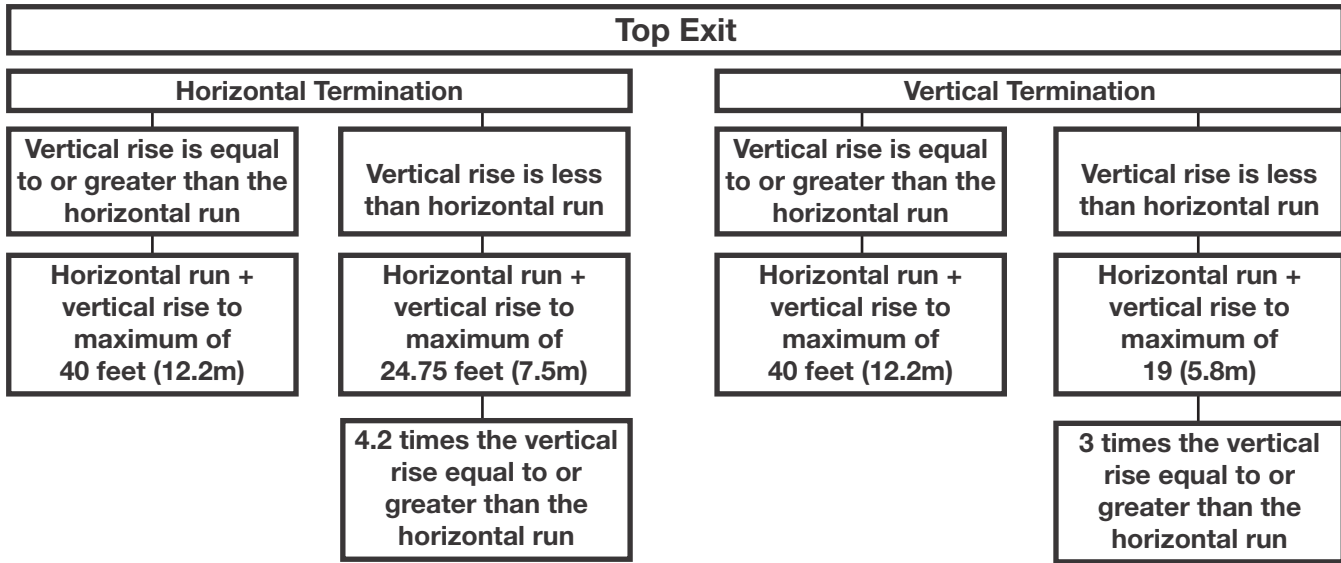
†* Recommended to prevent recirculation of exhaust products. For additional requirements, check local codes.

††* Permitted only if the balcony is fully open on a minimum of one side.

note:
Clearances are to be in accordance with local installation codes and the requirements of the gas supplier. In their absence, clearances are to be as listed above and are based on national codes.

minimum venting requirements

3.5 vent application flow chart



3.6 definitions

For the following symbols used in the venting calculations and examples are:

> - greater than

≥ - equal to or greater than

< - less than

≤ - equal to or less than

H_T - total of both horizontal vent lengths (H_R) and offsets (H_O) in feet

H_R - combined horizontal vent lengths in feet

H_O - offset factor: .03 (total degrees of offset - 90°*) in feet

H_O - offset factor: .03 (total degrees of offset - 135°*) in feet

V_T - combined vertical vent lengths in feet

3.7 elbow vent length values

	Feet	Inches	Millimeters
1°	0.03	0.5	12.7
15°	0.45	6.0	152.4
30°	0.9	11.0	279.4
45°	1.35	16.0	406.4
90°*	2.7	32.0	812.8

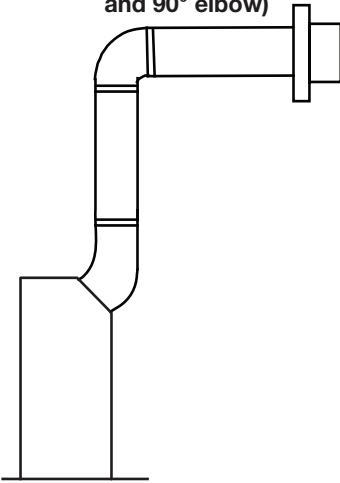
* The first 90° offset has a zero value and is shown in the formula as - 90°

* The first 45° and 90° offset have a zero value and is shown in the formula as -45° and -90° respectively or -135° when combined (**for 45° exit only**).

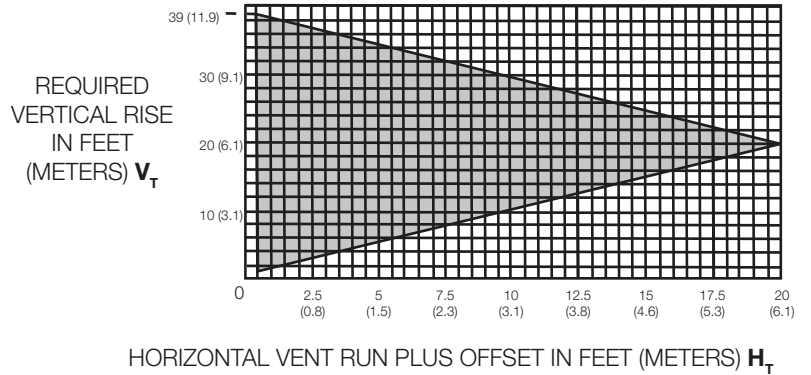
3.8 horizontal termination

$(H_T) \leq (V_T)$

Simple venting configuration (only one 45° and 90° elbow)



See graph to determine the required vertical rise V_T for the required horizontal run H_T .



HORIZONTAL VENT RUN PLUS OFFSET IN FEET (METERS) H_T

The shaded area within the lines represents acceptable values for H_T and V_T

For vent configurations requiring more than two 90° elbows, the following formulas apply:

Formula 1: $H_T \leq V_T$

Formula 2: $H_T + V_T \leq 40$ feet (12.2m)

Example:

$V_1 = 8$ FT (2.4m)

$V_T = V_1 = 8$ FT (2.4m)

$H_1 = 2.5$ FT (0.8m)

$H_2 = 2$ FT (0.6m)

$H_R = H_1 + H_2 = 2.5\text{FT (0.8m)} + 2\text{FT (0.6m)} = 4.5\text{FT (1.4m)}$

$H_o = .03$ (one 45° elbows + two 90° elbows - 135°) = .03 (225 - 135°) = 2.7 FT (0.8m)

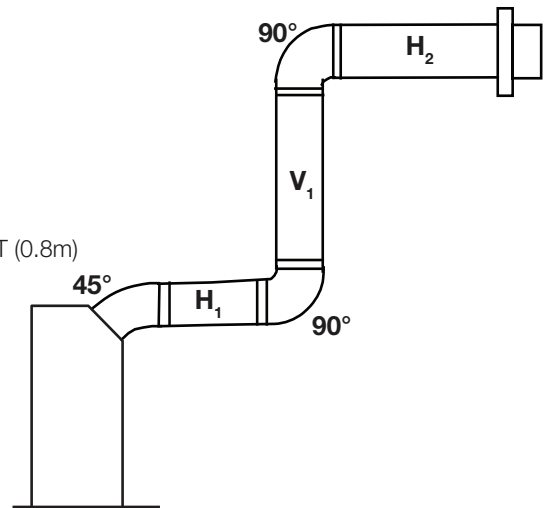
$H_T = H_R + H_o = 4.5\text{FT (1.4m)} + 2.7\text{FT (0.8m)} = 7.2\text{FT (2.2m)}$

$H_T + V_T = 7.2\text{FT (2.2m)} + 8\text{FT (2.4m)} = 15.2$ FT (4.6m)

Formula 1: $H_T \leq V_T$
7.2 FT (2.2m) \leq 8 FT (2.4m)

Formula 2: $H_T + V_T \leq 40$ FT (12.2m)
15.2 FT (4.6m) \leq 40 FT (12.2m)

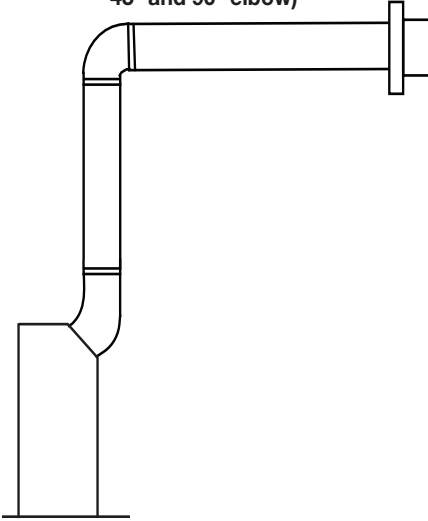
Since both formulas are met, this vent configuration is acceptable.



minimum venting requirements

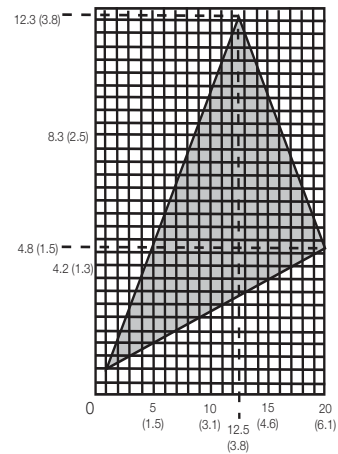
$$(H_T) > (V_T)$$

Simple venting configuration (only one 45° and 90° elbow)



See graph to determine the required vertical rise V_T for the required horizontal run H_T .

REQUIRED VERTICAL RISE IN FEET (METERS) V_T



HORIZONTAL VENT RUN PLUS OFFSET IN FEET (METERS) H_T

The shaded area within the lines represents acceptable values for H_T and V_T

For vent configurations requiring more than two 90° elbows, the following formulas apply:

Formula 1: $H_T \leq 4.2V_T$

Formula 2: $H_T + V_T \leq 24.75$ feet (7.5m)

Example:

$$V_1 = 4 \text{ FT (1.2m)}$$

$$V_2 = 1.5 \text{ FT (0.5m)}$$

$$V_T = V_1 + V_2 = 4\text{FT (1.2m)} + 1.5\text{FT (0.5m)} = 5.5 \text{ FT (1.7m)}$$

$$H_1 = 2 \text{ FT (0.6m)}$$

$$H_2 = 1 \text{ FT (0.3m)}$$

$$H_3 = 1 \text{ FT (0.3m)}$$

$$H_4 = 1.5 \text{ FT (0.5m)}$$

$$H_R = H_1 + H_2 + H_3 + H_4 = 2\text{FT(0.6m)} + 1\text{FT(0.3m)} + 1\text{FT(0.3m)} + 1.5\text{FT(0.5m)} = 5.5 \text{ FT (1.7m)}$$

$$H_o = .03 \text{ (one } 45^\circ \text{ elbow + four } 90^\circ \text{ elbows - } 135^\circ)$$

$$= .03 (405 - 135^\circ) = 8.1 \text{ FT (2.5m)}$$

$$H_T = H_R + H_o = 5.5 \text{ FT (1.7m)} + 8.1 \text{ FT (2.5m)} = 13.6 \text{ FT (4.2m)}$$

$$H_T + V_T = 13.6 \text{ FT (4.2m)} + 5.5 \text{ FT (1.7m)} = 19.1 \text{ FT (5.8m)}$$

Formula 1: $H_T \leq 4.2V_T$ (1.3m) VT

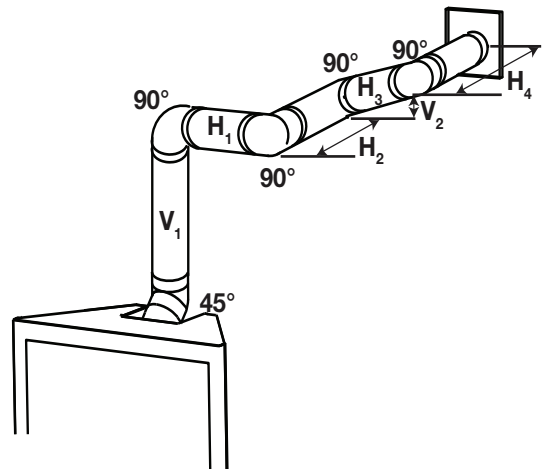
$$4.2V_T \text{ (1.3m) VT} = 4.2 \text{ FT (1.3m)} \times 5.5 \text{ FT (1.7m)} = 23.1 \text{ FT (7m)}$$

$$13.6 \text{ FT (4.2m)} < 23.1 \text{ FT (7m)}$$

Formula 2: $H_T + V_T \leq 24.75$ FT (7.5m)

$$19.1 \text{ FT (5.8m)} < 24.75 \text{ FT (7.5m)}$$

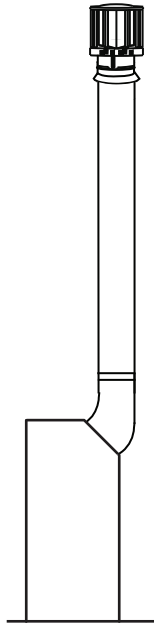
Since both formulas are met, this vent configuration is acceptable.



3.9 vertical termination

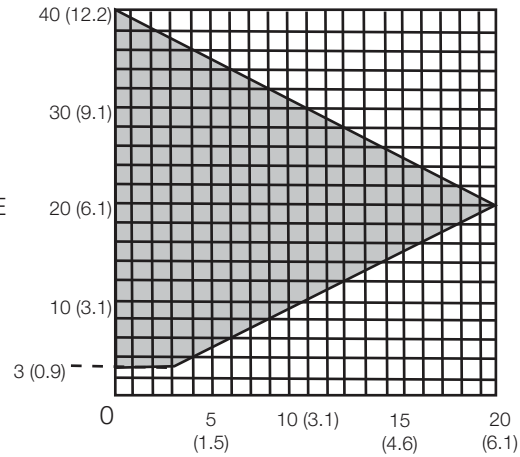
$(H_T) \leq (V_T)$

Simple venting configurations.



See graph to determine the required vertical rise V_T for the required horizontal run H_T .

REQUIRED VERTICAL RISE IN FEET (METERS) V_T



HORIZONTAL VENT RUN PLUS OFFSET IN FEET (METERS) H_T

The shaded area within the lines represents acceptable values for H_T and V_T

For vent configurations requiring more than one 45° and one 90° elbow, the following formulas apply:

Formula 1: $H_T \leq V_T$

Formula 2: $H_T + V_T \leq 40$ feet (12.2m)

Example:

$V_1 = 5$ FT (1.5m)

$V_2 = 10$ FT (3.1m)

$V_T = V_1 + V_2 = 5$ FT (1.5m) + 10 FT (3.1m) = 15 FT (4.6m)

$H_1 = 3$ FT (0.9m)

$H_2 = 2.5$ FT (0.8m)

$H_R = H_1 + H_2 = 3$ FT (0.9m) + 2.5 FT (0.8m) = 5.5 FT (1.7m)

$H_O = .03$ (one 45° + three 90° elbows - 135°)

= .03 (45 + 270 - 135°) = 5.4 FT (1.6m)

$H_T = H_R + H_O = 5.5$ FT (1.7m) + 5.4 FT (1.6m) = 10.9 FT (3.3m)

$H_T + V_T = 10.9$ FT (3.3m) + 15 FT (4.6m) = 25.9 FT (7.9m)

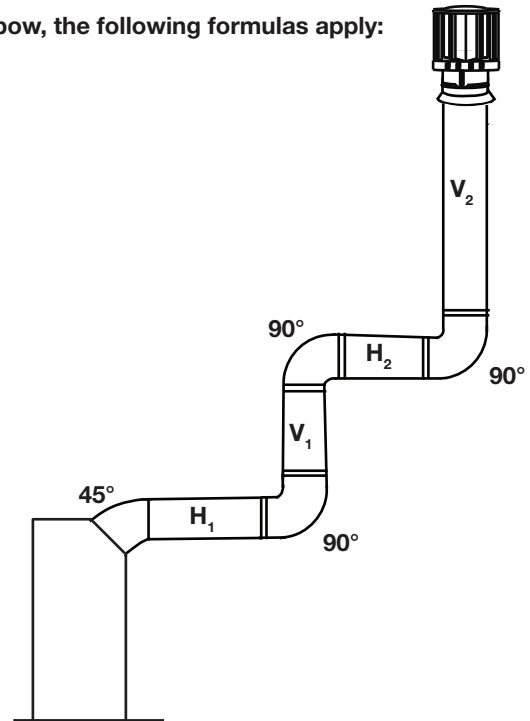
Formula 1: $H_T \leq V_T$

10.9 FT (3.3m) ≤ 15 (4.6m)

Formula 2: $H_T + V_T \leq 40$ FT (12.2m)

25.9 FT (7.9m) ≤ 40 (12.2m)

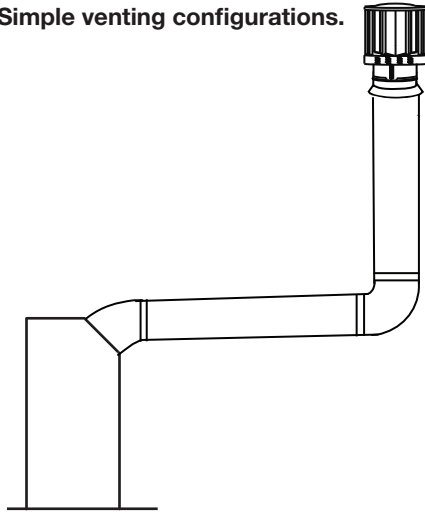
Since both formulas are met, this vent configuration is acceptable.



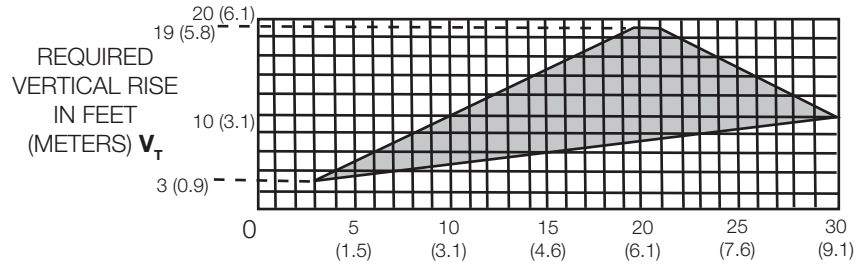
minimum venting requirements

$$(H_T) > (V_T)$$

Simple venting configurations.



See graph to determine the required vertical rise V_T for the required horizontal run H_T .



HORIZONTAL VENT RUN PLUS OFFSET IN FEET (METERS) H_T

The shaded area within the lines represents acceptable values for H_T and V_T

For vent configurations requiring more than one 45° and one 90° elbow, the following formulas apply:

Formula 1: $H_T \leq 3V_T$

Formula 2: $H_T + V_T \leq 40$ feet (12.2m)

Example:

$$V_1 = 1 \text{ FT (0.3m)}$$

$$V_2 = 1.5 \text{ FT (0.5m)}$$

$$V_T = V_1 + V_2 = 1 \text{ FT (0.3m)} + 1.5 \text{ FT (0.5m)} = 2.5 \text{ FT (0.8m)}$$

$$H_1 = 6 \text{ FT (1.8m)}$$

$$H_2 = 2 \text{ FT (0.6m)}$$

$$H_R = H_1 + H_2 = 6 \text{ FT (1.8m)} + 2 \text{ FT (0.6m)} = 8 \text{ FT (2.4m)}$$

$$H_0 = .03 \text{ (one } 45^\circ \text{ + three } 90^\circ \text{ elbows - } 135^\circ)$$

$$= .03 (45 + 270 - 135^\circ) = 5.4 \text{ FT (1.6m)}$$

$$H_T = H_R + H_0 = 8 \text{ FT (2.4m)} + 5.4 \text{ FT (1.6m)} = 13.4 \text{ FT (4.1m)}$$

$$H_T + V_T = 13.4 \text{ FT (4.1m)} + 2.5 \text{ FT (0.8m)} = 15.9 \text{ FT (4.8m)}$$

Formula 1: $H_T \leq 3V_T$

$$3V_T = 3 \text{ FT (0.9m)} \times 2.5 \text{ FT (0.8m)} = 7.5 \text{ FT (2.3m)}$$

$$13.4 \text{ FT (4.1m)} > 7.5 \text{ FT (2.3m)}$$

Since this formula is not met, this vent configuration is **unacceptable**.

Formula 2: $H_T + V_T \leq 40$ FT (12.2m)

$$15.9 \text{ FT (4.8m)} \leq 40 \text{ FT (12.2m)}$$

Since only formula 2 is met, this vent configuration is unacceptable and a new fireplace location or vent configuration will need to be established to satisfy both formulas.

Example:

$$V_1 = 1.5 \text{ FT (0.5m)}$$

$$V_2 = 8 \text{ FT (2.4m)}$$

$$V_T = V_1 + V_2 = 1.5 \text{ FT (0.5m)} + 8 \text{ FT (2.4m)} = 9.5 \text{ FT (2.9m)}$$

$$H_1 = 1 \text{ FT (0.3m)}$$

$$H_2 = 1 \text{ FT (0.3m)}$$

$$H_3 = 10.75 \text{ FT (3.3m)}$$

$$H_R = H_1 + H_2 + H_3 = 1 \text{ FT (0.3m)} + 1 \text{ FT (0.3m)} + 10.75 \text{ FT (3.3m)} = 12.75 \text{ FT (3.9m)}$$

$$H_0 = .03 \text{ (three } 90^\circ \text{ elbows + two } 45^\circ \text{ elbows - } 135^\circ)$$

$$= .03 (270 + 90 - 135^\circ) = 6.75 \text{ FT (2.1m)}$$

$$H_T = H_R + H_0 = 12.75 \text{ FT (3.9m)} + 6.75 \text{ FT (2.1m)} = 19.5 \text{ FT (5.9m)}$$

$$H_T + V_T = 19.5 \text{ FT (5.9m)} + 9.5 \text{ FT (2.9m)} = 29 \text{ FT (8.8m)}$$

Formula 1: $H_T \leq 3V_T$

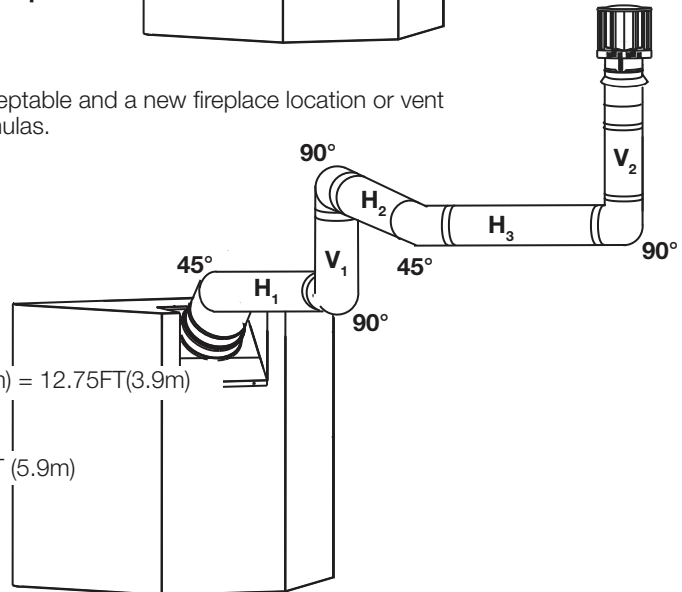
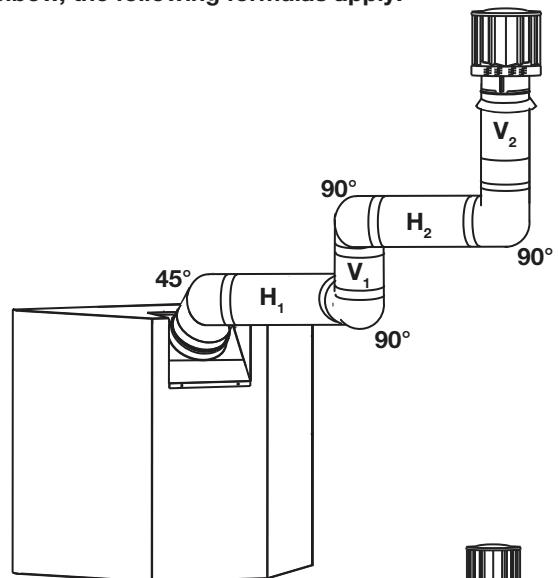
$$3V_T = 3 \times 9.5 = 28.5 \text{ FT (8.7m)}$$

$$19.5 \text{ FT (5.9m)} \leq 28.5 \text{ FT (8.7m)}$$

Formula 2: $H_T + V_T \leq 40$ FT (12.2m)

$$29 \text{ FT (8.8m)} \leq 40 \text{ FT (12.2m)}$$

Since both formulas are met, this vent configuration is acceptable.



note:

When using optional finishing accessories, the framing dimensions and finishing materials may differ from what is outlined in the section below; refer to the leaflet instructions supplied in the accessory kit for specific framing and finishing specifications.

! WARNING

- Risk of fire!
- In order to avoid the possibility of exposed insulation or vapour barrier coming in contact with the appliance body, it is recommended that the walls of the appliance enclosure be "finished" (i.e. drywall / sheetrock), as you would finish any other outside wall of a home. This will ensure that clearance to combustibles is maintained within the cavity.
- Do not notch the framing around the appliance stand offs. Failure to maintain air space clearance may cause over heating and fire. Prevent contact with sagging or loose insulation or framing and other combustible materials. Block opening into the chase to prevent entry of blown-in insulation. Make sure insulation and other materials are secured.
- When constructing the enclosure, allow for finishing material thickness to maintain clearances. Framing or finishing material closer than the minimums listed must be constructed entirely of non-combustible materials. Materials consisting entirely of steel, iron, brick, tile, concrete, slate, glass or plasters, or any combination thereof are suitable. Materials that are reported as passing ASTM E136, standard test method for behaviour of materials in a vertical tube furnace at 1382°F (750°C) and UL763 shall be considered non-combustible materials.
- Minimum clearance to combustibles must be maintained or a serious fire hazard could result.
- The appliance requires a minimum enclosure height. Measure from the appliance base.
- If steel stud framing kits with cement board are provided, or specified in the installation instructions, they must be installed.
- If specified in the installation instruction, finishing must be done using a non-combustible board, ceramic tile, marble, etc. Do **NOT** use wood or drywall. Any fire rated drywall is **not** acceptable.

It is best to frame your appliance after it is positioned and the vent system is installed.

When roughing in the appliance, raise the appliance to accommodate for the thickness of the finished floor materials, i.e. tile, carpeting and hard wood.

Maintain these minimum clearances to combustibles from appliance and vent surfaces:**Combustible Appliance framing:**

- 1/4" (6.4mm) to the sides of appliance
- 8 1/4" (210mm) to the top of appliance

Combustible Appliance finishing:

- 0" (0mm) above the appliance opening
- 50" (127cm) from bottom of appliance to enclosure top
- 62 1/4" (158.2cm) from bottom of appliance to ceiling
- 3" (76mm) to top of vent pipe*
- 2" (51mm) to sides and bottom of vent pipe*
- 0" (0mm) to the sides and top of appliance

***HORIZONTAL VENT SECTIONS:** A minimum clearance of 3" (76mm) to the top and 2" (51mm) to the sides and bottom of the vent pipe on all horizontal runs to combustibles is required, see "minimum clearance to combustible enclosures" section. Use firestop assembly W010-3210. If reduced to 4/7", use W010-3440 firestop.

note:

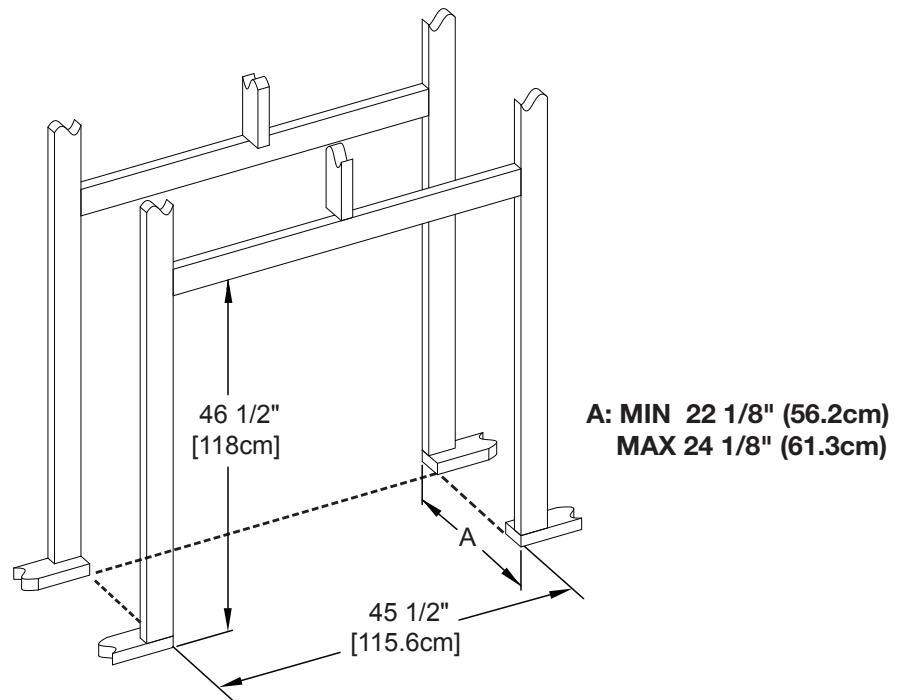
The minimum clearances around the horizontal vent pipe to combustible materials may be reduced from 3" (76.2mm) / 2" (50.8mm) to 1" (25mm) in those installations with a minimum 52" (132cm) vertical vent rise made immediately off the appliance collar and where the vent has been reduced to 4/7" from 5/8" at the appliance collars.

***VERTICAL VENT SECTIONS:** A minimum of 2" (51mm) all around the vent pipe on all vertical runs to combustibles is required. Use firestop spacer W010-3210.

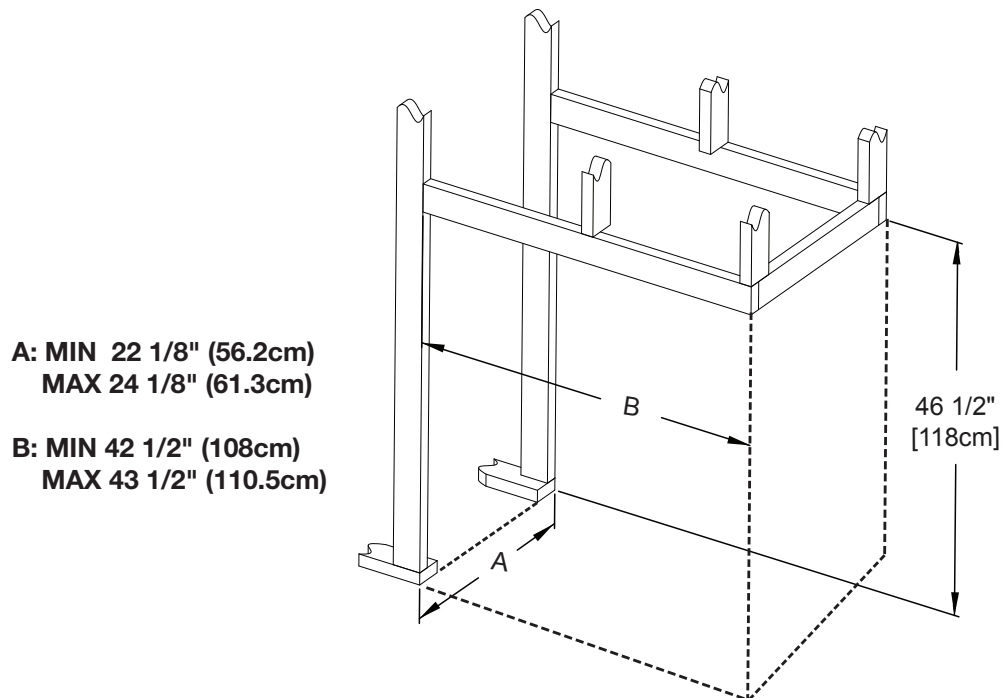
framing

4.1 framing

4.1.1 see-thru framing (BHD4ST)



4.1.2 peninsula framing (BHD4P)



note:

All framing dimensions are based on the finishing material supports position. Framing may change depending on the finishing material thickness (see "finishing support adjustment" section).

4.2 minimum clearance to combustible enclosures

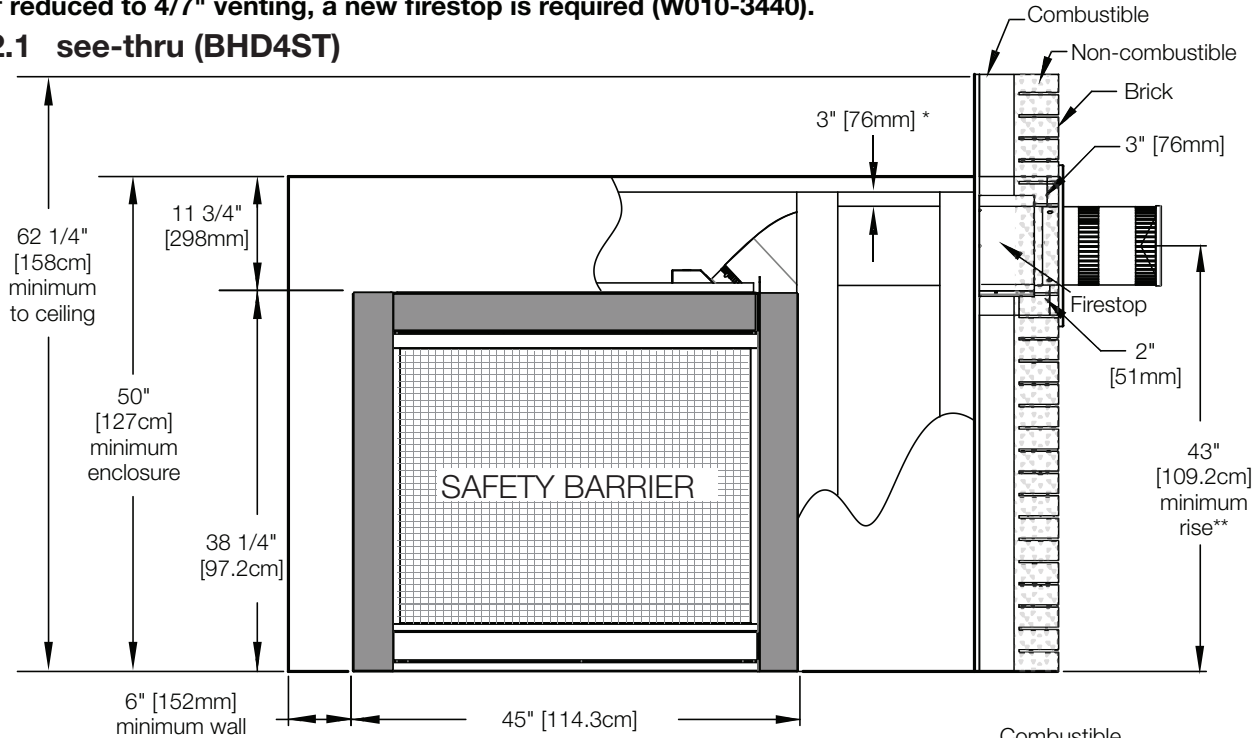
IMPORTANT: This appliance requires a minimum inside enclosure height of 50" (127cm), measured from the bottom of the appliance. For temperature requirements, this area must be left unobstructed.

note:
This appliance is not load bearing.

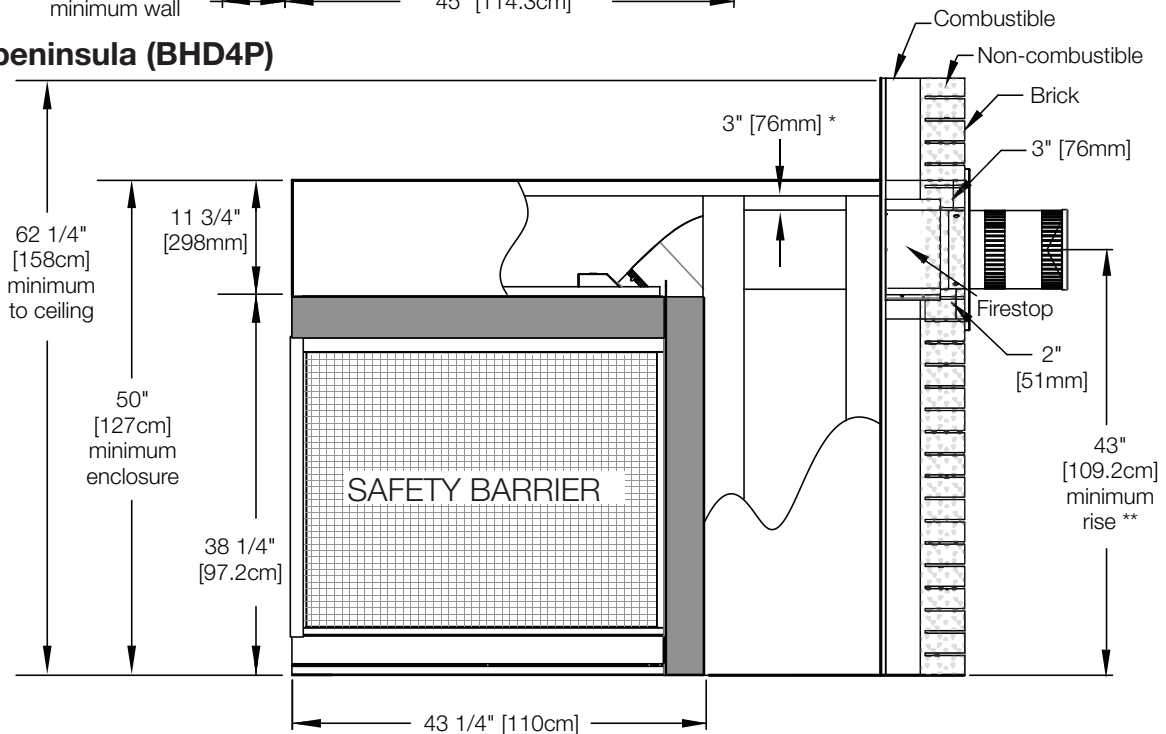
IMPORTANT: The firestop assembly provided must be used when the vent pipes pass through any walls or are terminated horizontally.

If reduced to 4/7" venting, a new firestop is required (W010-3440).

4.2.1 see-thru (BHD4ST)



4.2.2 peninsula (BHD4P)



* Within the appliance enclosure a minimum 3" (76mm) clearance between the top of the vent pipe and combustible materials is required. All other clearances within the enclosure, including where the vent pipe exits the enclosure are subject to 2" (51mm) to the sides and bottom and 3" (76mm) to the top for horizontal and 2" (51mm) for vertical.

Shaded area can be finished with non-combustible material but must not protrude past the appliance opening.

** See "venting" section.

5.0 venting installation

WARNING

- Ensure to unpack all loose materials from inside the firebox prior to connecting the gas and electrical supply
- **If your appliance is supplied with a remote, ensure the remote receiver is in the “OFF” position prior to connecting the gas and electrical supply to the appliance.**
- For safe and proper operation of the appliance, follow the venting instructions exactly.
- **The appliance exhaust flue collar must be sealed using Mill Pac.** All exhaust and intake vent pipe joints must be sealed using red RTV high temp silicone sealant (W573-0002) (not supplied) or black high temp Mill Pac (W573-0007) (not supplied).
- If using pipe clamps to connect rigid vent components, a minimum of 3 screws must also be used to ensure the connection cannot slip off.
- Do not clamp the flexible vent pipe.
- Risk of fire, explosion, or asphyxiation. Improper support of the entire venting system may allow vent to sag and separate. Use vent run supports and connect vent sections per installation instructions.
- Risk of fire, do not allow loose materials or insulation to touch the vent pipe. Remove insulation to allow for the installation of the attic shield and to maintain clearances to combustibles.
- Do not fill the space between the vent pipe and enclosure with any type of material. Do not pack insulation or combustibles between ceiling firestops. Always maintain specified clearances around venting and firestop systems. Install wall shields and firestops as specified. Failure to keep insulation or other materials away from vent pipe may cause fire.
- **For gas stoves only:** If the appliance is installed directly on carpeting, vinyl tile, or other combustible material other than wood flooring, the appliance shall be installed on a metal or wood panel extending the full width and depth, unless otherwise tested.

For optimum performance it is recommended that all horizontal runs have a minimum of 1/4" (6mm) rise per foot/meter using flexible venting. For safe and proper operation of the appliance, follow the venting instructions exactly.

For clearance to combustible materials from the vent pipe, see "minimum clearance to combustibles" section.

note:

The firestop / vent shield supplied with this appliance must be used when passing through a combustible wall or floor.

5.1 horizontal installation

! WARNING

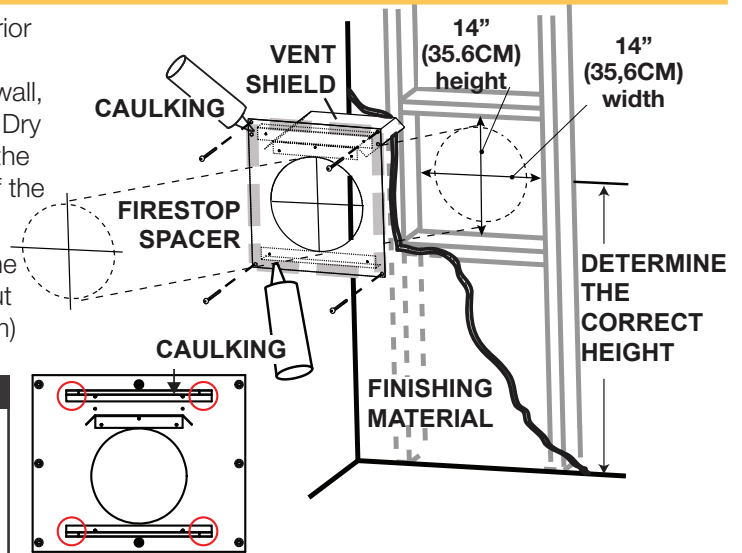
- The firestop assembly must be installed with the vent shield to the top.
- Terminals must not be recessed into a wall or siding more than the depth of the return flange of the mounting plate.

This application occurs when venting through an exterior wall. Having determined the correct height for the air terminal location, cut and frame a hole in the exterior wall, as illustrated, to accommodate the firestop assembly. Dry fit the firestop assembly before proceeding to ensure the brackets on the rear surface fit to the inside surface of the horizontal framing.

The vent shield must be installed to the full depth of the combustible wall. The length of the vent shield may cut shorter for combustible walls that less than 6" (152mm) thick.

note:

Bend the tabs for reduced side clearances or move the shield for reduced top clearances. Do not fill the air space between the firestop spacer and the exterior wall with any type of insulating material (i.e. spray foam).



note:

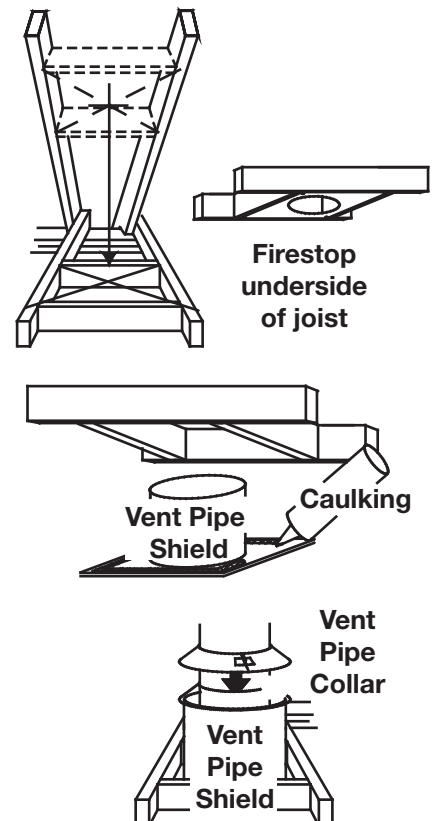
The above is for illustration purposes only. Vents do not always pass through center of frame.

- Apply a bead of caulk (not supplied) around the corner edge of the inside surface of the firestop assembly, fit the firestop assembly to the hole and secure using 4 screws.
- Once the vent pipe is installed in its final position, apply red RTV silicone (W573-0002) (not supplied) between the pipe and the firestop.

5.2 vertical installation

This application occurs when venting through a roof. Installation kits for various roof pitches are available from your authorized dealer / distributor. See the "accessories" section to order specific kits required.

- Determine the air terminal location, cut and frame a square opening, as illustrated, in the ceiling and the roof to provide the minimum 1" (25mm) clearance between the vent pipe and any combustible material. Try to center the vent pipe location midway between two joists to prevent having to cut them. Use a plumb bob to line up the center of the openings. A vent pipe shield will prevent any materials such as insulation, from filling up the 1" (25mm) air space around the pipe. Nail headers between the joist for extra support.
- Apply a bead of caulk (not supplied) to the framework or to the Wolf Steel vent pipe shield plate or equivalent (in the case of a finished ceiling), and secure over the opening in the ceiling. A firestop must be placed on the bottom of each framed opening in a roof or ceiling that the venting system passes through. Apply a bead of caulk all around and place a firestop spacer over the vent shield to restrict cold air from being drawn into the room or around the fireplace. Ensure that both spacer and shield maintain the required clearance to combustibles. Once the vent pipe is installed in its final position, apply red RTV silicone (W573-0002) (not supplied) between the pipe and the firestop assembly.
- In the attic, slide the vent pipe collar down to cover up the open end of the shield and tighten. This will prevent any materials, such as insulation, from filling up the 1" (25mm) air space around the pipe.

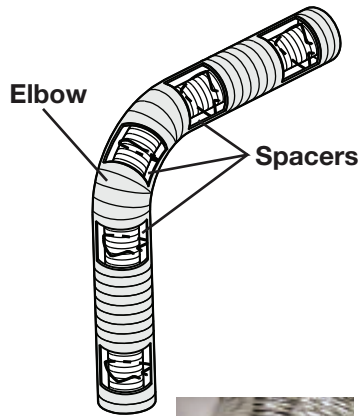


venting installation

5.3 using flexible vent components

! WARNING

- Do not allow the inner flex pipe to bunch up on horizontal or vertical runs and elbows. Keep it pulled tight.
- Spacers are attached to the inner flex pipe at predetermined intervals to maintain an even air gap to the outer flex pipe. This gap is required for safe operation. A spacer is required at the start, middle, and end of each elbow to ensure this gap is maintained. These spacers must not be removed.

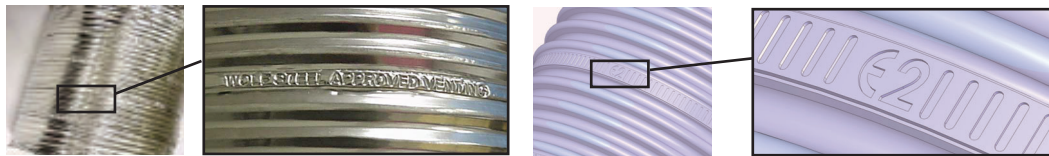


For safe and proper operation of the appliance, follow the venting instructions exactly.

The vent system must be supported approximately every 3 feet (0.9m) for both vertical and horizontal runs. Use Wolf Steel Ltd. support ring assembly or equivalent noncombustible strapping to maintain the minimum clearance to combustibles for both vertical and horizontal runs.

All inner flex pipe and outer flex pipe joints may be sealed using high temperature red RTV silicone W573-0002 (not supplied) or the high temperature sealant W573-0007 Mill Pac (not supplied). However, the high temperature sealant W573-0007 Mill Pac (not supplied) must be used on the joint connecting the inner flex pipe and the exhaust flue collar.

Use only approved flexible vent pipe kits marked:

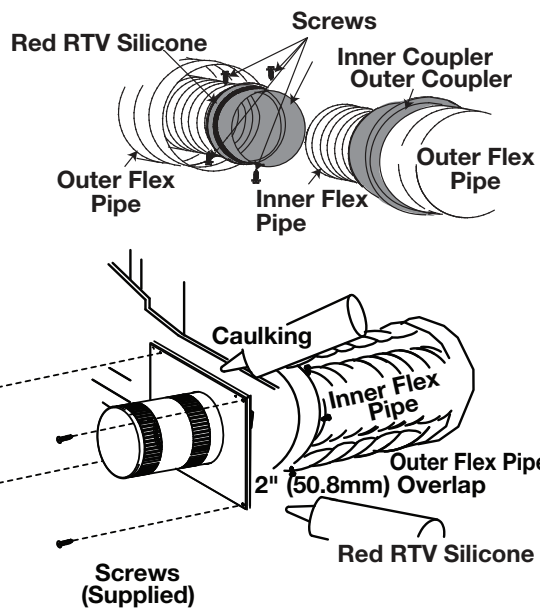


“Wolf Steel Approved Venting” or “E2” as identified by the stamp only on the flex pipes.

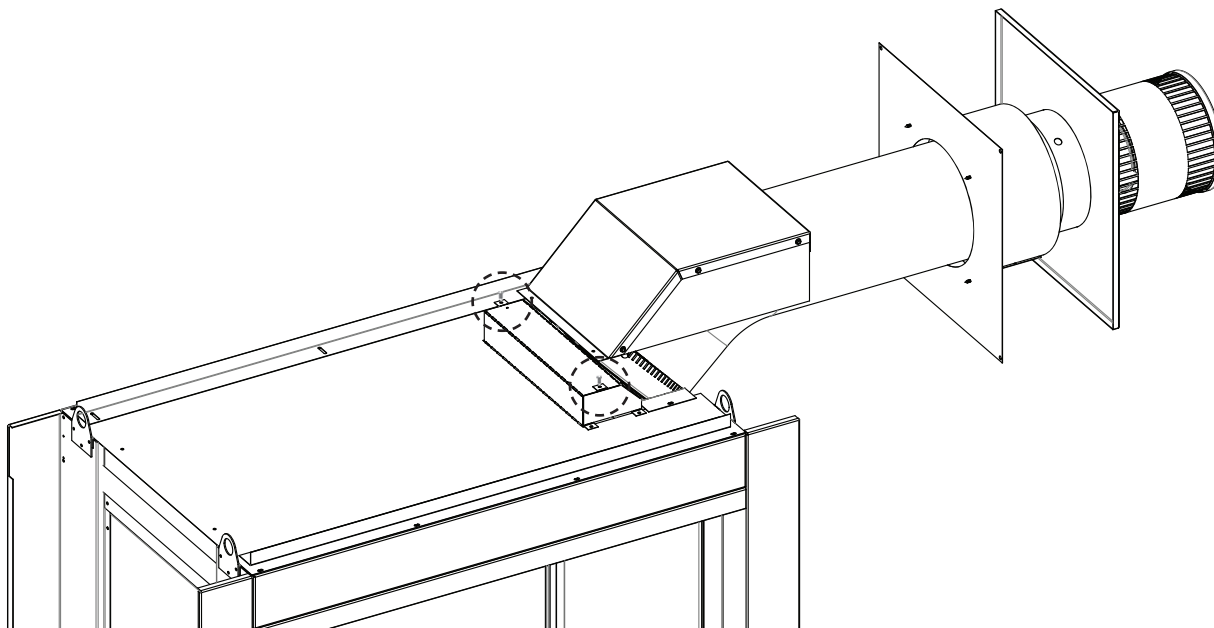
When installing using rigid vent components, follow the manufacturer’s installation and vent sealing requirements.

5.3.1 horizontal air terminal installation

- A. Stretch the inner flex pipe to the required length taking into account the additional length needed for the finished wall surface. Apply a heavy bead of the red RTV silicone (W573-0002) (not supplied) to the inner sleeve of the air terminal. Slip the vent pipe a minimum of 2" (50.8mm) over the inner sleeve of the air terminal and secure with a minimum of 3 screws.
- B. Using the outer flex pipe, slide over the outer combustion air sleeve of the air terminal and secure with a minimum of 3 screws. Seal using red RTV silicone (W573-0002) (not supplied).
- C. Insert the vent pipes through the firestop maintaining the required clearance to combustibles. Holding the air terminal (lettering in an upright, readable position), secure to the exterior wall and make weather tight by sealing with caulking (not supplied).
- D. If more vent pipe needs to be used to reach the fireplace, couple them together, as illustrated. The vent system must be supported approximately every 3 feet (0.9m) for both vertical and horizontal runs. Use non-combustible strapping to maintain the minimum clearance to combustibles.
- E. The vent shield must be installed only when terminating horizontally. Remove the two screws nearest the vent collars on the top of the appliance. Align the vent heat shield (supplied) and secure. Adjust the vent heat shield to touch the firestop spacer, as shown below.



The air terminal mounting plate may be recessed into the exterior wall or siding no greater than the depth of its return flange.



venting installation

5.3.2 vertical air terminal installation

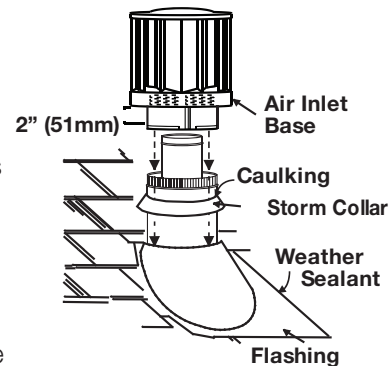
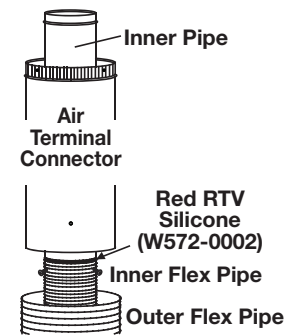
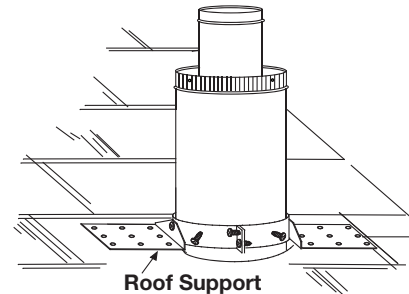
! WARNING

- Maintain a minimum 2" (51mm) space between the air inlet base and the storm collar.

note:

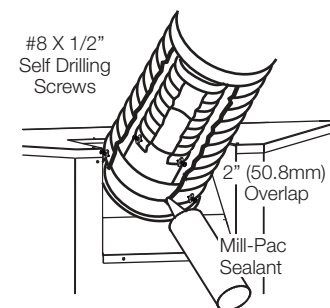
Fastening hardware provided with appropriate roof terminal and liner kits.

- Fasten the roof support to the roof using 6 screws. The roof support is optional. In this case, the venting is to be adequately supported using either an alternate method suitable to the authority having jurisdiction or the optional roof support.
- Stretch the inner flex pipe to the required length. Slip the inner flex pipe a minimum of 2" (51mm) over the inner pipe of the air terminal connector and secure with a minimum of three screws, when 4/7, 5/8 and 3/5 venting is used and a minimum of six screws when using 8/10 or 8/11 venting. Seal using a heavy bead of red RTV silicone sealant (W573-0002) (not supplied).
- Repeat using the outer flex pipe, using a heavy bead of red RTV silicone sealant (W573-0002) (not supplied) and a minimum of three screws, when 4/7, 5/8 and 3/5 venting is used and a minimum of six screws when using 8/10 or 8/11 venting.
- Thread the air terminal connector / vent pipe assembly down through the roof. The air terminal must be positioned vertically and plumb. Attach the air terminal connector to the roof support, ensuring that the top of the air terminal is 16" (40.6cm) above the highest point that it penetrates the roof.
- Remove nails from the shingles, above and to the sides of the air terminal connector. Place the flashing over the air terminal connector leaving a min. 3/4" (19mm) of the air terminal connector showing above the top of the flashing. Slide the flashing underneath the sides and upper edge of the shingles. Ensure that the air terminal connector is properly centered within the flashing, giving a 3/4" (19mm) margin all around. Fasten to the roof. Do not nail through the lower portion of the flashing. Make weather-tight by sealing with caulking. Where possible, cover the sides and top edges of the flashing with roofing material.
- Aligning the seams of the terminal and air terminal connector, place the terminal over the air terminal connector making sure the vent pipe goes into the hole in the terminal. Secure with a minimum of three screws, when 4/7, 5/8 and 3/5 venting is used and a minimum of six screws when using 8/10 or 8/11 venting.
- Apply a heavy bead of weatherproof caulking 2" (51mm) above the flashing. Install the storm collar around the air terminal and slide down to the caulking. Tighten to ensure that a weather-tight seal between the air terminal and the collar is achieved.
- If more vent pipe needs to be used to reach the appliance, see "**horizontal air terminal installation**" section.



5.3.3 appliance vent connection

- Install the inner flex pipe to the appliance. Secure with a minimum of three screws when installing 3"/5", 4"/7" or 5"/8" venting, or six screws when installing 8"/10" or 8"/11" venting. Seal the joint and screw holes using Mill Pac sealant (W573-0007) (not supplied).
- Install the outer flex pipe to the appliance. Secure with a minimum of three screws when installing 3"/5", 4"/7" or 5"/8" venting, or six screws when installing 8"/10" or 8"/11" venting. Seal the joints using high temperature red RTV silicone (W573-0002) (not supplied).



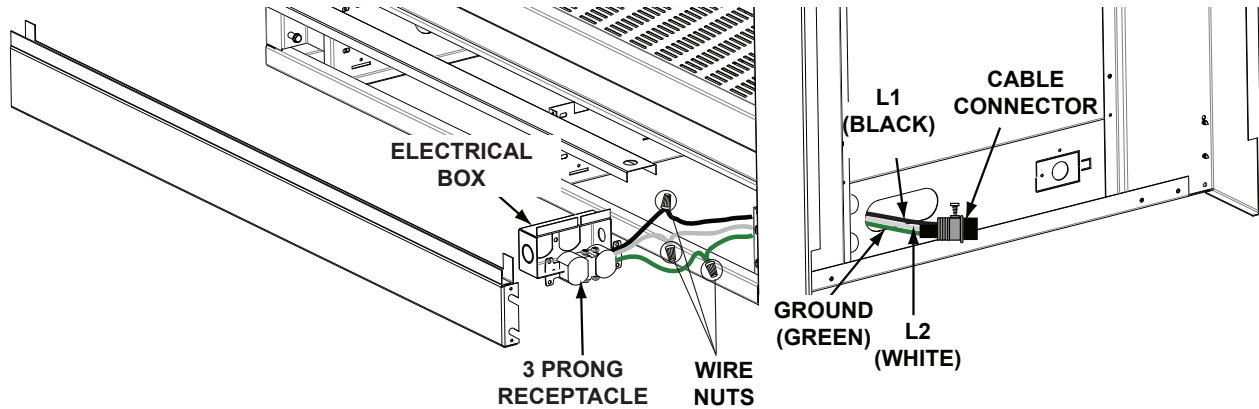
6.1 hard wiring connection

It is necessary to hard wire this appliance.

Permanently framing the appliance with an enclosure, requires the appliance junction box to be hard wired.

This appliance must be electrically connected and grounded in accordance with local codes. In the absence of local codes, use the current CSA C22.1 Canadian electrical code in Canada or the ANSI/NFPA national electrical code in the United States.

6.2 receptacle wiring diagram



note:

Ensure that the transformer is plugged into the receptacle.

6.3 electronic wiring diagram

! WARNING

- Do not use this appliance if any part has been under water. Call a qualified service technician immediately to have the appliance inspected for damage to the electrical circuit.
- Risk of electrical shock or explosion. Do not wire 110V to the valve or to the appliance wall switch. Incorrect wiring will damage controls.
- All wiring should be done by a qualified electrician and shall be in compliance with local codes. In the absence of local codes, use the current CSA22.1 Canadian Electric Code in Canada or the current National Electric Code ANSI/NFPA NO. 70 in the United States.
- Always light the pilot whether for the first time or if the gas supply has run out, with the glass door opened or removed.

electrical information

6.4 battery back-up installation

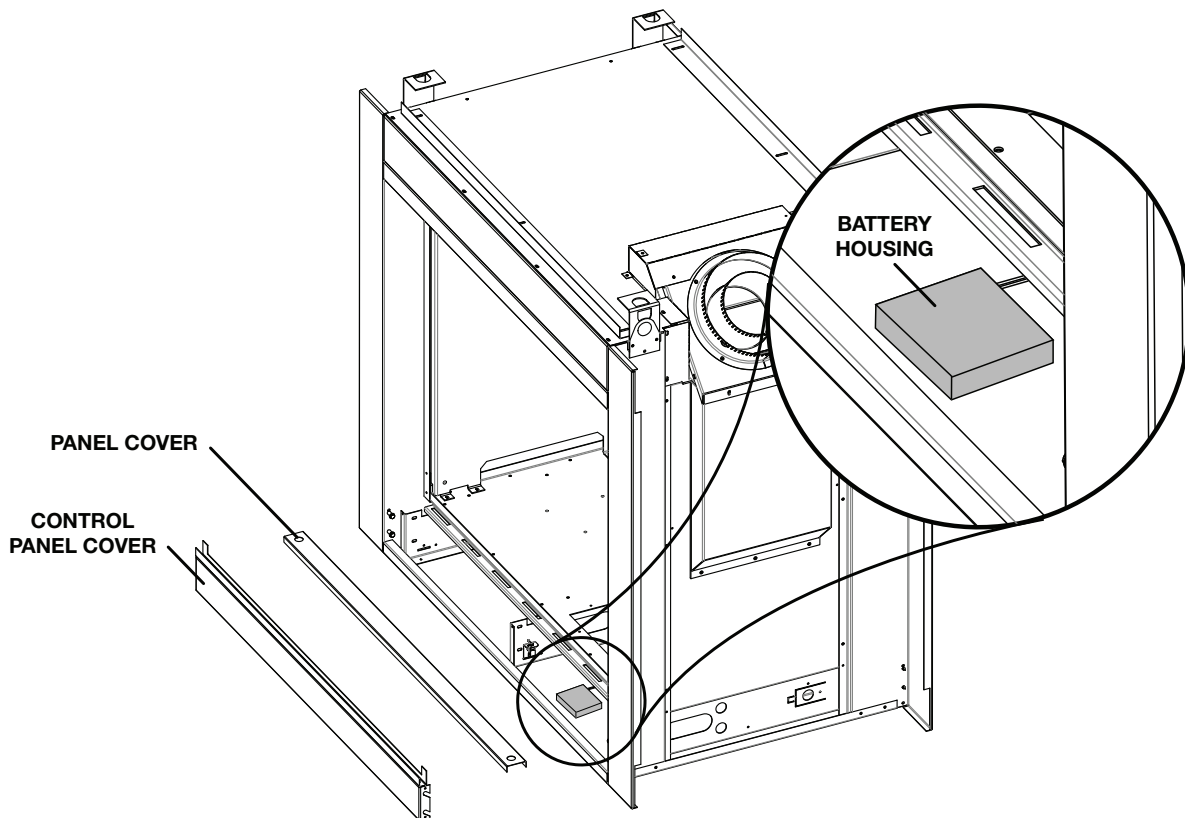
note:

In the event of a power failure, your appliance can be operated using the supplied battery back-up.

- A.** Remove the safety screen and door, refer to "main safety barrier removal / installation" and "main door removal / installation" sections.
- B.** Remove the panel cover using the two finger holes, then remove the control panel cover by lifting it up and off of the four shoulder screws. This will allow you to easily access the battery housing.
- C.** Remove your battery housing to install the batteries, this will be located in the control compartment, as shown below.
- D.** Install the four "AA" batteries, ensure the positive and negative ends correspond with those identified on the battery housing.
- E.** Place the battery housing back into position or let it rest on the hearth, for the duration of the power failure.

note:

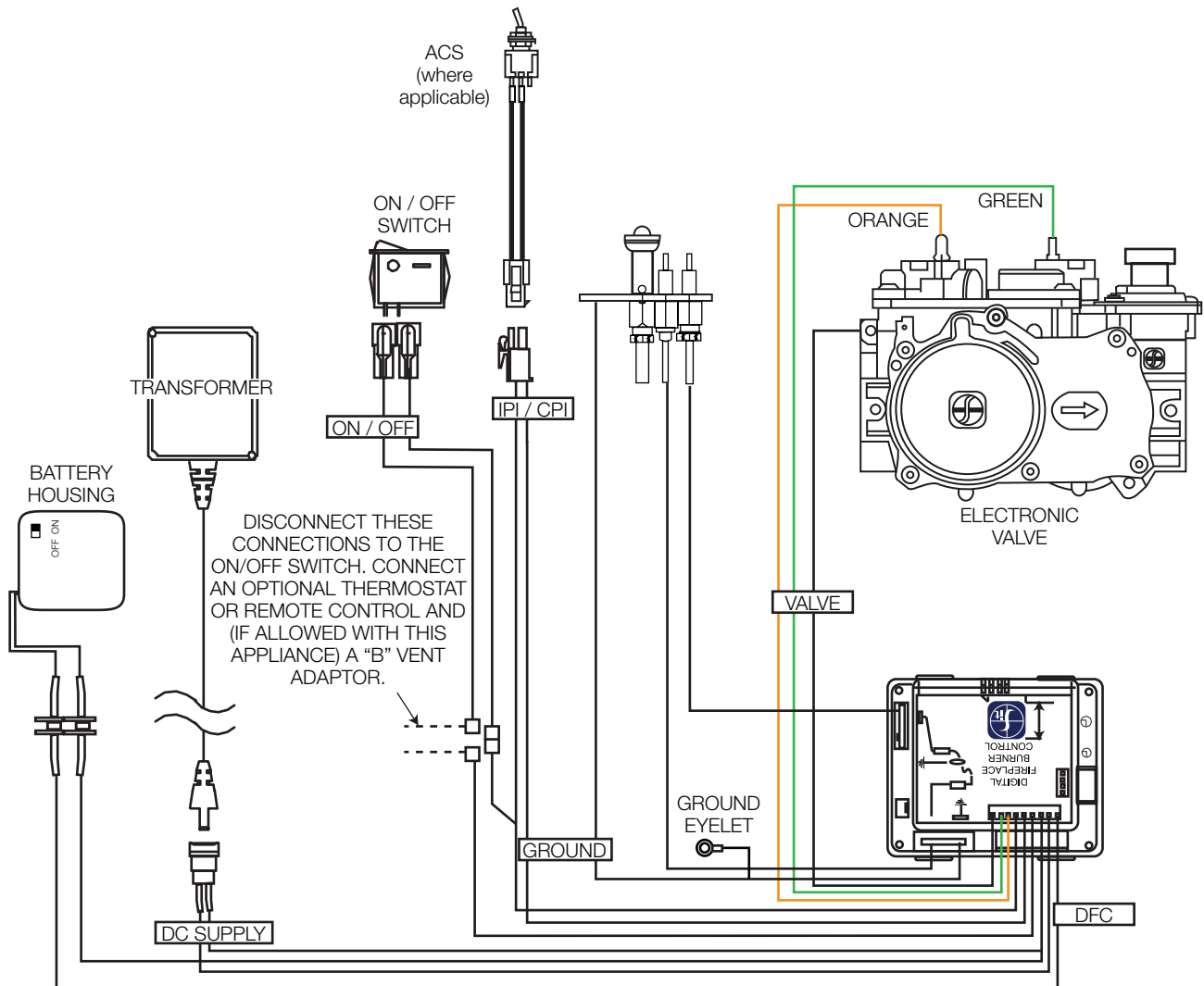
Once the power has been restored, remove the batteries from the holder.



6.5 wiring diagram

! WARNING

- Do not wire 110 volts to the valve or wall switch.



WHERE APPLICABLE, APPLIANCES WITH "B" VENT ADAPTORS MUST HAVE THE SPILL SWITCH WIRED IN SERIES WITH EITHER THE EXISTING SWITCH OR OPTIONAL WALL SWITCH, THERMOSTAT OR REMOTE.

note:

This appliance comes equipped with a battery back-up. If this backup is used, install 4 'AA' batteries (not supplied) into the holder and connect to the wire harness. Connect the battery holder to the wire harness before using the appliance. Place near the DFC board. If the backup is used, it must be connect to this 6 volt battery pack (supplied).

Legend	
DFC	Digital Fireplace Control
DC	Direct Current
IPI	Intermittent Pilot Ignition
CPI	Continuous Pilot Ignition (with 7-day timer)
ACS	Anti-Condensation Switch (IPI / CPI)

! WARNING

- Risk of fire, explosion, or asphyxiation. Ensure there are no ignition sources such as sparks or open flames.
- Support gas control when attaching gas supply pipe to prevent damaging gas line.
- Always light the pilot whether for the first time or if the gas supply has run out with the glass door opened or removed. Purging of the gas supply line should be performed by a qualified service technician. Ensure that a continuous gas flow is at the burner before closing the door. Ensure adequate ventilation. For gas and electrical locations, see "dimensions" section.
- All gas connections must be contained within the appliance when complete **(gas fireplaces only)**.
- High pressure will damage valve. Disconnect gas supply piping before testing gas line at test pressures above 1/2 PSIG.
- Valve settings have been factory set, do not change.

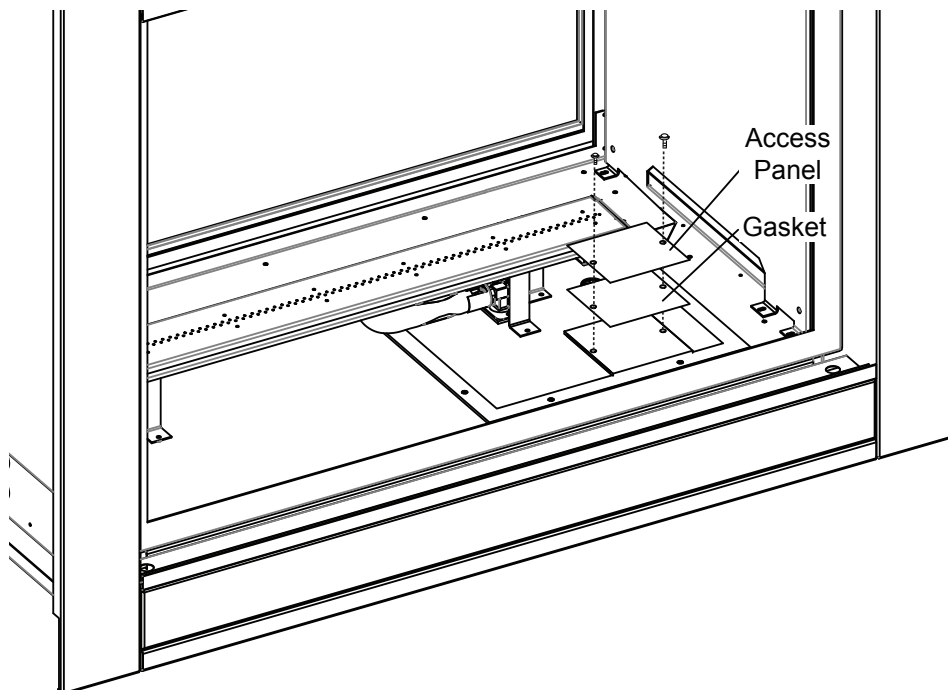
Installation and servicing to be done by a qualified installer.

- Move the appliance into position and secure.
- If equipped with a flex connector, the appliance is designed to accept a 1/2" (13mm) gas supply. Without the connector, it is designed to accept a 3/8" (9.5mm) gas supply. The appliance is equipped with a manual shut off valve to turn off the gas supply to the appliance.
- Connect the gas supply in accordance to local codes. In the absence of local codes, install to the current CAN/CSA-B149.1 Installation Code in Canada or to the current National Fuel Gas Code, ANSI Z223.1 / NFPA 54 in the United States.
- When flexing any gas line, support the gas valve so that the lines are not bent or kinked.
- The gas line flex-connector should be installed to provide sufficient movement for shifting the burner assembly on its side to aid with servicing components.
- Check for gas leaks by brushing on a soap and water solution. **Do not use open flame.**

After installing the electrical wiring and gas lines, ensure to test the appliance before finishing the framing and finishing the appliance.

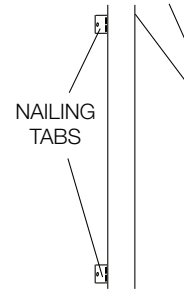
7.1 access panel for gas line connection

- Remove the screen and door from the appliance, see "main screen removal / door removal" section.
- Remove media and media tray from the appliance, see "cradle burner removal" section.
- Unscrew the 2 screws that hold the access panel to the firebox.
- Remove the gasket (careful not to tear).



8.0 nailing tab installation EN

- A. Nailing tabs are provided as part of the frames, as shown. To determine the final location and where to bend the nailing tabs you must first determine the thickness of your finishing material (i.e. drywall). This will determine the dimension from the front edge of the corner post to the nailing tab. Once the nailing tab is in the desired location and secure using an appropriate fastener*.



* Additional fasteners may be installed.

9.0 operation

WARNING

- If you do not follow these instructions exactly, a fire or explosion may result causing property damage, personal injury, or loss of life.
- If applicable, always light the pilot whether for the first time or if the gas supply has run out with the glass door opened or removed.

Ensure that a continuous gas flow is at the burner before installing the door. When lit for the first time, the appliance will emit an odor for a few hours. This is a normal temporary condition caused by the “burn-in” of paints and lubricants used in the manufacturing process and will not occur again. After extended periods of non-operation, such as, following a vacation or warm weather season, the appliance may emit a slight odor for a few hours. This is caused by dust particules in the heat exchanger burning off. In both cases, open a window to sufficiently ventilate the room.

FOR YOUR SAFETY READ BEFORE LIGHTING

- Do not turn on if children or other at risk individuals are near the appliance.
- This appliance is equipped with an ignition device which automatically lights the pilot. Do not try to light the pilot by hand.
- Before operating, smell all around the appliance area for gas and next to the floor because some gas is heavier than air and will settle on the floor.
- Do not use this appliance if any part has been under water. Immediately call a qualified service technician to inspect the appliance and replace any part of the control system and any gas control which has been underwater.

WHAT TO DO IF YOU SMELL GAS

- Turn off all gas to the appliance.
- Open windows.
- Do not try to light any appliance.
- Do not touch any electric switch; do not use any phone in your building
- Immediately call your gas supplier from a neighbour's phone. Follow the gas supplier's instructions.
- If you cannot reach your gas supplier, call the fire department.

LIGHTING INSTRUCTIONS

note:

This appliance is equipped with an ignition device which automatically lights the pilot. Do not try to light the pilot by hand.

- Stop! Read the above safety information on this label.
- Remove batteries from the transmitter and set thermostat to lowest setting, if equipped.
- Turn off all electrical power to the appliance.
- Open the glass door, if equipped.
- Turn the manual shut-off valve clockwise to the “OFF” position. (Shut-off valve is located on the flex connector).
- Wait five (5) minutes to clear out any gas. If you smell gas including near the floor, **STOP!** Follow the instructions above in the “WHAT TO DO IF YOU SMELL GAS” section. If you don't smell gas; close the glass door and go to the next step.
- Turn the manual shut-off valve counter clockwise to the “ON” position.
- Turn on all electrical power to the appliance and re-install the batteries into the transmitter. Set thermostat to desired setting, if equipped.
- Turn on the remote wall switch to the appliance.
- If the appliance will not operate, follow instructions “TO TURN OFF GAS” and call your service technician or gas supplier.

TO TURN OFF GAS

- Set thermostat to lowest setting, if equipped.
- Turn off the remote wall switch to the appliance.
- Turn off all electric power to the appliance if service is to be performed.
- Turn manual shutoff valve clockwise to the “OFF” positon. Do not force.

9.1 pilot-on-demand

This appliance is equipped with an “On Demand” intermittent pilot ignition system (IPI) which also includes a continuous pilot ignition (CPI) mode with an integrated seven day timer. This system minimizes your appliance’s carbon footprint as well as reducing its annual fuel consumption and operating costs.

In IPI mode, the pilot will ignite prior to the main burner, when the appliance is turned on using a switch, remote or from a call for heat with the thermostat (if equipped). Once the appliance is turned off (or the call for heat is satisfied), the main burner and pilot flame will shut down.

The continuous (CPI) mode is intended to enhance the performance of the appliance during the startup phase in colder climates and extreme weather by keeping the system warm when the main burner is not in use. However, the timer feature provides the convenience that the appliance automatically switches off the pilot when the appliance has not been used for seven days to save unnecessary fuel consumption.

When the CPI function is turned on, the pilot will remain on after the main burner is turned off. A timer will then begin the countdown for approximately seven days before shutting off the pilot if the appliance is not used. This countdown will reset anytime the appliance main burner is used. Therefore, if the appliance is regularly used day to day, the pilot will remain on. However, this system does not require the user to remember to turn the pilot off as summer approaches and avoids unnecessary fuel consumption while still readily turned back on when the cold weather returns.

Your appliance may be equipped with an ACS or remote control device which enables you to select IPI or CPI modes.

If your appliance is equipped with an ACS switch, it has the option to change modes. If installed with the blue wire facing up, flipping the switch UP turns on the continuous pilot with timer and flipping the switch DOWN turns on the intermittent pilot ignition. If installed with the white wire facing up, the opposite is true.

If your appliance is equipped with a remote control device capable of selecting IPI / CPI modes, refer to remote operating instructions.

In order to start your pilot, turning the main burner on with the switch, remote or thermostat and then turning it off will reactivate the continuous pilot mode and reset the seven day timer.

For further information, refer to www.napoleon.com/pilotondemand.



10.0 operating instructions

When lit for the first time, the appliance will emit a slight odour for a few hours. This is a normal temporary condition caused by the “burn-in” of internal paints and lubricants used in the manufacturing process and will not occur again. Simply open a window to sufficiently ventilate the room. After extended periods of non-operation such as following a vacation or a warm weather season, the appliance may emit a slight odour for a few hours. This is caused by dust particles in the heat exchanger burning off. Open a window to sufficiently ventilate the room.

10.1 operating instructions - for your safety read before operating

OPERATING INSTRUCTIONS / INSTRUCTIONS D'OPÉRATION
FOR YOUR SAFETY READ BEFORE OPERATING / POUR VOTRE SÉCURITÉ LIRE AVANT DE FAIRE FONCTIONNER

WARNING: DO NOT TURN ON IF CHILDREN OR OTHER AT RISK INDIVIDUALS ARE NEAR THE APPLIANCE. IF YOU DO NOT FOLLOW THESE INSTRUCTIONS EXACTLY, A FIRE OR EXPLOSION MAY RESULT CAUSING PROPERTY DAMAGE, PERSONAL INJURY OR LOSS OF LIFE. INITIAL LIGHTING OF THE PILOT AND MAIN BURNERS MUST BE DONE WITH THE GLASS DOOR OFF. DO NOT CONNECT VALVE OR WALL SWITCH TO ELECTRICITY. SEE INSTALLATION INSTRUCTIONS.

ATTENTION: NE PAS ALLUMER SI DES ENFANTS OU D'AUTRES INDIVIDUS À RISQUE SONT À PROXIMITÉ DU FOYER. QUICONQUE NE RESPECTE PAS À LA LETTRE LES INSTRUCTIONS DANS LA PRÉSENTE NOTICE, RISQUE DE DÉCLENCHER UN INCENDIE OU UN EXPLOSION ENTRAÎNANT DES DOMMAGES, DES BLESSURES OU LA MORT. L'ALLUMAGE INITIAL DE LA VEILLEUSE ET DU BRÛLEUR PRINCIPAL DOIT SE FAIRE AVEC LA PORTE VITRÉE ENLEVÉE. NE RACCORDEZ PAS LA SOUPAPE OU L'INTERRUPTEUR MURAL À L'ÉLECTRICITÉ. CONSULTEZ LES INSTRUCTIONS D'INSTALLATION.

A. THIS APPLIANCE IS EQUIPPED WITH AN IGNITION DEVICE WHICH AUTOMATICALLY LIGHTS THE PILOT. DO NOT TRY TO LIGHT BY HAND.

B. BEFORE OPERATING, SMELL ALL AROUND THE APPLIANCE AREA FOR GAS AND NEXT TO THE FLOOR BECAUSE SOME GAS IS HEAVIER THAN AIR AND WILL SETTLE ON THE FLOOR.

WHAT TO DO IF YOU SMELL GAS:

- TURN OFF ALL GAS TO THE APPLIANCE.
- OPEN WINDOWS.
- DO NOT TRY TO LIGHT ANY APPLIANCE.
- DO NOT TOUCH ANY ELECTRICAL SWITCH; DO NOT USE ANY PHONE IN YOUR BUILDING.
- IMMEDIATELY CALL YOUR GAS SUPPLIER FROM A NEIGHBOUR'S PHONE. FOLLOW THE GAS SUPPLIER'S INSTRUCTIONS.
- IF YOU CANNOT REACH YOUR GAS SUPPLIER, CALL THE FIRE DEPARTMENT.

C. DO NOT TRY TO REPAIR ANY PART OF THIS ASSEMBLY. CALL A QUALIFIED SERVICE TECHNICIAN. FORCE OR ATTEMPTED REPAIR MAY RESULT IN A FIRE OR EXPLOSION.

D. DO NOT USE THIS APPLIANCE IF ANY PART HAS BEEN UNDER WATER. IMMEDIATELY CALL A QUALIFIED SERVICE TECHNICIAN TO INSPECT THE APPLIANCE AND REPLACE ANY PART OF THE CONTROL SYSTEM AND ANY GAS CONTROL WHICH HAS BEEN UNDER WATER.

A. CET APPAREIL EST MUNI D'UN DISPOSITIF D'ALLUMAGE QUI ALLUME AUTOMATIQUEMENT LA VEILLEUSE. NE TENTEZ PAS D'ALLUMER LA VEILLEUSE MANUELLEMENT.

B. AVANT DE FAIRE FONCTIONNER, RENIFLEZ TOUT AUTOUR DE L'APPAREIL POUR DÉCELER UN ODEUR DE GAZ. RENIFLEZ PRÈS DU PLANCHER, CAR CERTAINS GAZ SONT PLUS LOURDS QUE L'AIR ET PEUVENT S'ACCUMULER AU NIVEAU DU SOL.

QUE FAIRE SI VOUS DÉTECTEZ UNE ODEUR DE GAZ:

- COUPEZ L'ALIMENTATION DE GAZ PRINCIPALE.
- OUVREZ LES FENÊTRES.
- NE PAS TENTER D'ALLUMER D'APPAREIL.
- NE TOUCHEZ À AUCUN INTERRUPTEUR; NE PAS VOUS SERVIR DES TÉLÉPHONES SE TROUVANT DANS LE BÂTIMENT.
- APPELÉZ IMMÉDIATEMENT VOTRE FOURNISSEUR DE GAZ DEPUIS UN VOISIN. SUIVEZ LES INSTRUCTIONS DU FOURNISSEUR.
- SI VOUS NE POUVEZ REJOINDRE LE FOURNISSEUR APPELÉZ LE SERVICE DES INCENDIES.

C. N'ESSAYEZ PAS DE RÉPARER AUCUNE PIÈCE DE CET ASSEMBLAGE. APPELÉZ UN TECHNICIEN QUALIFIÉ. FORCER OU TENTER DE RÉPARER L'ASSEMBLAGE POURRAIT CAUSER UN FEU OU UNE EXPLOSION.

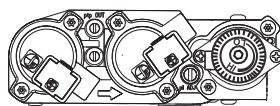
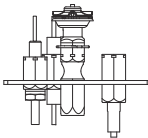
D. N'UTILISEZ PAS CET APPAREIL S'IL A ÉTÉ PLONGÉ DANS L'EAU, MÊME PARTIELLEMENT. FAITES INSPECTER L'APPAREIL PAR UN TECHNICIEN QUALIFIÉ ET REMPLACEZ TOUTE PARTIE DU SYSTÈME DE CONTRÔLE ET TOUTE COMMANDE QUI ONT ÉTÉ PLONGÉS DANS L'EAU.

W385-0460 / E

10.2 lighting instructions

LIGHTING INSTRUCTIONS / INSTRUCTIONS D'ALLUMAGE

1. **STOP!** READ ALL INFORMATION OF OPERATING AND LIGHTING INSTRUCTIONS BEFORE PROCEEDING.
2. TURN OFF ELECTRICAL POWER TO THE APPLIANCE.
3. THIS APPLIANCE IS EQUIPPED WITH AN IGNITION DEVICE WHICH AUTOMATICALLY LIGHTS THE PILOT. DO NOT TRY TO LIGHT THE PILOT BY HAND.
4. OPEN THE GLASS DOOR.
5. TURN MANUAL SHUTOFF VALVE CLOCKWISE TO OFF.
6. WAIT FIVE (5) MINUTES TO CLEAR OUT ANY GAS. IF YOU SMELL GAS, INCLUDING NEAR THE FLOOR, **STOP!** FOLLOW "B" OF THE OPERATING INSTRUCTIONS. IF YOU DON'T SMELL GAS, GO TO THE NEXT STEP.
7. TURN MANUAL SHUTOFF VALVE COUNTER-CLOCKWISE TO ON.
8. CLOSE THE GLASS DOOR.
9. TURN ON ALL ELECTRICAL POWER TO THE APPLIANCE.
10. TURN ON MAIN BURNER.

1. **ARRÊTEZ!** LISEZ TOUTES LES INSTRUCTIONS DE FONCTIONNEMENT ET D'ALLUMAGE AVANT DE CONTINUER.
2. COUPEZ L'ALIMENTATION ÉLECTRIQUE À L'APPAREIL.
3. CET APPAREIL EST MUNI D'UN DISPOSITIF D'ALLUMAGE QUI ALLUME LA VEILLEUSE AUTOMATIQUEMENT, N'ESSAYEZ PAS D'ALLUMER LA VEILLEUSE MANUELLEMENT.
4. OUVREZ LA PORTE VITRÉE.
5. TOURNEZ LA SOUPAPE DE SECTIONNEMENT MANUELLE VERS LA DROITE À « OFF ».
6. ATTENDEZ CINQ (5) MINUTES POUR QUE LE GAZ PUISSE S'ÉCHAPPER. SI VOUS DÉTECTEZ UNE ODEUR DE GAZ, **ARRÊTEZ!** SUIVEZ « B » DANS LES INSTRUCTIONS DE FONCTIONNEMENT. S'IL N'Y A PAS D'ODEUR DE GAZ, PASSEZ À L'ÉTAPE SUIVANTE.
7. TOURNEZ LA SOUPAPE DE SECTIONNEMENT MANUELLE VERS LA GAUCHE À « ON ».
8. FERMEZ LA PORTE VITRÉE.
9. RÉTABLISSEZ L'ALIMENTATION ÉLECTRIQUE AU FOYER.
10. ALLUMEZ LE BRÛLEUR PRINCIPAL.

TO TURN OFF GAS / INSTRUCTIONS POUR COUPER LE GAZ

1. TURN OFF ALL ELECTRICAL POWER TO THE APPLIANCE IF SERVICE IS TO BE PERFORMED.
2. TURN MANUAL SHUTOFF VALVE CLOCKWISE TO OFF. DO NOT FORCE.
1. COUPEZ L'ALIMENTATION ÉLECTRIQUE AU FOYER SI UN TRAVAIL D'ENTRETIEN DOIT SE FAIRE.
2. TOURNEZ LA SOUPAPE D'ARRÊT MANUELLE VERS LA DROITE À « OFF ». NE FORCEZ PAS.

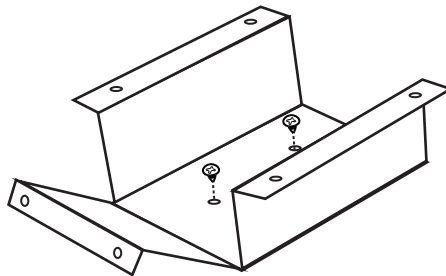
W385-0460 / E

! WARNING

- Risk of fire!
- Never obstruct the front opening of the appliance.
- The front of the appliance must be finished with any non-combustible materials such as brick, marble, granite, etc., provided that these materials do not go below the specified dimension, as illustrated.
- Do not strike, slam, or scratch. Do not operate appliance with glass removed, cracked, or scratched.
- Facing and/or finishing material must never overhang into the appliance opening.
- The glass door assembly is a safety device designed to pivot forward when relieving excess pressure that might occur. Finishing or other materials must not be located in the opening surrounding the door as this will interfere with the doors ability to relieve pressure.
- If applicable, drywall dust will penetrate into the blower bearings, causing irreparable damage. Care must be taken to prevent drywall dust from coming into contact with the blower or its compartment. Any damage resulting from this condition is not covered by the warranty policy.

11.1 shipping bracket

- Remove the door(s), refer to "door removal / installation " section for instructions.
- Cut the strap holding the glass and vent thimble in place.
- Remove the 2 screws holding the shipping bracket / vent shield in place, as shown.



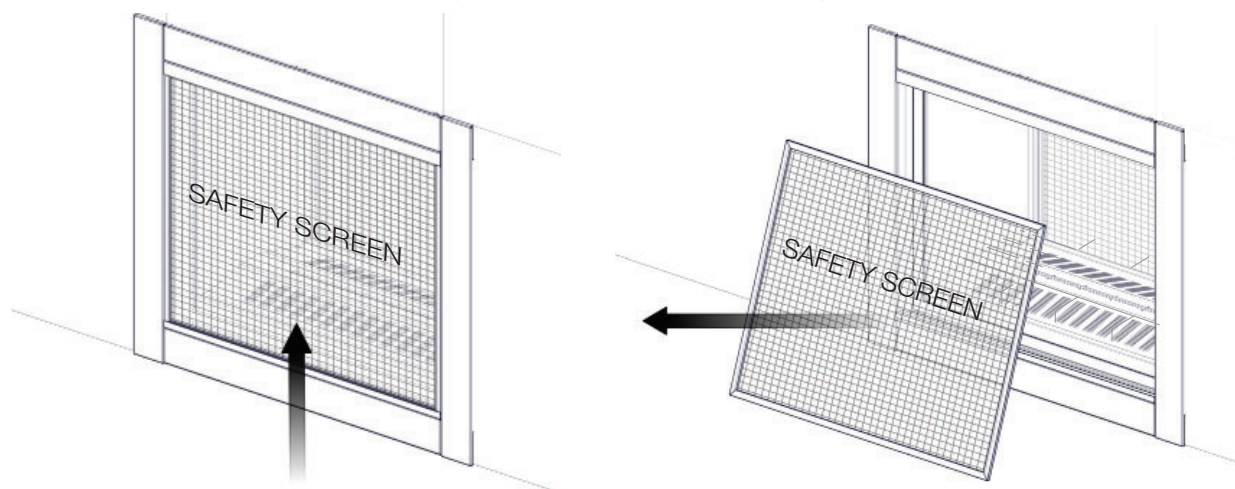
note:

The two screws removed from the shipping bracket vent shield **MUST** be replaced.

11.2 main safety barrier removal / installation

A barrier designed to reduce the risk of burns from the hot viewing glass is provided with the appliance and shall be installed.

Before the glass door can be removed, the safety screen must be removed. Lift the safety screen up and pull it out of the bottom retainer. Pull the safety screen down and out of the top retainer.

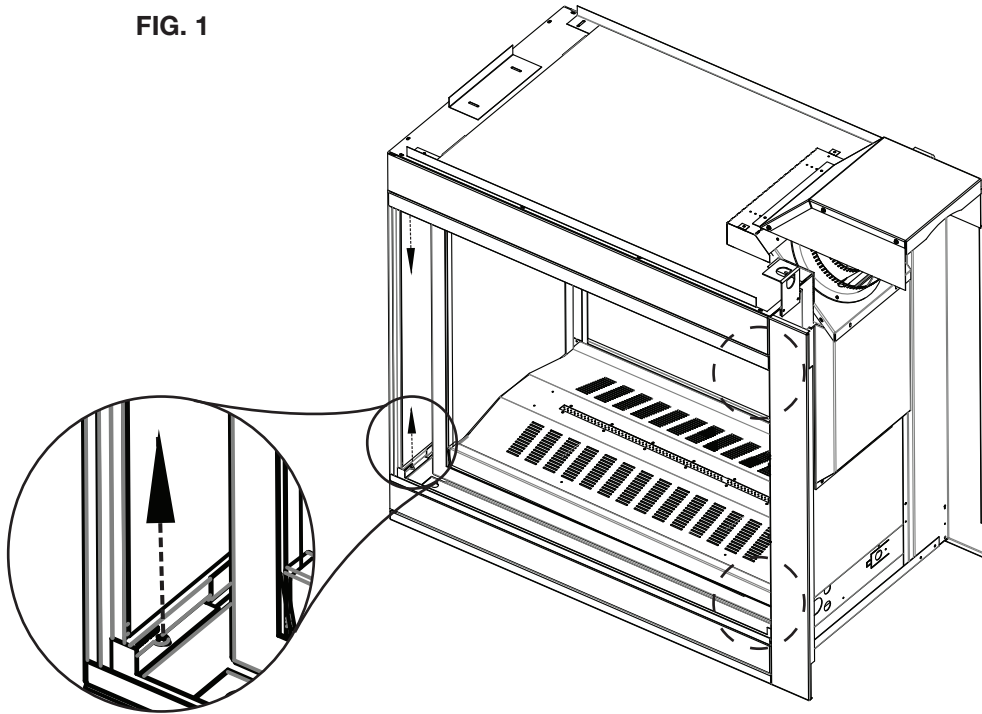
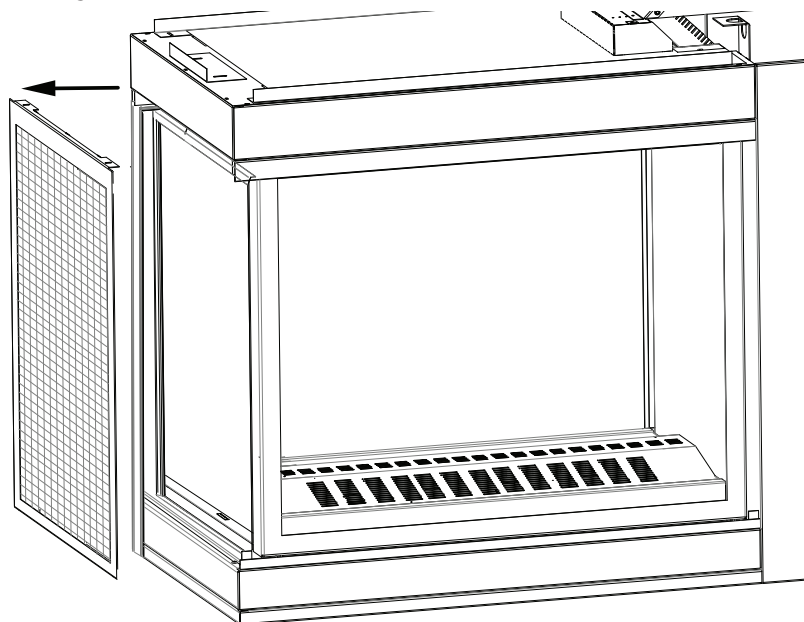


Reverse these steps to reinstall the safety screen. Ensure it is installed correctly.

11.3 end safety barrier removal / installation (BHD4P only)**note:**

One of the main safety barriers must be removed prior to end barrier removal, see "main safety barrier removal / installation" section.

- A. Remove the 4 securing screws from the top and bottom of the end screen retainer, refer to Figure 1.
- B. Pull the safety screen forward and out from the appliance, refer to Figure 2.

FIG. 1**FIG. 2**

11.4 main door removal / installation

! WARNING

- Glass may be hot. Do not touch glass until cooled.
- If equipped with door latches that are part of a safety system, they must be properly engaged. Do not operate the appliance with latches disengaged.
- Facing and/or finishing materials must not interfere with air flow through air openings, louvre openings, operation of louvres, or doors/access for service. Observe all clearances when applying combustible materials.
- Before door is removed, turn the appliance off and wait until appliance is cool to the touch. Doors are heavy and fragile so handle with care.

- Remove the safety barrier, see "main safety barrier removal / installation" section.
- Loosen but do not remove the three securing screws from the top retainer and pull retainer away from the appliance, refer to Figure 1.
- There are two latches on the top of each door, refer to Figure 2. Using the tool provided, pull the latch forward and upwards, out of the slot in the door, as shown. **Ensure to keep one hand on the door at all times, to prevent it from falling on the floor.**
- When both latches have been released, tilt the door forward and out of the bottom door retainer.
- Reverse this process to install the door.

FIG. 1

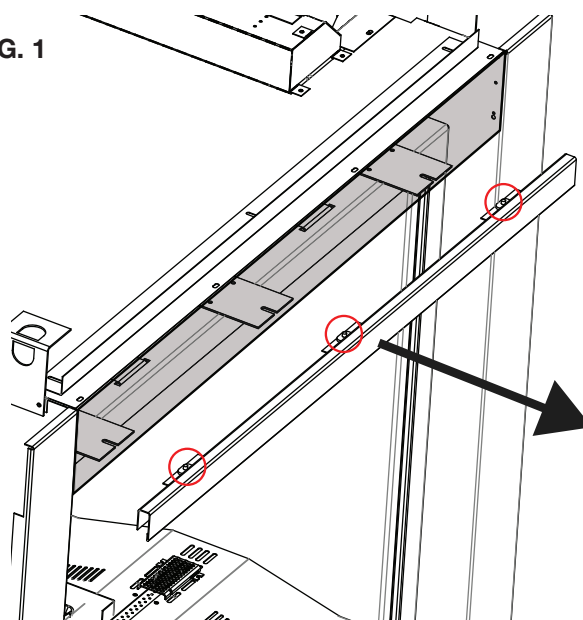
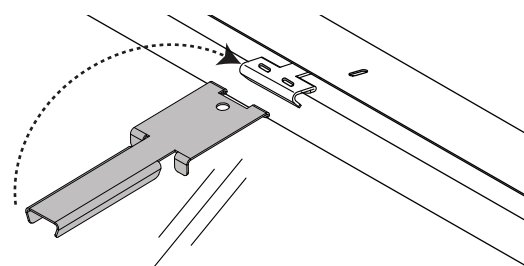
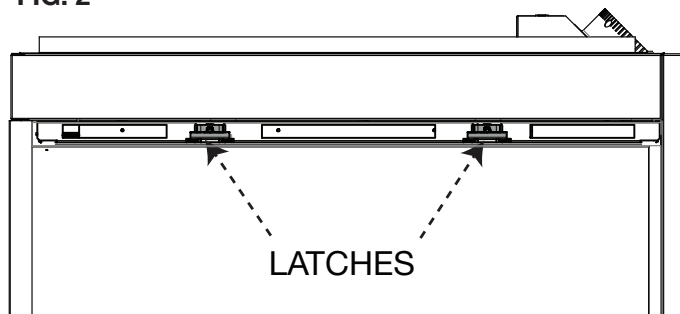


FIG. 2



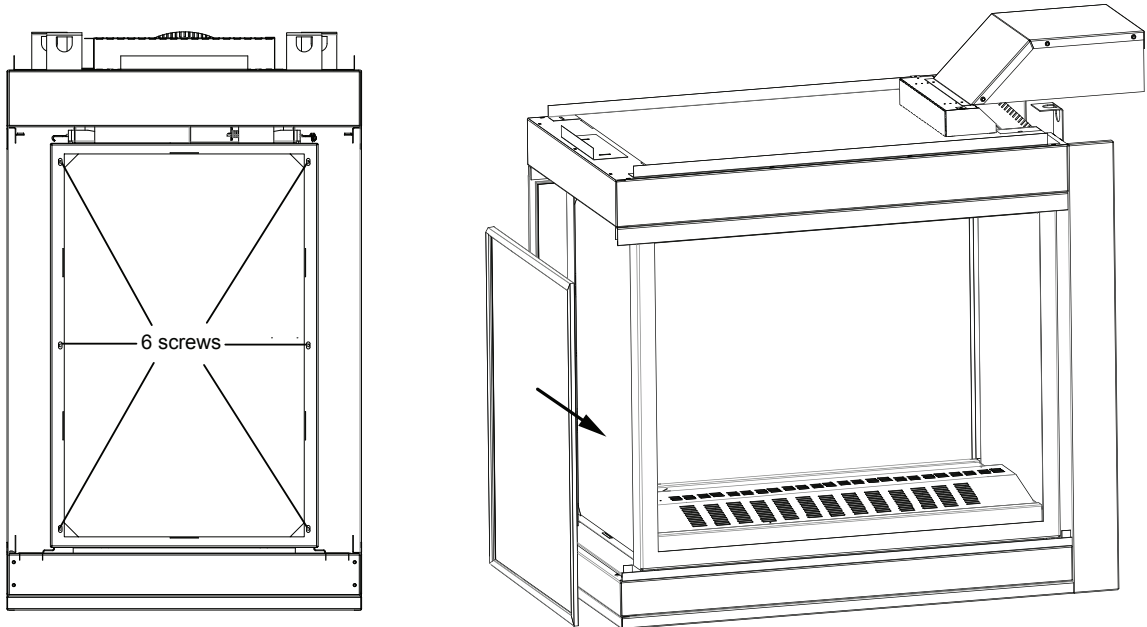
IMPORTANT: Once latches are engaged, test that the door is secure and will not fall forward before letting go.

11.5 end door removal / installation (BHD4P only)

note:

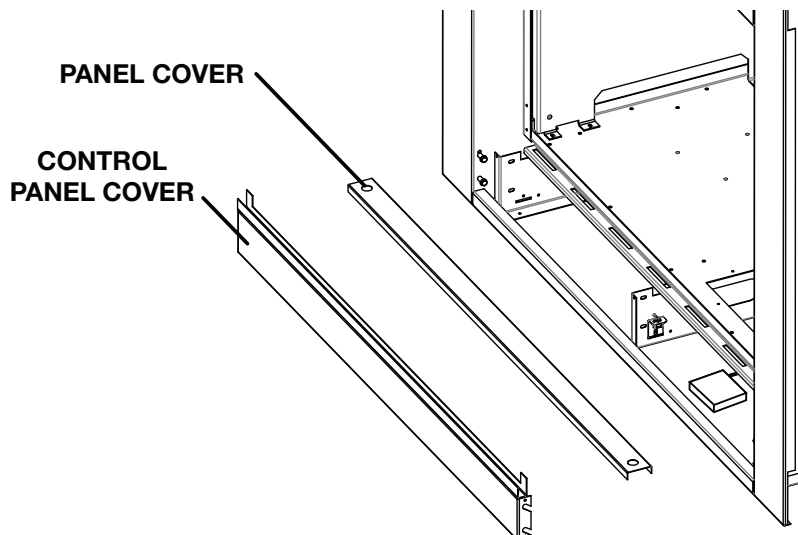
One of the main safety barriers and doors must be removed prior to end barrier removal, see "main safety barrier removal / installation" section and "main door removal / installation" sections for detailed instructions.

- A. Remove the 6 screws securing the end door in place, as shown below. **Ensure to keep one hand on the door, from the inside of the appliance, at all times to prevent it from falling.**
- B. Tilt the door from the top downwards and carefully remove it from the appliance.
- C. To install the end door, reverse these steps.



11.6 control panel removal

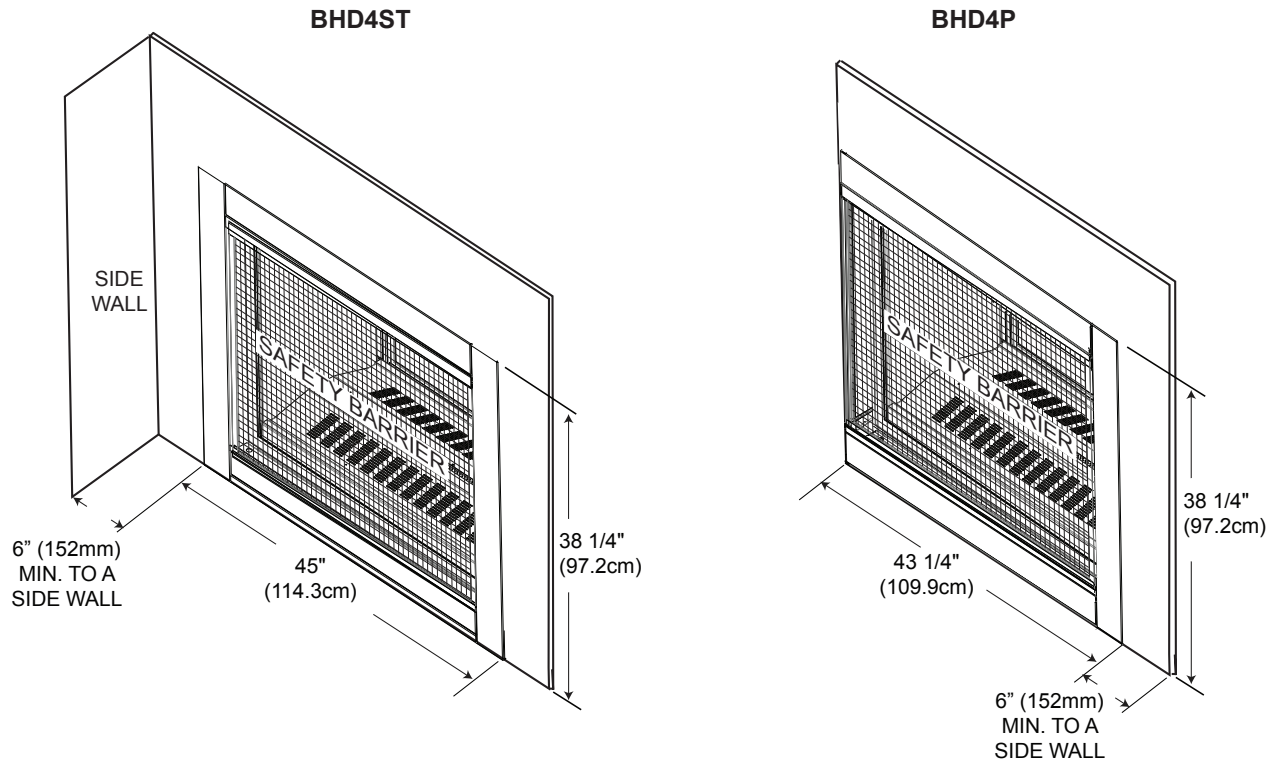
- A. Remove the main safety screen, see "main safety barrier removal / installation" section.
- B. Remove the panel cover using the two finer holes, lift it up and away from the appliance, as shown below.
- C. Remove the control panel cover by lifting it up and off of the four shoulder screws, as shown below.



11.7 installing combustible board

! WARNING

- The surface above the appliance gets very hot. If proper finishing materials are not used, cracking can occur.
- Ensure clearances are maintained for surround removal, as it must lift off the appliance for maintenance.



Joint Compound where required

Joint compounds such as Durabond 90 and tapes that are resilient to heat and cracking should be used when taping and mudding seams.

Setting tiles and grouting

We recommend you use tiles with a dry butt joint to be installed using a two-part mortar with an acrylic latex additive, such as Mapei Kerabond/Kerlastic, to allow for slight movement in the normal operation of the appliance. If grout is used between the tiles, a polymer-based grout, such as Mapei Ultracolor plus, is recommended.

Primer/Paint

For a painted surface, use a 100% acrylic latex primer and finish coat. Paints may discolour.

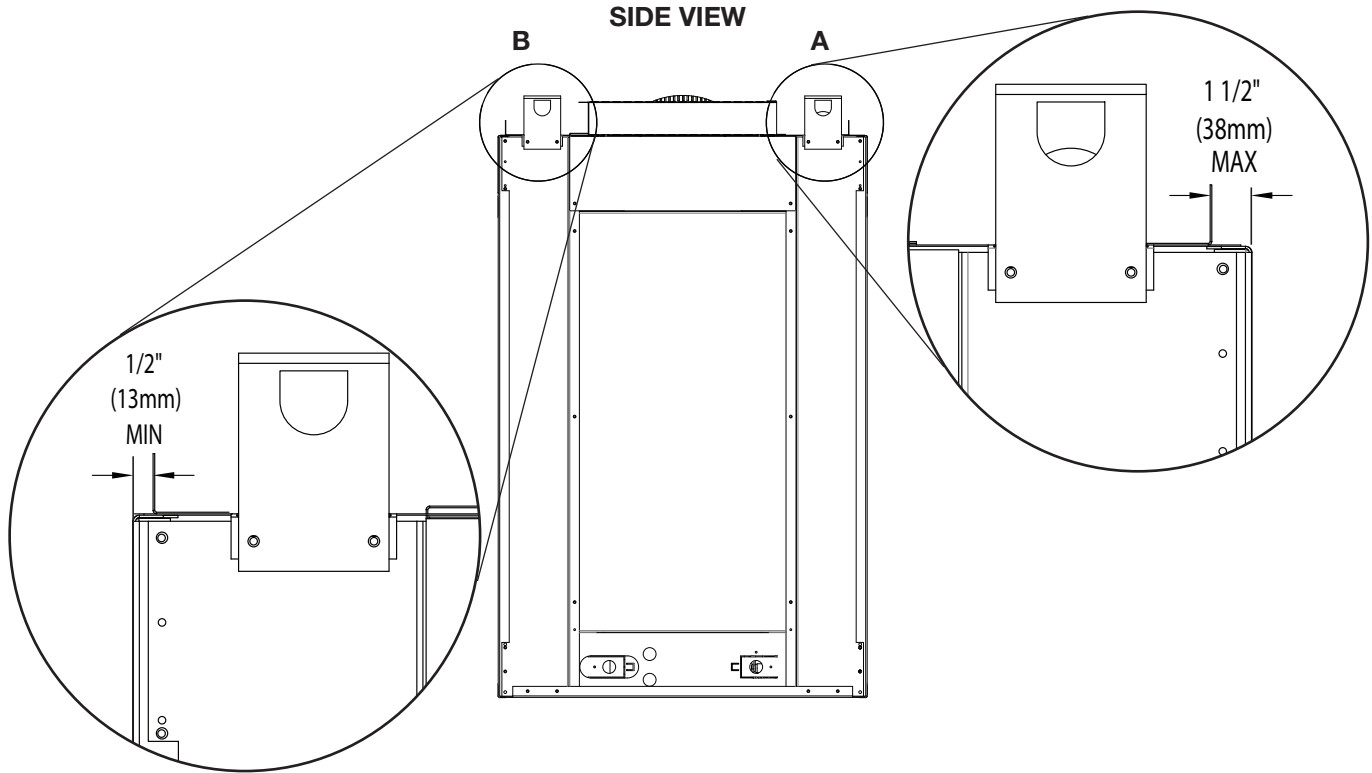
finishing

11.7.1 finishing support adjustment

Depending on the finishing material we have allowed from 0" (0mm) to 1" (25mm) of adjustment after the 1/2" (13mm) combustible board has been installed. Loosen the 8 screws on each finishing support. Adjust the finishing support to the desired position.

note:

Peninsula models have one end support that can also be adjusted by loosening the two screws.

**note:**

Framing dimensions "A" and "B" will be affected as the finishing supports are adjusted outwards, refer to "framing" section.

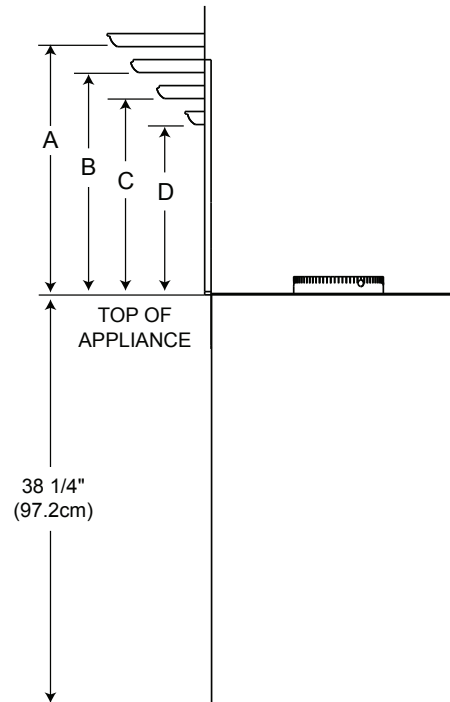
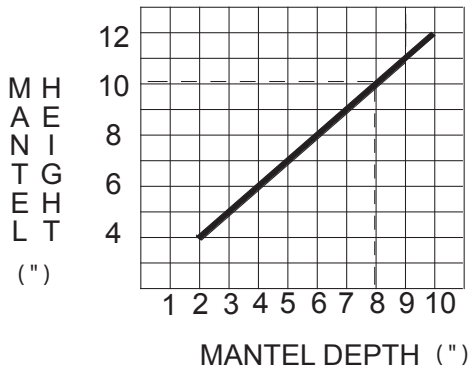
11.8 minimum mantel clearances

! WARNING

- Risk of fire. Maintain all specified air space clearances to combustibles. Failure to comply with these instructions may cause a fire or cause the appliance to overheat. Ensure all clearances (i.e. back, side, top, vent, mantel, front, etc.) are clearly maintained.
- When using paint or lacquer to finish the mantel, the paint or lacquer must be heat resistant to prevent discolouration.

Combustible mantel clearance can vary according to the mantel depth. Use the graph to help evaluate the clearance needed.

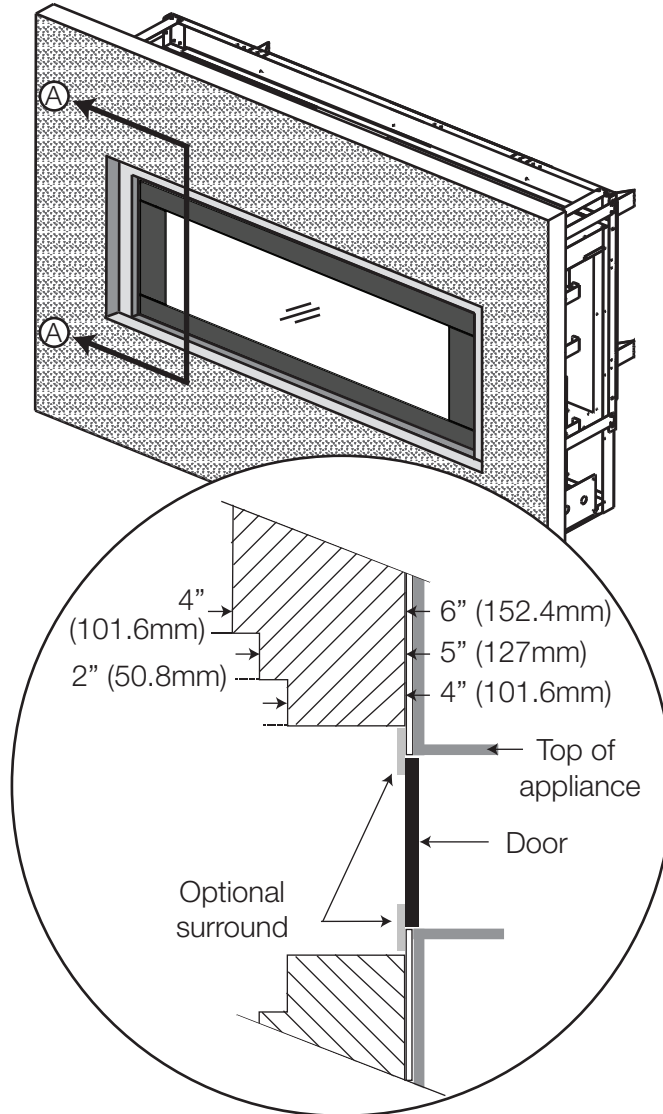
MANTEL DIMENSIONS		
Ref	Height	Depth
D	4" (102mm)	2" (51mm)
C	6" (152mm)	4" (102mm)
B	8" (203mm)	6" (152mm)
A	10" (254mm)	8" (203mm)



11.9 non-combustible facing material

! WARNING

Non-combustible facing material must not project more than 4" (101.6mm) from the face of the door (all four sides). If greater projections are desired, increase the clearance to the sides, bottom and top by 2" (50.8mm) for every additional 1" (25.4mm) of projection. If using an optional surround, the same rule applies, starting from the top of the surround. Ensure clearances are maintained for surround removal, as it must lift off the appliance for maintenance.



11.10 hearth pad installation

note:

The individual hearth pads can be easily identified by the numbers cast on the underside of each pad.

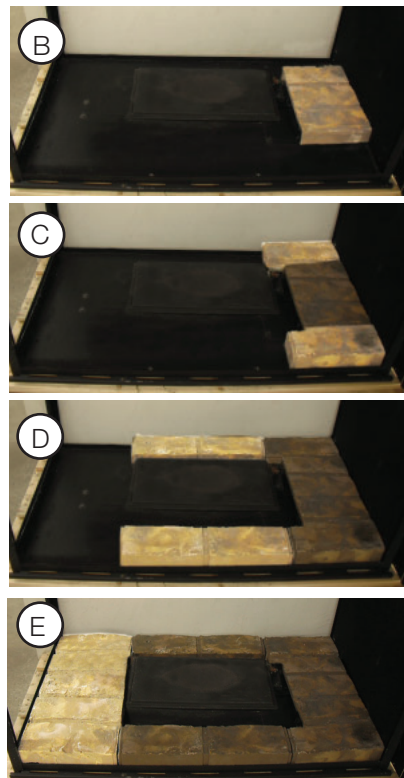
note:

The pilot is located on the right end in these instructions.

- A. Remove the main safety screen and door from the appliance, see "main safety barrier removal / installation" and "main door removal / installation" sections for detailed removal instructions.

HINT: For ease of installation, remove both main doors.

- B. Place the #3 hearth pad on the pilot side of the burner, as shown in Figure B.
- C. Place the #1A hearth pad on the right side and the #1 hearth pad on the left side of appliance, as shown in Figure C.
- D. Place the two #2 hearth pads on the right and left sides, as shown in Figure D.
- E. Place the #4 hearth pad on the left end, as shown in Figure E.



11.11 log placement

! WARNING

- Failure to position the logs in accordance with these diagrams or failure to use only logs specifically approved with this appliance may result in property damage or personal injury.
- Logs must be placed in their exact location in the appliance. Do not modify the proper log positions, since appliance may not function properly and delayed ignition may occur.
- The logs are fragile and should be handled with care.

note:

The individual logs can be easily identified by the numbers cast on the underside of each log.

Phazer™ logs and glowing embers, exclusive to Wolf Steel Ltd., provide a unique and realistic glowing effect that is different in every installation. During the initial use of the appliance, log colours may vary. During the initial use of the appliance, the colours will become more uniform as colour pigments burn in during the heat activated curing process.

Blocked burner ports can cause an incorrect flame pattern.

note:

The pilot is located on the right end in these instructions.

1. Remove the main safety screens and doors, see "main safety barrier removal / installation" and "main door removal / installation" sections for removal instructions.
2. Place a pin into the bottom of log #1 lining it up with the hole in the hearth pad. Then place onto the screw and spacer located in the corner of the burner, on the right side. Place a pin into the center of log #1 (**FIG.1**).
3. Place log #2 onto the pin located in the log #1, it should rest in the middle of the left side hearth pad as shown in Figure 2. Place one pin into the middle of log #2 (**FIG.2**).
4. Place log #3 onto the pin located in log #2 and let it rest on log #2, as shown in Figure 3 and in the left side view below. Place another pin into log #2 (**FIG.3**).

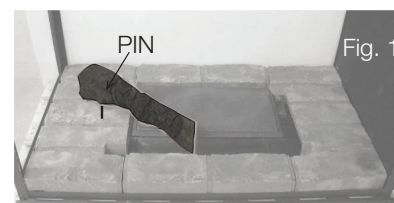


Fig. 1

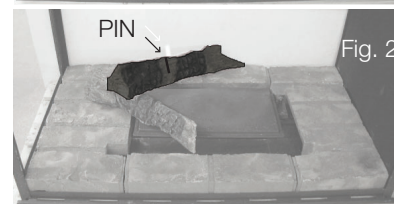


Fig. 2

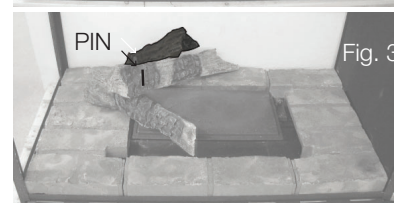


Fig. 3

finishing

- Place log #4 onto the pin located in log #2 and let it rest on log #2, as shown in Figure 4 and in the left side view. Place one pin into the left side hearth pad (**FIG.4**).
- Place log #5 onto the pin located in the left side hearth pad and let it rest on the burner (**FIG.5**).

note:

Ensure log #5 does not cover any burner ports.

- Place log #6 onto the pin located on the right side corner of the burner, then place one pin into middle of the log #6 and log #5 (**FIG.6**).

note:

Ensure log #6 does not cover any burner ports.

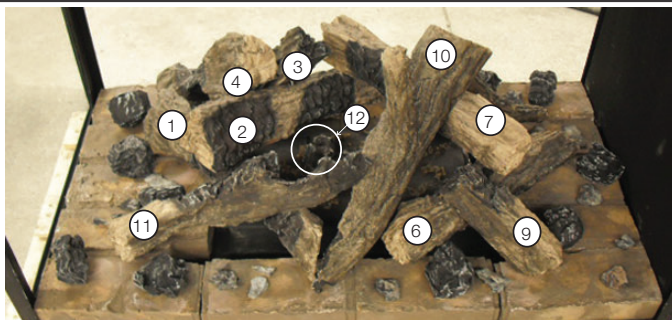
- Place log #7 onto the pin located in log #6 and onto the pin in log #5 (**FIG.7**).
- Place log #8 on the hearth pad and let it rest against the notch in the side of log #7 (**FIG.8**)

HINT: The best view of log #8 is shown in the left side view below.

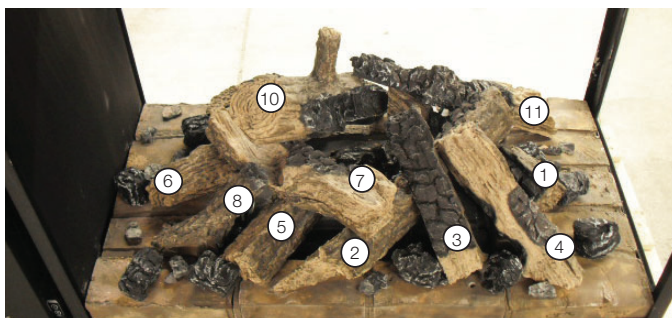
- Place log #9 onto the pin located in log #6 and let it rest on the right side corner hearth pad and then place one pin into log #7 (**FIG.9**).
- Place log #10 onto the pin located in log #7 and let it rest in the middle of the right side hearth pad, as shown in Figure 10. Place one pin into log #1 (**FIG.10**).
- Place log #11 onto the pin located in log #1 and let it rest on the right end hearth pad (**FIG.11**).
- Place charcoal lump #12 onto the two pins located in the center of the burner (**FIG.12**).
- Install the glowing embers, see "glowing embers" section.
- Sprinkle the charcoal embers around the log support, see "charcoal embers" section. (Use illustration below as reference).
- Place the charcoal lumps on top of the charcoal embers, see "charcoal lumps" section. (Use illustration below as reference).

note:

Do not cover the pilot or burner ports with media or embers. Do not overfill.



RIGHT SIDE VIEW



LEFT SIDE VIEW

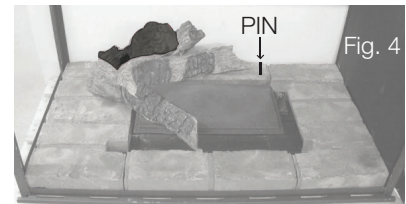


Fig. 4

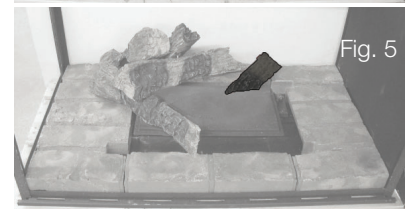


Fig. 5

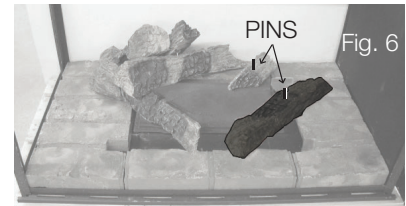


Fig. 6

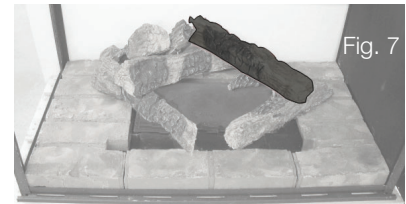


Fig. 7

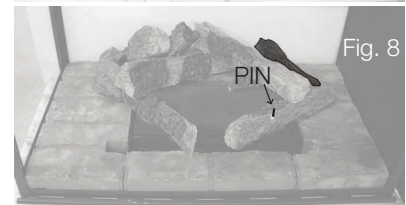


Fig. 8

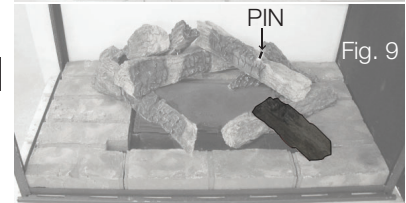


Fig. 9

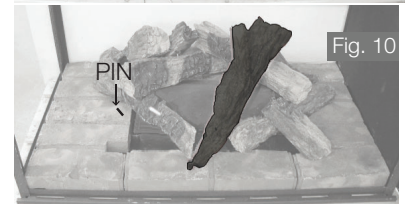


Fig. 10

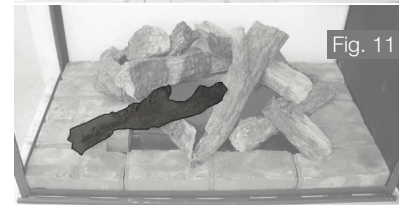


Fig. 11

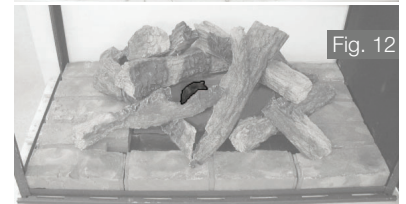


Fig. 12

11.11.1 glowing embers

WARNING

- Completely blocking the burner ports can cause an incorrect flame pattern, carbon deposits and delayed ignition.

Tear the embers into pieces and loosely layer above the burner ports covering the burner area. Care should be taken to shred the embers into thin, small irregular pieces as only the exposed edges of the fibre hairs will glow.

The ember material will only glow when exposed to direct flame; however, care should be taken to not block off the burner ports.

Blocked burner ports can cause an incorrect flame pattern, carbon deposits and delayed ignition. **PHAZER™** logs glow when exposed to direct flame. Use only certified “glowing embers” and **PHAZER™** logs available from your local authorized dealer / distributor.

11.11.2 charcoal embers

WARNING

- Do not block or close off the burner ports. Blocked ports can cause an incorrect flame pattern, carbon deposits and delayed ignition.
- When supplied, charcoal embers, charcoal lumps and vermiculite are not to be placed on the burner.

Randomly place the charcoal embers along the front and sides of the log support in a realistic manner.

Fine dust found in the bottom of the bag should not be used.

note:

Charcoal embers are not to be placed on the burner.

11.11.3 charcoal lumps

WARNING

- Do not block or close off the burner ports. Blocked ports can cause an incorrect flame pattern, carbon deposits and delayed ignition.
- When supplied, charcoal embers, charcoal lumps and vermiculite are not to be placed on the burner.

Place the lumps in front of the logs in a realistic manner taking care not to block or close off any of the burner ports.

11.12 glass media installation

! WARNING

- Clean the glass media prior to installation. Before applying the cleaned glass, ensure that it is dry.
- Do not change or substitute the glass media material provided with this appliance. If replacing, use only the replacement glass media available from your local authorized dealer / distributor.
- Glass media over the burner must not be more than one layer high. More than one layer over the burner will cause flame lifting and sooting problems.
- Do not place any media (glass or vermiculite) in or around the pilot opening and/or on the burner ports. This will interfere with the pilot operation.

Evenly spread the glass media onto the media tray, covering the burner tube and tray. Ensure no glass media falls into the pilot opening. If this happens, insert a clean bag into your vacuum cleaner and vacuum out the glass media. Replacement glass can be purchased from your local dealer / distributor.

note:

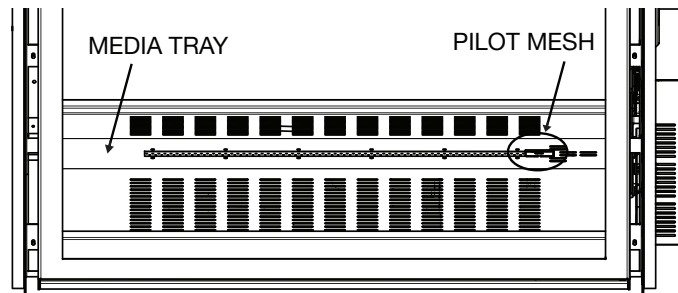
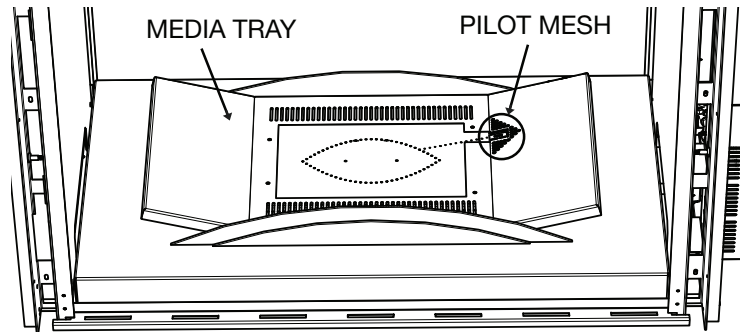
Do not use more media than what was supplied with the appliance.

Cleaning Glass Media

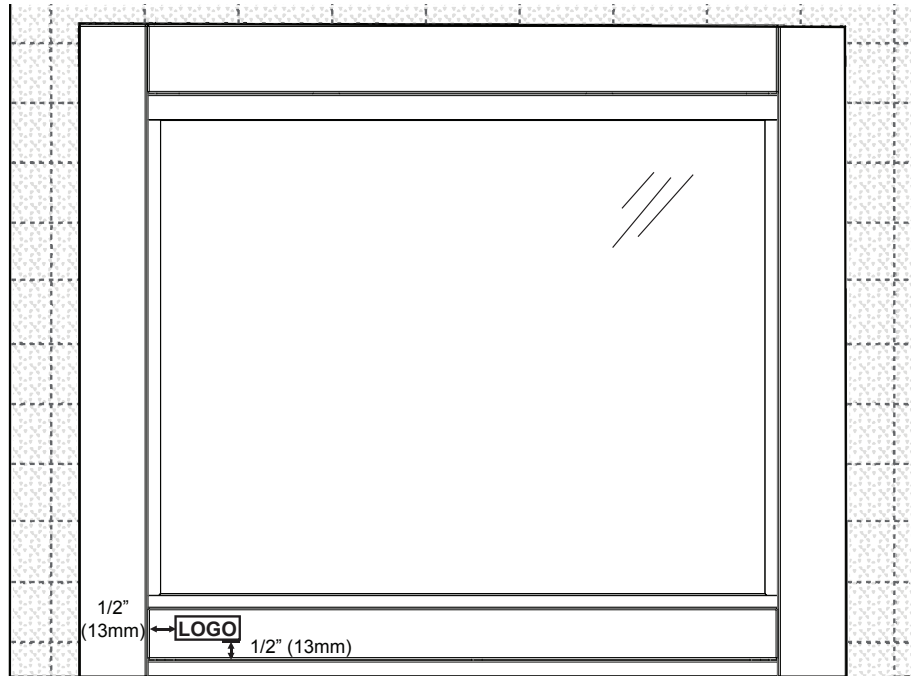
Glass media may have a fine oil residue that needs to be cleaned prior to installation. Clean the glass with mild dish soap, drain, rinse thoroughly and dry before placing over the burner.

note:

Glass media may cover the entire media tray. Care should be taken around the pilot mesh. We recommend that no media should be placed directly on the pilot mesh.

BHD4STG AND BHD4PG ONLY**BHD4STFC AND BHD4FC ONLY**

11.13 logo placement



12.0 adjustments

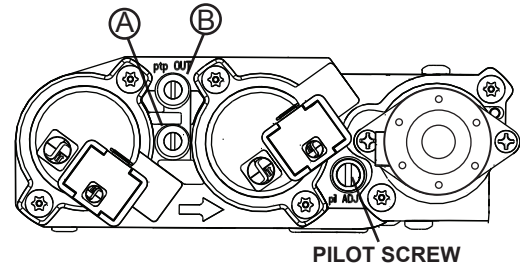
12.1 pilot burner adjustment

Adjust the pilot screw to provide properly sized flame. Turn in a clockwise direction to reduce the gas flow.

Check Pressure Readings:

Inlet pressure can be checked by turning screw (A) counter-clockwise 2 or 3 turns and then placing pressure gauge tubing over the test point. Gauge should read as described on the chart below. Check pressure with main burner operating on "HI".

Outlet pressure can be checked the same as above using screw (B). Gauge should read as described on the chart below. Check pressure with main burner operating on "HI".



After taking pressure readings, be sure to turn screws clockwise firmly to reseal. Do not overtorque.

Leak test with a soap and water solution.

Prior to pilot adjustment, ensure that the pilot assembly has not been painted. If overspray or painting of the pilot assembly has occurred remove the paint from the pilot assembly, or replace. Fine emery cloth or a synthetic scrub pad (such as Scotch-Brite™) can be used to remove the paint from the pilot hood, electrode and flame sensor.

Pressure	Natural Gas (inches)	Natural Gas (millibars)	Propane (inches)	Propane (millibars)
Inlet	*7" (minimum 4.5")	17.4mb (minimum 11.2mb)	13" (minimum 11")	32.4mb (minimum 27.4mb)
Outlet	3.5"	8.7mb	10"	24.9mb

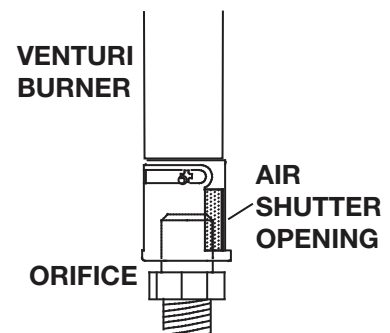
***Maximum inlet pressure not to exceed 13"**

12.2 venturi adjustment

This appliance has an air shutter that has been factory set open according to the chart below:

Regardless of venturi orientation, closing the air shutter will cause a more yellow flame, but can lead to carbonization. Opening the air shutter will cause a more blue flame, but can cause flame lifting from the burner ports. The flame may not appear yellow immediately; allow 15 to 30 minutes for the final flame colour to be established.

AIR SHUTTER ADJUSTMENT MUST ONLY BE DONE BY A QUALIFIED INSTALLER.



note:

It is important that the orifice is securely inserted into the venturi.

VENTURI ADJUSTMENT CHART

NG	1/16" (1.6mm)
P	5/16" (8mm)

12.3 restricting vertical vents

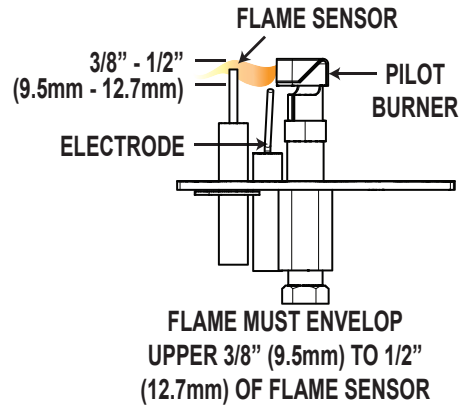
Vertical installations may display a very active flame. If this appearance is not desirable, the vent exit must be restricted using a restrictor vent kit. Refer to the "**replacement parts**" section of the owner's manual for the appropriate kit. This will reduce the velocity of the exhaust gases, slowing down the flame pattern and creating a more traditional gentle flame appearance. Specific instructions are included with the kit.

note:

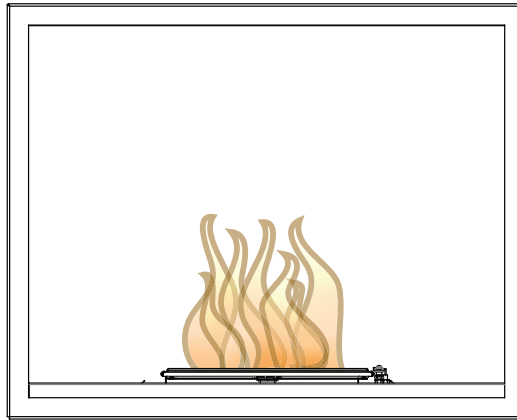
If the appliance has been reduced to 4/7" venting only, use an RP4 to restrict vertical venting.

12.4 flame characteristics

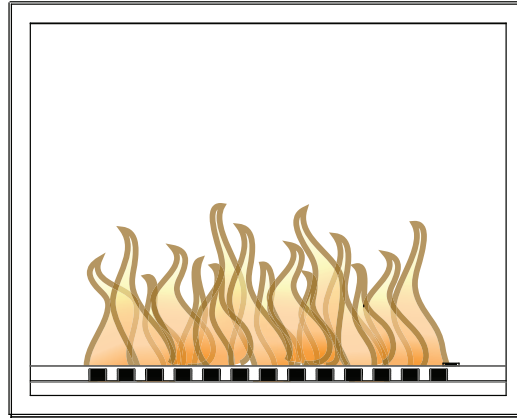
It's important to periodically perform a visual check of the pilot and burner flames. Compare them to the illustration provided. If any flames appear abnormal, call a service person.



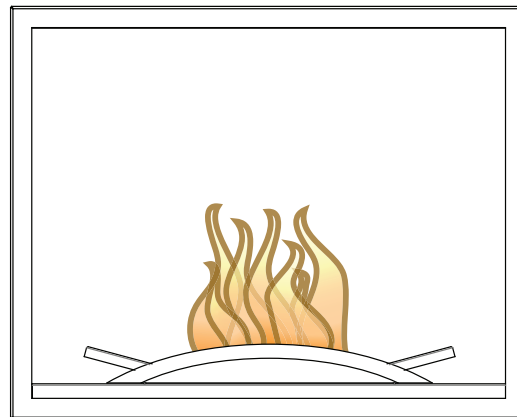
LOG BURNER



GLASS BURNER



CRADLE



WARNING

- Turn off the gas and electrical power before servicing the appliance.
- Appliance may be hot. Do not service until appliance has cooled.
- Do not use abrasive cleaners on glass.
- Do not paint the pilot assembly.

This appliance and its venting system should be inspected before use and at least annually by a qualified service person. The following suggested checks should be performed by a qualified technician. The appliance area must be kept clear and free of combustible materials, gasoline, or other flammable vapors and liquids. The flow of combustion and ventilation air must not be obstructed.

note:

Caution: Label all wires prior to disconnection when servicing controls. Wiring errors can cause improper and dangerous operation. Verify proper operation after servicing.

1. In order to properly clean the burner and pilot assembly, remove the logs, rocks and/or glass to expose both assemblies.
2. Keep the control compartment, media, burner, air shutter opening and the area surrounding the appliance clean by vacuuming or brushing, at least once a year.
3. Check to see that all burner ports are burning. Clean out any of the ports which may not be burning or are not burning properly.
4. Check to see that the pilot flame is large enough to engulf the flame sensor and/or thermocouple / thermopile as well as it reaches the burner.
5. If your appliance is equipped with a safety barrier, cleaning may be necessary due to excessive lint / dust from carpeting, pets, etc. simply vacuum using the brush attachment.
6. If your appliance is equipped with relief doors, ensure the system performs effectively. Check that the gasket is not worn or damaged. Replace if necessary.
7. Replace the cleaned logs, rocks or glass. Failure to properly position the media may cause carboning which can be distributed in the surrounding living area, inside the firebox and on exterior surfaces surrounding vent termination.
8. Check to see that the main burner ignites completely on all ports when turned on. A 5 to 10 second total light-up period is satisfactory. If ignition takes longer, consult your local authorized dealer / distributor.
9. Visually inspect the appliance for carbon build up. Using a small whisk or brush, brush off the carbon and vacuum up or sweep into garbage.
10. **This step is not applicable for Vent Free appliances:** Check to see that the appliance is venting correctly. Ensure chimney system is safe and unobstructed. (If for any reason the vent air intake system is disassembled, re-install and re-seal per the instructions provided for the initial installation).

13.1 care of glass

WARNING

- Do not clean glass when hot! Do not use abrasive cleaners to clean glass.

Buff lightly with a clean dry soft cloth to remove accumulated dust or fingerprints. Clean both sides of the glass after the first 10 hours of operation with an ammonia-free glass cleaner.

note:

Vinegar-based glass cleaners have demonstrated an ability to provide a clean, streak free glass surface.

Thereafter, clean as required. If the glass is not kept clean permanent discoloration and / or blemishes may result. Contact you local authorized dealer / distributor for complete cleaning instructions.

Razor blades, steel wool, or other metallic objects must not be used on both surfaces of the glass. Doing so can remove a thin layer of metal from the razor blades, steel wool, or other metallic objects that may then be deposited onto the coating. This can result in a discoloured stain or scratch-like mark. More importantly, this can scratch the glass surface, thereby reducing its strength.

Do not operate the appliance with broken glass, as leakage of flue gases may result.

Contact your local authorized dealer / distributor for complete cleaning instructions.

If the glass should ever crack or break while the fire is burning, do not open the door until the fire is out. Do not operate the appliance until the glass has been replaced. Contact you local authorized dealer / distributor for replacement parts. **DO NOT SUBSTITUTE MATERIALS.**

This appliance is factory equipped with 5mm tempered glass. Use only replacement parts as supplied by the appliance manufacturer. **DO NOT SUBSTITUTE MATERIALS.**

maintenance

13.2 annual maintenance

WARNING

- Annual maintenance should be performed by a qualified service technician
 - The firebox becomes very hot during operation. Let the appliance cool completely or wear heat resistant gloves before conducting service.
 - Never vacuum hot embers.
 - Do not paint the pilot assembly
- This appliance will require maintenance which should be planned on an annual basis.
 - Service should include cleaning, battery replacement, venting inspection and inspection of the burner, media, and firebox. Refer to the door removal section and remove the door as instructed.
 - Carefully remove media if necessary (logs, glass, brick panels, etc.).
 - Using a vacuum with soft brush attachment, gently remove any dirt, debris, or carbon build up from the logs, firebox, and burner. For glass media, follow the installation instructions for pre-cleaning.
 - Gently remove any build-up on the pilot assembly including thermopile, thermocouple, flame sensor, and igniter (if equipped).

note:

Clean flame sensor using a fine emery cloth or a synthetic scrub pad (such as Scotch-Brite™) to remove any oxides. Clean the pilot assembly using a vacuum with a soft brush attachment. It is important that the pilot assembly is not painted.

- Inspect all accessible gaskets and replace as required.
- If equipped with a blower, access the blower and clean using a soft brush and vacuum.
- Re-assemble the various components in reverse order.
- Inspect the relief system. The appliance relieves through the main glass door or through the flaps on the firebox top. Ensure they open freely, and close sealed.
- Check the gas control valve pilot and Hi / Lo knobs move freely, if equipped. Replace if any stiffness in movement is experienced.
- Check for gas leaks on all gas connections up and downstream from the gas valve including pilot tube connections.

13.3 glass / door replacement

WARNING

- Do not use substitute materials.
- Glass may be hot. Do not touch glass until cooled.
- Care must be taken when removing and disposing of any broken door glass or damaged components. Be sure to vacuum up any broken glass from inside appliance before operation.
- Do not strike, slam, or scratch. Do not operate appliance with glass removed, cracked, broken, or scratched.

Replacement glass/frame assembly shall be replaced as a complete unit as supplied by the appliance manufacturer.

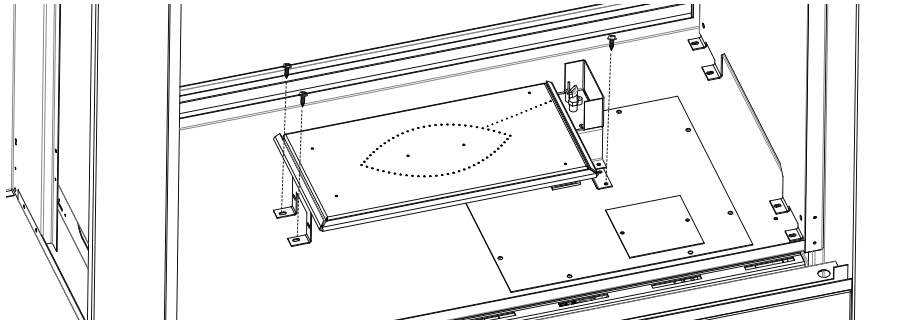
13.4 burner removal

13.4.1 log burner removal

- A. Remove the main door(s) from the appliance see "main door removal / installation" section.
- B. Carefully remove the charcoal embers, charcoal lumps, glowing embers and logs from the appliance.
- C. Remove all of the hearth pads, from the appliance. Refer to the "hearth pad installation / removal" section.
- D. Remove the 4 screws securing the burner in place. Then slide the burner off the orifice and remove from the appliance.
- E. To reinstall the burner, reverse these steps.

note:

When reinstalling the burner, ensure that the venturi rest on the orifice.

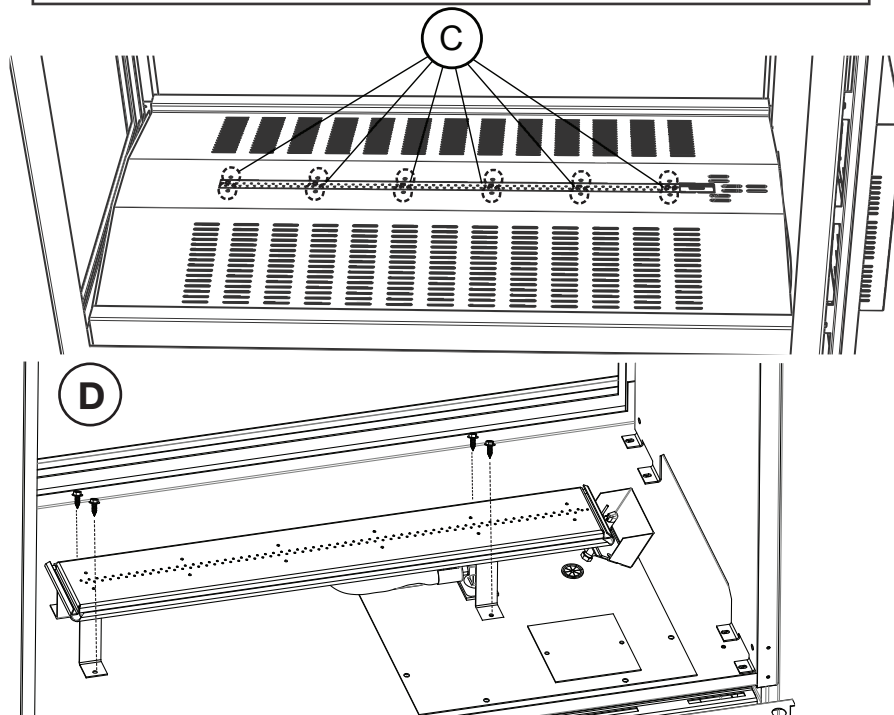


13.4.2 glass burner removal

- A. Remove the main door(s) from the appliance see "main door removal / installation" section.
- B. Vacuum the glass media out of the appliance. Ensure you insert a clean bag into your vacuum cleaner.
- C. Remove the 12 screws securing the media tray, then remove the media tray from the appliance, as shown below.
- D. Remove the 4 screws securing the burner, as shown below. Then slide the burner off of the orifice and remove from the appliance.
- E. To reinstall the burner reverse these steps.

note:

When reinstalling the burner, ensure that the venturi rest on the orifice.



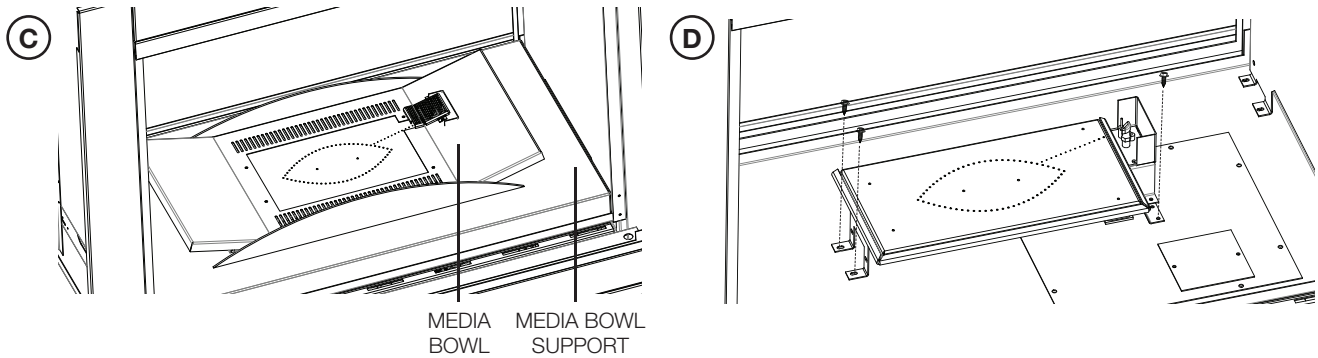
maintenance

13.4.3 cradle burner removal

- A. Remove the door(s) refer to the "door removal / installation" section for instructions.
- B. Carefully remove the glass or rocks from the appliance.
- C. To remove the media bowl support from the appliance, lift the media bowl and the media bowl support up and out of the appliance. The media bowl support and media bowl are secured together and resting loose in the firebox.
- D. Remove the 4 screws securing the burner in place, as shown below. Then slide the burner off the orifice and remove from the appliance.
- E. To reinstall the burner reverse these steps.

note:

When reinstalling the burner, ensure that the venturi rest on the orifice.



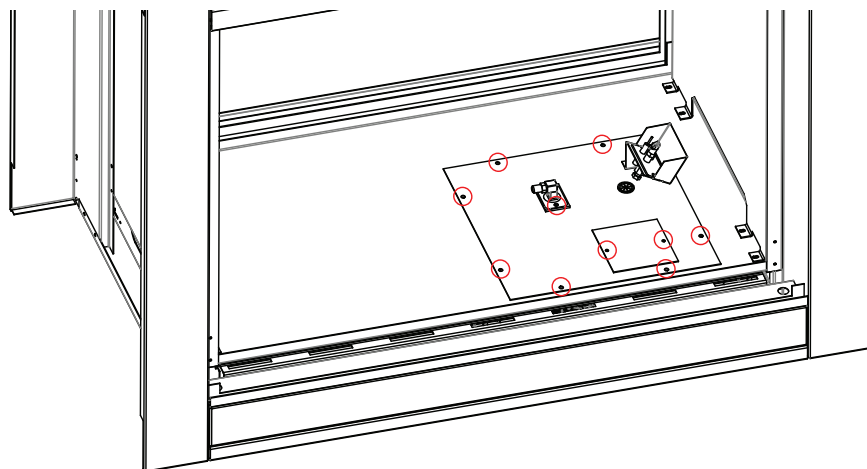
13.5 valve train replacement

- A. Remove the safety screen and main door(s). See "main safety barrier removal / installation" and "main door removal / installation" sections for detailed removal instructions.
- B. Remove the burners, see "burner removal" section.
- C. Remove the 12 screws holding the valve train in place, as shown below.

note:

A new gasket may be required when reinstalling the valve train assembly. Contact your local authorized dealer/distributor.

- D. Carefully lift the valve train assembly out far enough to access the manual shut off valve and turn to the off position. Disconnect the flex connector from the valve. You may now lift the valve train out of the appliance.



! WARNING

- Failure to position the parts in accordance with this manual or failure to use only parts specifically approved with this appliance may result in property damage or personal injury.
- **This is a fast acting thermocouple. It is an integral safety component. Replace only with a fast acting supplied by Wolf Steel Ltd.

Contact your dealer for questions concerning prices and policies on replacement parts. Normally, all parts can be ordered through your Authorized dealer / distributor.

For warranty replacement parts, a photocopy of the original invoice will be required to honour the claim.

When ordering replacement parts always give the following information:

- Model & Serial Number of appliance
- Installation date of appliance
- Part number
- Description of part
- Finish

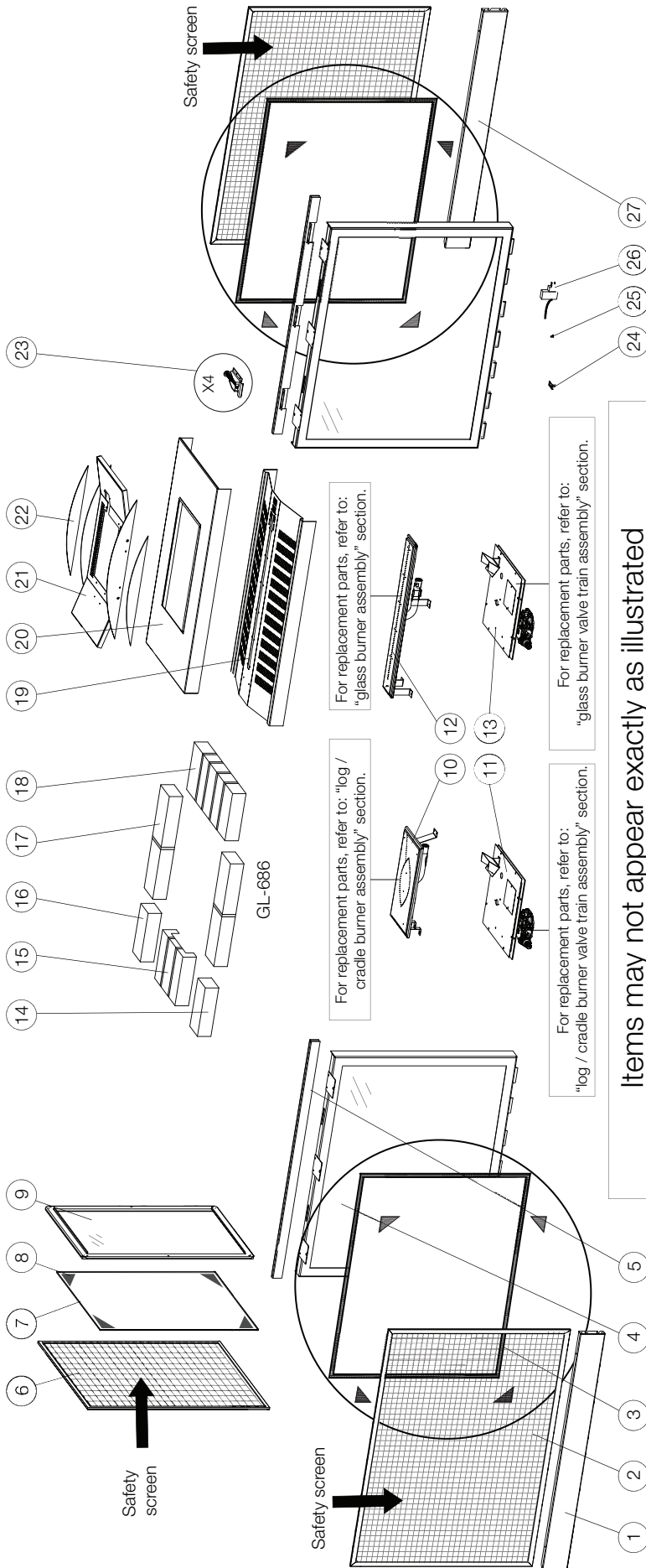
Parts, part numbers, and availability are subject to change without notice.

Parts identified as stocked will be delivered within 2 to 5 business days for most delivery destinations.

Parts not identified as stocked will be delivered within a 2 to 4 week period, for most cases.

Parts identified as 'SO' are special order and can take up to 90 days for delivery

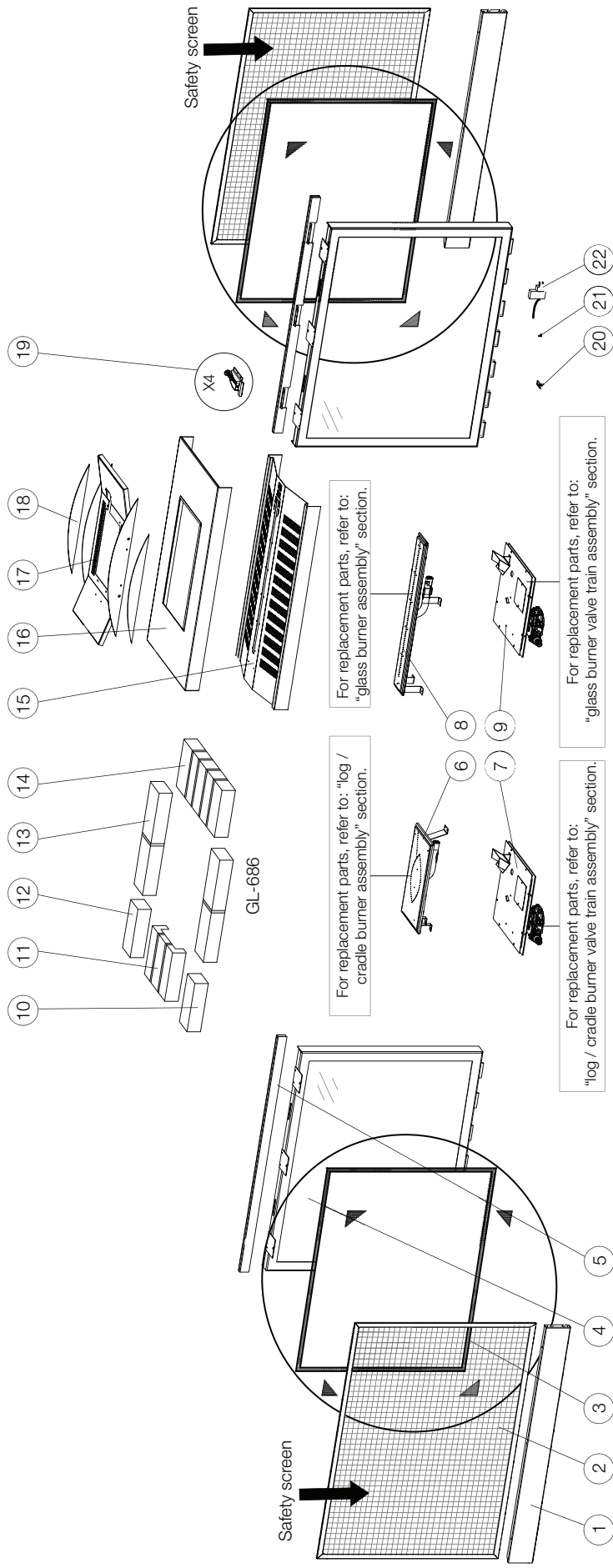
14.1 BHD4P overview



Items may not appear exactly as illustrated

Ref. No.	Part number	Description	Stocked	Ref. No.	Part number	Description	Stocked
1	W010-3209-SER	(RS) Control panel assembly		15	W333-0020	Notched hearth pad #3 (GL-686)	Yes
2	W565-0264-SER	Main door safety barrier		16	W333-0024	Side hearth pad #1A (GL-686)	Yes
3	W562-0068	Door gasket assembly	Yes	17	W333-0023	Middle hearth pad #2 (GL-686)	Yes
4	W010-3205	Main door assembly	Yes	18	W333-0022	End hearth pad #4 (GL-686)	Yes
5	W010-3192-SER	Screen retainer assembly		19	W710-0059-SER	Glass media tray	
6	W565-0265-SER	End door safety barrier		20	W655-0561-SER	Media bowl support	
7	W562-0007	End door gasket		21	W010-3481	Media bowl assembly	
8	W667-0018-SER	Corner door gasket	Yes	22	W010-2997	Media bowl trim assembly	
9	W010-2898	End door assembly	Yes	23	W010-2829	Door latch assembly	
10	W100-0161-SER	Log / cradle burner assembly	Yes	24	W080-1395	ACS switch bracket	Yes
11	W010-3207	Log / cradle burner valve train assembly	Yes	25	W750-0191	ACS switch	Yes
12	W100-0160	Glass burner assembly	Yes	26	W707-0010	Transformer	Yes
13	W010-3206	Glass burner valve train assembly	Yes	27	W010-3208-SER	(L-S) Control panel assembly	Yes
14	W333-0021	Side hearth pad#1 (GL-686)	Yes				

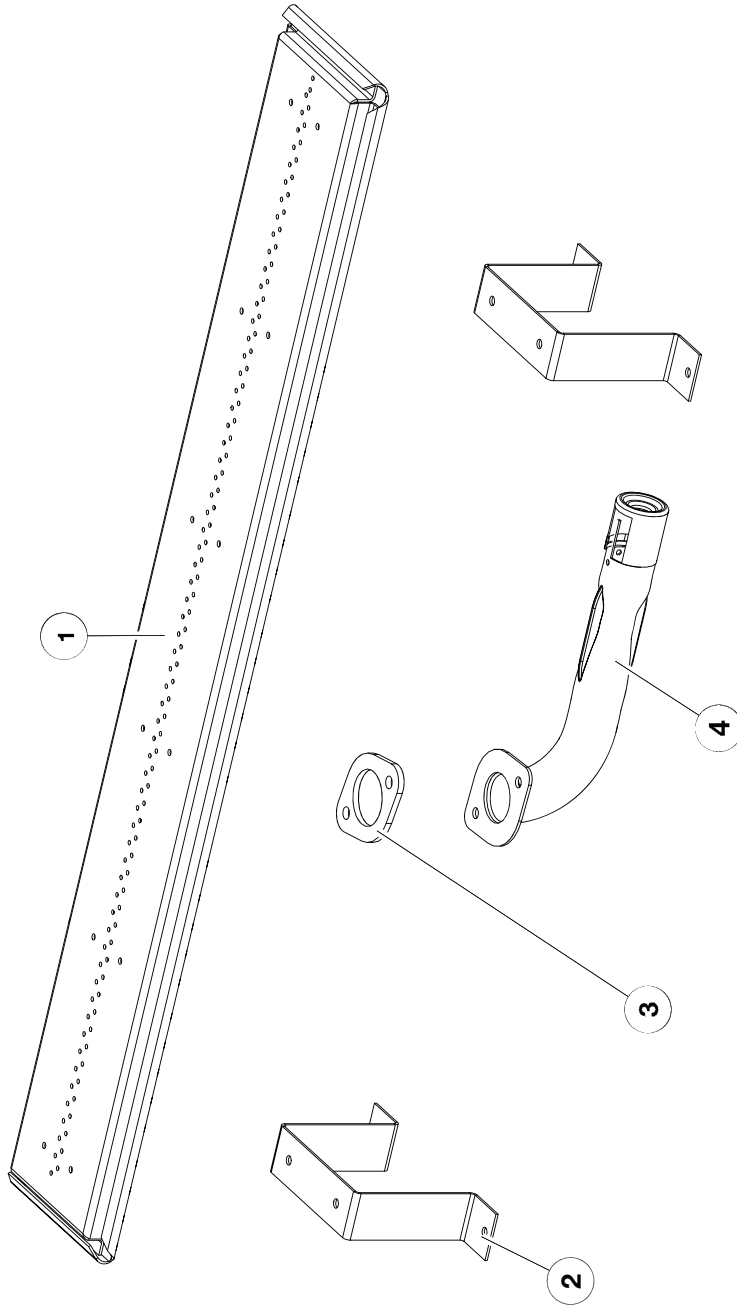
14.2 BHD4ST overview



Items may not appear exactly as illustrated

Ref. No.	Part number	Description	Stocked	Ref. No.	Part number	Description	Stocked
1	W475-0928-SER	Control access panel		12	W333-0024	Side hearth pad #1A (GL-686)	Yes
2	W565-0263-SER	Main door safety barrier		13	W333-0023	Middle hearth pad #2 (GL-686)	Yes
3	W562-0068	Door gasket assembly	Yes	14	W333-0022	End hearth pad #4 (GL-686)	Yes
4	W010-3205	Main door assembly	Yes	15	W710-0059-SER	Glass media tray	
5	W010-3191-SER	Screen retainer assembly		16	W655-0561-SER	Media bowl support	
6	W100-0161-SER	Log / cradle burner assembly	Yes	17	W010-3481	Media bowl assembly	
7	W010-3207	Log / cradle burner valve train assembly	Yes	18	W010-2997	Media bowl trim assembly	
8	W100-0160	Glass burner assembly	Yes	19	W010-2829	Door latch assembly	
9	W010-3206	Glass burner valve train assembly	Yes	20	W080-1395	ACS switch bracket	
10	W333-0021	Side hearth pad #1 (GL-686)	Yes	21	W750-0191	ACS switch	Yes
11	W333-0020	Notched hearth pad #3 (GL-686)	Yes	22	W707-0010	Transformer	Yes

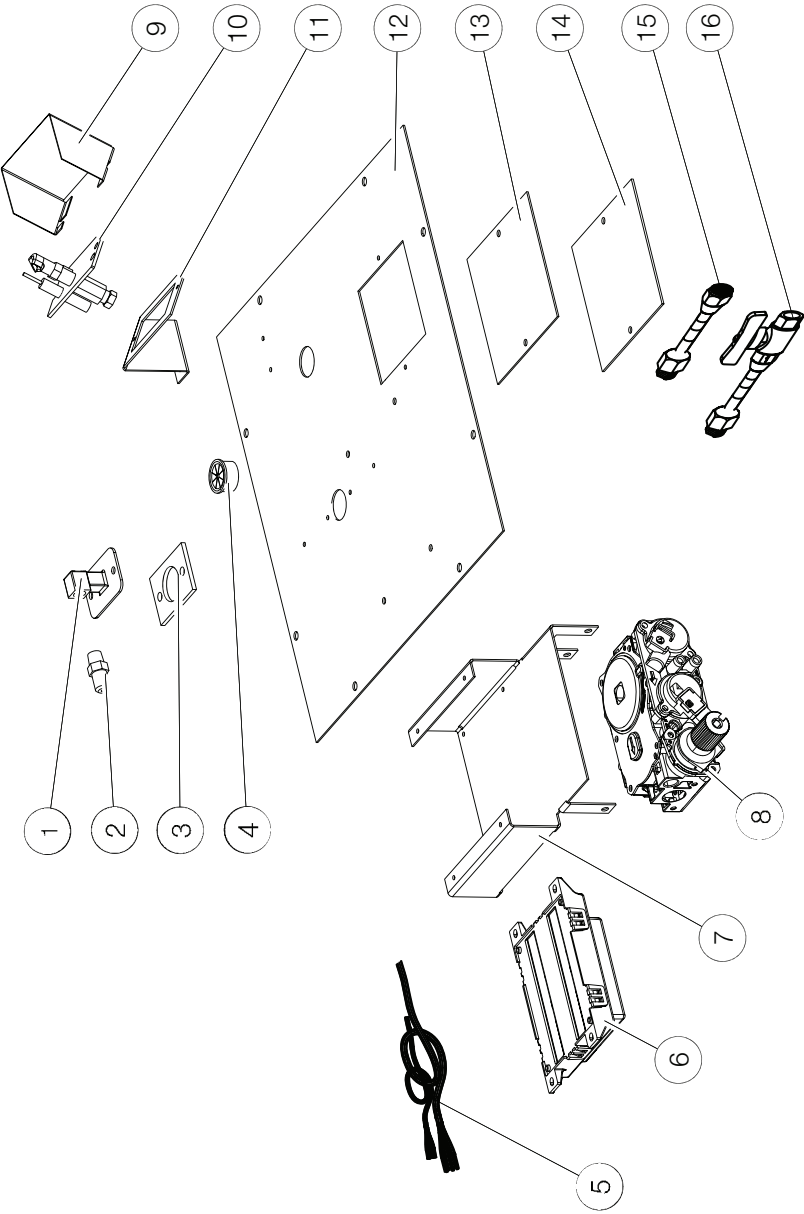
14.3 glass burner assembly



Items may not appear exactly as illustrated.

Ref. No.	Part number	Description	Stocked
1	W010-2954-SER	Burner assembly	Yes
2	W080-1400-SER	Burner bracket	
3	W290-0018	Venturi gasket	Yes
4	W720-0005	Venturi	

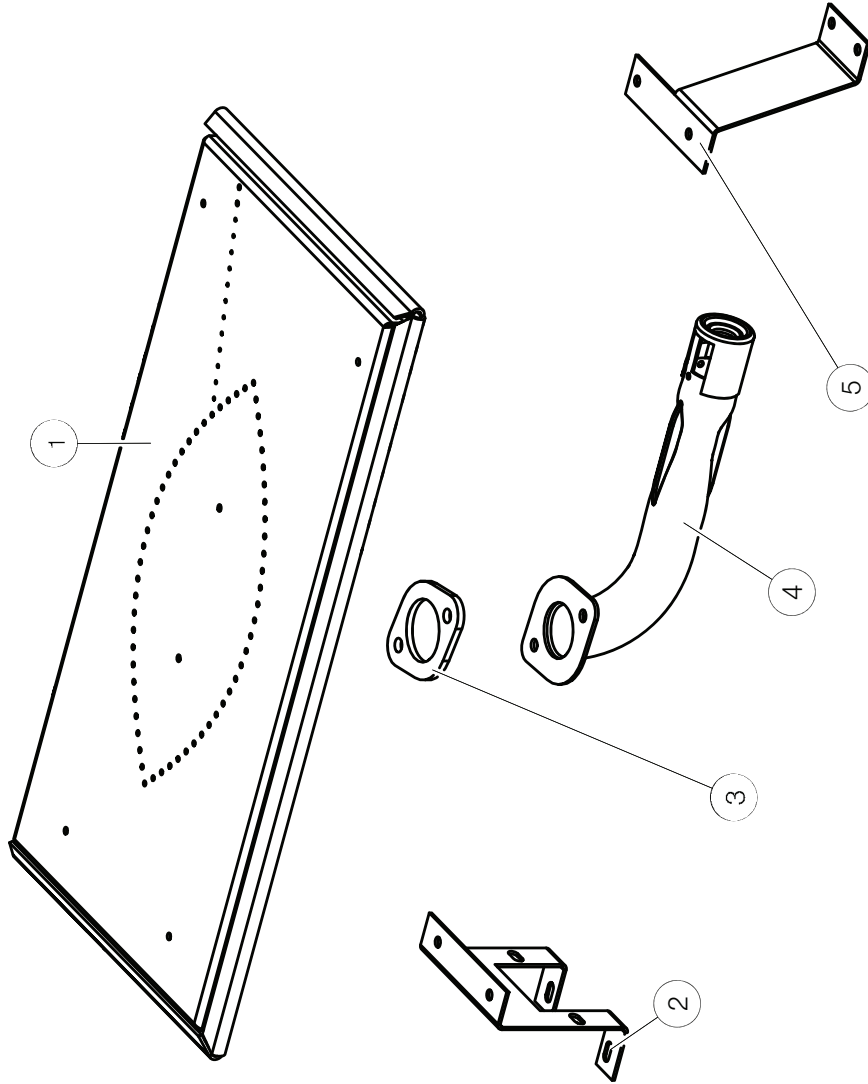
14.4 glass burner valve train assembly



Items may not appear exactly as illustrated

Ref. No.	Part number	Description	Stocked	Ref. No.	Part number	Description	Stocked
1	W432-0103	Gas manifold		9	W585-0790-SER	Pilot shield	
2	W456-0037	Burner orifice #37 (NG)	Yes	10	W010-3024	Pilot assembly (NG)	Yes
2	W456-0052	Burner orifice #52 (P)	Yes	10	W010-3024	Pilot assembly (P)	Yes
3	W290-0157	Manifold gasket	Yes	11	W080-1304-SER	Pilot bracket	
4	W105-0001	Bushing		12	W035-0337-SER	Valve train base	
5	W010-1985	Wire harness assembly	Yes	13	W200-0456	Valve access cover	
6	W190-0175	Control board	Yes	14	W290-0247	Valve access gasket	Yes
7	W080-1366	Valve bracket		15	W175-0311	3/8" Flex connector	
8	W725-0065	Valve (NG)	Yes	16	W175-0217	Flex connector c/w valve	Yes
8	W725-0066	Valve (P)	Yes				

14.5 log / cradle burner assembly

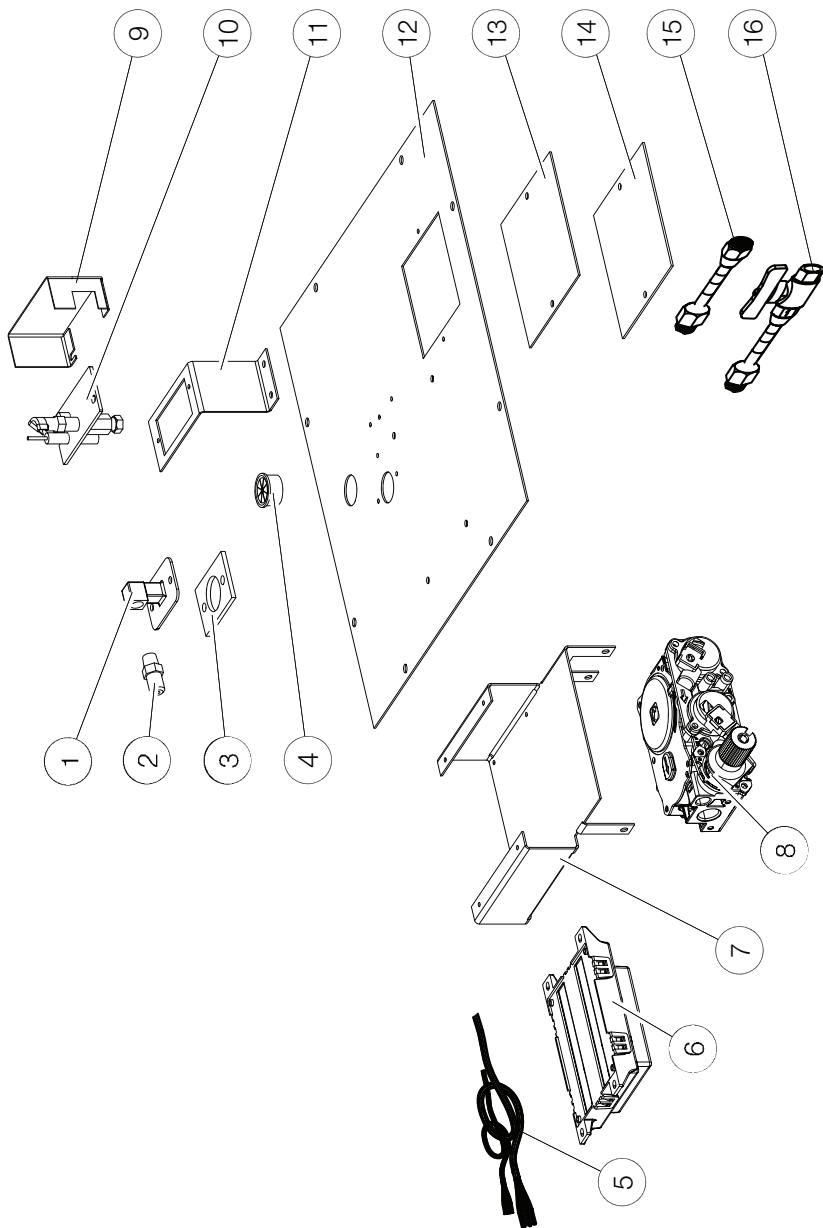


Items may not appear exactly as illustrated

Ref. No.	Part number	Description	Stocked
1	W010-2955	Burner assembly	Yes
2	W080-1463	Burner bracket	
3	W290-0018	Venturi gasket	Yes

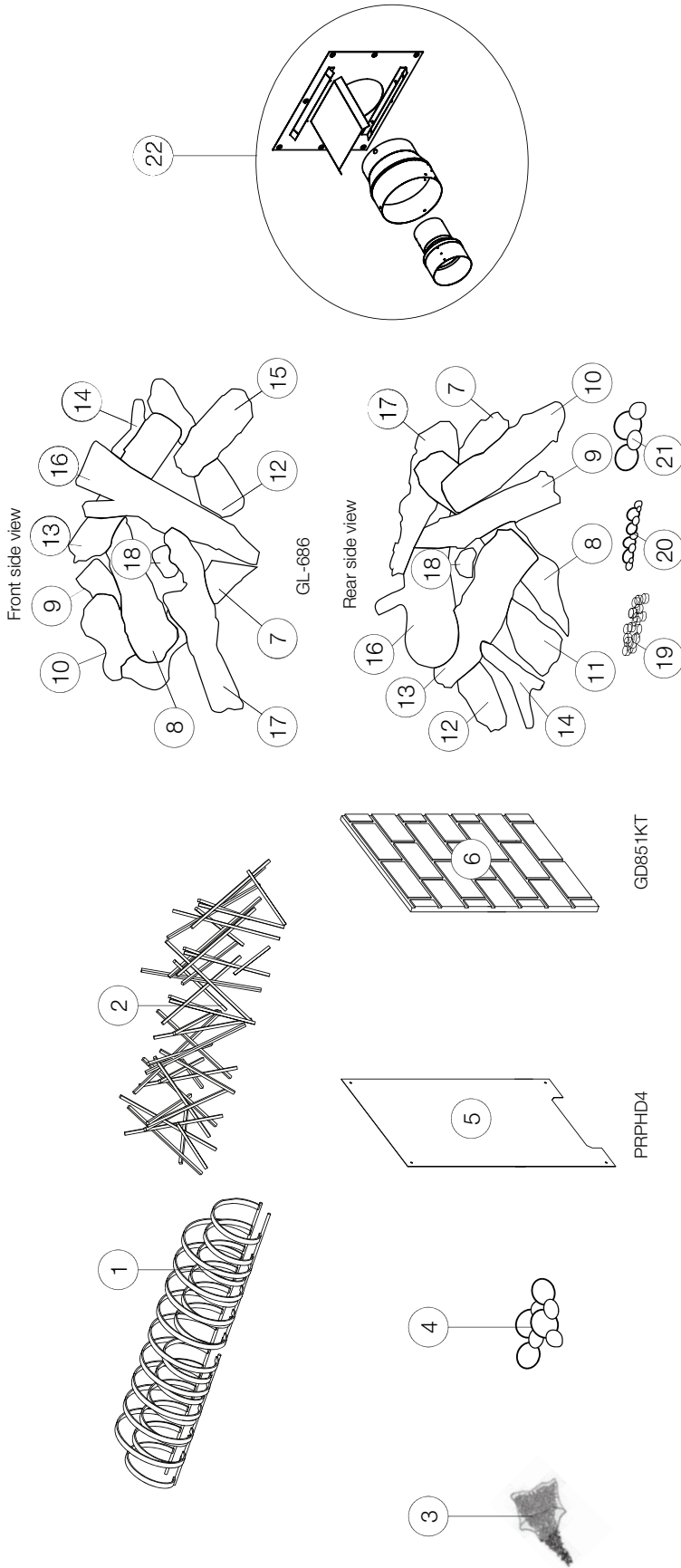
Ref. No.	Part number	Description	Stocked
4	W720-0005	Venturi	
5	W080-1399	Burner bracket	

14.6 log / cradle burner valve train assembly



Items may not appear exactly as illustrated

Ref. No.	Part number	Description	Stocked	Ref. No.	Part number	Description	Stocked
1	W432-0103	Gas manifold		9	W350-0840	Pilot housing	
2	W456-0037	Burner orifice #37 (NG)	Yes	10	W010-3024	Pilot assembly (NG)	Yes
2	W456-0052	Burner orifice #52 (P)	Yes	10	W010-3024	Pilot assembly (P)	Yes
3	W290-0157	Manifold gasket	Yes	11	W080-1372	Pilot bracket	
4	W105-0001	Bushing		12	W035-0338	Valve train base	
5	W010-1985	Wire harness assembly	Yes	13	W200-0456	Valve access cover	
6	W190-0175	Control board	Yes	14	W290-0247	Access gasket	Yes
7	W080-1366	Valve bracket		15	W175-0311	3/8" Flex connector	
8	W725-0065	Valve (NG)	Yes	16	W175-0217	Flex connector c/w valve	Yes
8	W725-0066	Valve (P)	Yes				



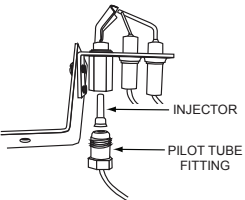
Items may not appear exactly as illustrated

Ref. No.	Part number	Description	Stocked
1	LDAC	Designer fire art coil design	
2	LDNS	Designer fire art nickel stix	
3	MKG_	Glass Bead Media Kit (Various colors)	
3	MKB_	Glass Embers Media Kit (Various colors)	
4	MRKM	Mineral rock kit	
5	PRPHD4	Porcelain Reflective Radiant Panel End	
6	GD851KT	Decorative Brick Panel End Newport	Yes
7	W135-0527	Log #1	Yes
8	W135-0528	Log #2	Yes
9	W135-0529	Log #3	Yes
10	W135-0530	Log #4	Yes

Ref. No.	Part number	Description	Stocked
11	W135-0531	Log #5	Yes
12	W135-0532	Log #6	Yes
13	W135-0533	Log #7	Yes
14	W135-0534	Log #8	Yes
15	W135-0535	Log #9	Yes
16	W135-0536	Log #10	Yes
17	W135-0537	Log #11	Yes
18	W135-0540	Charcoal chunk #12	Yes
19	W361-0016	Glowing embers	Yes
20	W550-0001	Charcoal embers	Yes
21	W550-0002	Charcoal lumps	Yes
22	A4758AK	5/8" to 4/7" adaptor kit	Yes

! WARNING

- Always light the pilot whether for the first time or if the gas supply has run out, with the glass door open or removed.
- Turn off gas and electrical power before servicing the appliance.
- Appliance may be hot. Do not service until appliance has cooled.
- Do not use abrasive cleaners

symptom	problem	test solution															
Main burner flame is a blue, lazy, transparent flame. (This is not applicable in outdoor appliances)	Blockage in vent. Incorrect installation.	- Remove blockage. In really cold conditions, ice buildup may occur on the terminal and should be removed as required. (To minimize this from reoccurring, the vent lengths that pass through unheated spaces (attics, garages, crawl spaces) should be wrapped with an insulated mylar sleeve). - Refer to "venting" section to ensure correct installation.															
Flames are consistently too large or too small. Carboning occurs.	Appliance is over-fired or under-fired.	- Check pressure readings: Inlet pressure can be checked by turning screw (A) counter-clockwise 2 or 3 turns and then placing pressure gauge tubing over the test point. Gauge should read as described on the chart below. Check that main burner is operating on 'HI'. Outlet pressure can be checked the same as above using screw (B). Gauge should read as described on the chart below. Check that main burner is operating on 'HI'. After taking pressure readings, be sure to turn screws clockwise firmly to reseal. DO NOT OVER TORQUE. Leak test with a soap and water solution.															
		<table border="1"> <thead> <tr> <th>Pressure</th> <th>Natural Gas (inches)</th> <th>Natural Gas (millibars)</th> <th>Propane (inches)</th> <th>Propane (millibars)</th> </tr> </thead> <tbody> <tr> <td>Inlet</td> <td>*7" (minimum 4.5")</td> <td>17.4mb (minimum 11.2mb)</td> <td>13" (minimum 11")</td> <td>32.4mb (minimum 27.4mb)</td> </tr> <tr> <td>Outlet</td> <td>3.5"</td> <td>8.7mb</td> <td>10"</td> <td>24.9mb</td> </tr> </tbody> </table> <p style="text-align: center;">*Maximum inlet pressure not to exceed 13" w.c.</p>	Pressure	Natural Gas (inches)	Natural Gas (millibars)	Propane (inches)	Propane (millibars)	Inlet	*7" (minimum 4.5")	17.4mb (minimum 11.2mb)	13" (minimum 11")	32.4mb (minimum 27.4mb)	Outlet	3.5"	8.7mb	10"	24.9mb
Pressure	Natural Gas (inches)	Natural Gas (millibars)	Propane (inches)	Propane (millibars)													
Inlet	*7" (minimum 4.5")	17.4mb (minimum 11.2mb)	13" (minimum 11")	32.4mb (minimum 27.4mb)													
Outlet	3.5"	8.7mb	10"	24.9mb													
	Air shutter improperly adjusted.	- Return air shutter to specified opening, see " venturi adjustments " section in the installation manual.															
Carbon is being deposited on glass, logs, rocks, media, or combustion chamber surfaces.	Air shutter is blocked. Flame is impinging on the glass, logs, rocks, media or combustion chamber.	- Ensure air shutter opening is free of lint or other obstructions. - Ensure the media is positioned correctly in the appliance. - Open air shutter to increase the primary air. - Check the input rate: check the manifold pressure and orifice size as specified by the rating plate. - Ensure door gaskets are not broken or missing and the seal is tight. - Ensure vent liners are free of holes and well sealed at all joints. - Check that minimum rise per foot (meters) has been adhered to for any horizontal venting.															
White / grey film forms.	Sulphur from fuel is being deposited on glass, logs, or combustion chamber surfaces.	- Clean the glass with a recommended gas fireplace glass cleaner. DO NOT CLEAN GLASS WHEN HOT. - If deposits are not cleaned off regularly, the glass may become permanently marked.															
Exhaust fumes smelled in room, headaches. (This is not applicable in outdoor appliances).	Appliance is spilling.	- Check door seal. - Check for exhaust damage. - Check that venting is installed correctly. - Room is in negative pressure; increase fresh air supply.															

symptom	problem	test solution
Pilot will not light. Makes noise with no spark at pilot burner.	Wiring: short, loose, or damaged connections (poor flame rectification).	<ul style="list-style-type: none"> - Verify the thermocouple/sensor is clean and the wiring is undamaged. - Verify the interrupter block is not damaged or too tight. Verify connections from pilot assembly are tight; also verify the connections are not grounding out to any metal. (Remember, the flame carries the rectification current, not the gas. If flame lifts from pilot hood, the circuit is broken. A wrong orifice or too high of an inlet pressure can cause the pilot flame to lift)*. The sensor rod may need cleaning.
	No signal from remote with no pilot ignition.	<ul style="list-style-type: none"> - Reprogram receiver code. - Replace receiver.
	Poor grounding.	<ul style="list-style-type: none"> - Verify the valve / pilot assembly are properly grounded
	Improper switch wiring.	<ul style="list-style-type: none"> - Troubleshoot the system with the simplest on/off switch.
	Dirty, painted, or damaged pilot and/or dirty sensor rod.	<ul style="list-style-type: none"> - Clean sensor rod with a green Scotch-Brite™ pad to remove any contamination that may have accumulated. Verify continuity with multimeter with ohms set at the lowest range.
Pilot sparks but will not light.	Gas supply.	<ul style="list-style-type: none"> - Verify that the incoming gas line ball valve is “open”. - Verify that the inlet pressure reading is within acceptable limits, inlet pressures must not exceed 13” W.C. (32.4mb).
	Out of propane gas.	<ul style="list-style-type: none"> - Fill the tank.
	Pilot supply line may contain air.	<ul style="list-style-type: none"> - Repeat ignition process several times or purge the pilot supply line.
	Incorrect wiring / grounding.	<ul style="list-style-type: none"> - Ensure correct polarity of wiring of thermocouple (if equipped). - Verify pilot assembly / valve are properly grounded.
	Receiver (if equipped).	<ul style="list-style-type: none"> - Reset program: hold reset button on receiver and wait for 2 beeps. Release after second beep. Press small flame button on remote within 20 seconds, you will hear an additional beep (this signals a successful reset). - Replace receiver.
	Valve.	<ul style="list-style-type: none"> - Check valve and replace if necessary (Do not to overtighten thermocouple).
Burner continues to spark and pilot lights but main burner does not light.	Short or loose connection in sensor rod.	<ul style="list-style-type: none"> - Verify all connections. Verify the connections from the pilot assembly are tight. Also, verify these connections are not grounding out to any metal.
	Dirty, painted, or damaged pilot assembly components.	<ul style="list-style-type: none"> - Clean using a green Scotch-Brite™ pad to remove any contamination that may have accumulated on the sensor rod, pilot hood, ignitor, or flame sensor. Verify continuity with multimeter with ohms set at the lowest range.
Remote wall switch is in “off” position; burner comes on.	Wall switch mounted upside down.	<ul style="list-style-type: none"> - Reverse.
	Remote wall switch and/or wire is grounding.	<ul style="list-style-type: none"> - Replace. - Check for ground (short); repair ground or replace wire.
	Faulty wire	<ul style="list-style-type: none"> - Replace.
Remote and / or receiver is not functioning properly.	Remote controls lights but no spark or flame. (Remote is locked out).	<ul style="list-style-type: none"> - Reset by turning power source off then on. <div style="border: 1px solid black; padding: 2px; margin-top: 5px;"> <p>note: If back up batteries are installed, they must also be removed to re-program</p> </div>
	Receiver or remote has low battery.	<ul style="list-style-type: none"> - Replace batteries.
	Appliance functions but does not respond to receiver / remote	<ul style="list-style-type: none"> - Ensure appliance is being operated by the same device that turned it on. Remote controls function if appliance was turned on by remote. Receiver controls function if appliance was turned on by receiver.
	Error with synchronizing.	<ul style="list-style-type: none"> - Reset receiver and remote.
	Remote too far away from receiver.	<ul style="list-style-type: none"> - Refer to “wiring diagram” section.
	Wire connector pins are bent.	<ul style="list-style-type: none"> - Straighten pins.
	Valve wiring is damaged.	<ul style="list-style-type: none"> - Replace valve.

symptom	problem	test solution
Lights or blower won't function (if equipped).	Control module switch in wrong position.	- Verify ON/OFF switch is in the "I" position which denotes on.
	COM switch is unplugged.	- Verify "COM" switch is plugged into the front of the control module.
Flames are very aggressive.	Door is ajar.	- Ensure door is secured properly.
	Venting action is too great.	- Check to ensure venting is properly sealed or restrict vent exit with restrictor plate. (Not available in all appliances).
Appliance won't perform any functions.	No power to the system.	- Check breaker to verify it's in the "on" position.
	Receiver switch in wrong position (if equipped).	- Verify that the 3 position switch on the receiver is in the remote position (middle).
	Transmitter isn't operational.	- Check battery power and battery orientation.

The following applies specifically to the SIT system only:

Pilot will not light. Makes no noise with no spark at pilot burner. (Lights and blower operate, if equipped).	Ignition box has been locked out.	Choose one of the 3 methods below to reset the system. <ol style="list-style-type: none"> 1. To reset ignition box when locked out. Turn off power supply and remove batteries (if used) from the back up battery pack. 2. To reset the DFC Board when the board goes into a lock out condition and the LED is blinking 3 times using the transmitter on/off button: <ul style="list-style-type: none"> Step 1: Turn the system off by pressing the on/off button to turn the system off. Step 2: After approximately 2 seconds press the on/off button on the transmitter again. The DFC Board will reset and the ignition sequence will start again. 3. To reset the DFC Board when the board goes into a lock out condition and the LED is blinking 3 times by cycling flame: <ul style="list-style-type: none"> Step 1: In the manual flame control mode, use the down arrow button to reduce the flame to off, indicated by the word OFF displayed on the transmitter LCD screen. Step 2: Wait approximately 2 seconds and press the up arrow button, the ignition sequence will start.
---	-----------------------------------	---

note:

Starting from **off**, press the **on** button on the transmitter. After approximately 4 seconds **on/off** button is pressed, the ignition board will start the spark. The attempt for ignition will last approximately 60 seconds. If there is no flame ignition (rectification), the board will stop sparking and the board will go into lock out.

17.0 warranty

Napoleon products are manufactured under the strict Standard of the world recognized ISO 9001 : 2015 Quality Management System.

Napoleon products are designed with superior components and materials assembled by trained craftsmen who take great pride in their work. The burner and valve assembly are leak and test-fired at a quality test station. The complete appliance is again thoroughly inspected by a qualified technician before packaging to ensure that you, the customer, receive the quality product that you expect from Napoleon.

Napoleon Gas Appliance President's Lifetime Limited Warranty

The following materials and workmanship in your new Napoleon gas appliance are warranted against defects for as long as you own the appliance. This covers: combustion chamber, heat exchanger, stainless / steel burner, Phazer™ logs and embers, rocks, ceramic glass (thermal breakage only), gold plated parts against tarnishing, porcelainized enameled components and aluminum extrusion trims.*

Electrical (110V and millivolt) components and wearable parts are covered and Napoleon will provide replacement parts free of charge during the first year of the limited warranty. This covers: blowers, gas valves, thermal switches, switches, wiring, remote controls, ignitors, gaskets and pilot assemblies.*

Labour related to warranty repair is covered free of charge during the first year (labour warranty is not applicable for the Gas Log Sets). Repair work, however, requires the prior approval of an authorized company official. Labour costs to the account of Napoleon are based on a predetermined rate schedule and any repair work must be done through an authorized Napoleon dealer.

* Construction of models vary. Warranty applies only to components included with your specific appliance.

Conditions and Limitations

Napoleon warrants its products against manufacturing defects to the original purchaser only. Registering your warranty is not necessary. Simply provide your proof of purchase along with the model and serial number to make a warranty claim. Napoleon reserves the right to have its representative inspect any product or part thereof prior to honouring any warranty claim. Provided that the purchase was made through an authorized Napoleon dealer your appliance is subject to the following conditions and limitations:

Warranty coverage begins on the date of original installation. This factory warranty is non-transferable and may not be extended whatsoever by any of our representatives. The gas appliance must be installed by a licensed, authorized service technician or contractor qualified and authorized installer, service agency or supplier. Installation must be done in accordance with the installation instructions included with the product and all local and national building and fire codes. This limited warranty does not cover damages caused by misuse, lack of maintenance, accident, alterations, abuse or neglect, and parts installed from other manufacturers will nullify this warranty. This limited warranty further does not cover any scratches, dents, corrosion or discoloring caused by excessive heat, abrasive and chemical cleaners nor chipping on porcelain enamel parts, mechanical breakage of Phazer™ logs and embers. This warranty extends to the repair or replacement of warranted parts which are defective in material or workmanship provided that the product has been operated in accordance with the operation instructions and under normal conditions. After the first year, with respect to this President's Lifetime Limited Warranty, Napoleon may, at its discretion, fully discharge all obligations with respect to this warranty by refunding to the original warranted purchaser the wholesale price of any warranted but defective part(s).

After the first year, Napoleon will not be responsible for installation, labour, or any other expenses related to the reinstallation of a warranted part and such expenses are not covered by this warranty. Notwithstanding any provisions contained in the President's Lifetime Limited Warranty, Napoleon's responsibility under this warranty is defined as above and it shall not in any event extend to any incidental, consequential or indirect damages. This warranty defines the obligations and liability of Napoleon with respect to the Napoleon gas appliance and any other warranties expressed or implied with respect to this product, its components or accessories are excluded. Napoleon neither assumes, nor authorizes any third party to assume, on its behalf, any other liabilities with respect to the sale of this product. Napoleon will not be responsible for: over-firing, downdrafts, spillage caused by environmental conditions such as rooftops, buildings, nearby trees, hills, mountains, inadequate vents or ventilation, excessive venting configurations, insufficient makeup air, or negative air pressures which may or may not be caused by mechanical systems such as exhaust fans, furnaces, clothes dryers, etc. Any damages to the appliance, combustion chamber, heat exchanger, plated trim or other components due to water, weather damage, long periods of dampness, condensation, damaging chemicals or cleaners will not be the responsibility of Napoleon.

During the first 10 years Napoleon will replace or repair the defective parts covered by the lifetime warranty at our discretion free of charge. From 10 years to life, Napoleon will provide replacement parts at 50% of the current retail price. The manufacturer may require that defective parts or products be returned or that digital pictures be provided to support the claim. Returned products are to be shipped prepaid to the manufacturer for investigation. If a product is found to be defective, the manufacturer will repair or replace such defect. Before shipping your appliance or defective components, your dealer must obtain an authorization number. Any merchandise shipped without authorization will be refused and returned to sender. Shipping costs are not covered under this warranty. Additional service fees may apply if you are seeking warranty service from a dealer. Warranty labour allowance is only for the replacement of the warranted part. Travel, diagnostic tests, shipping and other related charges are not covered by this warranty.

All specifications and designed are subject to change without prior notice due to on-going product improvements. Napoleon is a registered trademark of Wolf Steel Ltd.

Appliance Service History

This appliance must be serviced annually depending on usage.

Date	Dealer Name	Service Technician Name	Service Performed	Special Concerns

NAPOLEON CELEBRATING OVER 40 YEARS OF HOME COMFORT PRODUCTS



7200, Route Transcanadienne, Montréal, Québec H4T 1A3
24 Napoleon Road, Barrie, Ontario, Canada L4M 0G8
214 Bayview Drive, Barrie, Ontario, Canada L4N 4Y8
103 Miller Drive, Crittenden, Kentucky, USA 41030

Phone: 1-866-820-8686
napoleon.com



MANUEL D'INSTALLATION ET D'OPÉRATION

CONSIGNES DE SÉCURITÉ

! AVERTISSEMENT

RISQUE D'INCENDIE OU D'EXPLOSION

Incapacité à suivre ces avertissements exactement peuvent entraîner de grave blessures, des pertes de vie ou des dommages matériels.

- N'entreposez pas et n'utilisez pas d'essence ou autres liquides et vapeurs inflammables à proximité de cet appareil ou tout autre appareil.

- QUE FAIRE SI VOUS DÉTECTEZ UN ODEUR DE GAZ:

- N'allumez aucun appareil.
- Ne touchez à aucun interrupteur électrique; n'utilisez aucun téléphone dans votre immeuble.
- Appelez immédiatement votre fournisseur de gaz d'un téléphone voisin. Suivez ses instructions.
- Si vous ne pouvez pas rejoindre votre fournisseur de gaz, appelez le service des incendies.

- L'installation et l'entretien doivent être faits par un installateur qualifié, une agence d'entretien ou le fournisseur.

Cet appareil peut être installé dans une maison préfabriquée (mobile) déjà installée à demeure si les règlements locaux le permettent.

Cet appareil doit être utilisé uniquement avec le type de gaz indiqué sur la plaque d'homologation. Cet appareil ne peut être converti à d'autres gaz, sauf si une trousse de conversion est utilisée.

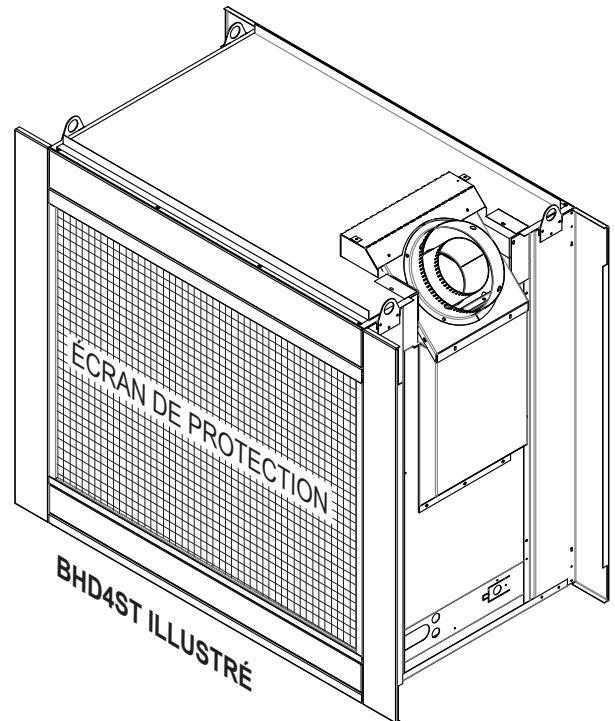
INSTALLATEUR:

Laissez ce manuel avec l'appareil

PROPRIÉTAIRE:

Conservez ce manuel pour consultation ultérieure

Ascent^{MD} Multiface (BHD4ST illustré)



POUR USAGE INTÉRIEUR SEULEMENT

**CERTIFIÉ SELON LES NORMES NATIONALES CANADIENNES ET AMÉRICAINES:
CSA 2.22 ET ANSI Z21.50 POUR LES APPAREILS À GAZ DÉCORATIF À ÉVACUATION**



AVERTISSEMENT

- **Cet appareil est chaud lorsqu'il fonctionne et peut causer de graves brûlures en cas de contact.**
- **Toute modification apportée à cet appareil ou aux contrôles peut être dangereuse et est interdit.**
- Ne faites pas fonctionner l'appareil avant d'avoir lu et compris les instructions d'opération. Omettre d'utiliser l'appareil selon les instructions d'opération pourrait causer un incendie ou des blessures.
- S'assurez que la porte vitrée est ouvert ou retiré de l'appareil lorsque vous allumer le pilote pour la première fois et lorsque le gaz est épuisé.
- Risque d'incendie ou d'asphyxie, ne faites pas fonctionner l'appareil avec la vitre retirée et jamais obstruer l'ouverture sur le devant de l'appareil.
- Ne branchez pas la soupape à du courant 110 volts, avec les exception de modèles; GSST8 et GT8.
- Risque de brûlures. L'appareil doit être éteint et refroidi avant d'effectuer un entretien.
- N'installez pas de composants endommagés ou incomplets ni des composants substitués.
- Risque de coupures et d'éraflures. Portez des gants protecteurs, des chaussures de protection et des lunettes de sécurité lors de l'installation. Les bordures des pièces de métal peuvent être coupantes.
- Ne brûlez pas de bois ou autres matériaux dans cet appareil.
- Assurez-vous d'une quantité suffisante d'air de combustion et de ventilation. Prévoyez un accès suffisant pour entretenir et opérer l'appareil.
- Haute pression endommagera la soupape. Débrancher la tuyauterie d'alimentation en gaz avant de tester la pression de ligne de gaz à la pression d'essai au-dessus de 1/2 psig. Fermer l'arrêt manuelle du soupape avant de tester la pression de ligne de gaz à la pression égale ou inférieure à 1/2psig (35mb).
- L'appareil ne doit pas être utilisé au températures au-dessous de zero (32°F / 0°C). Permettre à l'appareil pour réchauffer au-dessus de zero avant le fonctionnement, avec l'exception de modèles; GSS36, GSS42; ces appareil sont adaptés pour 0°F / -18°C.
- **Les enfants et les adultes devraient être informés des dangers que posent les températures de surface élevées et se tenir à distance afin d'éviter des brûlures ou que leurs vêtements ne s'enflamment.**
- **Les jeunes enfants doivent être surveillés attentivement lorsqu'ils sont dans la même pièce que l'appareil. Les jeunes enfants et autres personnes à risque sont sujets aux brûlures accidentelles. Une barrière de protection est recommandée si des individus à risque se trouvent dans la maison. Afin de restreindre l'accès à l'appareil, installez une barrière de protection ajustable pour garder les jeunes enfants ou autres personnes à risque hors de la pièce et loin des surfaces chaudes.**
- **Les vêtements et autres matériaux combustibles ne doivent pas être posés sur l'appareil ou à proximité.**
- **En raison des températures élevées, l'appareil devrait être placé loin des endroits passants et loin des meubles et des rideaux.**
- Les meubles ou autres objets doivent être gardés à une distance d'au moins 4 pieds (1.22m) du devant de l'appareil.
- Assurez-vous de disposer de mesures de sécurité adéquates pour empêcher les jeunes enfants de toucher aux surfaces chaudes.
- Même une fois que l'appareil est éteint, l'appareil demeurera chaud pendant un temps prolongé.
- Consultez votre détaillant local de l'appareil pour connaître les écrans de protection et les protection du foyer offerts pour protéger les enfants des surfaces chaudes. Ces écrans de protection et les protection du foyer doivent être fixés au plancher.
- **Tout écrans de protection, garde ou barrière enlevés pour faire l'entretien devront être remis en place avant d'utiliser l'appareil.**
- Il est primordial de garder propres les compartiments de contrôle, les brûleurs, la soufflerie, les bouches d'air de l'appareil ainsi que le système d'évacuation. L'appareil et son système d'évacuation doivent être inspectés avant la première utilisation et au moins une fois l'an par un spécialiste en entretien. Un entretien plus fréquent pourrait être nécessaire en raison des peluches provenant des tapis, literie, etc. L'emplacement de l'appareil doit être gardé libre de tous matériaux combustibles, essence ou autres liquides et vapeurs inflammables.
- Si l'appareil s'éteint, n'allume pas l'appareil jusqu'à ce que vous donner de l'air frais. Si l'appareil continue de s'éteindre, faire réparer. Garder propres le brûleur et le compartiment de contrôle.
- Cet appareil ne devra être modifié en aucun cas.
- Ne laissez pas les ventilateurs souffler directement sur l'appareil. Empêchez les courants d'air de modifier l'apparence de la flamme.

AVERTISSEMENT



LA VITRE CHAUDE CAUSERA DES BRÛLURES.

NE PAS TOUCHER LA VITRE AVANT QU'ELLE AIT REFROIDI.

NE JAMAIS LAISSER LES ENFANTS TOUCHER LA VITRE.

Une barrière conçu à réduire le risque de brûlures causées par le verre chaud est fourni avec l'appareil et sera installé pour la protection des enfants et d'autres personnes à risque.

AVERTISSEMENT

- N'utilisez pas une soufflerie intégrée, un échangeur de chaleur intégré ni un autre accessoire non approuvé pour cet appareil.
- Cet appareil ne doit pas être raccordé au conduit d'une cheminée desservant un autre appareil de chauffage à combustible solide.
- N'utilisez pas cet appareil si une partie quelconque a été submergée. Contactez immédiatement un technicien de service qualifié pour inspecter l'appareil et pour remplacer toute pièce du système de contrôle et du contrôle du gaz qui aurait été submergée.
- Ne pas opérer l'appareil lorsque la porte vitrée est enlevée, fissurée ou brisée. Le remplacement de la vitre devra être effectué par un technicien de service certifié ou qualifié, si équipé.
- Ne frappez pas et ne claquez pas la porte vitrée de l'appareil, si équipé.
- **Seulement les portes/façades certifiées pour l'appareil peuvent être utilisées avec cet appareil.**
- Gardez les matériaux d'emballage hors de la portée des enfants et mettez ces matériaux au rebut de façon sécuritaire. Comme tous les emballages de plastique, ces matériaux ne sont pas des jouets et doivent demeurer hors de la portée des enfants et des bébés.
- Le carbone ou la suie ne doit pas se produire dans un appareil sans événement car il peut être distribué dans une zone habitable de votre maison. Si vous remarquez des signes de carbone ou de suie, éteignez immédiatement votre appareil et arrangez-le pour le faire entretenir par un technicien qualifié avant de l'actionner à nouveau.
- Si équipé, l'écran doivent être (fermez) en place pendant le fonctionnement de l'appareil.
- Lorsque l'appareil est muni de portes d'évacuation de pression, elles doivent demeurer fermées pendant le fonctionnement de l'appareil afin d'empêcher les gaz de combustion contenant du monoxyde de carbone de s'infiltrer dans la maison. La température des gaz de combustion s'échappant par ces ouvertures peut aussi causer les matériaux combustibles avoisinants à surchauffer et à prendre feu.
- L'empoisonnement au monoxyde de carbone peut conduire à la mort; les premiers signes d'une intoxication au monoxyde de carbone ressemblent à la grippe, avec céphalées, vertiges et/ou des nausées. Si vous présentez ces signes, l'appareil peut ne pas fonctionner correctement. Obtenir l'air frais! Faire réparer l'appareil. Certaines personnes; les femmes enceintes, les personnes ayant une maladie cardiaque ou pulmonaire, anémie, ceux sous l'influence de l'alcool, ceux à haute altitude sont plus touchés par le monoxyde de carbone que d'autres. Défaut de garder l'ouverture d'air primaire(s) du brûleur(s) propre peut entraîner la formation de suies et dommages à la propriété.
- Comme dans le cas de tout appareil à combustion, il est recommandé de faire inspecter et entretenir votre appareil régulièrement. De même, installez un détecteur de monoxyde de carbone dans la pièce pour vous protéger, ainsi que votre famille, contre les intoxications (pas applicable pour les appareils pour l'extérieure).
- Assurez-vous que les distances requises pour les dégagements aux matériaux combustibles sont respectées lorsque vous installez une tablette décorative ou des tablettes au-dessus de l'appareil. En raison des températures élevées, un téléviseur ou d'autres composants électroniques pourraient être endommagés prématurément ou ils pourraient fondre, se déformer ou se décolorer.
- **Pour les appareils avec une barrière; si la barrière est endommagée, elle devra être remplacée par la barrière conçu par le fabricant pour cet appareil.**
- **L'installation et la réparation devraient être effectuées par un technicien qualifié. Il est impératif que les compartiments de contrôle, le brûleur et les passages de circulation d'air soient gardés propres afin de fournir une combustion et une circulation d'air adéquates.**
- Produits pour l'extérieur seulement: Cet appareil ne doit pas être installé à l'intérieur ni dans une structure qui empêche la dissipation des gaz de combustion dans l'environnement extérieur.
- S'il y a lieu, la version de millivolt de cet appareil utilise et requiert un thermocouple à action rapide. Remplacez uniquement par un thermocouple à action rapide de Wolf Steel Itée.

 AVERTISSEMENT: Ce produit peut vous exposer à des substances chimiques incluant le plomb et les composés de plomb qui, selon l'État de Californie, causeraient le cancer, et des substances chimiques incluant le monoxyde de carbone qui, selon d'État de Californie, causeraient des malformations congénitales ou autres dangers pour la reproduction. Pour de plus amples renseignements, visitez le www.P65Warnings.ca.gov.

 AVERTISSEMENT/ADVERTENCIA 	
RISQUE D'INCENDIE / RETARD D'ALLUMAGE	RIESGO DE INCENDIO/ PELIGRO DE ENCENDIDO DEMORADO
Une pression d'alimentation élevée peut endommager la soupape et ses composantes.	El suministro a alta presión dañará la válvula/los controles.
Débrancher la soupape de gaz de la ligne d'alimentation en gaz pendant les essais de pression de ce système lorsque les pressions excèdent 1/2 lb/po2 (3,5 kPa).	Desconectar la válvula/el control principal de gas del aparato del caño de suministro cuando se compruebe la presión del sistema a más de 1/2 psi (3.5 kPa).
Isoler l'appareil en fermant la soupape d'arrêt pendant tout essai de pression du système d'alimentation en gaz lorsque les pressions sont de 1/2 lb/po2 (3,5 kPa) ou moins.	Aislar el aparato con su válvula de cierre durante cualquier comprobación de la presión de la cañería de suministro a una presión igual o inferior a 1/2 psi (3.5 kPa).
	

table des matières

FR

1.0	information générales	76	11.0	finitions	107
1.1	plaque d'homologation / l'emplacement d'instruction d'allumage	78	11.1	enlèvement du support de transport	107
1.2	installation dans une maison mobile	78	11.2	retrait de l'écran de protection principal et l'installation	107
2.0	dimensions	79	11.3	retrait de l'écran de protection fin et l'installation (seulement BHD4P)	108
3.0	exigences minimum d'évacuation	80	11.4	installation / enlèvement de la porte principale	109
3.1	installations typiques d'événements	82	11.5	enlèvement de la porte d'extrémité / installation (seulement BHD4P)	110
3.2	installations particulières d'événements	83	11.6	enlèvement de panneau de contrôle	110
3.2.1	ensemble périscopique	83	11.7	installation de matériaux combustibles	111
3.2.2	matériaux combustibles d'événements réduits	83	11.7.1	l'ajustement de la support de finitions	112
3.3	convertir l'évacuation de 5/8" à 4/7"	84	11.8	dégagements minimaux de la tablette	113
3.4	emplacements et dégagements minimaux de la terminaison	85	11.9	matériaux de finition incombustibles	114
3.5	charte d'application des évacuations	86	11.10	installation des bases de protection	115
3.6	légende	86	11.11	disposition des bûches	116
3.7	valeurs du coude en longueurs d'événement	86	11.11.1	braises incandescentes	118
3.8	terminaison horizontale	87	11.11.2	braises de charbon	118
3.9	terminaison verticale	89	11.11.3	morceaux de braises de charbon	118
4.0	ossature	91	11.12	installation des braises vitrifiées	119
4.1	ossature	92	11.13	mise en place du logo	120
4.1.1	ossature du modèle binaire (BHD4ST)	92	12.0	réglages	121
4.1.2	ossature du modèle péninsule (BHD4P)	92	12.1	réglage de la veilleuse	121
4.2	dégagements minimaux aux matériaux combustibles	93	12.2	réglage du venturi	121
4.2.1	ossature du modèle binaire (BHD4ST)	93	12.3	étranglements des événements verticaux	122
4.2.2	ossature du modèle péninsule (BHD4P)	93	12.4	caractéristiques de la flamme	122
5.0	installation d'évacuation	94	13.0	entretien	123
5.1	installation horizontale	95	13.1	soins de la vitre	124
5.2	installation verticale	96	13.2	entretien annuel	124
5.3	utilisation de composants flexibles d'évacuation	96	13.3	remplacement de la vitre / porte	125
5.3.1	installation de la terminaison horizontale	97	13.4	enlèvement du brûleur	125
5.3.2	installation de la terminaison verticale	98	13.4.1	enlèvement du brûleur pour les bûches	125
5.3.3	raccordement des événements à l'appareil	98	13.4.2	enlèvement du brûleur de verre	126
6.0	information électriques	99	13.4.3	enlèvement du brûleur des bûches	126
6.1	connexion de câblage dur	99	13.5	remplacement de l'assemblage de la soupape	127
6.2	schéma de câblage du réceptacle	99	14.0	pièces de rechanges	128
6.3	schéma de câblage électronique	99	14.1	BHD4P vue d'ensemble	129
6.4	installation de la sauvegarde de pile	100	14.2	BHD4ST vue d'ensemble	130
6.5	schéma de câblage	101	14.3	l'assemblage du brûleur de verre	131
7.0	branchement du gaz	102	14.4	l'assemblage de la soupape du brûleur de verre	132
7.1	panneau d'accès pour la conduite de gaz	102	14.5	l'assemblage du brûleur des bûches	133
8.0	installation des pattes de cloutage	103	14.6	l'assemblage de la soupape du brûleur des bûches	134
9.0	opération	104	15.0	accessoires	135
9.1	veilleuse sur demande	105	16.0	guide de dépannage	136
10.0	instructions de fonctionnement	106	17.0	garantie	139
10.1	instructions de fonctionnement - pour votre sécurité lire ces instructions avant de faire fonctionner	106			
10.2	instruction d'allumage	106			

Les modifications, autres que les éditoriaux, sont désignées par une ligne verticale dans la marge.

Installateur, veuillez remplir les informations suivants:

Client: _____
 Adresse: _____
 Date d'installation: _____
 Location de l'appareil: _____
 Installateur: _____
 Numéro de contact
 du détaillant / distributeur: _____
 # de série: _____

Modèle:

Gaz Naturel: BHD4PN BHD4STN **Propane:** BHD4PP BHD4STP
 BHD4PGN BHD4STGN BHD4PGP BHD4STGP
 BHD4PFCN BHD4STFCN BHD4PFCP BHD4STFCP

Type de carburant	Gaz Naturel	Propane
Altitude (p)	0-4 500	
Débit maximal (BTU/h)	30 000	
Puissance minimum (BTU/h)	23 000	
Pression minimale d'alimentation en gaz	4,5" w.c. (11mb)	11" w.c. (27mb)
Pression maximale d'alimentation en gaz	13" w.c. (32mb)	13" w.c. (32mb)
Pression au collecteur (lorsque le gaz circule)	3,5" w.c. (9mb)	10" w.c. (25mb)

Code Produits		
	Type de Composants Décoratifs	Type de Carburant
BHD4PN	Bûches	Gaz Naturel
BHD4PP	Bûches	Propane
BHD4STN	Bûches	Gaz Naturel
BHD4STP	Bûches	Propane
BHD4PGN	Braises vitrifiées	Gaz Naturel
BHD4PGP	Braises vitrifiées	Propane
BHD4STGN	Braises vitrifiées	Gaz Naturel
BHD4STGP	Braises vitrifiées	Propane
BHD4PFCN	Berceau de feu	Gaz Naturel
BHD4PFCP	Berceau de feu	Propane
BHD4STFCN	Berceau de feu	Gaz Naturel
BHD4STFCP	Berceau de feu	Propane

1.0 information générales

FR

Lorsque l'appareil est installé à des élévations dépassant 4500 pieds (1372m), et en l'absence de recommandations spécifiques de l'autorité compétente locale, l'indice certifié du débit à haute altitude devra être réduit au taux de 4 % pour chaque 1000 pieds (305mm) supplémentaires. Les bruits causés par l'expansion et la contraction lors des cycles de chauffage et de refroidissement sont tout à fait normaux et il faut s'y attendre.

Cet appareil est approuvé pour installation dans les salles de bain, les chambres à coucher ou les chambres studio et convient pour installation dans les maisons mobiles.

Cet appareil ne doit être utilisé qu'avec le type de gaz indiqué sur la plaque d'homologation. Cet appareil ne peut être converti à un autre type de gaz à moins d'utiliser un ensemble de conversion certifié.

note:

Une barrière conçue à réduire le risque de brûlures à partir de la chaude vitre est à condition que avec l'appareil et sera être installés.

L'emballage de protection sur les pièces plaquées s'enlève mieux lorsque l'assemblage est à température ambiante ou lorsqu'il est chauffé avec un séchoir à cheveux ou une autre source de chaleur similaire.

Cet appareil est un produit décoratif. L'appareil n'est pas une source de chaleur et un combustible solide ne doit pas être utilisé avec cet appareil.

Aucune alimentation électrique externe (110 volts ou 24 volts) n'est requise pour le fonctionnement du système. Les bruits causés par l'expansion et la contraction lors des cycles de chauffage et de refroidissement sont tout à fait normaux et il faut s'y attendre.



Les piles doivent être mises au rebut conformément aux lois et à la réglementation locales. Certaines piles peuvent être recyclées et acceptées dans votre centre de recyclage local. Renseignez-vous auprès de votre municipalité au sujet des directives de recyclage.

AVERTISSEMENT

- Allumez toujours la veilleuse, que ce soit pour la première fois ou lorsque l’approvisionnement en gaz est épuisé, avec la porte vitrée ouverte ou retirée.
- Prévoyez un accès suffisant pour entretenir et opérer l’appareil.
- Assurez-vous d’une quantité suffisante d’air de ventilation.
- N’obstruez jamais l’ouverture de l’appareil.
- Les objets placés devant l’appareil doivent être gardés à une distance d’au moins 48” (121,9cm) de la face vitrée de l’appareil.
- Les surfaces autour et surtout au-dessus de l’appareil peuvent devenir chaudes. Ne touchez pas l’appareil quand il fonctionne.
- Risque d’incendie ou d’explosion.
- Les pressions élevées endommageront la soupape. L’alimentation en gaz doit être débranchée pendant les essais de pression de ce système lorsque les pressions d’essai excèdent 1/2 PSIG. Fermez la soupape d’arrêt manuelle pendant tout essai de pression du système d’alimentation en gaz lorsque la pression est de 1/2 PSIG (35mb) ou moins.
- N’utilisez que les accessoires optionnels et les pièces de rechange approuvés par Wolf Steel pour cet appareil. L’utilisation d’accessoires non listés (souffleries, portes, persiennes, moulures, composants de gaz, composants d’évacuation, etc.) pourrait être non sécuritaire et annulera la garantie et la certification.
- L’appareil ne doit pas être utilisé aux températures au-dessous de zéro (32°F / 0°C). Permettre à l’appareil pour réchauffer au-dessus de zéro avant le fonctionnement.

Cet appareil au gaz devrait être installé et entretenu par un installateur qualifié en se conformant aux codes locaux. Les pratiques d’installation peuvent varier d’une région à l’autre. Il est donc important de connaître les normes spécifiques qui s’appliquent à votre région. Par exemple, dans l’état du Massachusetts:

- Ce produit doit être installé par un plombier certifié ou un installateur pour le gaz lorsque installé dans le Commonwealth du Massachusetts.
- Le registre de l’appareil doit être enlevé ou bloqué en le soudant en position ouverte avant d’installer un encastré ou un ensemble de bûches à gaz.
- La soupape d’arrêt doit être un robinet à gaz avec une poignée en T.
- Le raccord flexible ne doit pas mesurer plus que 36 pouces (914,4mm).
- Un détecteur de monoxyde de carbone est requis dans toutes les pièces contenant des appareils alimentés au gaz.
- L’appareil n’est pas approuvé pour installation dans une chambre à coucher ou une salle de bain à moins d’être un appareil avec une chambre de combustion scellée à évacuation directe.

L’installation doit se conformer aux codes locaux. En l’absence de codes locaux, l’installation doit être conforme au Code d’installation du gaz naturel et du propane CSA B149.1 au Canada ou au National Fuel Gas Code, ANSI Z223.1 / NFPA 54 aux États-Unis. Cet appareil convient pour installation dans une maison mobile si l’installation est conforme aux normes actuelles pour les maisons mobiles équipées au gaz CAN/CSA Z240 SÉRIE MM au Canada ou selon les normes ANSI Z223.1 et NFPA 54 aux États-Unis.

L’alimentation de gaz de l’appareil doit être débranchée pendant les essais de pression de ce système lorsque les pressions d’essai excèdent ½ lb/po² (3,5 kpa). Fermez la soupape d’arrêt manuelle pendant tout essai de pression du système d’alimentation en gaz lorsque la pression est de ½ lb/po² (3,5 mb) ou moins. Si la soufflerie ou ventilateur est installer la boîte de dérivation doit être branchée au circuit électrique et mise à la terre conformément aux codes locaux. En l’absence de codes locaux utilisez la version courante du Code Canadien de l’Électricité CSA C22.1 au Canada ou le National Electrical Code ANSI/NFPA 70 aux États-Unis. Dans le cas où le soufflerie est équipé d’un cordon d’alimentation il doit être connecté à une réceptacle correctement mise à la terre. La fiche de mise à la terre ne doit pas être retiré du cordon d’alimentation.

Ce qui suit ne s’applique pas aux foyers encastrés; tant que les distances requises pour les dégagements aux matériaux combustibles sont respectées, le meilleur endroit pour un appareil est le centre de la maison, car ceci permet une meilleure utilisation de la chaleur fournie. L’emplacement des fenêtres, des portes et la circulation dans la pièce où se trouve l’appareil devront être pris en considération. Si possible, vous devriez choisir un emplacement où le système d’évent peut passer à travers la maison sans avoir à découper des solives de plancher ou de toit, sauf indication contraire à l’essai.



information générales

FR

1.1 plaque d'homologation / l'emplacement d'instruction d'allumage

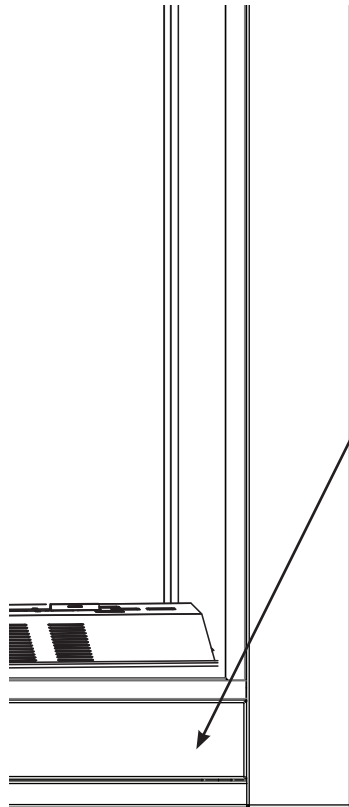
! AVERTISSEMENT

- Laisser refroidir l'appareil avant d'effectuer un entretien ou un nettoyage.

note:

L'écran de protection doit être enlevé pour accéder la plaque d'homologation / instruction d'allumage.

La plaque d'homologation et les instructions d'allumage sont fixées au câble et situé derrière le panneau de l'appareil de contrôle. Soulevez le panneau d'accès et le panneau du contrôle et loin de l'appareil. Avec le câble à la fin de l'ampoule de la fente, remuer la plaque signalétique sur en faisant attention de ne pas déchirer les instructions.



Cette illustration est à titre de référence seulement. Consultez la plaque d'homologation pour obtenir l'information précise.

note:

La plaque d'homologation doit rester avec l'appareil à tout instant. Il ne doit pas être enlevé.

1.2 installation dans une maison mobile

Cet appareil doit être effectuée en respectant les directives du fabricant et le Manufactured Home Construction and Safety Standard, Title 24 CFR, Part 3280, aux États-Unis, ou les normes actuelles pour les maisons mobiles, CAN/CSA Z240 SÉRIE MH au Canada. Cet appareil ne doit être utilisé qu'avec le type de gaz indiqué sur la plaque d'homologation.

Cet appareil homologué pour les maisons mobiles et préfabriquées possède des éléments de fixation. L'appareil est muni de deux trous de 1/4" (6,4mm) de diamètre, situés aux coins avant, gauche et droit de la base. Fixez à l'aide des attaches appropriées, insérées dans les trous de la base. Pour les produits autoportante, contactez votre revendeur agréé / distributeur permettant l'ensemble de sécurisation. Lors d'une installation dans une maison mobile, l'appareil doit être fixé au plancher. Éteignez toujours la veilleuse et l'alimentation en gaz à la source avant de déplacer la maison mobile. Après avoir déplacé la maison mobile et avant d'allumer l'appareil assurez-vous que les bûches sont placées correctement.

Cet appareil est certifié pour être installé dans une maison mobile installée de façon permanente, sauf si les codes locaux l'interdisent.

Cet appareil ne doit être utilisé qu'avec le type de gaz indiqué sr la plaque d'homologation. On ne peut utiliser cet appareil avec d'autres types de gaz, sauf si un ensemble de conversion certifié est utilisé.

Ensembles de conversion

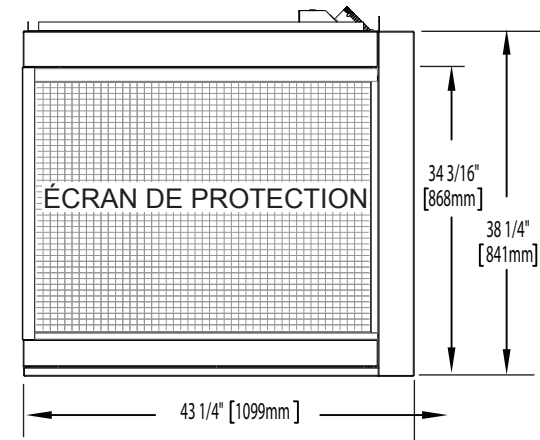
L'appareil pour maison mobile peut être converti au gaz naturel (GN) ou au propane (P).

Pour effectuer une conversion, veuillez consulter votre détaillant autorisé.

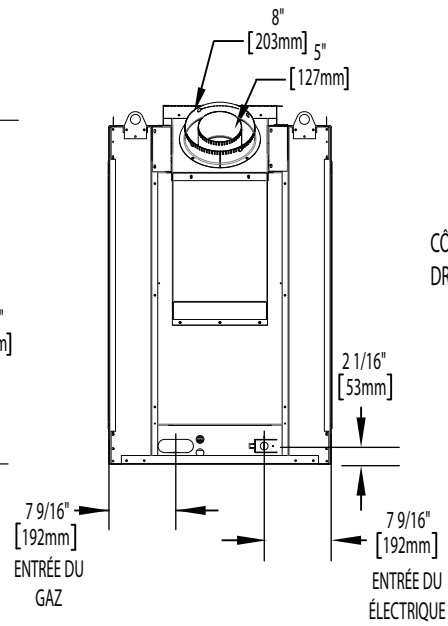
W415-1285 / J / 11.15.19

2.0 dimensions

FR

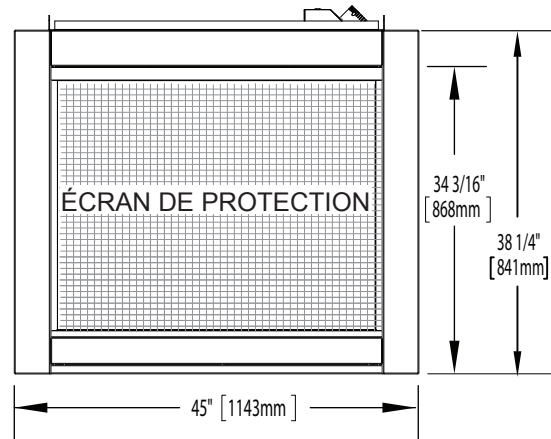
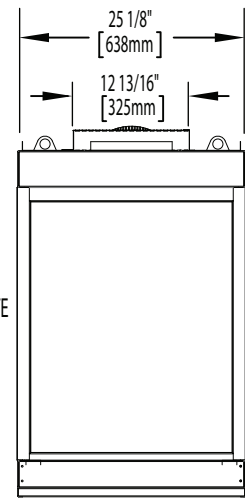


BHD4P ILLUSTRÉ

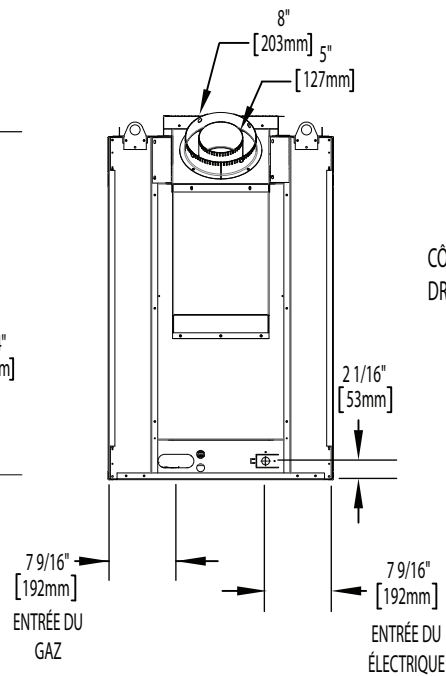


CÔTÉ DROITE

CÔTÉ GAUCHE

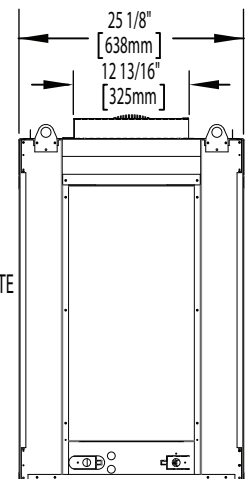


BHD4ST ILLUSTRÉ



CÔTÉ DROITE

CÔTÉ GAUCHE



3.0 exigences minimum d'évacuation

FR

AVERTISSEMENT

- Risque d'incendie. Conservez les dégagements nécessaires au conduit d'évent et à l'appareil.
- Les courses horizontales et verticales du système doivent être supportées à tous les 3 pi (0,9m). Utilisez l'ensemble de support mural Wolf Steel W010-0067 ou des supports incombustibles équivalents afin de conserver le dégagement minimal aux matériaux combustibles pour les courses verticales et horizontales. Des espaceurs sont fixés au conduit intérieur à intervalles prédéterminé afin de garder un espace vide avec le conduit extérieur. Pour que le fonctionnement soit sécuritaire, un espace vide est requis. Un espaceur est requis au début, au milieu et à la fin de chaque coude afin de maintenir cet espace vide. N'enlevez pas ces espaceurs.

Cet appareil utilise un système de conduits de 5" (127mm) pour l'évacuation et de 8" (203.2mm) pour la prise d'air. Veuillez consulter la section qui correspond à votre installation.

Afin d'assurer un fonctionnement sécuritaire et adéquat de l'appareil, vous devez observer les instructions d'évacuation à la lettre. Un changement à la longueur verticale minimale d'évacuation pourrait entraîner des problèmes d'allumage de brûleur et/ou des accumulations de carbone. Lorsque les configurations de l'évacuation sont à l'extrême, laissez plusieurs minutes (5-15) à la flamme pour se stabiliser après l'allumage. Prévoyez un moyen d'inspecter visuellement le raccord de l'évent à l'appareil après que ce dernier a été installé. Pas une exigence, mais elle est recommandée pour des longueurs de ventilation qui traversent non chauffés espaces (garages, greniers, vides sanitaires) être isolé avec l'isolant enveloppé dans une gaine de protection pour minimiser la condensation. Utilisez un espaceur coupe-feu, un protecteur de conduit d'évacuation ou un écran thermique de grenier lorsque les murs intérieurs, le plancher ou le plafond sont traversés.

La terminaison du système d'évacuation peut être peints avec une peinture haute température pour faire correspondre les couleurs extérieures. Utilisez une peinture extérieure convenant à 200 °C (400 °F). Performances des applications et peinture est la responsabilité du consommateur. Spot test est recommandé.

note:

Si pour une raison quelconque le système d'évents de prise d'air est démonté, réinstallez-le selon les instructions fournies dans l'installation initiale.

Cet appareil doit être installé de manière à ce que le conduit d'évacuation et de prise d'air se prolongent sur toute la longueur de la cheminée. Toute autre méthode d'installation telle que d'utiliser la cheminée comme partie du système d'évent est interdite.

Vous pouvez réduire l'évacuation de l'appareil de 5/8" à 4/7" pour l'évacuation horizontale et les applications d'une élévation verticale. La réduction doit être fait tout de suite hors de l'appareil et un espaceur coupe-feu (W010-3440) est requis.

Utilisez uniquement des composants d'évacuation Wolf Steel, Simpson Dura-Vent, Selkirk Direct Temp, American Metal Amerivent ou Metal-Fab. Les minimums et maximums des longueurs d'évent, pour les installations verticales et horizontales, et les emplacements des terminaisons pour les deux systèmes sont précisés dans ce manuel et doivent être respectés. Pour le Simpson Dura-Vent, Selkirk Direct Temp, American Metal Amerivent et Metal-Fab, suivez la procédure d'installation fournie avec les composants d'évacuation. Un adaptateur de départ doit être utilisé avec les systèmes d'évacuation suivants et peut être acheté chez le fournisseur correspondant:

Système d'évacuation	No. de pièce de l'adaptateur de départ		Fournisseur	Site Web
Duravent	W175-0170	W175-0053	Wolf Steel	www.duravent.com
Amerivent	5DSC-N2	4DSC-N2	American Metal	www.americanmetalproducts.com
Direct Temp	5DT-AAN	4DT-AAN	Selkirk	www.selkirkcorp.com
SureSeal	5DNA	4DNA	Metal-Fab	www.mtffab.com

Pour les systèmes d'évents dont le conduit intérieur d'évacuation possède déjà des joints scellés, seuls les joints du conduit extérieur de prise d'air doivent être scellés avec un scellant de silicone rouge à haute température (RTV). Ce même scellant peut être utilisé sur les joints des conduits intérieurs et extérieurs de tous les autres systèmes d'évents approuvés à l'exception du raccordement du conduit d'évacuation à la buse de l'appareil qui doit être scellé avec le scellant noir à haute température Mill Pac.

exigences minimum d'évacuation

FR

Lorsque vous utilisez les composants d'évacuation Wolf Steel, n'utilisez que des composants rigides / flexibles d'évacuation Wolf Steel conjointement avec les ensembles de terminaison suivants : ensemble de terminaison murale **GD422R-2**, ensemble de terminaison pour toit de pente 1/12 à 7/12 **GD410**, ensemble de terminaison pour toit de pente 8/12 à 12/12 **GD411**, ensemble de terminaison pour toit plat **GD412** ou ensemble périscopique **GD401** (pour pénétration des murs sous le niveau de sol). Lorsque vous utilisez des conduits flexibles conjointement avec les différentes terminaisons, utilisez l'ensemble d'événements de 5 pieds (1,5m) **GD420** ou l'ensemble de 10 pieds (3,1m) **GD430**.

Pour une performance optimale de l'appareil et des flammes, gardez la longueur des événements et le nombre de coudes au minimum.

La prise d'air de la terminaison extérieure doit demeurer dégagée en tout temps. Vérifiez la prise d'air de la terminaison au moins une fois l'an pour vous assurer qu'elle n'est pas obstruée ni endommagée.

Les composants rigides et flexibles ne doivent pas être combinés. Les composants d'évacuation de différents fabricants ne doivent pas être combinés.

Ces ensembles d'événements permettent soit une évacuation verticale soit une évacuation horizontale de l'appareil. L'hauteur totale permise pour un événement vertical est de 20 pieds (6,1m). L'hauteur totale permise pour un événement vertical est de 40 pieds (12,2m). Lorsque vous utilisez des composants flexibles, le nombre maximal de raccords est de deux horizontalement ou trois verticalement (excluant les raccords à l'appareil et à la section de terminaison).

Toutes les courses horizontales de l'événement peuvent avoir une élévation de 0" (0mm) par pied/mètre, toutefois, pour une performance optimale, toutes les courses horizontales devraient avoir une élévation minimale 1/4" par pied ou 21mm par mètre lorsque vous utilisez des composants d'évacuation flexibles. Afin d'assurer un fonctionnement sécuritaire et adéquat de l'appareil, vous devez observer les instructions d'évacuation à la lettre.

Une terminaison ne doit pas être installée directement au-dessus d'un toit ou d'une entrée pavée, située entre deux maisons unifamiliales et servant aux deux maisons. Les codes ou réglementations locaux peuvent exiger des dégagements différents.

Ne laissez pas le conduit intérieur se tasser contre les courses horizontales ou verticales et les coudes. Gardez-le tendu. Pour que le fonctionnement soit sécuritaire, un espace vide de 1/4" (31,8mm) est requis tout autour, entre le conduit intérieur et le conduit extérieur.

Pour 4" / 7" (utiliser A4758AK pour transition d'évacuation de 5" / 8" à 4" / 7")

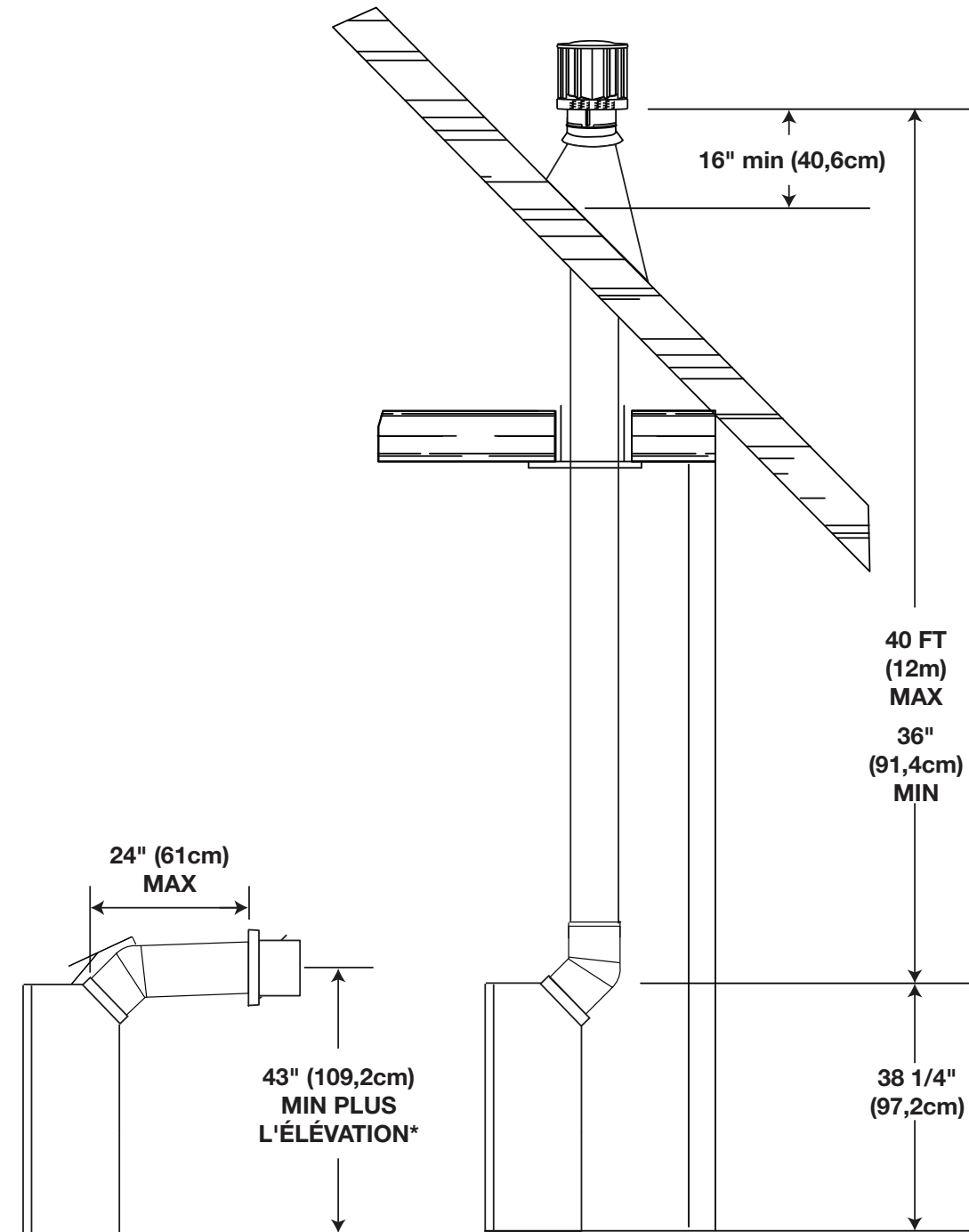
Lorsque vous utilisez les composants d'évacuation 4"/7" Wolf Steel, n'utilisez que des composants rigides/flexibles d'évacuation Wolf Steel conjointement avec les ensembles de terminaison suivants : ensemble de terminaison murale **GD222R**, ou 1/12 to 7/12 ensemble de terminaison pour toit de pente **GD110**, 8/12 to 12/12 ensemble de terminaison pour toit de pente **GD111**, ensemble de terminaison pour toit plat **GD112** ou ensemble périscopique **GD201** (pour pénétration des murs sous le niveau du sol). Lorsque vous utilisez des conduits flexibles conjointement avec les différentes terminaisons, utilisez l'ensemble d'événements de 5 pieds (1,5m) **GD220** ou l'ensemble d'événements de 10 pieds (3,1m) **GD330**.

Lorsque vous utilisez les composants d'évacuation 5"/8" Wolf Steel, n'utilisez que des composants rigides/flexibles d'évacuation Wolf Steel conjointement avec les ensembles de terminaison suivants : ensemble de terminaison murale **GD422R-1**, ensemble de terminaison pour toit de pente 1/12 à 7/12 **GD410**, ensemble de terminaison pour toit de pente 8/12 à 12/12 **GD411**, ensemble de terminaison pour toit plat **GD412** ou ensemble périscopique **GD401** (pour pénétration des murs sous le niveau du sol). Lorsque vous utilisez des conduits flexibles conjointement avec les différentes terminaisons, utilisez l'ensemble d'événements de 5 pieds (1,5m) **GD420** ou l'ensemble d'événements de 10 pieds (3,1m) **GD430**.

exigences minimum d'évacuation

FR

3.1 installations typiques d'événements



La course horizontale doit être conservée à un maximum de 20 pieds (6m). Si une course horizontale de 20 pieds (6m) est requise, l'appareil devra avoir une élévation verticale immédiatement à la sortie de l'appareil d'un minimum de 57 pouces (144,8cm).

Quand elle se termine verticalement, l'élévation verticale est d'un minimum de 36 pouces (91,4cm) et d'un maximum de 40 pieds (12m) au-dessus de l'appareil.

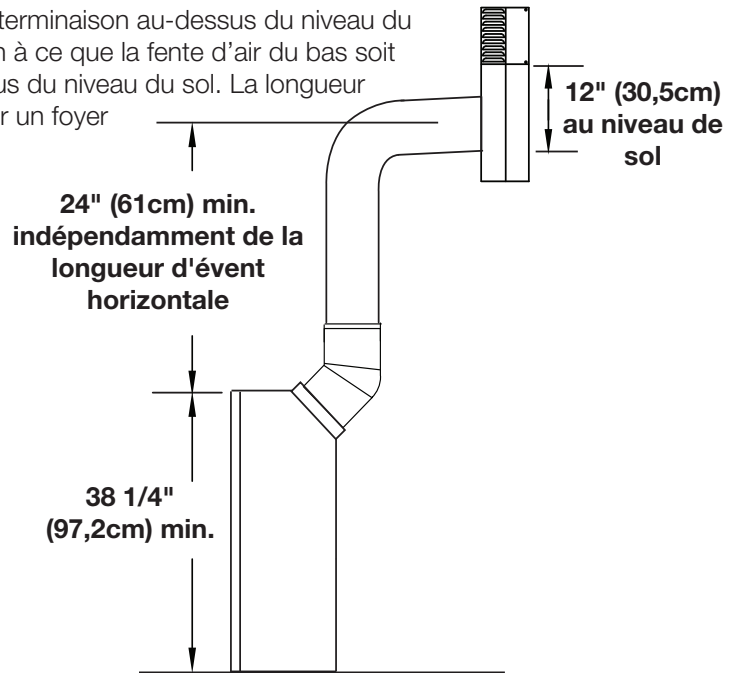
Sur toutes les courses horizontales, assurez-vous que la pente des conduits d'événement ne soit pas descendante.

* Voir la section « évacuation ».

3.2 installations particulières d'événements

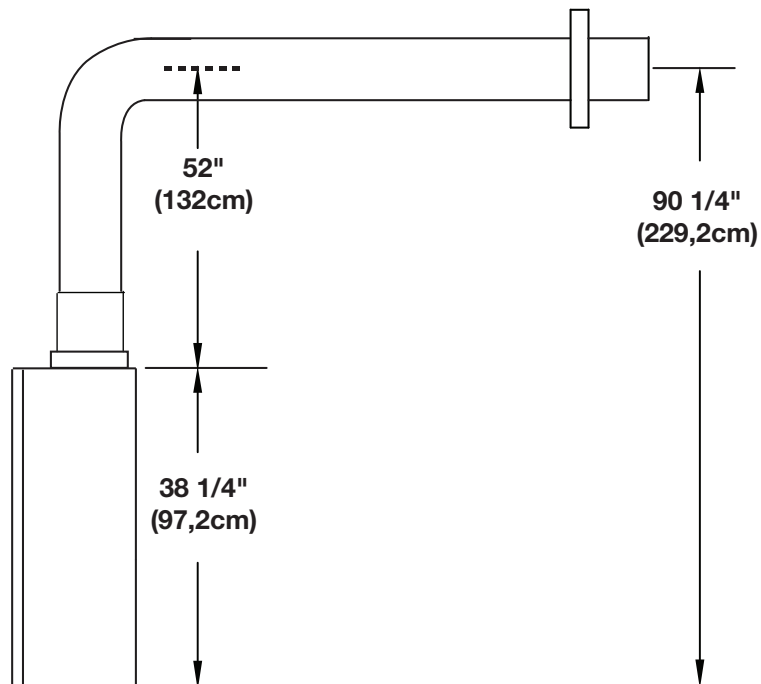
3.2.1 ensemble périscopique

Utilisez l'ensemble périscopique afin de positionner la terminaison au-dessus du niveau du sol. L'ensemble périscopique doit être installé de façon à ce que la fente d'air du bas soit située à un minimum de 12 pouces (305mm) au-dessus du niveau du sol. La longueur maximale permise de l'événement est de 10 pieds (3m) pour un foyer et 8 pieds (2,4m) pour un poêle.



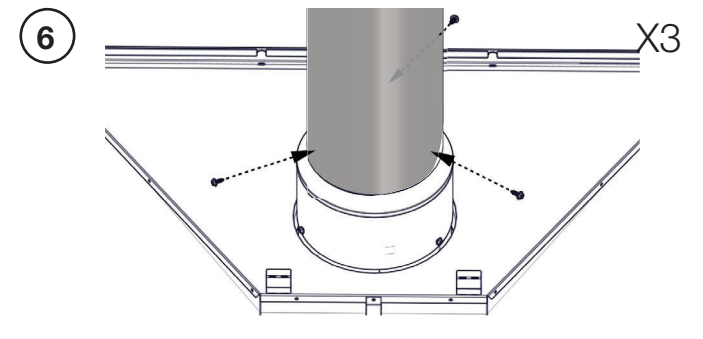
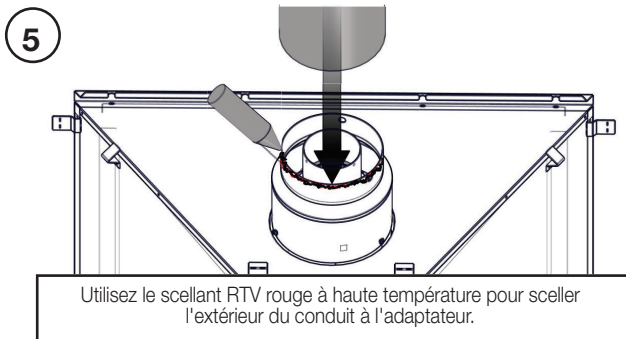
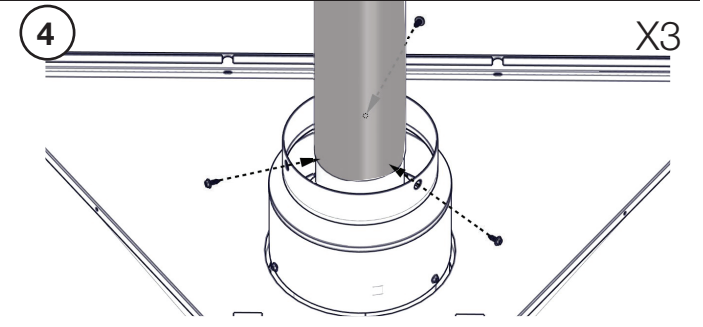
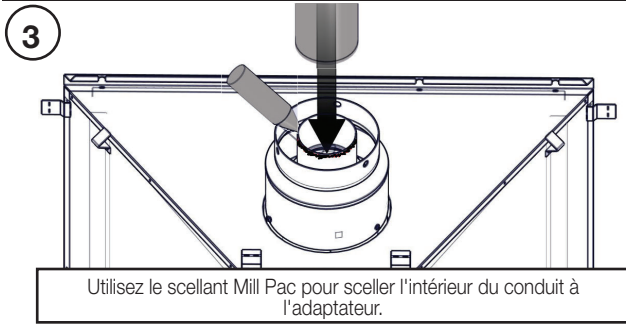
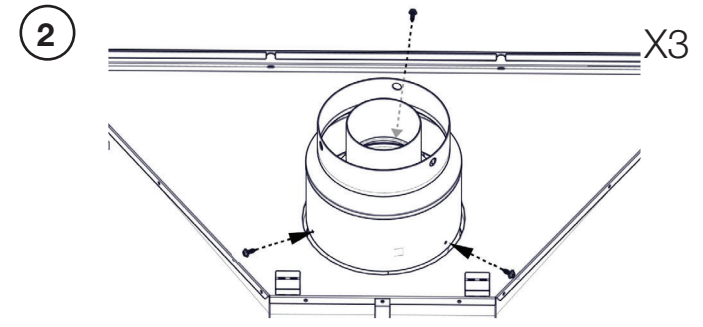
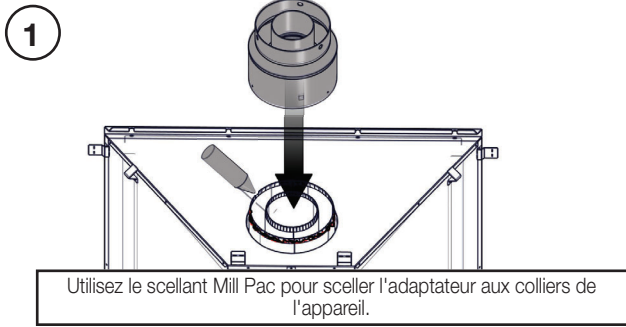
3.2.2 matériaux combustibles d'événements réduits

Les dégagements minimum autour de l'événement horizontal au matériel combustible peut-être réduit de 3" (76,2mm) / 2" (50,8mm) à 1" (25,4mm) dans les installation avec une course verticale d'une minimum de 52" (132cm) fait immédiatement hors du collet de l'appareil et ou l'événement à été réduit de 4/7" à 5/8" de l'appareil.



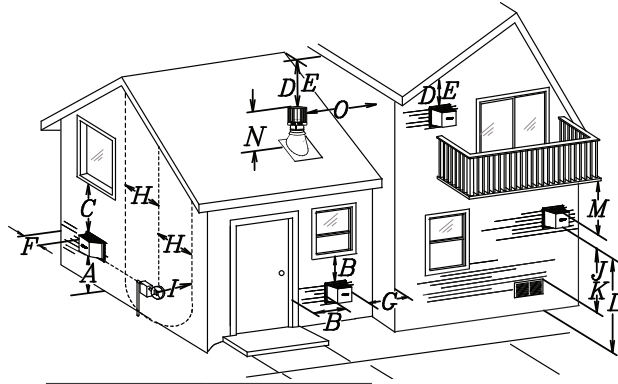
exigences minimum d'évacuation

FR 3.3 convertir l'évacuation de 5/8" à 4/7"

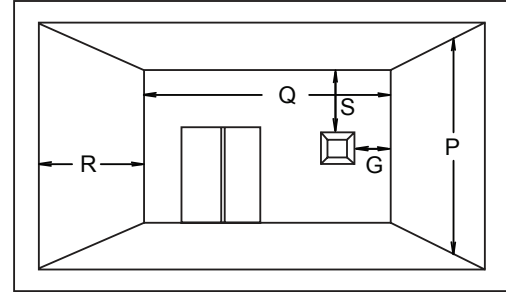


note:
Dépendant à votre trousse, les composants d'évacuation de 4/7 po ne peuvent pas être préassemblés.

3.4 emplacements et dégagements minimaux de la terminaison



Applications pour balcon couvert ††*



$Q_{MIN} = 3 \text{ feet}$ (0.9m)	$R_{MAX} = 2 \times Q_{ACTUAL}$	$R_{MAX} \leq 15 \text{ feet}$ (4.6m)
--------------------------------------	---------------------------------	--

note:

Les terminaux du mur sont à des fins d'illustration seulement. La taille et les formes peuvent varier.

	INSTALLATIONS		
	CANADA	É.-U.	
A	12" (30,5cm)	12" (30,5cm)	Dégagement au-dessus du sol, d'une véranda, d'une terrasse en bois ou d'un balcon.
B	12" (30,5cm) ^Δ	9" (229mm) ^Δ	Dégagement des fenêtres ou des portes qui ouvrent.
C	12" (30,5cm)*	12" (30,5cm)*	Dégagement des fenêtres fermées en permanence.
D	18" (45,7cm)**	18" (45,7cm)**	Dégagement verticale d'un soffite ventilé situé au-dessus de la terminaison si la distance horizontale est de moins de 2' (0,6m) de la ligne médiane de la terminaison.
E	12" (30,5cm)**	12" (30,5cm)**	Dégagement d'un soffite non ventilé.
F	0" (0mm)	0" (0mm)	Dégagement des murs faisant coin extérieur.
G	0" (0mm)***	0" (0mm)***	Dégagement des murs extérieurs incombustibles faisant coin intérieur ou aux obstructions incombustibles (cheminée, etc.)
	2" (51mm)***	2" (51mm)***	Dégagement des murs extérieurs combustibles faisant coin intérieur ou aux obstructions combustibles (habillage extérieur, etc.).
H	3'(0,9m)	3'(0,9m)****	Dégagement horizontale de chaque côté depuis la ligne verticale tirée du centre d'un ensemble de régulateur/compteur pour une distance verticale maximale de 15' (4,6m).
I	3' (0,9m)	3' (0,9m)****	Dégagement d l'évent du régulateur.
J	12" (30,5cm)	9" (229mm)	Dégagement d'une prise d'air de ventilation non mécanique de la maison ou d'une prise d'air de combustion de tout autre appareil.
K	6' (1,8m)	3' (0,9m) †	Dégagement d'une prise d'air mécanique.
L	7' (2,1m) ‡	7' (2,1m) ****	Dégagement au-dessus d'un trottoir ou d'une entrée pavée situées sur une propriété publique.
M	12" (30,5cm)††	12" (30,5cm)****	Dégagement sous une véranda ou une terrasse en bois.
N	16" (40,6cm)	16" (40,6cm)	Dégagement au-dessus du toit.
O	2' (0,6m)†*	2' (0,6m) †*	Dégagement des murs adjacents, incluant les maisons voisines.
P	8' (2,4m)	8' (2,4m)	Le toit doit être incombustible et sans ouvertures.
Q	3' (0,9m)	3' (0,9m)	Voir le tableau pour les dimensions d'un mur plus large.
R	6' (1,8m)	6' (1,8m)	Voir le tableau pour les dimensions d'un mur plus profond. La terminaison ne doit pas être installée sur quelconque mur ayant une ouverture entre la terminaison et le côté ouvert de la structure.
S	12" (30,5cm)	12" (30,5cm)	Dégagement sous un balcon ouvert.

Δ Pour les structures comportant trois murs et un toit, la terminaison doit être située à plus de 6 pieds (1,8m) sous une fenêtre s'ouvrant sur un plan horizontal.

* Recommandé afin de prévenir la formation de buée dans les fenêtres et les cassures thermiques.

** Il est recommandé d'utiliser un protecteur de chaleur et de maximiser la distance au soffite de plastique.

*** L'ensemble périscopique requiert un dégagement minimal de 18 pouces (45,7cm) d'un mur extérieur faisant coin intérieur.

**** Ceci est une distance recommandée. Vérifiez les codes locaux pour connaître les contraintes additionnelles.

† Trois pieds au-dessus si la distance horizontale est de moins de 10 pieds (3,1m).

‡ Une terminaison d'évacuation ne doit pas être installée à un endroit où elle pourrait causer une formation dangereuse de givre ou de glace sur les surfaces d'une propriété adjacente.

†† Permis seulement si la véranda ou la terrasse en bois sont complètement ouverts sur un minimum de deux côtés sous le plancher.

†* Recommandé afin d'éviter la recirculation des produits d'échappement. Vérifiez les codes locaux pour connaître les contraintes additionnelles.

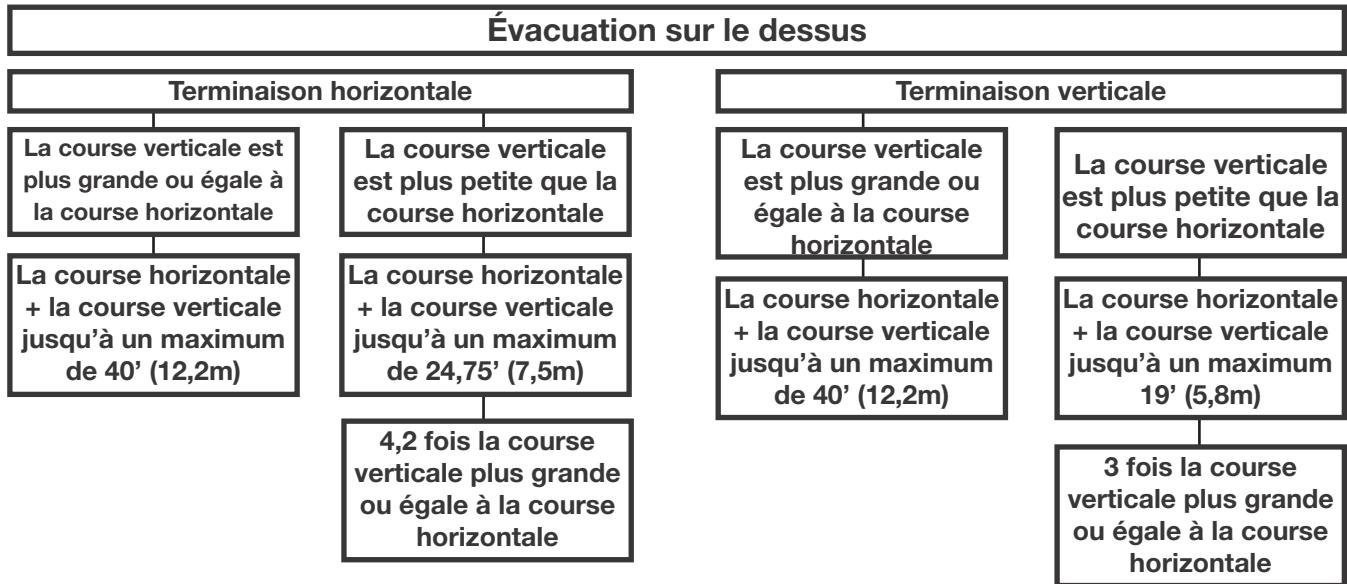
††* Permis seulement si le balcon est complètement ouvert sur au moins un côté.

note:

Les dégagements doivent être conformes aux codes d'installation locaux et les exigences du fournisseur de gaz. En leur absence, les dégagements doivent être comme indiqué ci-dessous et sont basés sur des codes nationaux.

exigences minimum d'évacuation

FR 3.5 charte d'application des évacuations



3.6 légende

Les symboles suivants sont utilisés dans le calcul et les exemples d'évacuation :

- > - plus grand que
- ≥ - plus grand ou égal à
- < - plus petit que
- ≤ - plus petit ou égal à

H_T - total de la longueur des courses horizontales (H_H) plus la valeur des déviations (H_O) en pieds

H_R - longueur des courses horizontales combinées en pieds

H_O - facteur de la valeur d'une déviation : 0,03 (du total des degrés de déviation - 90°*) en pieds

H'_O - facteur de la valeur d'une déviation : 0,03 (total des degrés de déviation - 135°*) en pieds

V_T - longueur des courses verticales combinées en pieds

3.7 valeurs du coude en longueurs d'évent

	<u>Pieds</u>	<u>Pouces</u>	<u>Millimètres</u>
1°	0,03	0,5	12,7
15°	0,45	6,0	152,4
30°	0,9	11,0	279,4
45°	1,35	16,0	406,4
90°*	2,7	32,0	812,8

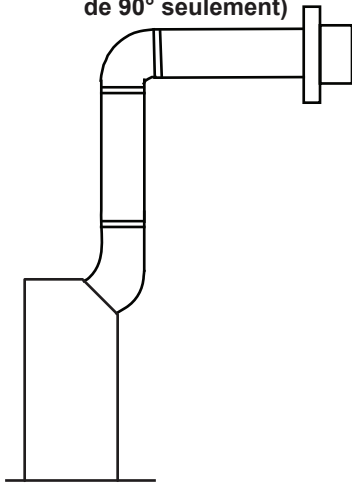
* La première déviation de 90° a une valeur zéro et est illustrée dans la formule comme - 90°.

* La première déviation de 45° et de 90° a une valeur zéro et est illustrée dans la formule comme -45° et -90° respectivement ou -135° lorsque combinées (**Pour la 45° sortie seulement**).

3.8 terminaison horizontale

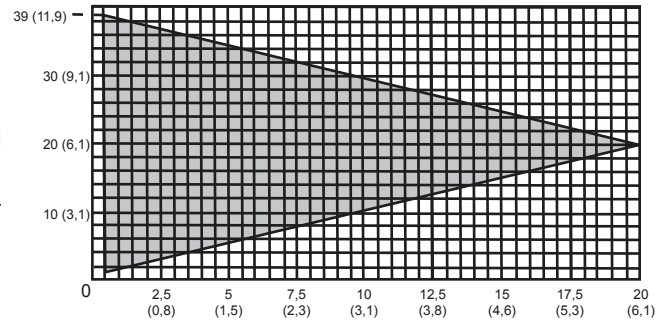
$$(H_T) \leq (V_T)$$

Configuration d'évacuation simple (un coude de 45° et de 90° seulement)



COURSE
VERTICALE
REQUISE EN
PIEDS
(MÈTRES) V_T

Consultez le graphique pour déterminer la course verticale nécessaire V_T par rapport à la course horizontale requise H_T .



LONGUEUR DES COURSES HORIZONTALES PLUS LES DÉVIATIONS EN PIEDS (MÈTRES) H_T

La section ombragée à l'intérieur des lignes représente des valeurs acceptables pour H_T et V_T

Lorsque la configuration de l'évacuation exige plus qu'un coude de 45° et de 90°, les formules suivantes s'appliquent :

Formule 1 : $H_T \leq V_T$

Formule 2 : $H_T + V_T \leq 40$ pieds (12,2m)

Exemple :

$$V_1 = 8 \text{ PI (2,4m)}$$

$$V_T = V_1 = 8 \text{ PI (2,4m)}$$

$$H_1 = 2,5 \text{ PI (0,8m)}$$

$$H_2 = 2 \text{ PI (0,6m)}$$

$$H_R = H_1 + H_2 = 2,5\text{PI (0,8m)} + 2\text{PI (0,6m)} = 4,5 \text{ PI (1,4m)}$$

$$H_O = 0,03 \text{ (un coude } 45^\circ \text{ + deux coudes } 90^\circ - 135^\circ) = 0,03 (225 - 135^\circ) = 2,7 \text{ PI (0,8m)}$$

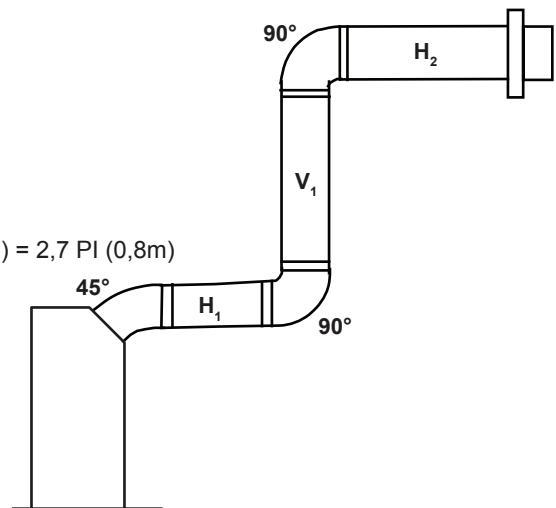
$$H_T = H_R + H_O = 4,5 \text{ PI (1,4m)} + 2,7 \text{ PI (0,8m)} = 7,2 \text{ PI (2,2m)}$$

$$H_T + V_T = 7,2 \text{ PI (2,2m)} + 8 \text{ PI (2,4m)} = 15,2 \text{ PI (4,6m)}$$

Formule 1 : $H_T \leq V_T$
 $7,2 \text{ PI (2,2m)} \leq 8 \text{ PI (2,4m)}$

Formule 2 : $H_T + V_T \leq 40 \text{ PI (12,2m)}$
 $15,2 \text{ PI (4,6m)} \leq 40 \text{ PI (12,2m)}$

Puisque les deux formules sont respectées, cette configuration d'évacuation est acceptable.

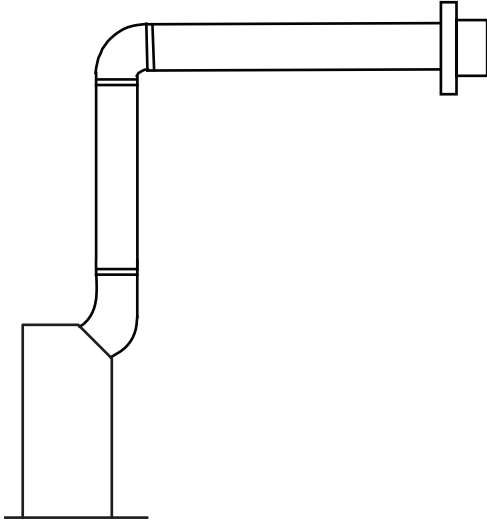


exigences minimum d'évacuation

FR

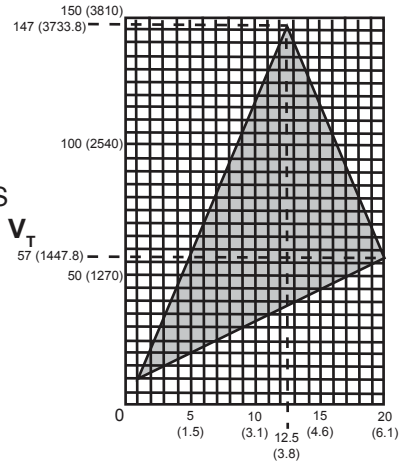
$$(H_T) > (V_T)$$

Configuration d'évacuation simple (un coude de 45° et de 90° seulement)



Consultez le graphique pour déterminer la course verticale nécessaire V_T par rapport à la course horizontale requise H_T .

COURSE VERTICALE REQUISE EN POUNCES (MILLIMETERS) V_T



LONGUEUR DES COURSES HORIZONTALES PLUS LES DÉVIATIONS EN PIEDS (MÈTRES) H_T

La section ombragée à l'intérieur des lignes représente des valeurs acceptables pour H_T et V_T .

Lorsque la configuration de l'évacuation exige plus d'un coude de 45° et 90°, les formules suivantes s'appliquent :

Formule 1 : $H_T \leq 4,2 V_T$

Formule 2 : $H_T + V_T \leq 24,75$ pieds (7,5m)

Exemple :

$V_1 = 4$ PI (1,2m)

$V_2 = 1,5$ PI (0,5m)

$V_T = V_1 + V_2 = 4$ PI (1,2m) + 1,5 PI (0,5m) = 5,5 PI (1,7m)

$H_1 = 2$ PI (0,6m)

$H_2 = 1$ PI (0,3m)

$H_3 = 1$ PI (0,3m)

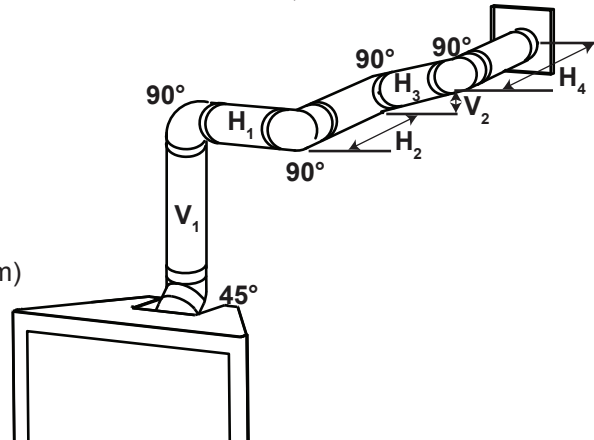
$H_4 = 1,5$ PI (0,5m)

$H_R = H_1 + H_2 + H_3 + H_4 = 2$ PI (0,6m) + 1 PI (0,3m) + 1 PI (0,3m) + 1,5 PI (0,5m) = 5,5 PI (1,7m)

$H_O = 0,03$ (un coude 45° + quatre coudes 90° - 135°) = 0,03 (405 - 135°) = 8,1 PI (2,5m)

$H_T = H_R + H_O = 5,5$ PI (1,7m) + 8,1 PI (2,5m) = 13,6 PI (4,2m)

$H_T + V_T = 13,6$ PI (4,2m) + 5,5 PI (1,7m) = 19,1 PI (5,8m)



Formule 1 : $H_T \leq 4,2 V_T$

$4,2 V_T = 4,2$ PI (1,3m) x 5,5 PI (1,7m) = 23,1 PI (7m)

$13,6$ PI (4,2m) \leq 23,1 PI (7m)

Formule 2 : $H_T + V_T \leq 24,75$ PI (7,5m)

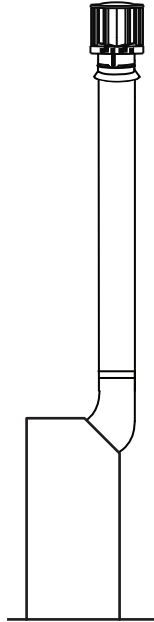
$19,1$ PI (5,8m) \leq 24,75 PI (7,5m)

Puisque les deux formules sont respectées, cette configuration d'évacuation est acceptable.

3.9 terminaison verticale

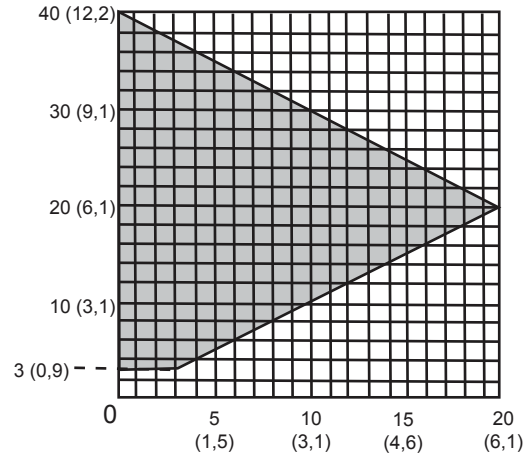
$$(H_T) \leq (V_T)$$

Configurations d'évacuation simple.



COURSE
VERTICALE
REQUISE
EN PIEDS
(MÈTRES) V_T

Consultez le graphique pour déterminer la course verticale nécessaire V_T par rapport à la course horizontale requise H_T .



LONGUEUR DES COURSES HORIZONTALES PLUS LES DÉVIATIONS EN PIEDS (MÈTRES) H_T

La section ombragée à l'intérieur des lignes représente des valeurs acceptables pour H_T et V_T

Lorsque la configuration de l'évacuation exige plus qu'un coude de 45° et un coude de 90°, les formules suivantes s'appliquent :

Formule 1 : $H_T \leq V_T$

Formule 2 : $H_T + V_T \leq 40$ pieds (12,2m)

Exemple :

$$V_1 = 5 \text{ PI (1,5m)}$$

$$V_2 = 10 \text{ PI (3,1m)}$$

$$V_T = V_1 + V_2 = 5 \text{ PI (1,5m)} + 10 \text{ PI (3,1m)} = 15 \text{ PI (4,6m)}$$

$$H_1 = 3 \text{ PI (0,9m)}$$

$$H_2 = 2,5 \text{ PI (0,8m)}$$

$$H_R = H_1 + H_2 = 3 \text{ PI (0,9m)} + 2,5 \text{ PI (0,8m)} = 5,5 \text{ PI (1,7m)}$$

$$H_o = 0,03 \text{ (un coude } 45^\circ + \text{ trois coudes } 90^\circ - 135^\circ)$$

$$= 0,03 (45 + 270 - 135^\circ) = 5,4 \text{ PI (1,6m)}$$

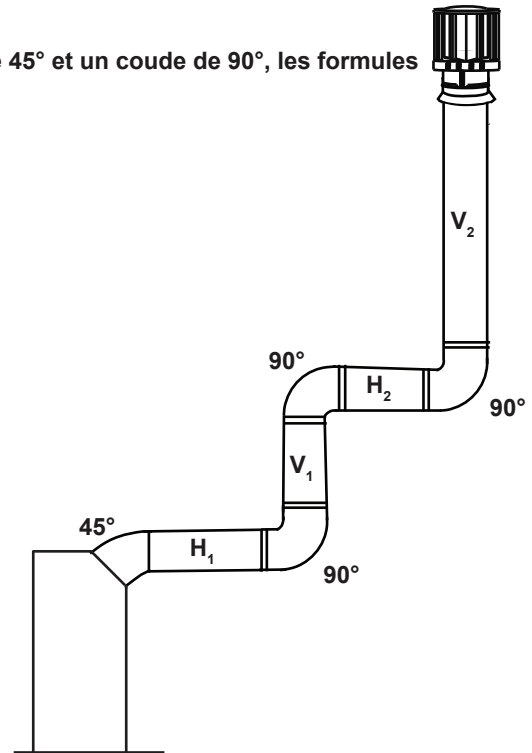
$$H_T = H_R + H_o = 5,5 \text{ PI (1,7m)} + 5,4 \text{ PI (1,6m)} = 10,9 \text{ PI (3,3m)}$$

$$H_T + V_T = 10,9 \text{ PI (3,3m)} + 15 \text{ PI (4,6m)} = 25,9 \text{ PI (7,9m)}$$

Formule 1 : $H_T \leq V_T$
 $10,9 \text{ PI (3,3m)} \leq 15 \text{ PI (4,6m)}$

Formule 2 : $H_T + V_T \leq 40 \text{ PI (12,2m)}$
 $25,9 \text{ PI (7,9m)} \leq 40 \text{ PI (12,2m)}$

Puisque les deux formules sont respectées, cette configuration d'évacuation est acceptable.

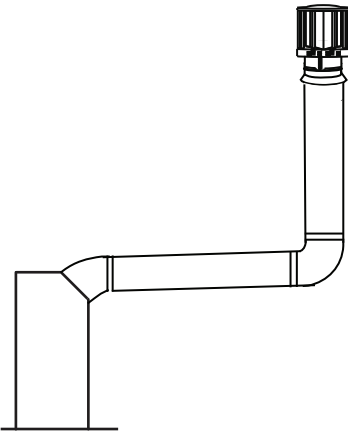


exigences minimum d'évacuation

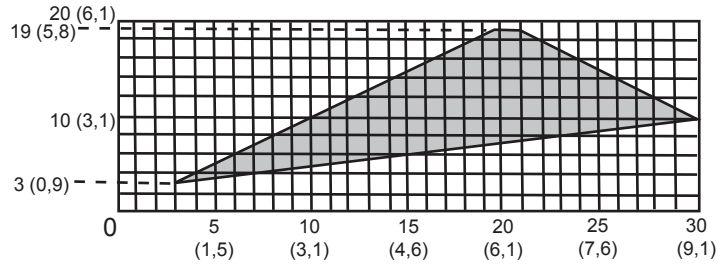
$$(H_T) > (V_T)$$

FR

Configurations d'évacuation simple.



COURSE VERTICALE REQUISE EN PIEDS (MÈTRES) V_T



LONGUEUR DES COURSES HORIZONTALES PLUS LES DÉVIATIONS EN PIEDS (MÈTRES) H_T

La section ombragée à l'intérieur des lignes représente des valeurs acceptables pour H_T et V_T

Lorsque la configuration de l'évacuation exige plus qu'un coude de 45° et un coude de 90°, les formules suivantes s'appliquent :

Formule 1 : $H_T \leq 3V_T$

Formule 2 : $H_T + V_T \leq 40$ pieds (12,2m)

Exemple :

$V_1 = 1$ PI (0,3m)

$V_2 = 1,5$ PI (0,5m)

$V_T = V_1 + V_2 = 1$ PI (0,3m) + 1,5 PI (0,5m) = 2,5 PI (0,8m)

$H_1 = 6$ PI (1,8m)

$H_2 = 2$ PI (0,6m)

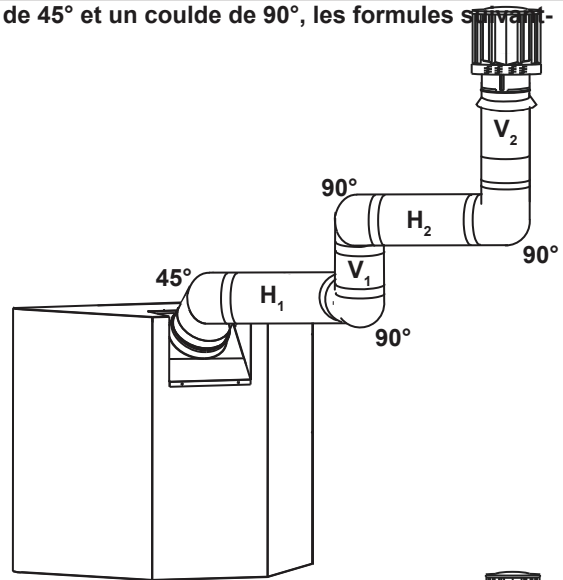
$H_R = H_1 + H_2 = 6$ PI (1,8m) + 2 PI (0,6m) = 8 PI (2,4m)

$H_0 = 0,03$ (un coude 45° + trois coudes 90° - 135°)

$= 0,03 (45 + 270 - 135^\circ) = 5,4$ PI (1,6m)

$H_T = H_R + H_0 = 8$ PI (2,4m) + 5,4 PI (1,6m) = 13,4 PI (4,1m)

$H_T + V_T = 13,4$ PI (4,1m) + 2,5 PI (0,8m) = 15,9 PI (4,8m)



Formule 1 : $H_T \leq 3V_T$

$3V_T = 3$ PI (0,9m) x 2,5 PI (0,8m) = 7,5 PI (2,3m)

13,4 PI (4,1m) > 7,5 PI (2,3m)

Puisque cette formule n'est pas respectée, cette configuration d'évacuation est **inacceptable**.

Formule 2 : $H_T + V_T \leq 40$ PI (12,2m)

15,9 PI (4,8m) ≤ 40 PI (12,2m)

Puisque seulement la formule 2 est respectée, cette configuration est inacceptable et l'on devra trouver un autre endroit pour installer l'appareil ou trouver une configuration d'évacuation qui pourra respecter les deux formules.

Exemple :

$V_1 = 1,5$ PI (0,5m)

$V_2 = 8$ PI (2,4m)

$V_T = V_1 + V_2 = 1,5$ PI (0,5m) + 8 PI (2,4m) = 9,5 PI (2,9m)

$H_1 = 1$ PI (0,3m)

$H_2 = 1$ PI (0,3m)

$H_3 = 10,75$ PI (3,3m)

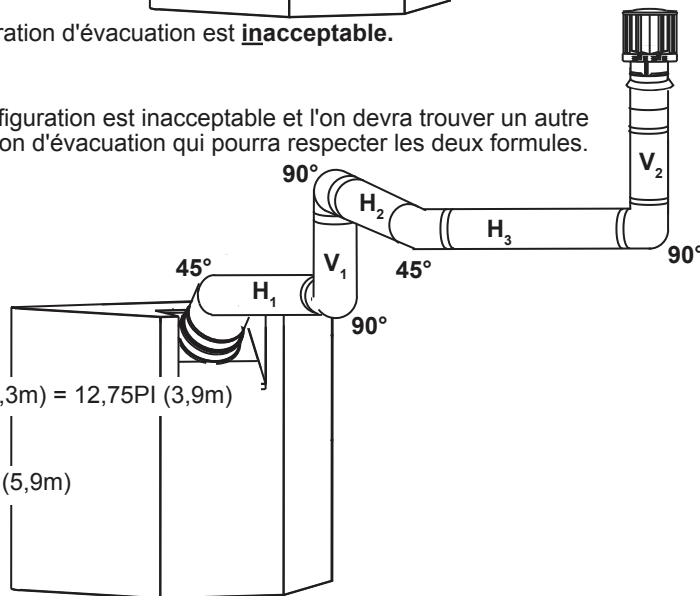
$H_R = H_1 + H_2 + H_3 = 1$ PI (0,3m) + 1 PI (0,3m) + 10,75 PI (3,3m) = 12,75 PI (3,9m)

$H_0 = 0,03$ (trois coudes 90° + deux coudes 45°

- 135°) = 0,03 (270 + 90 - 135°) = 6,75 PI (2,1m)

$H_T = H_R + H_0 = 12,75$ PI (3,9m) + 6,75 PI (2,1m) = 19,5 PI (5,9m)

$H_T + V_T = 19,5$ PI (5,9m) + 9,5 PI (2,9m) = 29 PI (8,8m)



Formule 1 : $H_T \leq 3V_T$

$3V_T = 3 \times 9,5 = 28,5$ PI (8,7m)

19,5 PI (5,9m) ≤ 28,5 PI (8,7m)

Formule 2 : $H_T + V_T \leq 40$ PI (12,2m)

29 PI (8,8m) ≤ 40 PI (12,2m)

Puisque les deux formules sont respectées, cette configuration d'évacuation est acceptable.

note:

Lorsque vous installez les accessoires de finition optionnelles, les dimensions de l'ossature et les matériaux de finition peuvent différer de ce qui est décrit dans ces instructions ci-dessous, voir les instructions fournies dans le trousse de l'accessoire pour les spécifications détaillées.

! AVERTISSEMENT

- Risque d'incendie!
- Afin d'éviter la possibilité que de l'isolation ou un coupe-vapeur entrent en contact avec l'extérieur du caisson, il est conseillé d'installer l'appareil contre des murs finis (C.-À-D. panneau de gypse) comme tout autre mur de la maison. Ceci assurera que les dégagements aux matériaux combustibles est maintenu.
- Ne faites pas d'entailles à l'ossature autour des espaceurs. Ne pas maintenir les dégagements peut causer une surchauffe et un incendie. Empêchez tout contact avec de l'isolant qui s'affaisse, avec l'ossature ou avec tout autre matériau combustible. Bloquez l'entrée de l'enceinte pour empêcher l'infiltration d'isolant soufflé. Assurez-vous que l'isolation et les autres matériaux sont bien fixés.
- Lorsque vous construisez l'enceinte, prévoyez l'épaisseur des matériaux de finition pour maintenir les dégagements. Si l'ossature ou les matériaux de finition se trouvent à une distance inférieure à celle indiquée, ils doivent être faits d'acier, de fer, de brique, de tuile, de béton, d'ardoise, de verre ou de plâtre, ou d'une combinaison de ces matériaux sont appropriés. Les matériaux répondant à la norme ASTM E 136, méthode de test standard du comportement des matériaux dans une fournaise avec tube vertical à 1382°F (750°C), et à la norme UL763 sont considérés comme étant des matériaux non combustibles.
- Afin d'éviter un risque d'incendie, les dégagements minimaux aux matériaux combustibles doivent être maintenus.
- L'enceinte de l'appareil doit respecter la hauteur minimale requise. Mesurez à partir de la base de l'appareil.
- Si des ensembles de montants en acier avec panneau de ciment sont fournis, ou spécifié dans les instructions d'installation, ils doivent être installés.
- Si spécifié dans les instructions d'installation, les matériaux de finition doivent être non-combustibles placer éclat avec le face de l'appareil étendue du sommet de l'appareil comme le conseil de ciment, le carreau en céramique, le marbre, etc. N'utilisez pas des bûches ou le cloison sèche. N'importe quel feu à évalué du cloison sèche n'est pas acceptable.

Il est préférable de construire l'ossature après que l'appareil est en place et que le système d'évacuation est installé. Lorsque vous mettez l'appareil en place, surélevez-le de façon à prévoir l'épaisseur du plancher fini, c.-à-d. tuiles, tapis ou bois franc.

Conservez ces dégagements minimaux aux matériaux combustibles:**Ossature de l'appareil combustible:**

- 1/4" (6,4mm) sur les côtés de l'appareil
- 8 1/4" (210mm) sur le dessus de l'appareil

Finition de l'appareil combustible:

- 0" (0mm) au-dessus de l'ouverture de l'appareil
- 50" (127cm) du bas de l'appareil jusqu'au haut de l'enceinte
- 62 1/4" (158,2cm) du bas de l'appareil jusqu'au plafond
- 3" (76mm) du dessus du conduit d'évacuation*
- 2" (51mm) des côtés et du dessous du conduit d'évacuation*
- 0" (0mm) sur les côtés et dessus de l'appareil

***SECTIONS D'ÉVÉNEMENTS HORIZONTALES :** Un dégagement minimal aux matériaux combustibles de 3" (76mm) au-dessus et 2" (51mm) au-dessous et sur les côtés de l'événement doit être maintenu sur toutes les courses horizontales. Voir la section « dégagements minimaux de l'enceinte ». Utilisez l'espaceur coupe-feu W010-3210. Si réduit à 4/7", utilisez l'espaceur coupe-feu W010-3440.

note:

Les dégagements minimaux autour de l'événement horizontale aux matériaux combustibles peut être réduite de 3" (76mm) / 2" (50.8mm) à 1" (25mm) dans ces installations avec une event verticale de minimum 52" (132cm) l'événement verticale est faite immédiatement au collet de l'appareil et ou l'événement à été réduit de 4/7" à 5/8" aux collets de l'appareil.

***SECTIONS D'ÉVÉNEMENTS VERTICALES :** Un dégagement minimal aux matériaux combustibles de 2" (51mm) est requis sur toutes les courses verticales. Utilisez l'espaceur coupe-feu W010-3210.

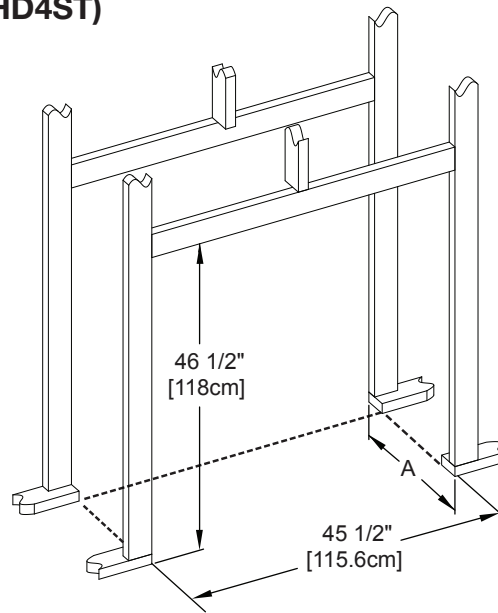
ossature

FR

4.1 ossature

4.1.1 ossature du modèle binaire (BHD4ST)

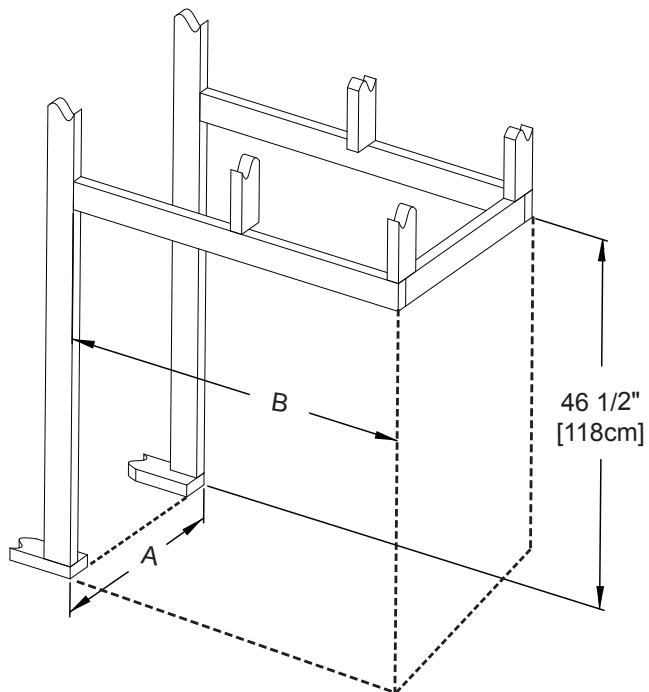
A: MIN 22 1/8" (56,2cm)
MAX 24 1/8" (61,3cm)



4.1.2 ossature du modèle péninsule (BHD4P)

A: MIN 22 1/8" (56,2cm)
MAX 24 1/8" (61,3cm)

B: MIN 42 1/2" (108cm)
MAX 43 1/2" (110,5cm)



note:

Toute les dimensions de l'ossature sont basés sur la position du support de finition. L'ossature peut changer dépendant de l'épaisseur du matériaux de finition. (Voir la section « ajustement de la supportde finitions »).

4.2 dégagements minimaux aux matériaux combustibles

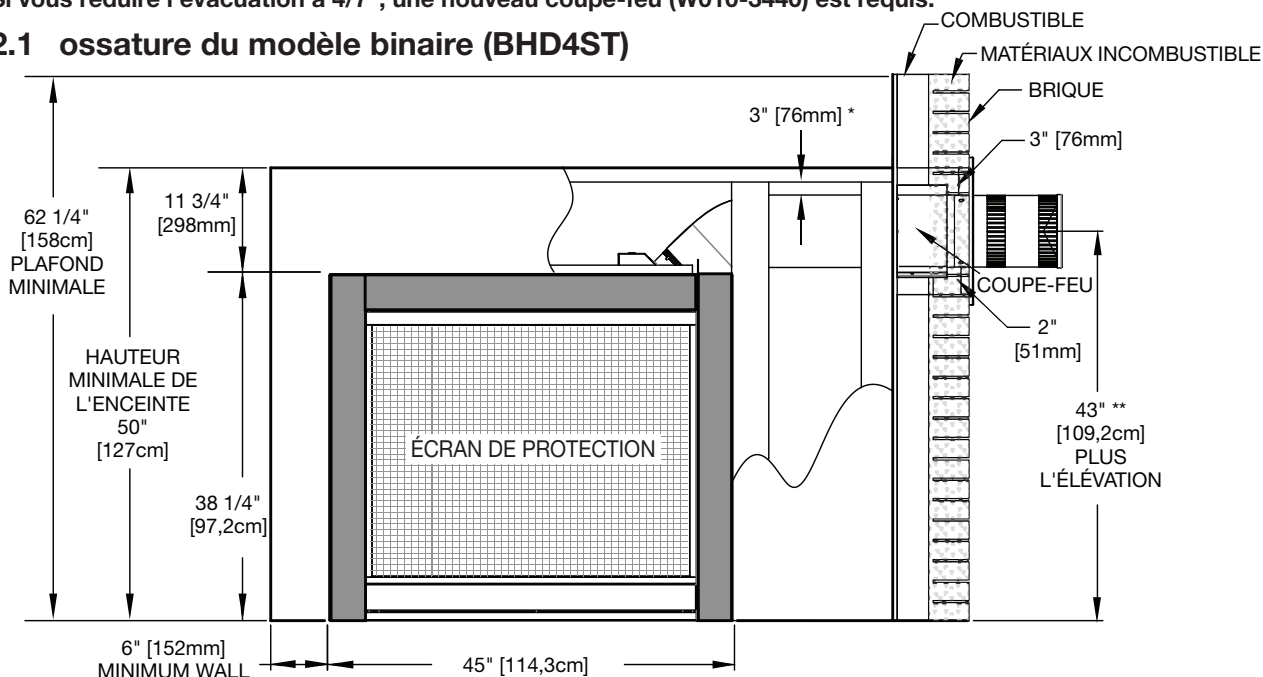
IMPORTANT: Cet appareil requiert une hauteur d'enceinte minimale de 50" (127cm), à partir de la base de l'appareil. Afin de respecter les contraintes de température, cet espace doit demeurer sans obstruction.

note:
Cet appareil ne supporte aucune charge.

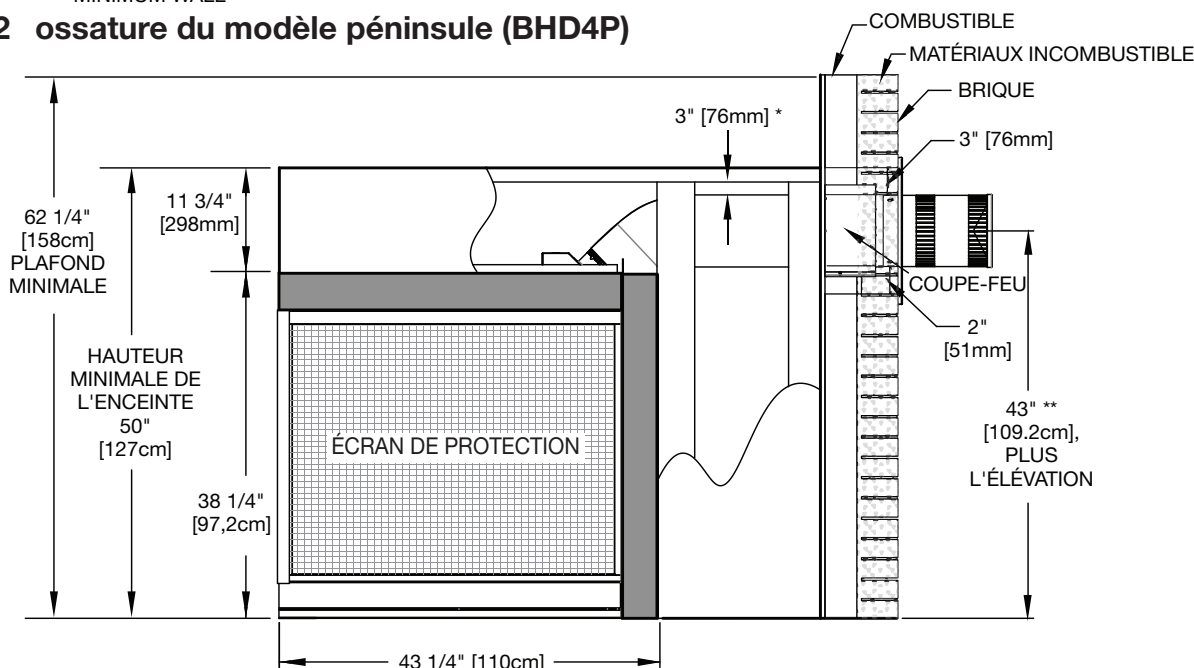
IMPORTANT: L'assemblage de l'espaceur coupe-feu fourni doit être utilisé lorsque les conduits d'évent passent à travers un mur ou dans des installations avec terminaison horizontale.

Si vous réduire l'évacuation à 4/7", un nouveau coupe-feu (W010-3440) est requis.

4.2.1 ossature du modèle binaire (BHD4ST)



4.2.2 ossature du modèle péninsule (BHD4P)



* À l'intérieur de l'enceinte, un dégagement de 3" (76mm) est requis entre le haut du conduit d'évacuation et les matériaux combustibles. Pour tout autre dégagement à l'intérieur de l'enceinte, y compris l'endroit où le conduit d'évacuation sort de l'enceinte, l'espacement requis est de 2" (51mm) à partir des côtés et du bas, de 3" (76mm) à partir du haut pour les sections horizontales, et de 2" (51mm) pour les sections verticales.

La zone ombragée peut être finie avec un matériau incombustible mais ne doit pas dépasser l'ouverture de l'appareil.

** Voir la section « évacuation ».

5.0 installation d'évacuation

FR

AVERTISSEMENT

- Avant d'effectuer les branchements pour l'alimentation en gaz et électronique, assurez-vous de retirer toute composante non fixée à l'intérieur de la chambre de combustion.
- **Si votre appareil comprend un système de télécommande, assurez-vous que le récepteur est à la position « OFF » avant d'effectuer les branchements pour l'alimentation en gaz et électronique.**
- Afin d'assurer un fonctionnement sécuritaire et adéquat de l'appareil, vous devez observer les instructions d'évacuation à la lettre.
- Tous les joints des conduits doivent être scellés avec du scellant de silicone rouge à haute température RTV (W573-0002) (non fourni) ou du scellant noir à haute température Mill Pac (W573-0007) (non fourni) à l'exception du raccordement du conduit d'évacuation à la buse de l'appareil qui doit être scellé avec le scellant Mill Pac.
- Si vous utilisez des colliers pour tuyau pour raccorder les composants d'évacuation, vous devez aussi installer trois vis pour vous assurer que le raccordement ne défasse pas.
- Ne serrez pas la gaine flexible.
- Risque d'incendie, d'explosion ou d'asphyxie. Si l'ensemble du système de conduit d'évent n'est pas adéquatement soutenu, il risque de fléchir ou de se séparer. Utilisez des supports de conduit et raccordez les sections de conduits selon les instructions d'installation.
- Risque d'incendie. Évitez que l'isolant touche au conduit d'évacuation. Retirez l'isolant pour permettre l'installation de l'écran protecteur du grenier et pour maintenir les dégagements aux matériaux combustibles.
- Ne remplissez pas l'espace entre le conduit d'évent et la charpente avec aucun type de matériau. Ne bourrez pas d'isolant ni de matériaux combustibles entre les espaceurs coupe-feu du plafond. Conservez toujours les dégagements requis autour des conduits d'évent et l'assemblage de l'espaceur coupe-feu. Installez les écrans muraux et les espaceurs coupe-feu tel que spécifié. Si vous ne gardez pas l'isolant ou tout autre matériau à l'écart du conduit d'évent, un risque d'incendie pourrait s'ensuivre.
- **Pour les poêles à gaz seulement:** Si l'appareil est installé directement sur un tapis, sur une surface de vinyle, ou tout autre revêtement de plancher combustible autre que le bois, l'appareil devra être monté sur un panneau continu de métal ou de bois se prolongeant sur toute la largeur et la profondeur, sauf indication contraire à l'essai.

Pour une performance optimale de l'appareil, toutes les courses horizontales devraient avoir une élévation minimale de 1/4" (6mm) par pied/mètre lorsque vous utilisez des composants flexibles d'évacuation. Afin d'assurer un fonctionnement sécuritaire et adéquat de l'appareil, vous devez observer les instructions d'évacuation à la lettre.

Pour les dégagements du conduit d'évent aux matériaux combustibles, voir la section « dégagements minimaux aux matériaux combustibles ».

note:

Lorsque les conduits traversent un mur ou un plancher combustible, vous devez utiliser l'espaceur coupe-feu / protecteur de conduit d'évacuation fourni avec l'appareil.

5.1 installation horizontale

! AVERTISSEMENT

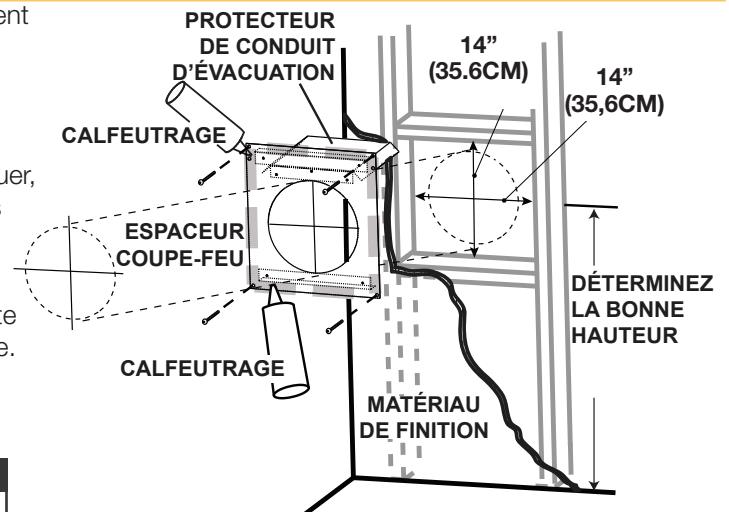
- L'espaceur coupe-feu doit être installé avec l'écran protecteur orienté vers le haut.
- La terminaison ne doit pas être enchâssée dans le mur ou le revêtement extérieur plus que l'épaisseur de la bride de la plaque de montage.

Cette configuration s'applique lorsque le conduit d'évent traverse un mur extérieur. Une fois que vous aurez déterminé la hauteur exacte pour l'emplacement de la terminaison, découpez et charpentez une ouverture dans le mur extérieur, comme illustré, pour permettre l'installation de l'espaceur coupe-feu. Avant de continuer, placez les supports sur la surface arrière soient placés contre la face intérieure de la pièce de charpente horizontale.

L'écran protecteur doit être installer pour protéger toute la profondeur de la pénétration de la paroi combustible. La longueur de l'écran protecteur peut être taillé pour des murs combustibles qui ont moins de 6" (152mm) d'épaisseur.

note:

Pliez les onglets pour les dégagements latéraux réduits ou déplacer le bouclier Meilleurs jeux réduits. Ne remplir pas l'espace d'air entre l'espaceur coupe-feu et le mur extérieur avec n'importe quel type de matériaux isolant (e.x., mousse de pulvérisation).



note:

Ce qui précède est uniquement à des fins d'illustration. Les événements ne passent pas toujours par le centre du cadre.

- Appliquez un joint de calfeutrage (non fourni) tout autour de la bordure de la face intérieure de l'espaceur coupe-feu, installez l'espaceur coupe-feu contre la trou et fixez à l'aide des quatre vis (fournies dans le sac de votre manuel).
- Une fois que le conduit d'évent est en place, appliquez du scellant Mill Pac rouge (W573-0002) (non fourni) entre le conduit d'évent et l'espaceur coupe-feu.

installation d'évacuation

FR

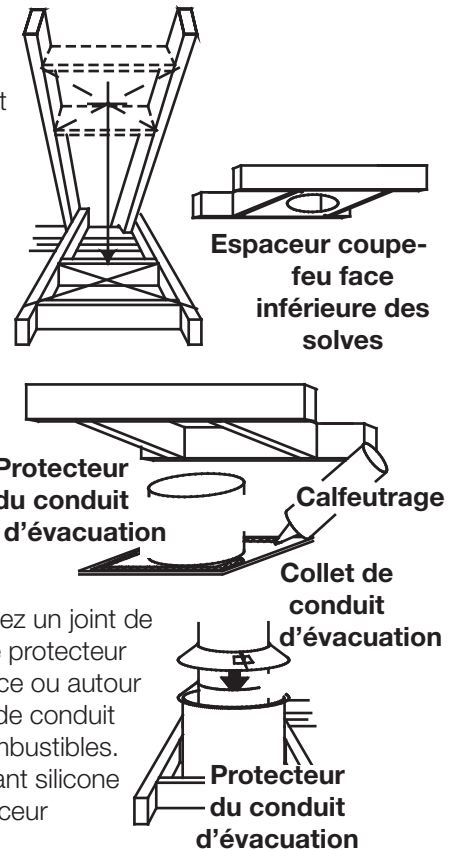
5.2 installation verticale

Cette configuration s'applique lorsque l'évacuation se fait à travers un toit. Des ensembles d'installation pour les différentes pentes de toit sont disponibles chez votre détaillant autorisé. Voir la section « accessoires » dans le manuel du propriétaire pour commander l'ensemble spécifique dont vous avez besoin.

A. Une fois que vous aurez déterminé l'emplacement de la terminaison, découpez et charpentez une ouverture dans le plafond et le toit pour laisser le dégagement minimal de 1" (25,4mm) entre le conduit d'évent et tout matériau combustible. Essayez de positionner le conduit d'évent à mi-chemin entre deux solives pour ne pas être obligé de les couper. Utilisez du fil à plomb pour aligner le centre des ouvertures. Un protecteur de conduit d'évacuation empêchera tout matériau, tel que l'isolant, de remplir l'espace vide de 1" (25,4mm) autour de l'évent. Fixez des entretoises entre les solives pour assurer un support additionnel.

B. Appliquez un joint de calfeutrage (non fourni) sur la charpente ou sur le protecteur de conduit d'évacuation Wolf Steel ou l'équivalent (dans le cas d'un plafond fini) et fixez le protecteur de conduit d'évacuation de façon à recouvrir l'ouverture dans le plafond. Un espaceur coupe-feu doit être fixé à la base de chaque ouverture charpentée dans un toit ou un plafond par lequel traverse le système d'évacuation. Appliquez un joint de calfeutrage tout autour et placez un espaceur coupe-feu par-dessus le protecteur de conduit d'évacuation pour empêcher l'arrivée d'air froid dans la pièce ou autour de l'appareil. Assurez-vous que l'espaceur coupe-feu et le protecteur de conduit d'évacuation conservent le dégagement nécessaire aux matériaux combustibles. Une fois que le conduit d'évacuation est en place, appliquez une scellant silicone rouge (W573-0002) (non fourni) entre le conduit d'évacuation et l'espaceur coupe-feu.

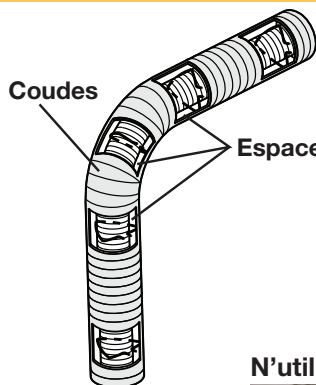
C. Dans le grenier, faites glisser le collet de conduit d'évacuation vers le bas afin de recouvrir l'extrémité ouverte du protecteur de conduit d'évacuation et serrez. Ceci empêchera tout matériau, tel que l'isolant, de remplir l'espace vide de 1 po (25,4mm) autour de l'évent



5.3 utilisation de composants flexibles d'évacuation

! AVERTISSEMENT

- Ne laissez pas la gaine flexible se tasser contre les courses horizontales ou verticales et les coudes. Gardez-la tendue.
- Des espaceurs sont fixés à la gaine flexible à intervalles prédéterminés afin de garder un espace vide avec le conduit extérieur. Pour que le fonctionnement soit sécuritaire, un espace vide est requis. Un espaceur est requis au début, au milieu et à la fin de chaque coude afin de maintenir cet espace vide. N'enlevez pas ces espaceurs.



Afin d'assurer une opération sécuritaire et adéquate de l'appareil, vous devez observer les instructions d'évacuation à la lettre.

Le système d'évacuation doit être soutenu à peu près tous les 3 pieds (0,9m) de courses verticales et horizontales. Utilisez l'ensemble de support mural Wolf Steel ou des supports incombustibles équivalents afin de conserver le dégagement minimal aux matériaux combustibles pour les courses verticales et horizontales.

Tous les joints des conduits intérieurs et extérieurs peuvent être scellés avec du scellant de silicone rouge à haute température W573-0002 (non fourni) ou du scellant noir à haute température Mill Pac W573-0007 (non fourni) à l'exception du raccordement du conduit d'évacuation à la buse de l'appareil qui doit être scellé avec le scellant Mill Pac.

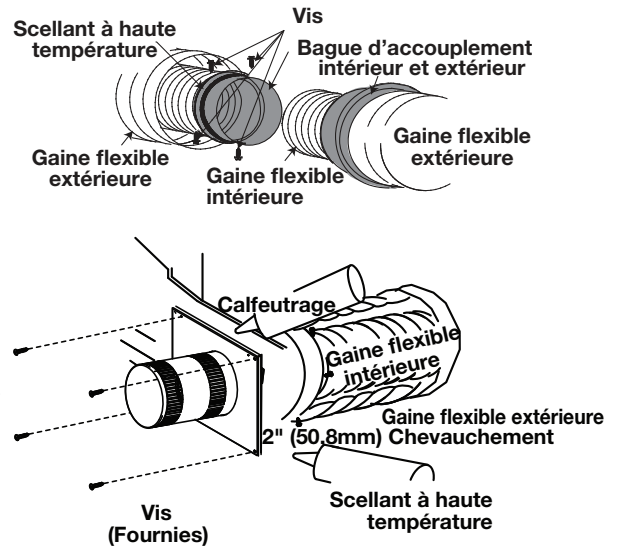
N'utilisez que les ensembles certifiés de gaines flexibles portant l'inscription:



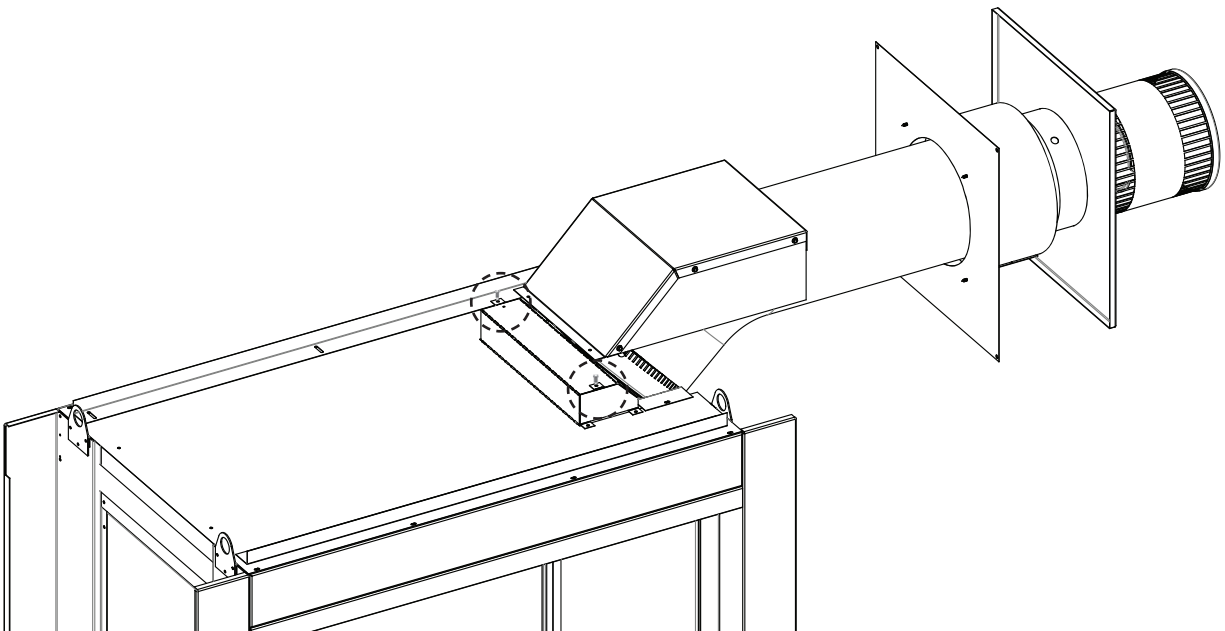
« Wolf Steel Approved Venting » « E2 » comme identifié par les gaines flexibles.

5.3.1 installation de la terminaison horizontale

- A. Étirez la gaine flexible intérieure à la longueur requise en tenant compte de la longueur additionnelle nécessaire pour la surface du mur fini. Appliquez un généreux joint de scellant à haute température Mill Pac (W573-0007) (non fourni). Glissez la gaine flexible sur le manchon intérieur de la terminaison en assurant un chevauchement minimal de 2" (50,8mm) et fixez à l'aide d'une minimum de trois vis.
- B. Installez la gaine flexible extérieure en la glissant sur le manchon extérieur de la terminaison et fixez à l'aide d'une minimum de trois vis. Scellez avec du scellant à haute température RTV rouge (W573-0002) (non fourni).
- C. Insérez les gaines dans le coupe-feu tout en conservant le dégagement nécessaire aux matériaux combustibles. En soutenant la terminaison (les inscriptions étant à l'endroit et lisibles), fixez-la au mur extérieur et rendez-la étanche en la scellant avec du calfeutrage (non fourni).
- D. Si plus de sections de gaine doivent être utilisées pour atteindre l'appareil, raccordez-les ensemble tel qu'illustré. Le système d'évacuation doit être soutenu à environ tous les 3 pieds (0,9m) pour les courses verticales et horizontales. Utilisez des supports incombustibles afin de maintenir le dégagement minimal aux matériaux combustibles.
- E. Le conduit d'évacuation doit être seulement installé en utilisant une terminaison horizontale. Enlevez les deux vis plus proches du conduit du collet, au-dessus de l'appareil. Aligner et fixer la protecteur de chaleur (fourni) à l'appareil. Ajuster la protecteur de chaleur jusqu'à ce que c'est contre l'espaceur coupe-feu, comme illustré ci-dessous.



Les terminaisons ne doivent pas être enchâssées dans un mur ou un revêtement extérieur plus que l'épaisseur de la bride de la plaque de montage.



installation d'évacuation

FR

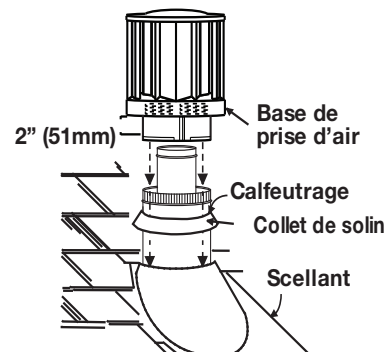
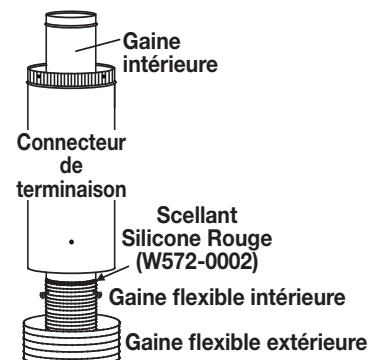
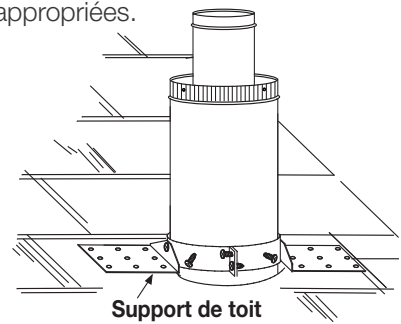
5.3.2 installation de la terminaison verticale

! AVERTISSEMENT

- Conservez un espace minimale de 2 po (51mm) entre la base de la prise d'air et le collet de solin.

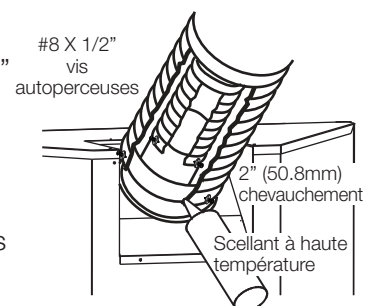
Matériel de fixation fourni avec les ensembles de terminal pour toit et raccord appropriées.

- Fixez le support de toit au toit à l'aide de 6 vis. Le support de toit est optionnel. Dans ce cas, l'évent doit être supporté adéquatement soit en utilisant une méthode alternative se conformant aux normes des autorités compétentes, soit en utilisant le support de toit optionnel.
- Étirez la gaine flexible intérieure à la longueur requise. Glissez la gaine flexible intérieure sur le conduit intérieur du connecteur de terminaison en assurant un chevauchement minimal de 2 po (51mm). Fixez à l'aide d'au moins trois vis, lorsque vous utilisant une évent de 4/7, 5/8 et 3/5 ou une minimum de six vis lorsque vous utilisant une évent de 8/10 ou 8/11. Scellez en appliquant un généreux joint de scellant silicone rouge (W573-0002) (non fourni).
- Répétez avec la gaine flexible extérieure, en appliquant la silicone à haute température rouge (W573-0002) (non fourni) et en utilisant au moins trois vis, lorsque vous utilisant une évent de 4/7, 5/8 et 3/5 ou une minimum de six vis lorsque vous utilisant une évent de 8/10 ou 8/11.
- Faites passer le montage du connecteur de terminaison/gaines flexibles à travers le toit. La terminaison doit être verticale et d'aplomb. Fixez le connecteur de terminaison au support de toit en vous assurant que le dessus de la terminaison excède le côté le plus élevé du toit d'au moins 16" (40,6cm) une fois fixée.
- Enlevez les clous des bardeaux sur le dessus et les côtés du connecteur de terminaison. Placez le solin par-dessus le connecteur de terminaison en laissant un minimum de 3/4" (19,1mm) de connecteur de terminaison visible au-dessus du haut du solin. Glissez le solin sous les côtés et le bord supérieur des bardeaux. Assurez-vous que le connecteur de terminaison est bien centré dans le solin, en laissant une marge de 3/4" (19,1mm) tout autour. Fixez-le au toit. Ne clouez pas à travers la partie inférieure du solin. Imperméabilisez-le en le scellant avec du calfeutrage. Si possible, recouvrez les côtés et le bord supérieur du solin avec des matériaux de couverture.
- Alignez les joints de la terminaison et du connecteur de terminaison et placez la terminaison par-dessus le connecteur de terminaison en vous assurant que le manchon pénètre dans le trou de la terminaison. Fixer avec au moins de trois vis, lorsque vous utilisant une évent de 4/7, 5/8 et 3/5 ou une minimum de six vis lorsque vous utilisant une évent de 8/10 ou 8/11.
- Appliquez un généreux joint de calfeutrage à l'épreuve de l'eau à 2" (51mm) au-dessus du solin. Installez le collet de solin autour de la terminaison et glissez-le jusqu'à la ligne de calfeutrage. Serrez afin d'assurer l'étanchéité entre la terminaison et le collet.
- Si plus de sections de gaine doivent être utilisées pour atteindre l'appareil, voir la section « **installation de la terminaison horizontale** ».



5.3.3 raccordement des événements à l'appareil

- Raccordez la gaine flexible intérieure à l'appareil. Fixez-la à l'aide d'au moins trois vis et rondelles lorsque vous utilisant une évent de 3"5", 4"7" ou 5"8" ou une minimum de six vis et rondelles lorsque vous utilisant une évent de 8"10" ou 8"11". Scellez le joint et les têtes de vis avec du scellant à haute température W573-0007 (non fourni).
- Fixez-la à l'aide d'au moins trois vis et rondelles lorsque vous utilisant une évent de 3"5", 4"7" ou 5"8" ou une minimum de six vis et rondelles lorsque vous utilisant une évent de 8"10" ou 8"11". Fixez et scellez les joints avec du scellant à haute température W573-0002 (non fourni).



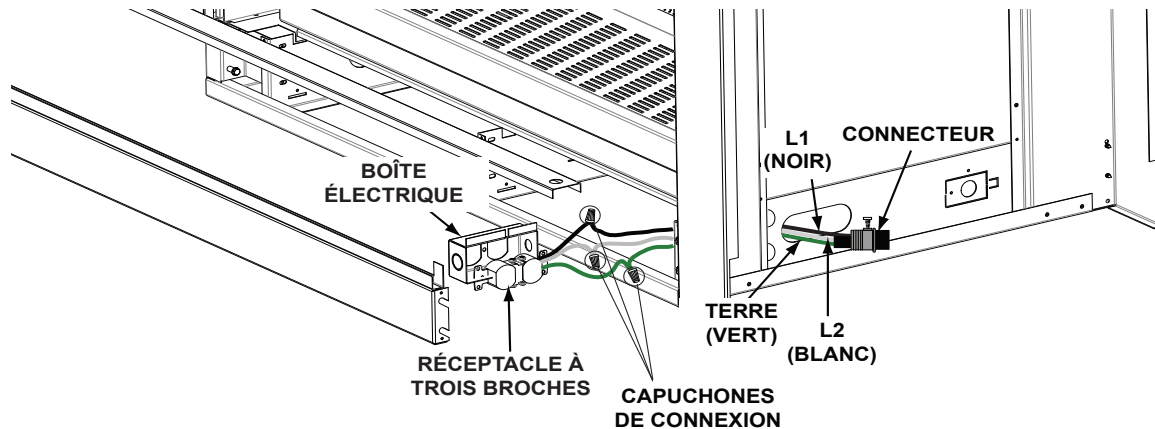
6.1 connexion de câblage dur

Vous devez effectuer un branchement par câble avec cet appareil.

Une charpente permanente servant à encastrer l'appareil nécessite un branchement par câble de la boîte de dérivation de l'appareil.

Cet appareil doit être raccordé électriquement et mis à la terre conformément aux codes locaux. En l'absence de codes locaux, utilisez la version courante du CODE CANADIEN DE L'ÉLECTRICITÉ CSA C22 .1 au Canada ou le NATIONAL ELECTRICAL CODE ANSI/NFPA 70-1996 aux États-Unis.

6.2 schéma de câblage du réceptacle



note:

Garantir que le transformateur est connecté à la réceptacle.

6.3 schéma de câblage électronique

! AVERTISSEMENT

- N'utilisez pas cet appareil si une partie quelconque a été submergée. Contactez immédiatement un technicien de service qualifié pour inspecter l'appareil pour des dommages au circuit électrique.
- Risque de chocs électriques ou d'explosion. Ne branchez pas le 110 V à la soupape ou à l'interrupteur mural de l'appareil. Un branchement électrique incorrecte endommagera les contrôles.
- Cet appareil doit être raccordé électriquement par un électricien qualifié conformément aux codes locaux. En l'absence de codes locaux, utilisez la version courante du Code Canadien de l'Électricité CSA22.1 ou le National Electrical Code ANSI/NFPA NO. 70 aux États-Unis.
- Allumez toujours la veilleuse, que ce soit pour la première fois ou lorsque l'approvisionnement en gaz est épuisé, avec la porte vitrée ouverte ou retirée.

information électriques

FR

6.4 installation de la sauvegarde de pile

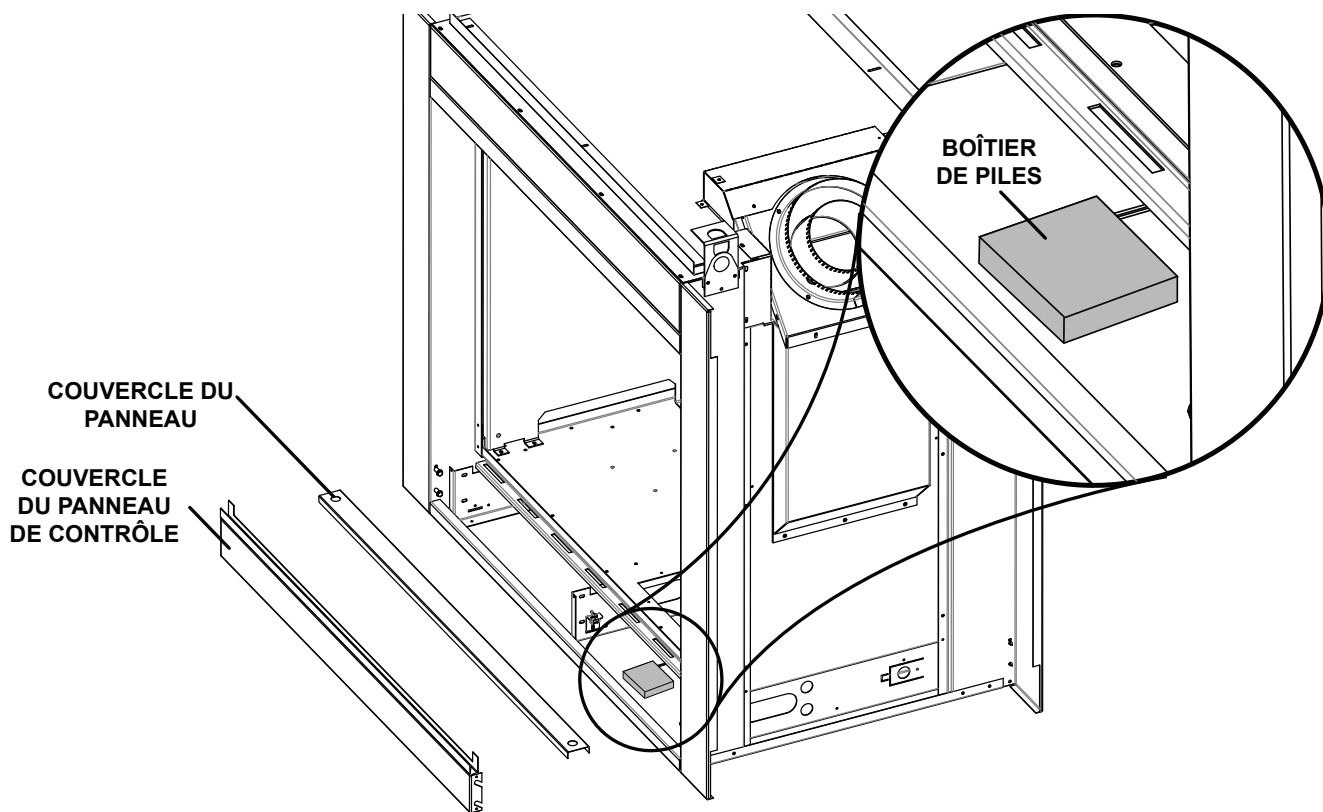
note:

En cas d'une panne de courant, votre appareil peut fonctionner utilisant le sauvegarde de pile fourni.

- A. Enlèvez l'écran de protection et la porte, référez aux sections « retrait de l'écran de protection principal et l'installation » et « installation / enlèvement de la porte principal ».
- B. Enlèvez le couvercle du panneau utilisant les deux trous pour les doigts, puis enlèvez le couvercle du panneau de contrôle en le soulevant vers le haut et hors des quatre vis à épaulement. Sela facilitera l'accès au boîtier de piles.
- C. Pour installer les piles, enlèvez la boîtier de piles dans le compartiment de contrôle, tel qu'illustré ci-dessous.
- D. Installez les 4 piles « AA », en assurant que les extrémités positive et négative correspondent avec celles de la boîtier de piles.
- E. Placez la boîtier de piles en position ou laissez-la rester sur le foyer pour la durée de la panne du courant.

note:

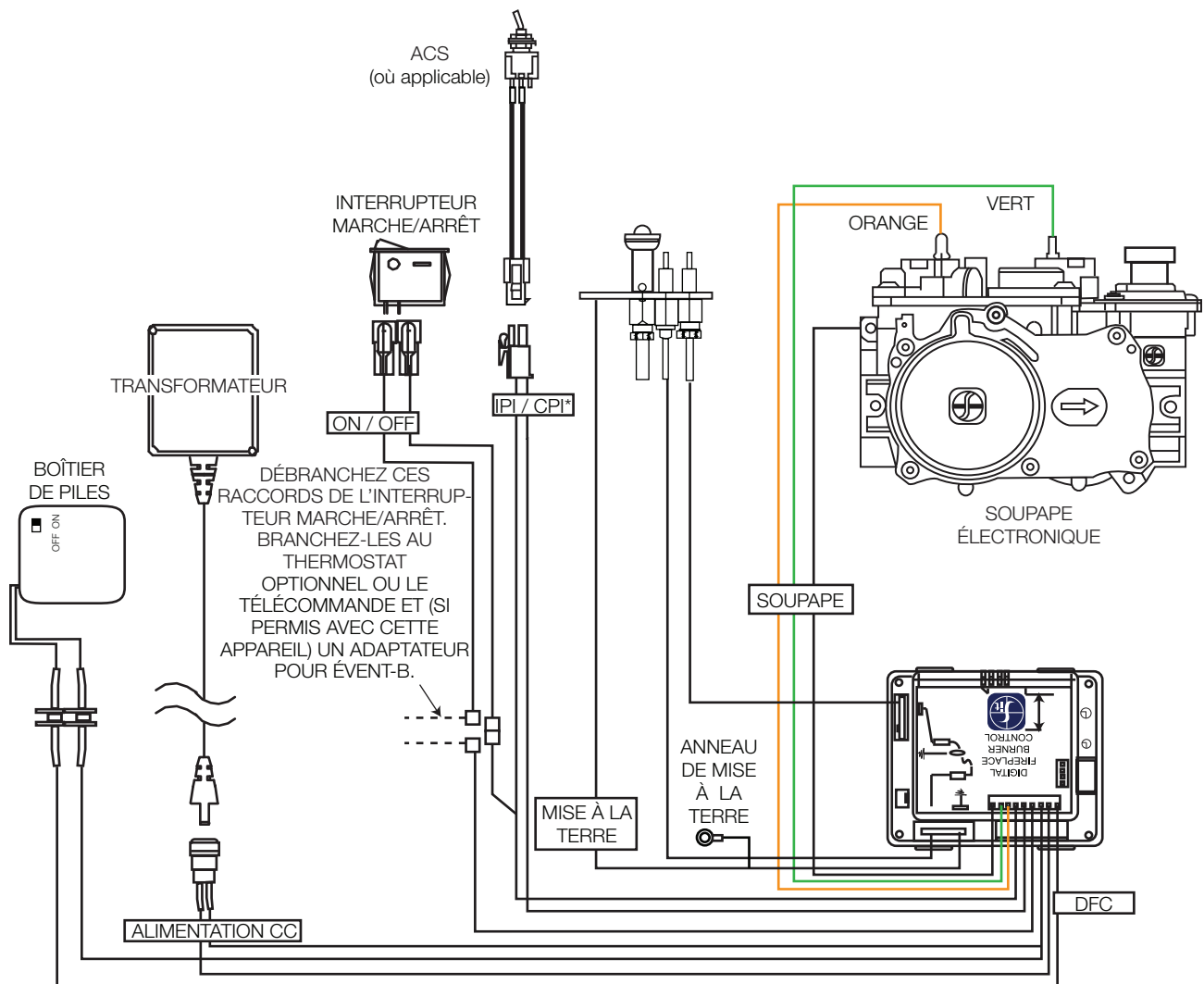
Une fois que le courant a été rétabli, débrancher le sauvegarde de pile ou Enlevez les piles.



6.5 schéma de câblage

⚠️ AVERTISSEMENT

- Ne raccordez pas l'interrupteur mural ou la soupape de gaz à l'alimentation électrique (110 volts).



S'IL Y A LIEU, LES APPAREILS AVEC LES ADAPTATEURS POUR ÉVENT-B DOIVENT AVOIR L'INTERRUPTEUR D'ÉCOULEMENT BRANCHÉ EN SÉRIE AVEC L'INTERRUPTEUR ACTUEL OU L'INTERRUPTEUR MURAL OPTIONNEL, LE THERMOSTAT OU LE SYSTÈME DE TÉLÉCOMMANDE.

note:

Cet appareil est équipé avec un boîtier de piles. Si le boîtier de piles est utilisé, installez quatre piles AA (non fournies) dans le support et branchez-le au harnais de fils. Branchez le boîtier de piles au harnais de fils avant d'utiliser l'appareil. Placez-le près du panneau DFC. Si le boîtier de piles est utilisé, il doit être branché au bloc-piles 6 volts (fourni).

Légende

DFC	Commande Digital de Foyer
CC	Courant Continu
IPI	Allumage de Pilote Intermittent
CPI	Allumage de Pilote Continu (avec minuterie de 7 jours)
ACS	Interrupteur Contre la Condensation (IPI / CPI)

7.0 branchement du gaz

FR

AVERTISSEMENT

- Risque d'incendie, d'explosion, ou d'asphyxie. Assurez-vous qu'il n'y ait aucune source d'allumage comme des étincelles ou une flamme nue.
- Soutenez le contrôle du gaz lorsque vous attachez le tuyau pour éviter de plier la conduite de gaz.
- Allumez toujours la veilleuse, que ce soit pour la première fois ou lorsque l'approvisionnement en gaz est épuisé, avec la porte vitrée ouverte ou retirée. La purge doit être effectuée par un technicien qualifié. Assurez-vous que l'arrivée de gaz au brûleur est continue avant de fermer la porte. Assurez-vous d'une ventilation adéquate pour les emplacements de l'entrée du gaz et de l'entrée électrique, voir la section « dimensions ».
- Lorsque le branchement est terminé, tous les raccords de gaz doivent se trouver à l'intérieur de l'appareil **(foyer de gaz seulement)**.
- Les pressions élevées endommageront la soupape. L'alimentation en gaz doit être débranchée pendant les essais de pression de ce système lorsque les pressions d'essai excèdent 1/2 LB/PO² (3,5 KPA).
- Les réglages de la soupape ont été faits en usine; ne les modifiez pas.

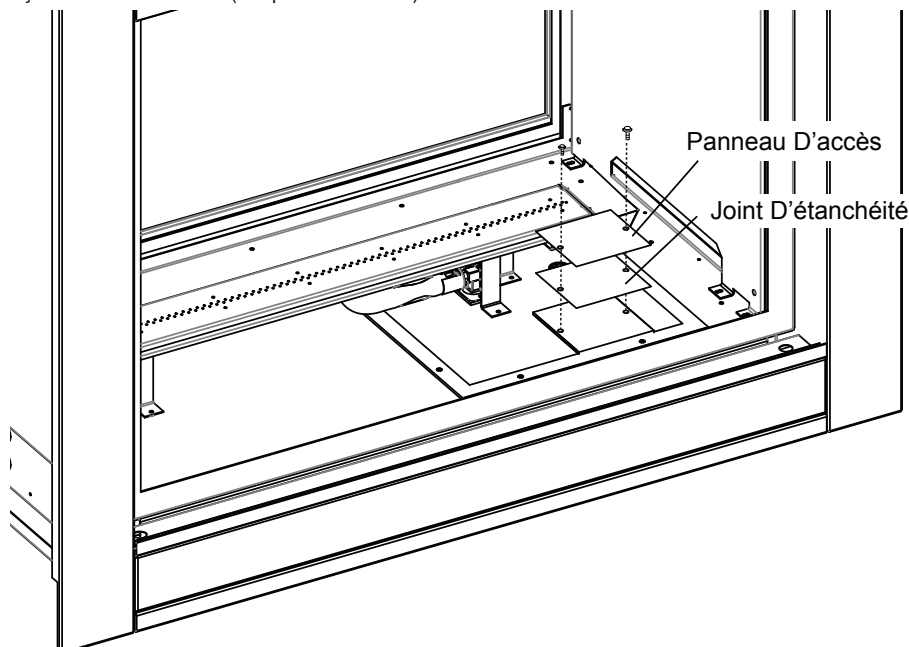
L'installation et l'entretien doivent être effectués par un installateur qualifié.

- Mettez l'appareil en place et fixez-le.
- Si l'appareil est muni d'un raccord flexible, celui-ci est conçu pour recevoir une conduite de gaz de 1/2" (13mm). Sans raccord flexible, l'appareil est conçu pour recevoir une conduite de gaz de 3/8" (9,5mm). L'appareil est muni d'une soupape d'arrêt manuelle pour fermer l'alimentation en gaz.
- Branchez le gaz en conformité avec les codes locaux. En l'absence de codes locaux, l'installation doit être conforme au Code d'installation du gaz CAN/CSA-B149.1 dans sa version pour le Canada ou le National Fuel Gas Code, ANSI Z223.1 / NFPA 54 pour les États-Unis.
- Lorsque vous manipulez des conduites de gaz, soutenez la soupape de gaz pour éviter que les conduites ne se plient.
- Le raccord flexible de l'alimentation en gaz devrait être suffisamment mobile pour permettre de placer l'assemblage de brûleur sur le côté pour aider avec l'entretien des composants.
- Vérifiez pour des fuites de gaz en appliquant une solution d'eau savonneuse. **N'utilisez jamais une flamme nue.**

Après avoir installé le câblage électrique et les conduites de gaz, assurez-vous de tester l'appareil avant de finir l'encadrement et la finition de l'appareil.

7.1 panneau d'accès pour la conduite de gaz

- A. Enlevez l'écran de protection et le porte de l'appareil, voir la section « retrait de l'écran principal et l'installation ».
- B. Enlevez les composants décoratif et le plateau du l'appareil, voir la section « enlèvement du brûleur pour roches ».
- C. Dévissez les deux vis qui fixent le panneau d'accès de l'appareil.
- D. Enlevez le joint d'étanchéité (ne pas déchirer).

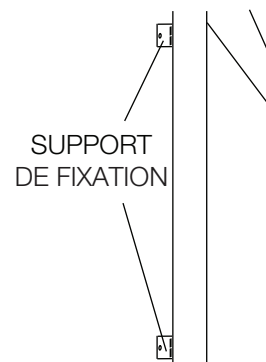


8.0 installation des pattes de cloutage

FR

Afin de déterminer l'emplacement définitif des supports de fixation, vous devez d'abord calculer l'épaisseur des matériaux de finition (p. ex. panneau de gypse). Ceci permettra de calculer les dimensions à partir de la face du caisson extérieur jusqu'aux supports de fixation. Une fois que vous avez déterminé l'emplacement définitif, fixez à l'aide d'une vis auto-perceuse*.

* Les vis additionnelle peut être installée.



9.0 opération

FR

AVERTISSEMENT

- Si ces instructions ne sont pas suivies à la lettre, un incendie ou une explosion pourraient s'ensuivre, causant des dommages matériels, des blessures corporelles ou des pertes de vie.
- Si applicable, allumez toujours la veilleuse, que ce soit pour la première fois ou lorsque l'approvisionnement en gaz est épuisé, avec la porte vitrée ouverte ou retirée.

Assurez-vous que l'arrivée de gaz au brûleur est continue avant d'installer la porte. Lorsqu'il est allumé pour la première fois, l'appareil dégagera une légère odeur pendant quelques heures. Cela est une condition normale temporaire causée par le conditionnement des bûches et l'évaporation des peintures et lubrifiants internes utilisés dans le processus de fabrication; elle ne se reproduira plus. Après de longues périodes sans utiliser l'appareil, comme à la suite de vacances ou à la fin de l'été, il se peut qu'une légère odeur se dégage pendant quelques heures. Ceci est causé par des particules de poussière brûlant dans l'échangeur de chaleur. Dans les deux cas, ouvrez une fenêtre pour aérer la pièce.

POUR VOTRE SÉCURITÉ, LISTEZ CE QUI SUIT AVANT D'ALLUMER L'APPAREIL:

- Ne pas allumer si des enfants ou d'autres individus à risque sont à proximité de la veilleuse.
- Cet appareil est équipé d'un dispositif d'allumage qui allume automatiquement la veilleuse. N'essayez pas de l'allumer manuellement.
- Avant d'allumer, sentez autour de l'appareil et près du plancher afin de vous assurer qu'il n'y a pas de fuite de gaz. Certains gaz sont plus lourds que l'air et se déposeront au niveau du plancher.
- N'utilisez pas cet appareil si une partie quelconque a été submergée. Contactez immédiatement un technicien qualifié pour l'inspecter et pour remplacer toute pièce du système de contrôle et du contrôle du gaz qui aurait été submergée.

QUE FAIRE SI VOUS DÉTECTEZ UNE ODEUR DE GAZ

- Coupez l'alimentation en gaz à l'appareil.
- Ouvrez les fenêtres.
- N'allumez aucun appareil.
- Ne touchez à aucun interrupteur électrique; n'utilisez aucun téléphone dans votre immeuble.
- De la maison d'un voisin, appelez immédiatement votre fournisseur de gaz et suivez ses instructions.
- Si vous ne pouvez pas rejoindre votre fournisseur de gaz, appelez le service des incendies.

INSTRUCTIONS D'ALLUMAGE

note:

Cet appareil est équipé d'un dispositif d'allumage qui s'allume automatiquement la veilleuse. N'essayez pas de l'allumer manuellement.

- A.** Arrêtez! Lisez les consignes de sécurité ci-dessus.
- B.** Enlevez tous les piles de la télécommande et réglez le thermostat au réglage minimum, si équipé.
- C.** Coupez l'alimentation électrique à l'appareil.
- D.** Ouvrir la porte de l'appareil, si équipé.
- E.** Tournez le bouton de contrôle du gaz vers la droite à « OFF ». (Elle est situé sur le connecteur flexible).
- F.** Attendez cinq (5) minutes pour que le gaz puisse s'échapper. Si vous détectez une odeur de gaz, incluant au niveau du plancher, **ARRÊTEZ!** et suivez les instructions ci-dessus « QUE FAIRE SI VOUS DÉTECTEZ UNE ODEUR DE GAZ ». Continuez à l'étape suivante si vous ne sentez pas de gaz.
- G.** Tournez le soupape fermeture manuelle vers la gauche à « ON ».
- H.** Rétablissez l'alimentation électrique à l'appareil et installez les piles dans le télécommande, si équipé. Réglez le thermostat à la position désirée, si équipé.
- I.** Tournez l'interrupteur murale de l'appareil à la position « ON ».
- J.** Si l'appareil ne fonctionne pas, suivre les instructions de « couper l'alimentation de gaz » et puis appelez votre technicien de service ou fournisseur de gaz.

COUPEZ L'ALIMENTATION DE GAZ

- A.** Réglez le thermostat à la réglage le plus bas, si équipé.
- B.** Tournez l'interrupteur murale de l'appareil à la position « OFF ».
- C.** Coupez l'alimentation électrique à l'appareil si un travail d'entretien doit être faites.
- D.** Tournez le soupape fermeture manuelle vers la gauche « OFF ». Ne forcez pas.

9.1 veilleuse sur demande

Cet appareil est équipé d'un système de veilleuse à allumage intermittent (IPI) « Sur demande » qui comprend également un mode de veilleuse permanente (CPI) avec une minuterie intégrée de sept jours. Ce système minimise l'empreinte carbone de votre appareil et réduit sa consommation annuelle de combustible ainsi que son coût de fonctionnement.

En mode intermittent (IPI), la veilleuse s'allume avant le brûleur principal, lorsque l'appareil est allumé à l'aide d'un interrupteur, d'une télécommande ou d'un appel de chaleur par le thermostat (s'il y a lieu). Une fois l'appareil éteint (ou l'appel de chaleur satisfait), le brûleur principal et la veilleuse s'éteignent.

Le mode continu (CPI) est destiné à améliorer les performances de l'appareil pendant la phase d'allumage dans des climats plus froids et par temps extrême en maintenant le système au chaud lorsque le brûleur principal n'est pas allumé. Cependant, la fonction de minuterie permet d'éteindre automatiquement la veilleuse lorsque l'appareil n'est pas utilisé pendant sept jours afin de réduire la consommation de combustible.

Lorsque le mode continu (CPI) est activé, la veilleuse reste allumée après que le brûleur principal soit éteint. Une minuterie commencera alors le décompte pendant environ sept jours avant d'éteindre la veilleuse si l'appareil n'est pas utilisé. Ce décompte se réinitialisera chaque fois que le brûleur principal de l'appareil sera allumé. Par conséquent, si l'appareil est utilisé régulièrement sur une base journalière, la veilleuse restera allumée. Ce système ne requiert donc pas que l'utilisateur se souvienne d'éteindre la veilleuse à l'approche de l'été, évitant de consommer inutilement du combustible tout en demeurant prêt à être rallumé lorsque le temps froid est de retour.



Votre appareil peut être équipé d'un interrupteur anticondensation ACS ou d'une télécommande qui vous permet de sélectionner les modes IPI ou CPI.

Si votre appareil est équipé d'un interrupteur ACS, il offre la possibilité de changer de mode. Si l'interrupteur est installé avec le fil bleu orienté vers le haut, basculer l'interrupteur vers le HAUT activera la veilleuse permanente avec la minuterie tandis que basculer l'interrupteur vers le BAS activera le mode d'allumage intermittent de la veilleuse. Si l'interrupteur est installé avec le fil blanc orienté vers le haut, c'est l'inverse qui se produit.

Si votre appareil est pourvu d'une télécommande qui vous permet de sélectionner les modes IPI ou CPI, reportez-vous aux instructions de fonctionnement de la télécommande.

Pour démarrer la veilleuse, en allumant le brûleur principal à l'aide de l'interrupteur, de la télécommande ou du thermostat, et ensuite en l'éteignant, réactivera le mode veilleuse permanente et réinitialisera la minuterie de sept jours.

Pour plus d'informations, consultez le site www.napoleon.com/pilotondemand.

10.0 instructions de fonctionnement

Lorsqu'il est allumé pour la première fois, ce foyer dégagera une légère odeur pendant quelques heures. Cela est une condition normale temporaire causée par le conditionnement des bûches et l'évaporation des peintures et lubrifiants internes utilisés dans le processus de fabrication; elle ne se reproduira plus. Simplement ouvrez une fenêtre pour aérer la pièce. Après de longues périodes sans utiliser le foyer, comme à la suite de vacances ou à la fin de l'été, il se peut qu'une légère odeur se dégage pendant quelques heures. Ceci est causé par des particules de poussière brûlant dans l'échangeur de chaleur, ouvrez une fenêtre pour aérer la pièce.

10.1 instructions de fonctionnement - pour votre sécurité lire ces instructions avant de faire fonctionner

OPERATING INSTRUCTIONS / INSTRUCTIONS D'OPÉRATION
FOR YOUR SAFETY READ BEFORE OPERATING / POUR VOTRE SÉCURITÉ LIRE AVANT DE FAIRE FONCTIONNER

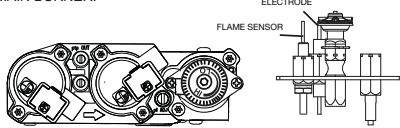
<p>WARNING: DO NOT TURN ON IF CHILDREN OR OTHER AT RISK INDIVIDUALS ARE NEAR THE APPLIANCE. IF YOU DO NOT FOLLOW THESE INSTRUCTIONS EXACTLY, A FIRE OR EXPLOSION MAY RESULT CAUSING PROPERTY DAMAGE, PERSONAL INJURY OR LOSS OF LIFE. INITIAL LIGHTING OF THE PILOT AND MAIN BURNERS MUST BE DONE WITH THE GLASS DOOR OFF. DO NOT CONNECT VALVE OR WALL SWITCH TO ELECTRICITY. SEE INSTALLATION INSTRUCTIONS.</p> <p>A. THIS APPLIANCE IS EQUIPPED WITH AN IGNITION DEVICE WHICH AUTOMATICALLY LIGHTS THE PILOT. DO NOT TRY TO LIGHT BY HAND. B. BEFORE OPERATING, SMELL ALL AROUND THE APPLIANCE AREA FOR GAS AND NEXT TO THE FLOOR BECAUSE SOME GAS IS HEAVIER THAN AIR AND WILL SETTLE ON THE FLOOR.</p> <p>WHAT TO DO IF YOU SMELL GAS:</p> <ul style="list-style-type: none"> • TURN OFF ALL GAS TO THE APPLIANCE. • OPEN WINDOWS. • DO NOT TRY TO LIGHT ANY APPLIANCE. • DO NOT TOUCH ANY ELECTRICAL SWITCH; DO NOT USE ANY PHONE IN YOUR BUILDING. • IMMEDIATELY CALL YOUR GAS SUPPLIER FROM A NEIGHBOUR'S PHONE. FOLLOW THE GAS SUPPLIER'S INSTRUCTIONS. • IF YOU CANNOT REACH YOUR GAS SUPPLIER, CALL THE FIRE DEPARTMENT. <p>C. DO NOT TRY TO REPAIR ANY PART OF THIS ASSEMBLY. CALL A QUALIFIED SERVICE TECHNICIAN. FORCE OR ATTEMPTED REPAIR MAY RESULT IN A FIRE OR EXPLOSION. D. DO NOT USE THIS APPLIANCE IF ANY PART HAS BEEN UNDER WATER. IMMEDIATELY CALL A QUALIFIED SERVICE TECHNICIAN TO INSPECT THE APPLIANCE AND REPLACE ANY PART OF THE CONTROL SYSTEM AND ANY GAS CONTROL WHICH HAS BEEN UNDER WATER.</p>	<p>ATTENTION: NE PAS ALLUMER SI DES ENFANTS OU D'AUTRES INDIVIDUS À RISQUE SONT À PROXIMITÉ DU FOYER. QUICONQUE NE RESPECTE PAS À LA LETTRE LES INSTRUCTIONS DANS LA PRÉSENTE NOTICE, RISQUE DE DÉCLENCHER UN INCENDIE OU UN EXPLOSION ENTRAÎNANT DES DOMMAGES, DES BLESSURES OU LA MORT. L'ALLUMAGE INITIAL DE LA VEILLEUSE ET DU BRÛLEUR PRINCIPAL DOIT SE FAIRE AVEC LA PORTE VITRÉE ENLEVÉE. NE RACCORDEZ PAS LA SOUPAPE OU L'INTERRUPTEUR MURAL À L'ÉLECTRICITÉ. CONSULTEZ LES INSTRUCTIONS D'INSTALLATION.</p> <p>A. CET APPAREIL EST MUNI D'UN DISPOSITIF D'ALLUMAGE QUI ALLUME AUTOMATIQUÉMENT LA VEILLEUSE. NE TENTEZ PAS D'ALLUMER LA VEILLEUSE MANUELLEMENT. B. AVANT DE FAIRE FONCTIONNER, RENIFLEZ TOUT AUTOUR DE L'APPAREIL POUR DÉCELER UN ODEUR DE GAZ. RENIFLEZ PRÈS DU PLANCHER, CAR CERTAINS GAZ SONT PLUS LOURDS QUE L'AIR ET PEUVENT S'ACCUMULER AU NIVEAU DU SOL.</p> <p>QUE FAIRE SI VOUS DÉTECTEZ UNE ODEUR DE GAZ:</p> <ul style="list-style-type: none"> • COUPEZ L'ALIMENTATION DE GAZ PRINCIPALE. • OUVREZ LES FENÊTRES. • NE PAS TENTER D'ALLUMER D'APPAREIL. • NE TOUCHEZ À AUCUN INTERRUPTEUR; NE PAS VOUS SERVIR DES TÉLÉPHONES SE TROUVANT DANS LE BÂTIMENT. • APPELÉZ IMMÉDIATEMENT VOTRE FOURNISSEUR DE GAZ DEPUIS UN VOISIN. SUIVEZ LES INSTRUCTIONS DU FOURNISSEUR. • SI VOUS NE POUVEZ REJOINDRE LE FOURNISSEUR APPELÉZ LE SERVICE DES INCENDIES. <p>C. N'ESSAYEZ PAS DE RÉPARER AUCUNE PIÈCE DE CET ASSEMBLAGE. APPELÉZ UN TECHNICIEN QUALIFIÉ. FORCER OU TENTER DE RÉPARER L'ASSEMBLAGE POURRAIT CAUSER UN FEU OU UNE EXPLOSION. D. N'UTILISEZ PAS CET APPAREIL S'IL A ÉTÉ PLONGÉ DANS L'EAU, MÊME PARTIELLEMENT. FAITES INSPECTER L'APPAREIL PAR UN TECHNICIEN QUALIFIÉ ET REMPLACEZ TOUTE PARTIE DU SYSTÈME DE CONTRÔLE ET TOUTE COMMANDE QUI ONT ÉTÉ PLONGÉS DANS L'EAU.</p>
--	---

W385-0460 / E

10.2 instruction d'allumage

LIGHTING INSTRUCTIONS / INSTRUCTIONS D'ALLUMAGE

<ol style="list-style-type: none"> 1. STOP! READ ALL INFORMATION OF OPERATING AND LIGHTING INSTRUCTIONS BEFORE PROCEEDING. 2. TURN OFF ELECTRICAL POWER TO THE APPLIANCE. 3. THIS APPLIANCE IS EQUIPPED WITH AN IGNITION DEVICE WHICH AUTOMATICALLY LIGHTS THE PILOT. DO NOT TRY TO LIGHT THE PILOT BY HAND. 4. OPEN THE GLASS DOOR. 5. TURN MANUAL SHUTOFF VALVE CLOCKWISE TO OFF. 6. WAIT FIVE (5) MINUTES TO CLEAR OUT ANY GAS. IF YOU SMELL GAS, INCLUDING NEAR THE FLOOR, STOP! FOLLOW 'B' OF THE OPERATING INSTRUCTIONS. IF YOU DON'T SMELL GAS, GO TO THE NEXT STEP. 7. TURN MANUAL SHUTOFF VALVE COUNTER-CLOCKWISE TO ON. 8. CLOSE THE GLASS DOOR. 9. TURN ON ALL ELECTRICAL POWER TO THE APPLIANCE. 10. TURN ON MAIN BURNER. 	<ol style="list-style-type: none"> 1. ARRÊTEZ! LISEZ TOUTES LES INSTRUCTIONS DE FONCTIONNEMENT ET D'ALLUMAGE AVANT DE CONTINUER. 2. COUPEZ L'ALIMENTATION ÉLECTRIQUE À L'APPAREIL. 3. CET APPAREIL EST MUNI D'UN DISPOSITIF D'ALLUMAGE QUI ALLUME LA VEILLEUSE AUTOMATIQUÉMENT. N'ESSAYEZ PAS D'ALLUMER LA VEILLEUSE MANUELLEMENT. 4. OUVREZ LA PORTE VITRÉE. 5. TOURNEZ LA SOUPAPE DE SECTIONNEMENT MANUELLE VERS LA DROITE À « OFF ». 6. ATTENDEZ CINQ (5) MINUTES POUR QUE LE GAZ PUISSE S'ÉCHAPPER. SI VOUS DÉTECTEZ UNE ODEUR DE GAZ, ARRÊTEZ! SUIVEZ « B » DANS LES INSTRUCTIONS DE FONCTIONNEMENT. S'IL N'Y A PAS D'ODEUR DE GAZ, PASSEZ À L'ÉTAPE SUIVANTE. 7. TOURNEZ LA SOUPAPE DE SECTIONNEMENT MANUELLE VERS LA GAUCHE À « ON ». 8. FERMEZ LA PORTE VITRÉE. 9. RÉTABLISSEZ L'ALIMENTATION ÉLECTRIQUE AU FOYER. 10. ALLUMEZ LE BRÛLEUR PRINCIPAL.
---	--



ELECTRODE
FLAME SENSOR

TO TURN OFF GAS / INSTRUCTIONS POUR COUPER LE GAZ

<ol style="list-style-type: none"> 1. TURN OFF ALL ELECTRICAL POWER TO THE APPLIANCE IF SERVICE IS TO BE PERFORMED. 2. TURN MANUAL SHUTOFF VALVE CLOCKWISE TO OFF. DO NOT FORCE. 	<ol style="list-style-type: none"> 1. COUPEZ L'ALIMENTATION ÉLECTRIQUE AU FOYER SI UN TRAVAIL D'ENTRETIEN DOIT SE FAIRE. 2. TOURNEZ LA SOUPAPE D'ARRÊT MANUELLE VERS LA DROITE À « OFF ». NE FORCEZ PAS.
---	---

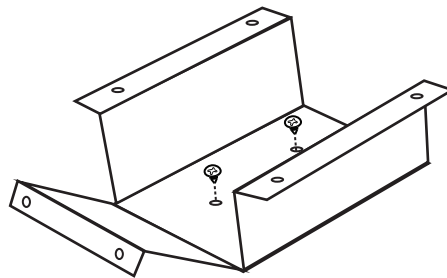
W385-0460 / E

! AVERTISSEMENT

- Risque d'incendie!
- N'obstruez jamais l'ouverture sur le devant de l'appareil.
- La façade de l'appareil doit être faite de matériaux incombustibles comme de la brique, du marbre, du granite, etc., à condition que ces matériaux ne se trouvent pas en deçà de la dimension spécifiée tel qu'illustré. Comme alternative, vous pouvez utiliser le panneau de gypse comme finition pour votre appareil, voir les illustrations à suivre.
- Ne frappez pas, ne claquez pas et n'égratignez pas la porte vitrée. Ne faites pas fonctionner l'appareil lorsque la porte vitrée est enlevée, fissurée, brisée ou égratignée.
- Les matériaux de façade ou de finition ne doivent jamais empiéter sur l'ouverture de l'appareil.
- L'assemblage de la porte est conçu pour pivoter vers l'avant de l'évacuation d'un surplus de pression qui pourrait survenir. Les matériaux de finition ou tout autre matériau ne doivent pas empiéter sur l'ouverture entourant la porte puisqu'il nuiront au fonctionnement de la porte lors de l'évacuation d'un surplus de pression.
- Si applicable, la poussière de gypse pénétrera dans les roulements à billes de la soufflerie causant des dommages irréparables. Vous devez éviter que cette poussière n'entre en contact avec la soufflerie ou son compartiment. Tout dommage causé par ce problème ne sera pas couvert par la garantie.

11.1 enlèvement du support de transport

- A. Enlevez les porte(s), voir la section « installation / enlèvement de la porte ».
- B. Coupez les bande qui retiennent le verre et dé à coudre évent en placez.
- C. Enlevez les 2 vis qui retiennent le support de transport/ l'écran protecteur en placez, comme illustré.



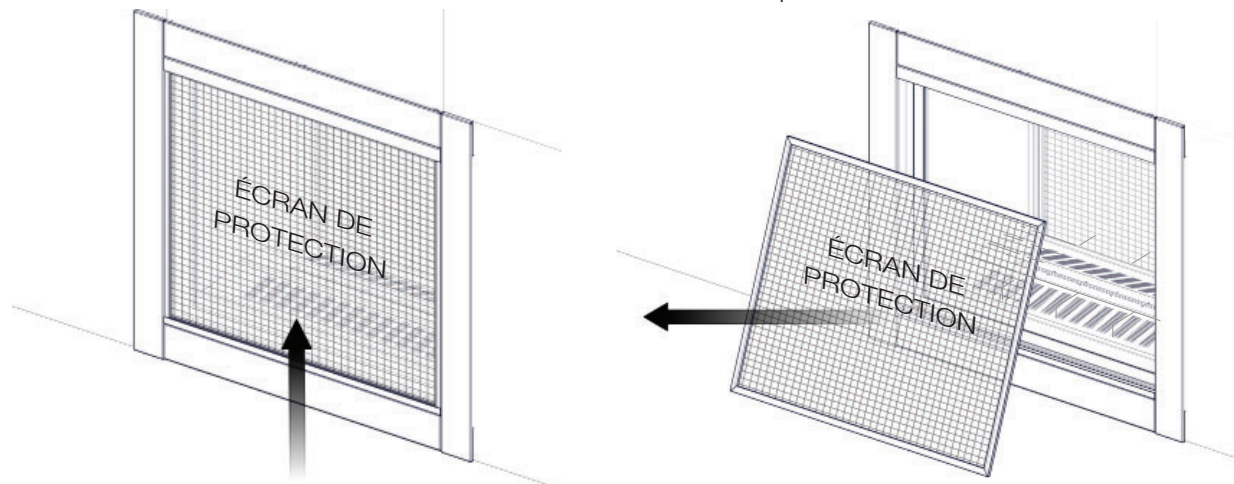
note:

Les 2 vis retirées du support / l'écran de protection **DOIT** être remplacé.

11.2 retrait de l'écran de protection principal et l'installation

Une barrière conçue à réduire le risque de brûlures à partir de la chaude la vitre est à condition que avec l'appareil et sera être installés.

Avant d'enlever la porte vitrée, l'écran de protection doit être enlevé. Soulevez l'écran et tirez-le hors de la pièce de retenue inférieure. Tirez l'écran vers le bas et hors du retenue supérieure.



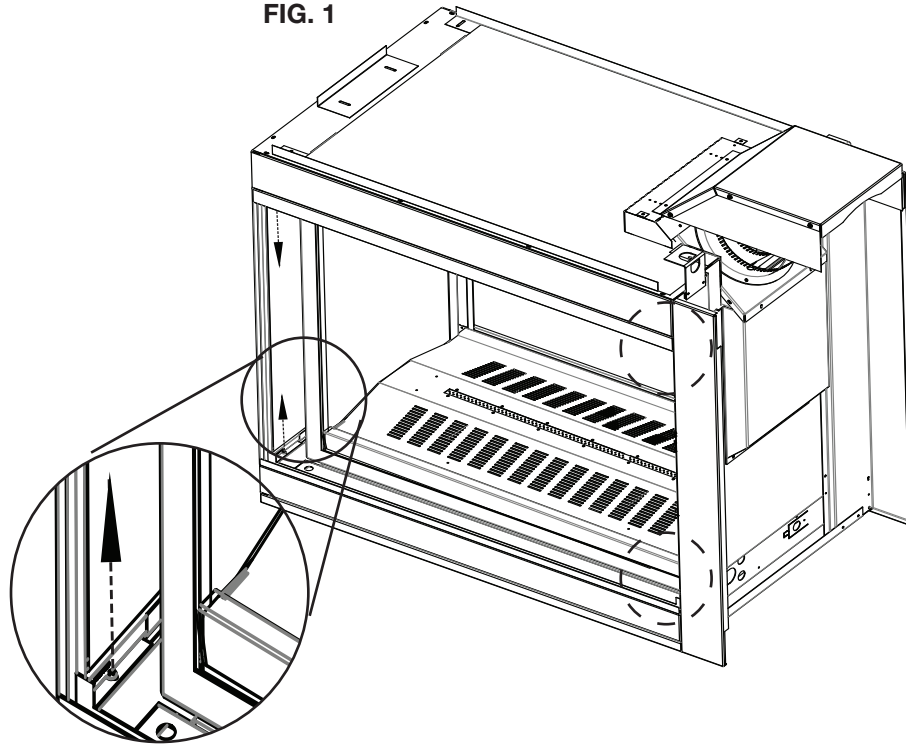
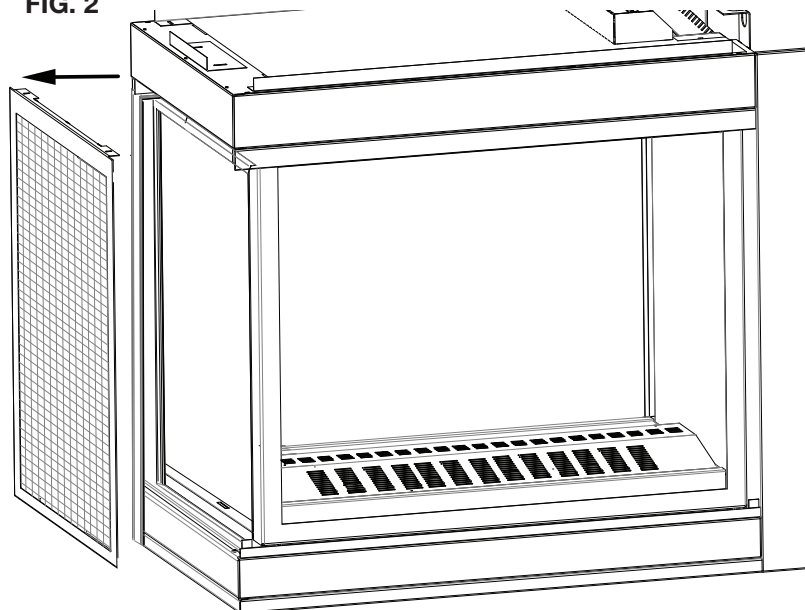
Inversez ces étapes pour réinstaller l'écran de protection. Assurez l'écran de protection est correctement installé.

11.3 retrait de l'écran de protection fin et l'installation (seulement BHD4P)

note:

Un de les écran principaux doit être enlevée avant de mettre fin à l'enlèvement de l'écran. Voir la section « retrait de l'écran de protection principal et l'installation ».

- A. Enlevez le 4 vis située sur le supérieure et inférieure de la retenue de l'écran de fin, **(Fig. 1)**.
- B. Tirez l'ecran vers l'avant et l'extérieur de l'appareil, **(Fig. 2)**.

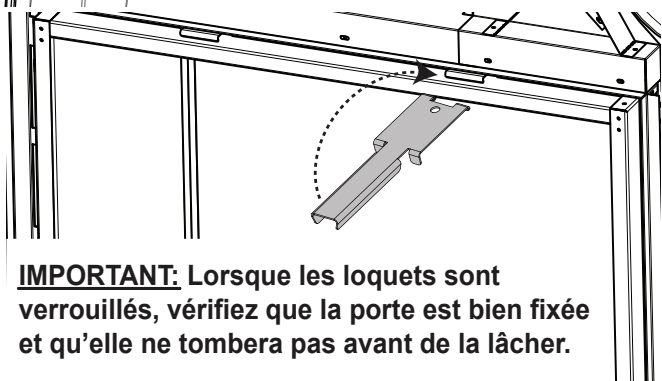
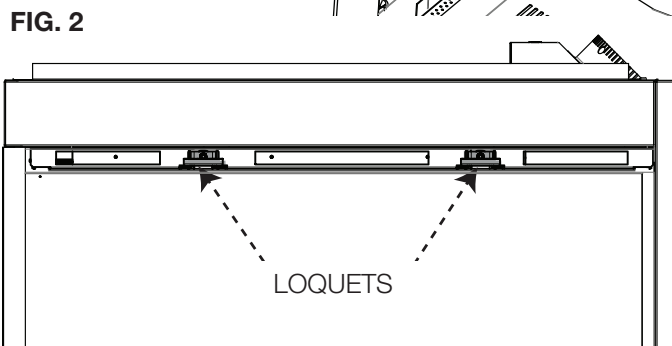
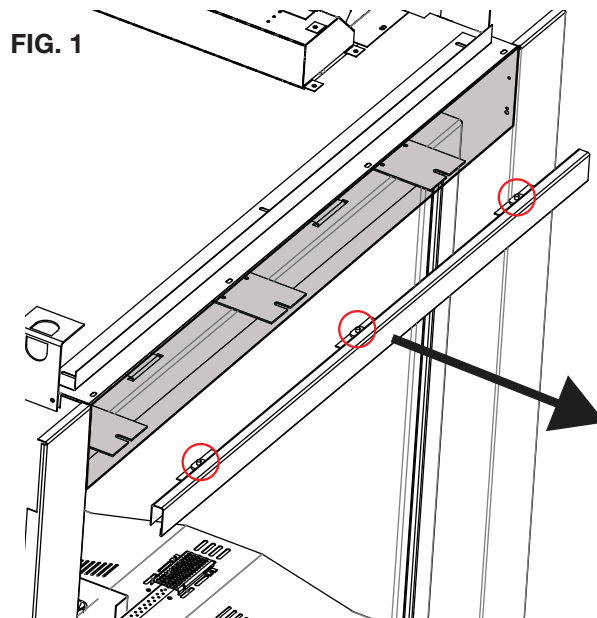
FIG. 1**FIG. 2**

11.4 installation / enlèvement de la porte principale

⚠ AVERTISSEMENT

- La vitre peut être chaude. Ne touchez pas la vitre jusqu'à ce qu'elle ait refroidi.
- Si équipé avec les loquets de porte qui font partie d'un dispositif de sécurité, ils doivent être adéquatement verrouillés. Ne faites pas fonctionner l'appareil lorsque les loquets sont déverrouillés.
- Les matériaux de façade et de finition ne doivent pas nuire à la circulation de l'air dans les ouvertures d'air et les persiennes, ni au fonctionnement des persiennes ou des portes ni l'accès pour l'entretien. Respectez tous les dégagements aux matériaux combustibles
- Avant d'enlever la porte, éteignez l'appareil et attendez que ce dernier soit froid au toucher. Les portes sont lourdes et fragiles; manipulez avec soin.

- Enlevez l'écran de protection, voir la section « retrait de l'écran de protection principal et l'installation ».
- Desserrez mais ne pas retirez les trois vis de fixation de la retenue supérieur et retirez retenue loin de l'appareil, (Fig 1).
- Il y a 2 loquets au sommet de chaque porte. À l'aide de l'outil fourni, tirez le loquet en avant et vers le haut, puis hors de l'entaille dans la porte, comme illustré (Fig. 2). **Garantir de garder une main sur la porte à tout instant, pour l'empêcher de tomber par terre.**
- Quand les loquets sont relâchés, tirez la porte en avant et lors de la support au fond de la porte.
- Renversez ce processus pour installer la porte.

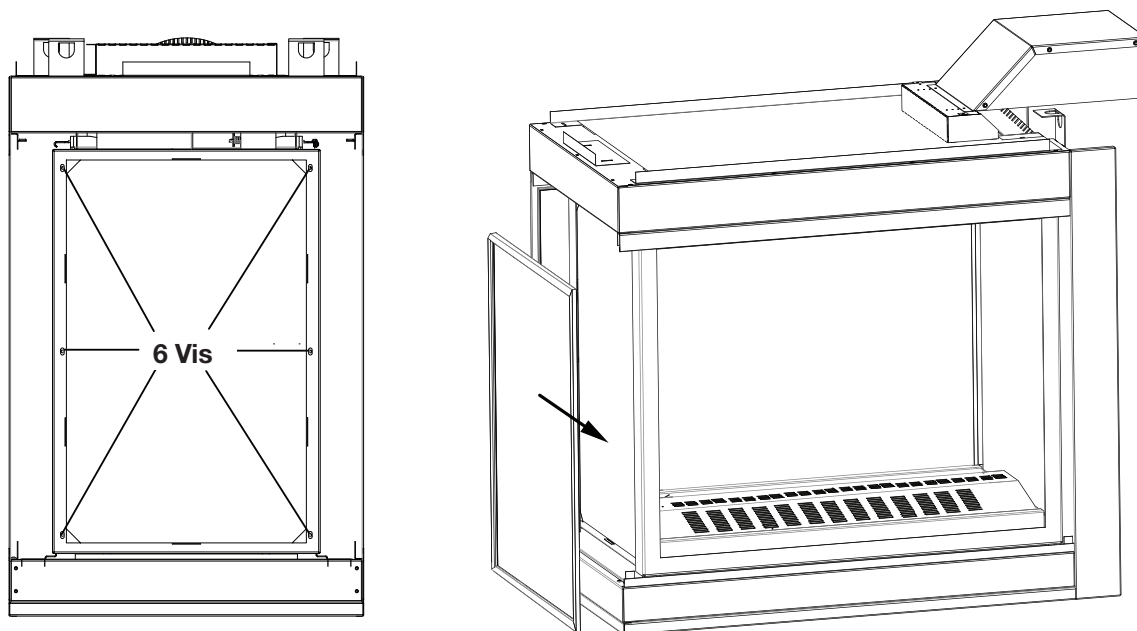


11.5 enlèvement de la porte d'extrémité / installation (seulement BHD4P)

note:

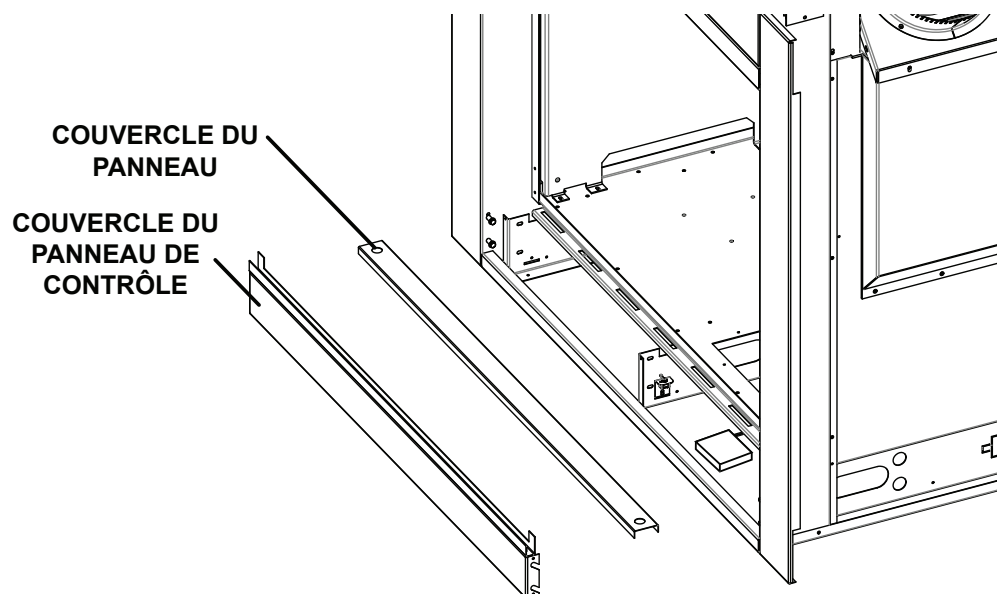
Un de les écrans et portes principaux doivent être enlevée avant de mettre fin à l'enlèvement de l'écran. Voir les sections « retrait de l'écran de protection principal et l'installation » et « installation / enlèvement de la porte principale » pour plus d'instructions.

- A. Enlevez les 6 vis qui retiennent la porte d'extrémité, comme illustré ci-dessous. **Pour empêcher la porte de tomber, retenez-la en tout temps avec votre main, depuis l'intérieur de l'appareil.**
- B. Inclinez le haut de la porte vers le bas et retirez-la avec soin de l'appareil.
- C. Pour installer la porte d'extrémité, répétez ces étapes dans l'ordre inverse.



11.6 enlèvement de panneau de contrôle

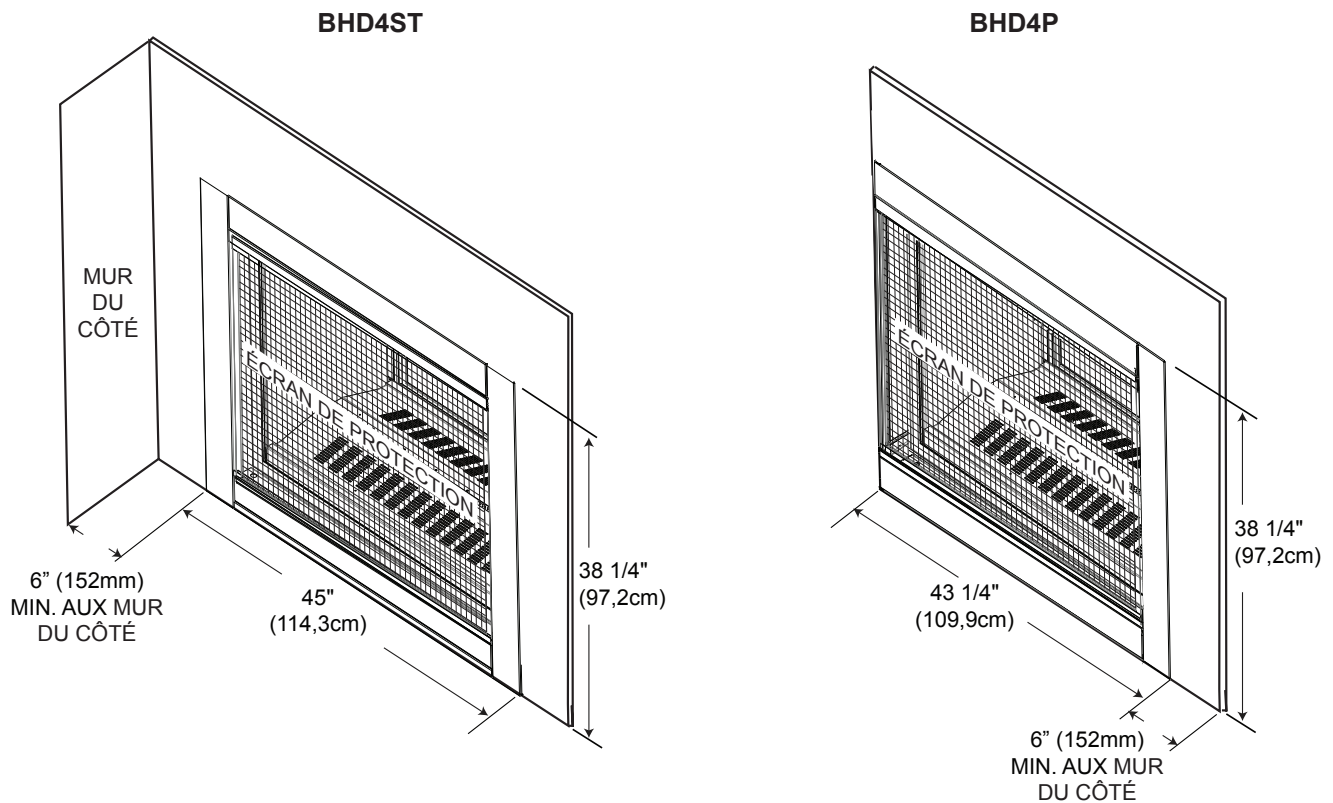
- A. Enlevez l'écran de protection, voir la section « retrait de l'écran de principal ».
- B. Soulevez la deuxième panneau utilisant les trous et tirez l'avant éloignant du l'appareil, comme illustré.
- C. Soulevez l'inférieur panneau hors de l'appareil, comme illustré.



11.7 installation de matériaux combustible

! AVERTISSEMENT

- La surface au-dessus de l'appareil devient très chaude. Si des matériaux de finition inadéquats sont utilisés, des craquelures peuvent apparaître.
- Garantir que les dégagements sont maintenus pour l'enlèvement du moule, vous devez l'Enlever de l'appareil pour l'entretien..



Composé à joints au besoin

Des composés à joints tels Durabond 90 et des rubans à joints résistants à la chaleur et aux craquelures devraient être utilisés lorsque vous posez du ruban à joints et que vous comblez des joints.

Installation des carreaux et du coulis

Nous recommandons d'utiliser des carreaux à joints secs et de les installer à l'aide d'un mortier à deux composants avec un additif au latex acrylique tel que Mapei Kerabond/Kerlastic, pour permettre un léger mouvement lors du fonctionnement normal de l'appareil.

Si du coulis est utilisé entre les carreaux, un coulis à base de polymère tel que Mapei Ultracolor plus est recommandé.

Apprêt/Peinture

Pour une surface peinte, utilisez un apprêt au latex 100% acrylique et une couche de finition. Les peintures des couleurs du voyant peuvent décolorer.

finitions

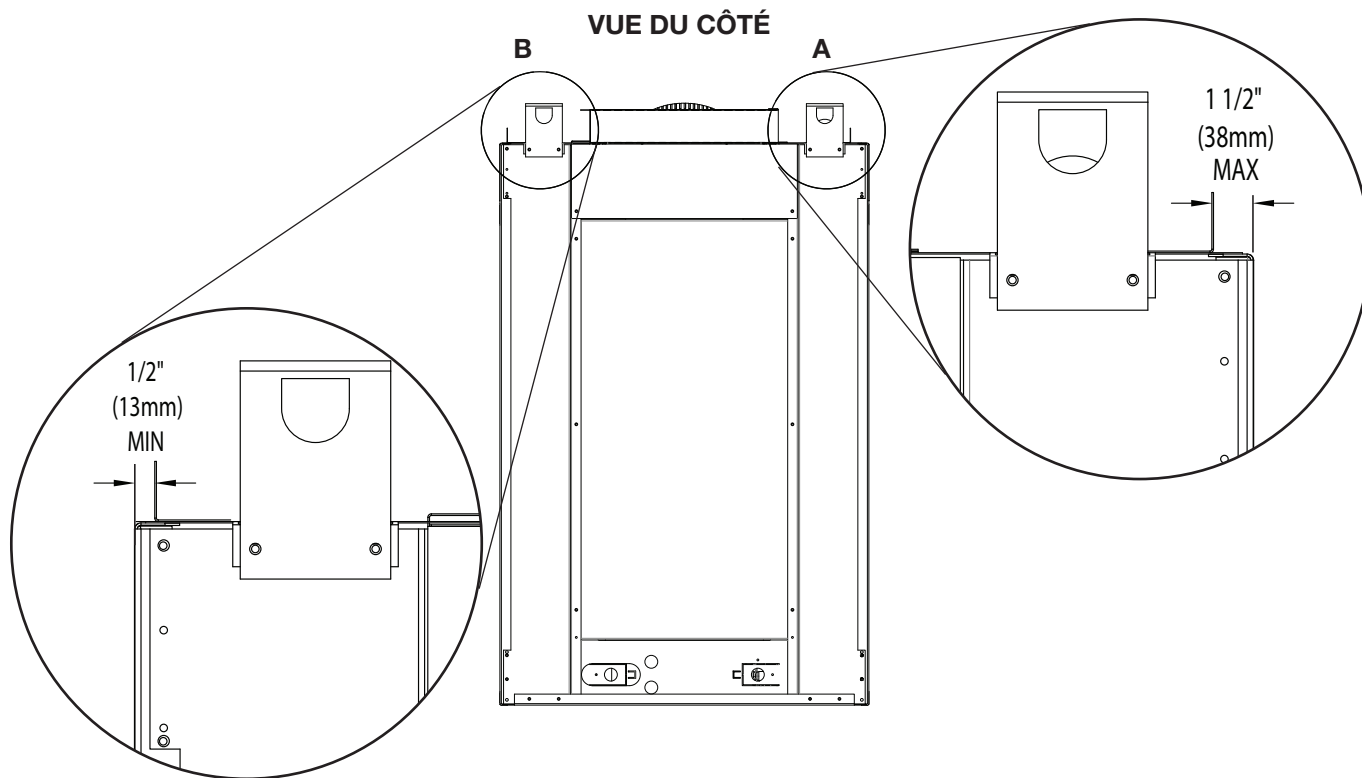
FR

11.7.1 l'ajustement de la support de finitions

Dépendant sur l'épaisseur du matériaux de finition nous avons permis une ajustement de 0 pouces (0mm) à 1 pouces (25mm) après le panneau de combustible de 1/2 pouces (13mm) a été installé. Desserrez les 8 vis sur chaque support de finitions. Ajustez le support de finition à la position finale.

note:

Modèles Péninsule sont équipés avec une support de fin qui peut être ajusté en desserrant les deux vis.



note:

Dimension « A » et « B » de l'ossature sera affecté quand les supports de finitions sont ajuster vers l'extérieur (voir la section « ossature »).

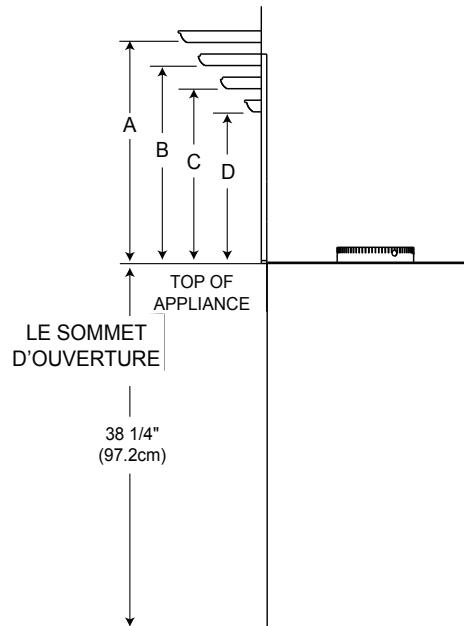
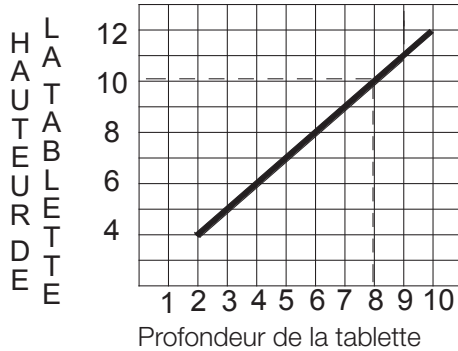
11.8 dégagements minimaux de la tablette

! AVERTISSEMENT

- Risque d'incendie. Conservez tous les dégagements aux matériaux combustibles spécifiés. Incapacité de se conformer à ces instructions peut causer un incendie ou une surchauffe. Assurez-vous que tous les dégagements (arrière, côtés, dessus, évents, tablette, façade, etc.) sont respectés à la lettre.
- Lorsque vous utilisez de la peinture ou du vernis comme finition pour votre tablette assurez-vous qu'ils soient résistants à la chaleur afin de prévenir la décoloration.

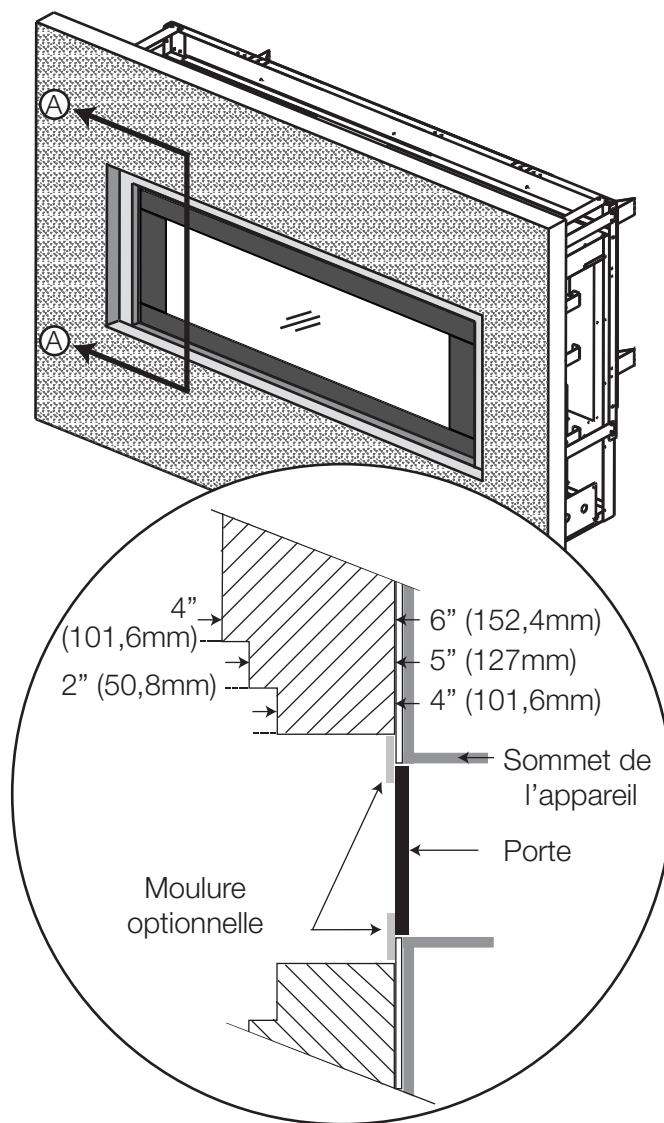
Le dégagement d'une tablette combustible peut varier selon la profondeur de la tablette. Utilisez le graphique pour vous aider à déterminer le dégagement nécessaire.

DIMENSIONS DE LA TABLETTE		
Ref	Hauteur	Plafondeur
D	4" (102mm)	2" (51mm)
C	6" (152mm)	4" (102mm)
B	8" (203mm)	6" (152mm)
A	10" (254mm)	8" (203mm)



! AVERTISSEMENT

Les matériaux de finition incombustibles ne doivent pas dépasser de plus 4" (101,6mm) la façade de la porte (sur toutes côtés). Si des projections plus grandes sont requises, augmentez les dégagements des côtés et du dessus de 2" (50,8mm) pour chaque pouce (24,5mm) supplémentaire de projection. Si vous utilisez un moulure optionnelle, les même règles s'applique, commençant du sommet du moulure. Garantir que les dégagements sont maintenus pour l'enlèvement du moulure, vous devez l'enlever de l'appareil pour l'entretien.



11.10 installation des bases de protection

note:

Chacune des base de protection est facilement identifiable par sa numéro moulé en dessous.

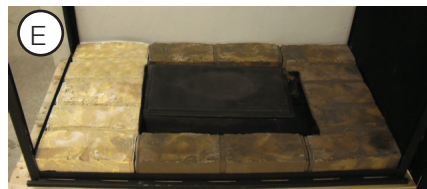
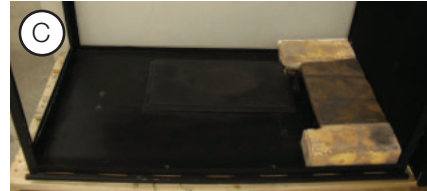
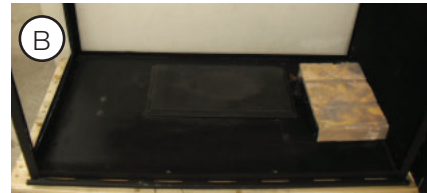
note:

Le pilote est située à la côté droite dans ces instructions.

- A.** Enlevez l'écran de protection et la porte principal de l'appareil, voir la section « retrait de l'écran de protection principal et l'installation » et « installation /enlèvement de la porte principal » pour les instructions d'enlèvement.

INDICE : Pour faciliter l'installation, enlevez les deux portes.

- B.** Placez la base de protection #3 à la côté du pilote comme illustrée en Figure B.
- C.** Placez la base de protection #1A à la côté droite et la base de protection #1 à la côté gauche de l'appareil, comme illustrée en Figure C.
- D.** Placez les deux bases de protection #2 aux côtés droite et gauche, comme illustrée en Figure D.
- E.** Placez la base de protection #4 à l'extrémité gauche, comme illustrée en Figure E.



! AVERTISSEMENT

- Omettre de positionner les bûches conformément aux schémas ou omettre d'utiliser uniquement des bûches spécifiquement approuvées pour cet appareil peut causer des dommages matériels ou des blessures corporelles.
- Les bûches doivent être placées correctement à l'intérieur de l'appareil. Ne changez pas la position des bûches car l'appareil risque de ne pas fonctionner adéquatement et un retard d'allumage risque de se produire.
- Les bûches sont fragiles et devraient être manipulées avec soin.

note:

Chacune des base de protection est facilement identifiable par sa numéro moulé en dessous.

Les bûches PHAZER™, exclusives à Wolf Steel, Ltée., créent un effet incandescent réaliste et unique qui est différent dans chaque installation. Lors de l'utilisation initiale de l'appareil, les couleurs deviendront plus uniformes à mesure que leurs pigments seront absorbés pendant le procédé de cuisson.

Orifices du brûleur bloqué peuvent causer un modèle de la flamme incorrect.

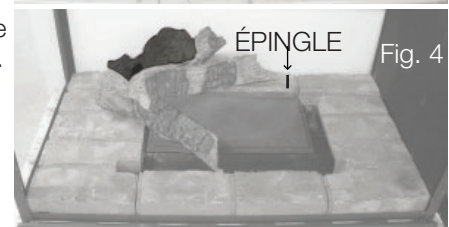
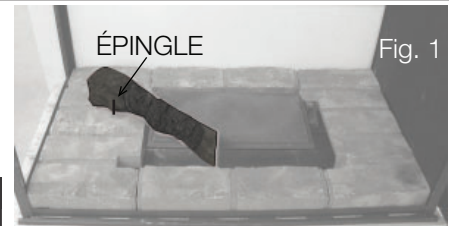
note:

Le pilote est située à la côté droite dans ces instructions.

1. Enlevez l'écran de protection et la porte principal de l'appareil, voir la section « retrait de l'écran de protection principal et l'installation » et « installation / enlèvement de la porte principale » pour les instructions d'enlèvement.
2. Placez bûche #1 sur l'épingle au coin du bruleur et l'épingle aux base de protection à la côté gauche. Placez une épingle au centre de la bûche #1 (**Fig.1**).
3. Placez bûche #2 sur l'épingle en bûche #1, il devrait se reposer sur le milieu de la base de protection à la côté droite, comme illustrée en Figure 2. Placez une épingle au centre de la bûche #2 (**Fig.2**).
4. Placez bûche #3 sur l'épingle en bûche #2, il devrait se reposer sur la base de protection à la côté droite (**Fig.3**). Placez une épingle dans bûche #2 (**Fig.2**).
5. Placez bûche #4 sur l'épingle en bûche #2, il devrait se reposer sur la base de protection à la côté droite (**Fig.4**) et au vue du côté gauche ci-dessous.
6. Placez bûche #5 sur l'épingle de la base de protection, à la côté droite, il devrait se reposer sur la bruleur (**Fig.5**).

note:

Garantir que bûche #5 ne couvre pas les orifices du brûleur



- Placez bûche #6 sur l'épingle à la coin gauche du bruleur, puis Placez une épingle au centre de la bûche (Fig.6).

note:

Garantir que bûche #6 ne couvre pas les orifices du brûleur

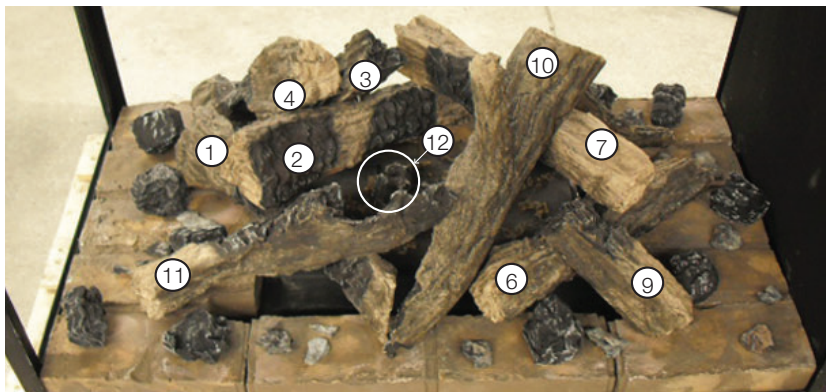
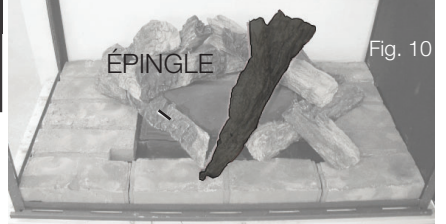
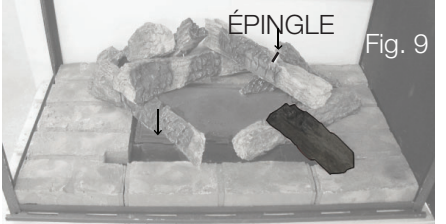
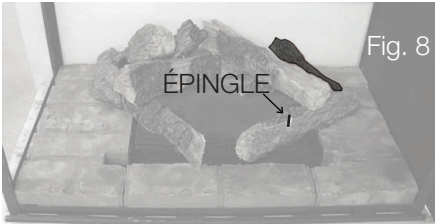
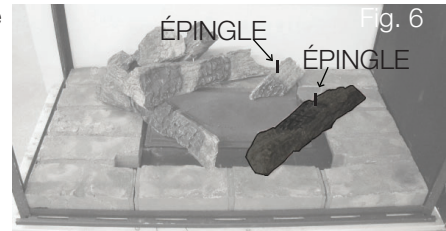
- Placez bûche #7 sur les épingles en bûche #5 et bûche #6 (Fig.7).
- Placez bûche #8 sur la base de protection, il devrait se reposer sur la retrait du bûche #6 (Fig.8).

INDICE: La meilleure vue du bûche #8 est montrée dans la vue gauche ci-dessous.

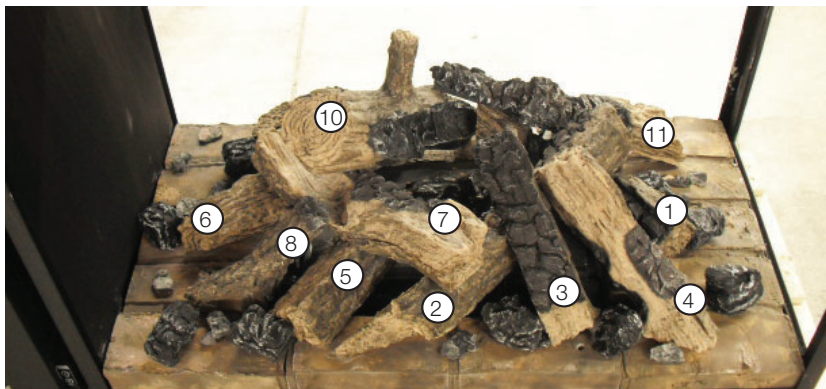
- Placez bûche #9 sur l'épingle en bûche #7, il devrait se reposer sur la base de protection à la côté droite. Placez une épingle dans la bûche #6 (Fig.9).
- Placez bûche #10 sur l'épingle en bûche #7, il devrait se reposer sur la centre de la base de protection à la côté gauche (Fig.10). Placez une épingle dans la bûche #1 (Fig.10).
- Placez bûche #11 sur l'épingle en bûche #1, il devrait se reposer sur la base de protection à la côté gauche (Fig.11).
- Placez la morceau de charbon #12 sur les deux épingles au centre du bruleur (Fig.12).
- Installez les braises incandescentes, voir la section « braises incandescentes ».
- Éparpillez les braises de charbon autour du support des bûches, voir la section « braises de charbon ». (Référez l'illustration ci-dessous).
- Éparpillez les morceaux de braises de charbon sur les braises de charbon, voir la section « morceaux de braises de charbon ». (Référez l'illustration ci-dessous).

note:

Ne couvre pas les orifices du brûleur ou le pilote avec les morceaux ou les braises de charbon. Ne remplir pas trop.



VUE DU CÔTÉ DROITE



VUE DU CÔTÉ GAUCHE

11.11.1 braises incandescentes

AVERTISSEMENT

- Obstruez pas ni fermer les orifices du brûleur. Le blocage des orifices du brûleur peut créer une flamme irrégulière, des dépôts de carbone et un retard d'allumage.

Déchirez les braises incandescentes en morceaux et placez une couche lâche sur le grillage du brûleur. Les braises devraient être déchirées très soigneusement en petits morceaux minces irréguliers, car seuls les côtés des fibres exposées à la flamme directe deviendront incandescentes. **Les braises n'allumer lorsque exposés à flamme directe; cependant, il faut veiller à ne pas bloquer ou fermez les orifices du brûleur.**

Le blocage des orifices du brûleur peut créer une flamme irrégulière, des dépôts de carbone et un retard d'allumage. Les bûches **PHAZER^{MD}** exposées à la flamme directe deviendront incandescentes. Utilisez seulement les « braises incandescentes » et bûches **PHAZER^{MD}** disponible de votre détaillant autorisé locale.

11.11.2 braises de charbon

AVERTISSEMENT

- Obstruez pas ni fermer les orifices du brûleur. Le blocage des orifices du brûleur peut créer une flamme irrégulière, des dépôts de carbone et un retard d'allumage.
- Si équipée; les braises de charbon de bois, les morceaux de charbon et la vermiculite ne doivent pas être placés sur le brûleur.

Éparpillez les braises à l'avant et sur les côtés du support à bûches de façon à créer un effet réaliste. N'utilisez pas la fine poussière qui reste au fond du sac.

note:

Les braises de charbon de bois ne doivent pas être placée sur le brûleur.

11.11.3 morceaux de braises de charbon

AVERTISSEMENT

- Obstruez pas ni fermer les orifices du brûleur. Le blocage des orifices du brûleur peut créer une flamme irrégulière, des dépôts de carbone et un retard d'allumage.
- Si équipée, les braises de charbon de bois, les morceaux de charbon et la vermiculite ne doivent pas être placés sur le brûleur.

Placez les morceaux de charbon devant les bûches de façon réaliste. Prenez garde de ne pas bloquer ou fermez les orifices du brûleur.

11.12 installation des braises vitrifiées

! AVERTISSEMENT

- Nettoyez les braises vitrifiées avant d'installation. Assurez-vous qu'elles sont sèches avant de les disposer dans le plateau.
- Ne changez pas ou ni substituez pas les braises vitrifiées fournies avec cet appareil. En cas de remplacement, n'utilisez que les braises vitrifiées de rechange disponibles chez votre détaillant autorisé.
- Ne déposez qu'une seule couche de braises vitrifiées sur le brûleur. Plus d'une couche de braises sur le brûleur aura pour effet de faire monter la flamme et créer de la suie.
- Ne placez aucune braises vitrifiées, ni vermiculite sur ou autour de l'ouverture de la veilleuse ni sur les orifices du brûleur. Ceci interférerait avec l'opération de la pilote

Éparpillez soigneusement les braises vitrifiées sur le plateau de manière uniforme. Assurez-vous qu'aucun morceau de verre ne tombe dans le zone de la veilleuse Si cela se produit, installez un nouveau sac dans votre aspirateur et aspirez les braises vitrifiées. Des braises vitrifiées de rechange peuvent être commandées auprès de votre détaillant autorisé.

note:

N'utilisez pas plus de composants décoratives de ce qui est fourni avec l'appareil.

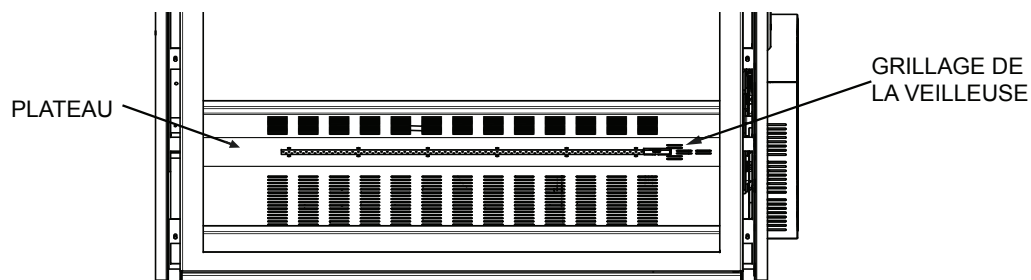
Nettoyage des braises vitrifiées

Il est possible qu'un film huileux recouvre les braises. Avant de les disposer dans le plateau, nettoyez les braises avec un savon à vaisselle doux, égouttez-les, rincez-les à fond et laissez-les sécher.

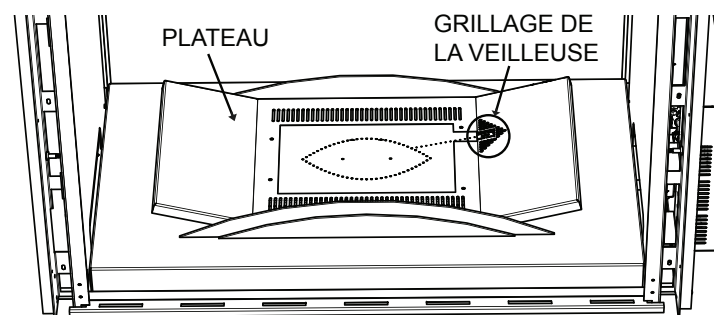
note:

Les braises vitrifiées peuvent couvrir le plateau et le canal du brûleur. Utiliser la soin autour de la grillage du pilote.

(BHD4STG et BHD4PG seulement)

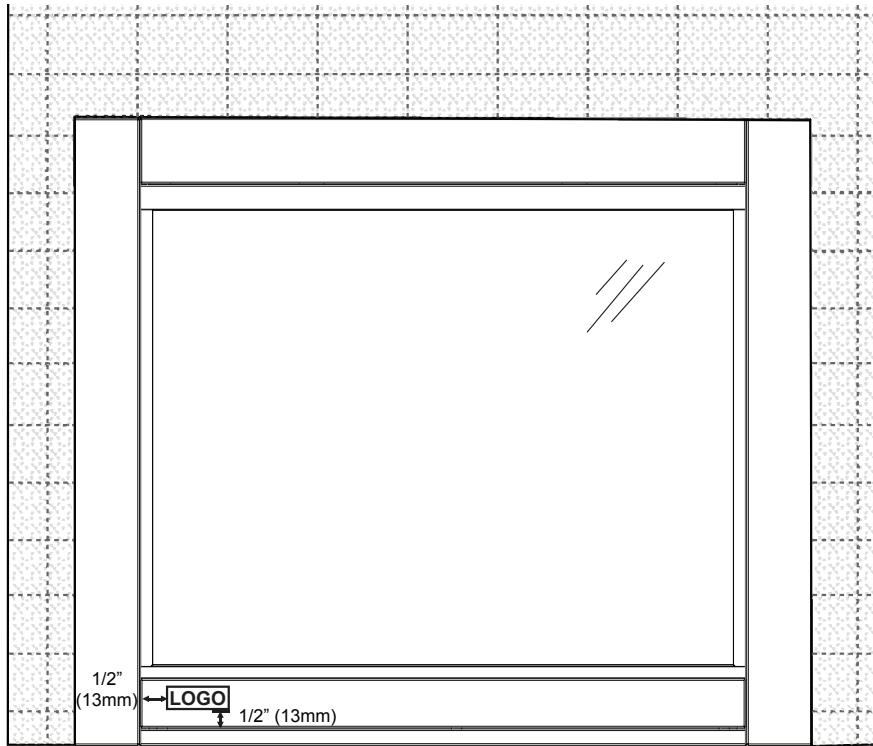


(BHD4STFC et BHD4FC seulement)



finitions

FR 11.13 mise en place du logo



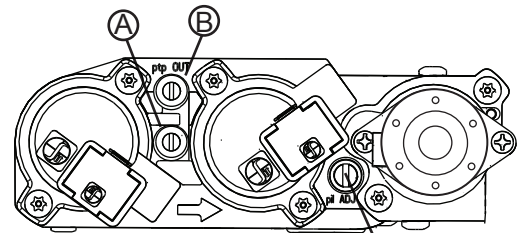
12.1 réglage de la veilleuse

Ajustez la vis de la veilleuse pour obtenir une flamme de taille normale. Tournez vers la droite pour réduire l'apport de gaz.

Vérifiez la pression:

Pour vérifier la pression d'arrivée, tournez la vis (A) vers la gauche deux à trois tours puis emboîtez le tube du manomètre sur la pointe d'essai. Le manomètre doit indiquer la pression comme décrit sur le diagramme ci-dessous. Vérifier la pression avec brûleur principal sur « HI ».

La vérification de la pression de sortie s'effectue comme ci-dessus en utilisant la vis (B). Le manomètre doit indiquer la pression comme décrit sur le diagramme ci-dessous. Vérifier la pression avec le brûleur principale sur « HI ».



VIS DE LA VEILLEUSE

Après avoir pris la lecture des pressions, assurez-vous de tourner fermement les vis vers la droite pour sceller. Ne serrez pas trop fort.

Vérifiez pour des fuites en appliquant une solution d'eau savonneuse.

Avant d'effectuer le réglage de la veilleuse, assurez-vous que l'assemblage de la veilleuse n'a pas été peint. S'il y a des traces de peinture ou de surpulpvrisation, enlevez-les de l'assemblage de la veilleuse ou remplacez-le. Une toile d'émeri ou un tampon récurage (comme Scotch-Brite™) peut être utilisé pour enlever la peinture sur la hotte de la veilleuse, sur l'électrode et sur la capteur de flamme.

Pression	Gaz Naturel (pouces)	Gaz Naturel (millibars)	Propane (pouces)	Propane (millibars)
Arrivée	*7" (minimum 4,5")	17,4mb (minimum 11,2mb)	13" (minimum 11")	32,4mb (minimum 27,4mb)
Sortie	3,5"	8,7mb	10"	24,9mb

* Pression d'alimentation maximale ne devrait pas dépasser 13"

12.2 réglage du venturi

L'ouverture du volet d'air a été préréglée en usine selon le tableau ci-dessous:

Indépendamment de l'orientation du venturi, plus le volet est fermé, plus la flamme est jaune et aura tendance à causer des dépôts de carbone. Plus le volet est ouvert, plus la flamme est bleue et plus elle a tendance à se détacher des orifices du brûleur. La flamme peut ne pas être jaune immédiatement; allouez de 15 à 30 minutes pour que la couleur finale de la flamme se stabilise.

LE RÉGLAGE DU VOLET D'AIR DOIT ÊTRE EXÉCUTÉ PAR UN TECHICIEN OU INSTALLATEUR QUALIFIÉ.

note:

Il est important que l'injecteur soit correctement inséré dans le venturi.

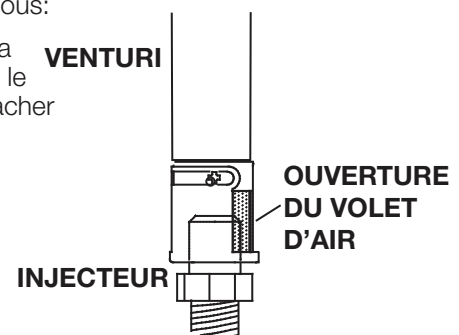


TABLEAU DE RÉGLAGE DU VENTURI

GN	1/16" (1,6mm)
P	5/16" (8mm)

réglages

FR 12.3 étranglements des événements verticaux

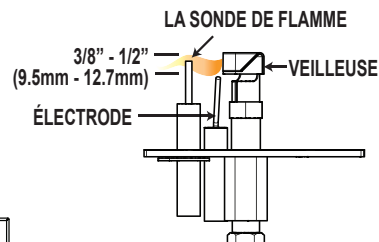
Certaines configurations d'évacuation verticales peuvent avoir une flamme très active. Si cette apparence n'est pas désirée, la sortie du conduit d'évacuation doit être réduite en utilisant une plaque de restriction. Pour obtenir l'ensemble approprié, voir la section « **pièces de rechanges** » dans le manuel du propriétaire. Ceci diminuera la vitesse des gaz de combustion, ralentissant ainsi le mouvement de la flamme et créant une apparence plus traditionnelle. Les instructions sont incluses avec l'ensemble.

note:

Si l'évacuation de cette appareil à été réduite à 4/7" seulement, utiliser une RP4 pour restreindre l'évacuation verticale.

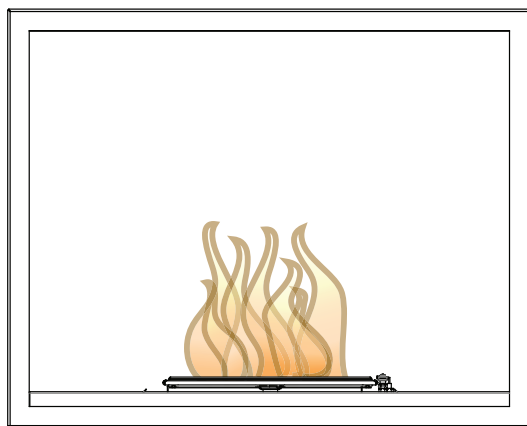
12.4 caractéristiques de la flamme

Il est important d'effectuer périodiquement une inspection visuelle de la flamme de la veilleuse et du brûleur. Comparez-les à ces illustrations. Si des flammes paraissent anormales, contactez un technicien de service.

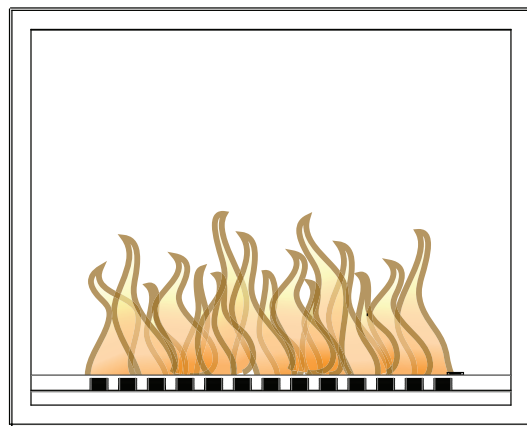


LA FLAMME DOIT ENVELOPPER LA PARTIE SUPÉRIEURE DE LA SONDE DE FLAMME DE 3/8" (9.5mm) À 1/2" (12.7mm)

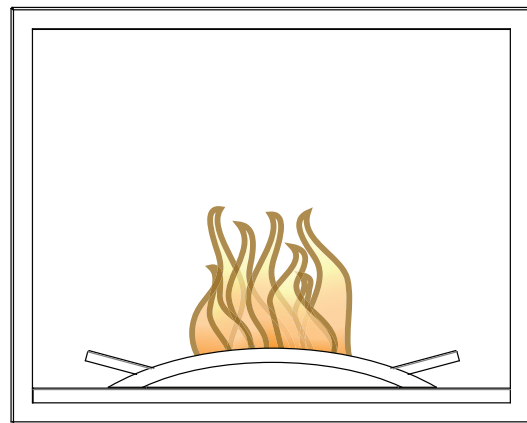
BRÛLEUR DE BÛCHES



BRÛLEUR DE VERRE



BRÛLEUR DU ROCHES / VERRE



AVERTISSEMENT

- Coupez l'alimentation en gaz et l'alimentation électrique avant de procéder à l'entretien de l'appareil.
- L'appareil peut être chaud. Attendez qu'il soit refroidi avant d'en faire l'entretien.
- N'utilisez pas de produits abrasifs.
- Ne peignez pas l'assemblage de la veilleuse.

Cet appareil et son système d'évacuation devraient être inspectés avant la première utilisation et au moins une fois l'an par un technicien de service qualifié. Les vérifications suggérées doivent être effectuées par un technicien qualifié. L'espace entourant l'appareil doit être gardé propre et libre de matériaux combustibles, d'essence ou d'autres liquides et vapeurs inflammables. Les apports d'air comburant et d'air de connection ne doivent pas être obstrués.

note:

Attention: Lors de l'entretien des contrôles, assurez-vous d'identifier chacun des fils avant de les débrancher. Une réinstallation incorrecte des fils peut occasionner un mauvais fonctionnement et être dangereuse.

1. Pour nettoyer le brûleur principal et la veilleuse adéquatement, il faut retirer les bûches, les roches ou la vitre afin de dégager les deux ensembles.
2. Gardez le compartiment des contrôles, les composants décoratifs, le brûleur, le volet d'air et l'espace entourant les bûches propres en brossant ou en passant l'aspirateur au moins une fois l'an.
3. Assurez-vous que tous les orifices des brûleurs produisent des flammes. Nettoyez tous les orifices qui n'ont pas de flamme ou dont la flamme ne brûle pas adéquatement.
4. Assurez-vous que la flamme de la veilleuse est assez puissante pour envelopper la sonde de flamme et/ou le thermocouple/thermopile et qu'elle atteigne le brûleur.
5. Si votre appareil est fourni avec une écran de protection, le nettoyage peut être nécessaire en raison d'un excès de poussière / peluches des tapis, animaux, etc. utilisez un l'attachement du brosse sur aspirateur pour nettoyer l'écran.
6. Si votre appareil est fourni avec les détendeur de portes assurez-vous que le système fonctionne efficacement. Assurez que le joint d'étanchéité n'est pas usé ou endommagé. Remplacer si nécessaire.
7. Remettez en place les bûches, les roches ou la vitre nettoyées, si équipé. Omettre de positionner les composants décoratifs adéquatement peut causer des dépôts de carbone qui peuvent se déposer à l'intérieure de la chambre de combustion et sur les surfaces extérieures entourant d'évent.
8. Vérifiez si le brûleur principal allume sur tous les orifices lorsque le bouton de contrôle du gaz est à « ON ». Un temps d'allumage total de 5 à 10 secondes est satisfaisant. Si l'allumage prend plus de temps, consultez votre revendeur agréé ou du distributeur.
9. Inspectez visuellement l'appareil pour des dépôts de carbone. À l'aide d'une balayette ou d'une brosse, enlevez le carbone et aspirez-le avec un aspirateur ou mettez-le au rebut.
10. **Cette étape n'est pas pour les appareils d'événements libres:** Vérifiez que l'appareil correctement mise à l'événement. Vérifiez que le système de cheminée est sûr et accessible. (Si pour auqu'un raison le système d'air est démonter, installez et scellez conformément aux instructions d'installation fournies).

AVERTISSEMENT

- Nettoyer pas la vitre lorsqu'elle est chaude! N'employez pas de détergents abrasifs pour nettoyer la vitre.

Polissez légèrement à l'aide d'un linge propre et sec pour enlever la poussière et les traces de doigts. Nettoyez les deux côtés de la vitre avec un nettoyant sans ammoniac après les dix premières heures de fonctionnement.

note:

Les nettoyants à base de vinaigre procurent habituellement une surface propre et sans traces.

Par la suite, nettoyez aussi souvent qu'il le faudra, sinon la vitre risque de rester marquée en permanence.

Ne touchez pas la surface intérieure ou extérieure de la vitre avec des lames de rasoir, de la laine d'acier ou d'autres objets métalliques puisque la mince couche de métal retirée de l'objet pourrait se déposer sur le revêtement causant une décoloration ou une égratignure. Plus important encore, cela peut rayer la surface du verre réduisant ainsi sa puissance.

Ne pas faire fonctionner l'appareil avec la vitre brisée, les fuites de gaz de combustion peut résulter.

Contactez votre détaillant local autorisé pour les instructions de nettoyage complètes.

Si la vitre devait fissurer pendant que le feu brûle, n'ouvrez pas la porte jusqu'à ce que le feu s'éteigne et n'utilisez pas l'appareil jusqu'à ce que la vitre ait été remplacée par une nouvelle, disponible chez votre détaillant autorisé. **N'UTILISEZ PAS DE MATÉRIAUX SUBSTITUTS.**

L'appareil est muni d'une 5mm vitre en verre trempé. Remplacez uniquement avec une vitre certifiée pour le foyer disponible chez votre détaillant autorisé. **N'UTILISEZ PAS DE MATÉRIAUX SUBSTITUTS.**

13.2 entretien annuel

AVERTISSEMENT

- Le caisson devient très chaud lors du fonctionnement. Laissez l'appareil se refroidir complètement ou portez des gants antichaleur avant d'effectuer l'entretien.
- Ne jamais aspirer des braises qui sont chaudes.
- Ne peinturez pas l'assemblage de la veilleuse.

- Cet appareil nécessite un entretien qui devra être effectué sur une base annuelle.
- L'entretien devrait inclure un nettoyage, le remplacement des piles, une inspection du système d'évent, du brûleur, des éléments décoratifs internes et de la chambre de combustion. Consultez la section pour l'enlèvement de la porte et retirez la porte comme indiqué. Consultez la section pour l'enlèvement de l'écran de protection et retirez la porte comme indiqué.
- Enlevez soigneusement les éléments décoratifs internes s'il y a lieu (bûches, braises de verre, panneaux de brique, etc.)
- À l'aide d'un aspirateur muni d'une brosse souple, aspirez les saletés, les débris et les dépôts de carbone sur les bûches, la chambre de combustion et le brûleur. Pour les braises de verre, suivez les instructions de prénettoyage.

note:

Vous devrez nettoyer le capteur de flamme à l'aide d'un morceau de laine d'acier ou un tampon récurage (Scotch-Brite^{MD}) afin de retirer toute trace d'oxydation. Nettoyez l'assemblage du pilote à l'aide d'un aspirateur muni d'une brosse souple. Il est important de ne pas peindre l'assemblage de la veilleuse.

- Enlevez aussi tout dépôt se trouvant sur l'assemblage de la veilleuse et aussi, s'il y a lieu, sur la thermopile, le thermocouple, le capteur de flamme et l'allumeur.
- Inspectez tous les joints d'étanchéité accessibles et remplacez-les au besoin.
- Accédez à la soufflerie, s'il y a lieu, puis nettoyez à l'aide d'une brosse souple et d'un aspirateur.
- Réinstallez tous les composants dans l'ordre inverse.
- Inspectez le système de surpression. L'appareil dissipe la pression par la porte vitrée ou par les clapets sur le dessus du caisson. Assurez-vous qu'ils ouvrent sans restriction et qu'ils ferment de façon étanche. Si la vitre de la porte est fissurée, remplacez. Seulement utiliser le verre fourni par votre détaillant autorisé.
- Vérifiez si la soupape de gaz de la veilleuse et les boutons Hi / Lo bougent librement (s'il y a lieu) - remplacez si vous constatez de la rigidité dans le mouvement.
- Vérifiez tous les branchements du gaz pour des fuites de gaz, en amont et en aval de la soupape de gaz incluant les connexions du tube de la veilleuse.

13.3 remplacement de la vitre / porte

! AVERTISSEMENT

- N'utilisez pas de matériaux de substitution.
- La vitre peut être chaude, ne touchez pas la vitre jusqu'à ce qu'elle ait refroidi.
- Usez de prudence lorsque vous enlevez et jetez des débris de verrou des composants endommagés. Assurez-vous d'aspirer tous les débris de verre à l'intérieur de l'appareil avant de le faire fonctionner.
- Ne frappez pas, ne claquez pas et n'égratinez pas la porte vitrée. Ne faites pas fonctionner l'appareil lorsque la porte vitrée est enlevée, fissurée, brisée ou égratignée

Ensemble de verre/cadre de remplacement est remplacé complète telle que fournie par le fabricant de l'appareil.

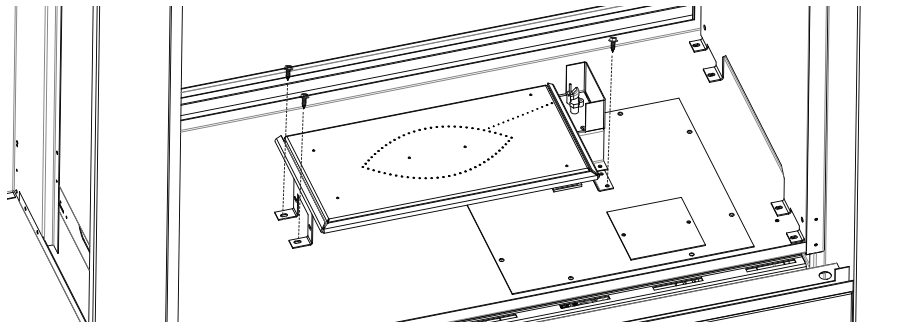
13.4 enlèvement du brûleur

13.4.1 enlèvement du brûleur pour les bûches

- Enlevez les porte(s), voir la section « installation / enlèvement de la porte ».
- Soigneusement enlevez les braises incandescentes, les braises de charbon, les morceaux de braises de charbon et les bûches de l'appareil.
- Enlevez tous les bases de protection de l'appareil. Voir la section « installation des bases de protection ».
- Enlevez les 4 vis sécurisant le brûleur en place. Glissez le brûleur hors de l'injecteur puis enlevez de l'appareil.
- Pour réinstaller le brûleur, renverser ces étapes.

note:

En réinstallant le brûleur, garantir que le venturi se repose sur l'injecteur.



entretien

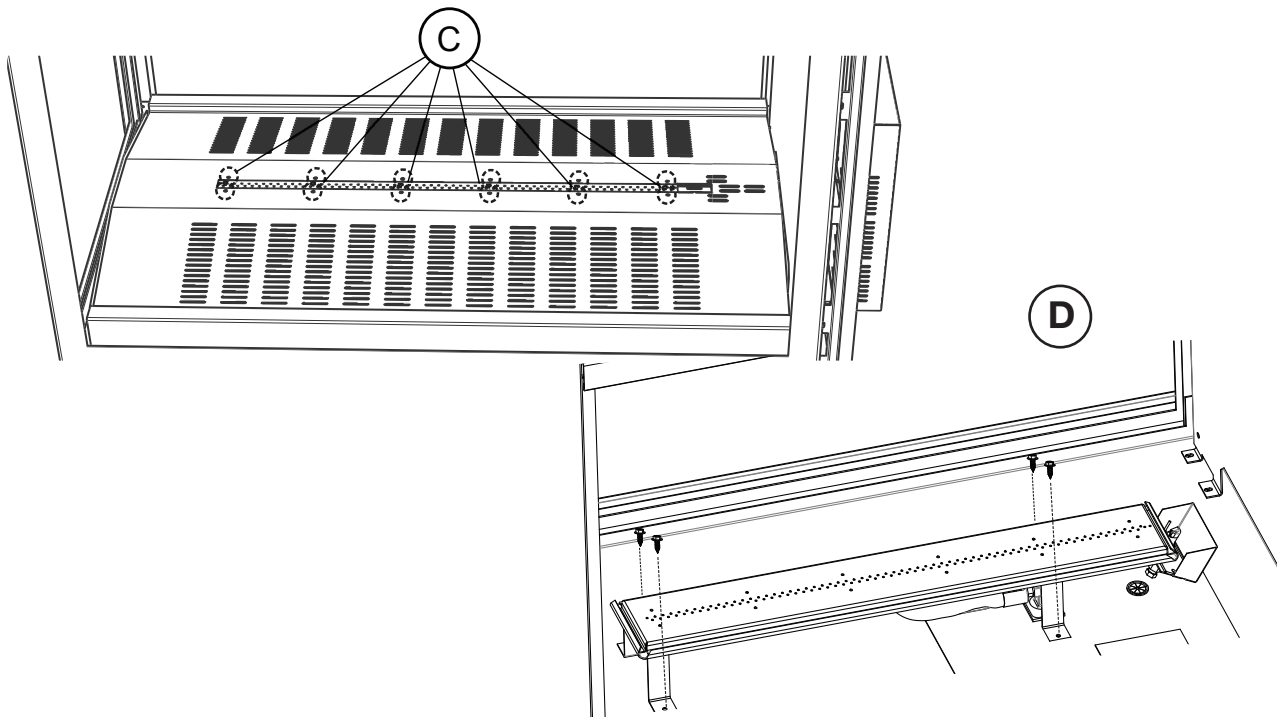
FR

13.4.2 enlèvement du brûleur de verre

- A. Enlevez les porte(s), voir la section « installation / enlèvement de la porte ».
- B. Passer à l'aspirateur au braises vitrifiées de l'appareil. Sois certaine de vider et remplacez la sac de l'aspirateur avant de commencer.
- C. Enlevez les 12 vis qui obtienne le plateau, puis enlever le plateau de l'appareil, comme illustré ci-dessous.
- D. Enlevez les 4 vis qui obtienne le brûleur, comme illustré ci-dessous. Glissez le brûleur hors de l'injecteur puis enlevez-le de l'appareil.
- E. Pour réinstaller le brûleur renverser ces étapes.

note:

En réinstallant le brûleur, garantir que le venturi se repose sur l'injecteur.

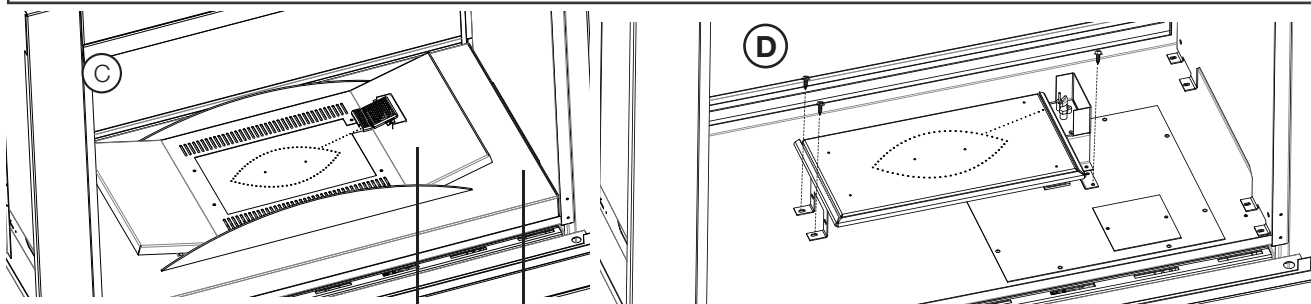


13.4.3 enlèvement du brûleur des bûches

- A. Enlevez les porte(s), pour les instruction voir la section « installation / enlèvement de la porte ».
- B. Soigneusement enlevez les roches ou braises vitrifiées de l'appareil.
- C. Pour enlever le plateau, soulevez l'étage du plateau et le plateau vers le haut et hors de l'appareil. Le plateau et l'étage du plateau sont fixés ensemble et se relâchent dedans le chambre de combustion.
- D. Enlevez les 4 vis qui obtienne le brûleur, comme illustré ci-dessous. Glissez le brûleur hors de l'injecteur puis enlevez-le de l'appareil.
- E. Pour réinstaller le brûleur renverser ces étapes.

note:

En réinstallant le brûleur, garantir que le venturi se repose sur l'injecteur.



L'ÉTAGE DU LE
PLATEAU PLATEAU

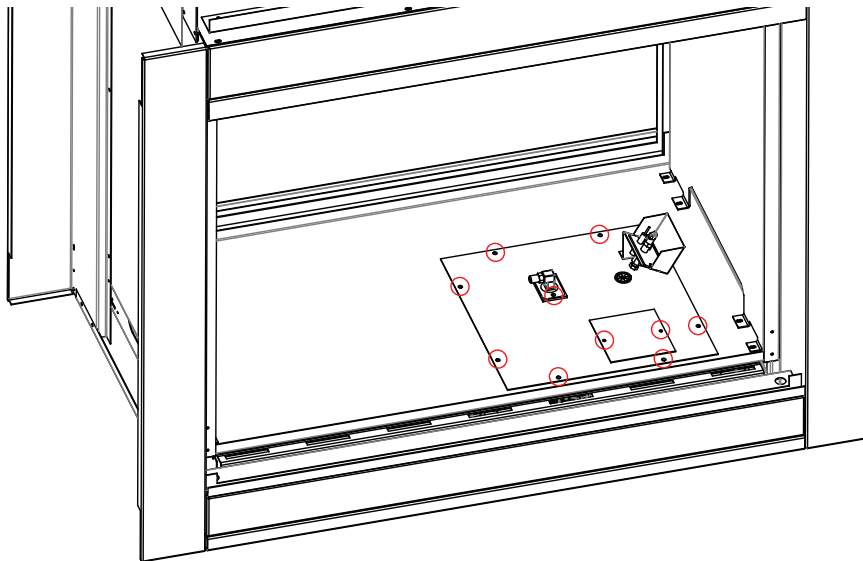
13.5 remplacement de l'assemblage de la soupape

- A. Enlevez la l'écran de protection et la porte vitrée. Voir la section « installation/enlèvement de la porte » et « retrait de l'écran de protection principal et l'installation ».
- B. Enlevez le brûleur, voir la section « enlèvement du brûleur ».
- C. Enlevez les 12 vis servant à fixer l'assemblage de la soupape.

note:

Il est possible qu'un nouveau joint d'étanchéité soit nécessaire lors de la réinstallation de l'assemblage de la soupape. Contactez votre détaillant local autorisé.

- D. Soulevez l'assemblage de la soupape avec soin, suffisamment loin pour accéder à la soupape d'arrêt manuelle puis tournez-la à « OFF ». Débranchez le raccord flexible de la soupape. Vous pouvez maintenant retirer l'assemblage de la soupape de l'appareil.



14.0 pièces de rechanges

FR

AVERTISSEMENT

- Omettre de positionner les pièces conformément à ce manuel ou d'utiliser uniquement des pièces spécifiquement approuvées pour cet appareil peut causer des dommages matériels ou des blessures corporelles.
- **Ceci est un thermocouple à action rapide qui constitue un composant essentiel de sécurité. Remplacez uniquement par un thermocouple à action rapide de Wolf Steel.

Contactez votre détaillant pour les questions concernant les prix et la disponibilité des pièces de remplacement. Normalement, toutes les pièces peuvent être commandées chez votre détaillant autorisé.

Pour un remplacement de pièce sous garantie, une photocopie de la facture originale sera requise afin de pouvoir honorer la demande.

Lorsque vous commandez des pièces, donnez toujours l'information suivante:

- Modèle et numéro de série de l'appareil
- Date d'installation de l'appareil
- Numéro de la pièce
- Description de la pièce
- Fini

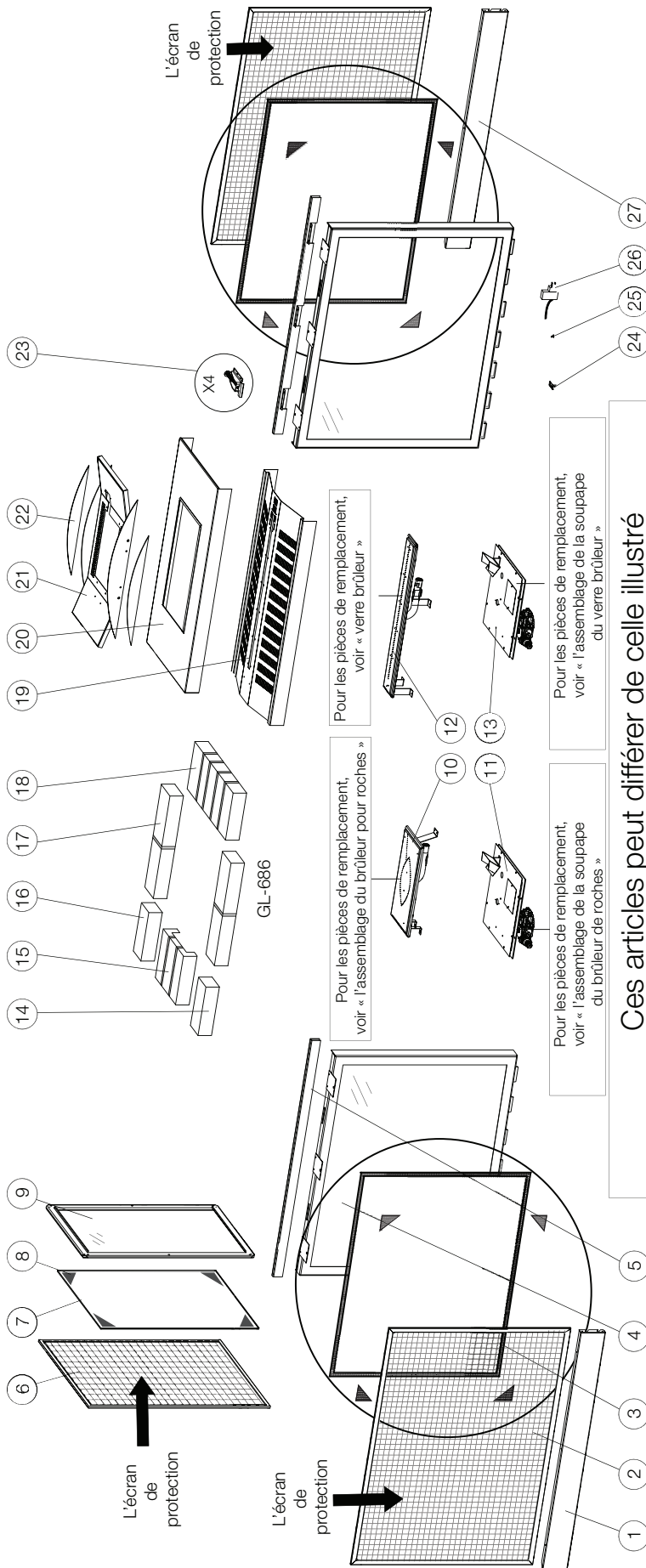
Pièces, numéro des pièces et s'il soit disponible peut changer sans préavis.

Parties identifiées comme garnie seront livrés dans 2 à 5 jours pour la plupart des destinations de livraison.

Pièces non identifiées que stockés seront livrés dans un délai de 2 à 4 semaines pour la plupart des cas.

Pièces identifiées comme « SO » sont commande spéciale et peuvent prendre jusqu'à 90 jours pour la livraison.

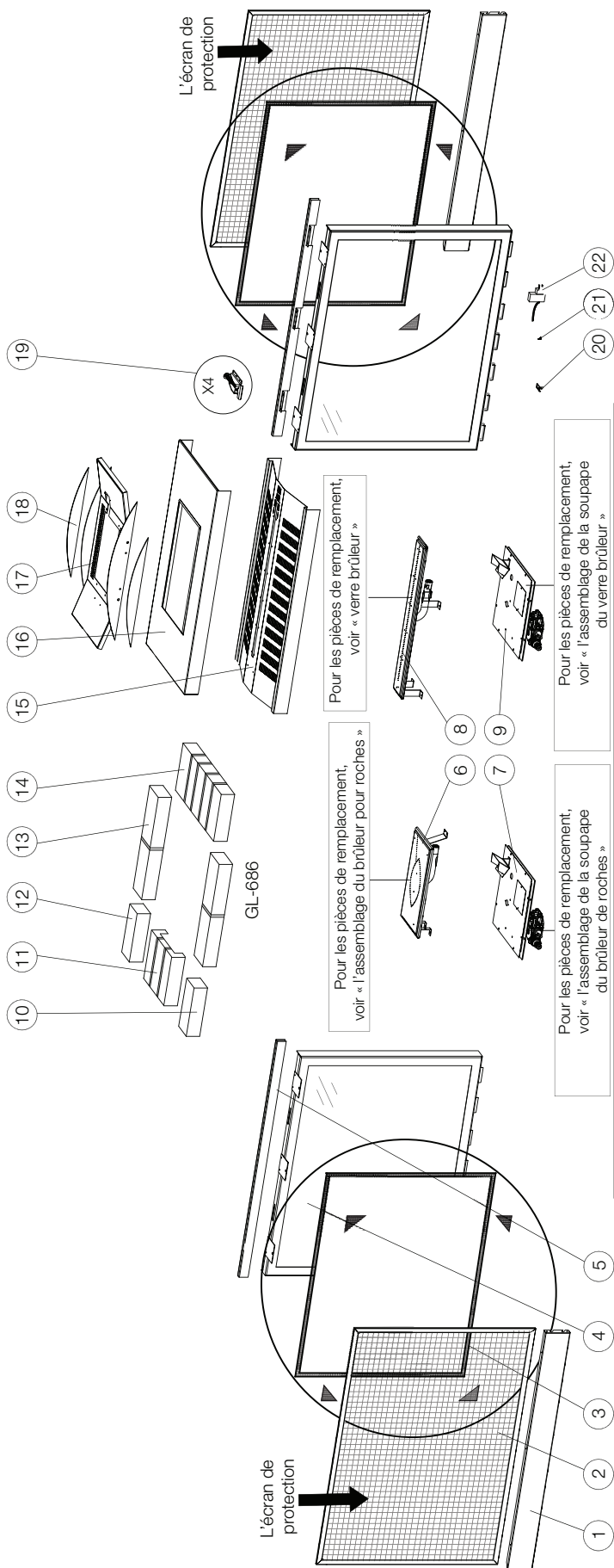
14.1 BHD4P vue d'ensemble



Ces articles peut différer de celle illustré

Réf.	No. de pièce	Description	En stock	Réf.	No. de pièce	Description	En stock
1	W010-3209-SER	(Côté droite) Panneau d'accès de la soupape		14	W333-0021	Brique de plancher de côté #1 (GL-686)	Oui
2	W565-0264-SER	L'écran de protection		15	W333-0020	Brique de plancher entaillée #3 (GL-686)	Oui
3	W562-0068	Ensemble de joint d'étanchéité	Oui	16	W333-0024	Brique de plancher de côté #1A (GL-686)	Oui
4	W010-3205	Assemblage de la porte	Oui	17	W333-0023	Brique de plancher centrale #2 (GL-686)	Oui
5	W010-3192-SER	Assemblage de l'écran de retenue		18	W333-0022	Brique de plancher d'extrémité #4 (GL-686)	Oui
6	W565-0265-SER	Écran de protection d'extrémité		19	W710-0059-SER	Plaque de brides vitrifiées	
7	W562-0007	Joint d'étanchéité de la porte fin		20	W655-0561-SER	Support du bol	
8	W667-0018-SER	Joint d'étanchéité	Oui	21	W010-3481	Assemblage du bol	
9	W010-2898	Assemblage de la porte fin	Oui	22	W010-2997	Assemblage de la garniture du bol	
10	W100-0161-SER	Brûleur pour roches et brides vitrifiées	Oui	23	W010-2829	Assemblage du loquet de porte	
11	W010-3207	L'assemblage de la soupape de brûleur pour les bûches		24	W080-1395	Support du interrupteur ACS	
12	W100-0160	Brûleur pour brides vitrifiées	Oui	25	W750-0191	Interrupteur ACS	Oui
13	W010-3206	L'assemblage de la soupape de brûleur pour brides vitrifiées		26	W707-0010	Transformateur	Oui
				27	W010-3208-SER	(Côté gauche) Panneau d'accès de la soupape	

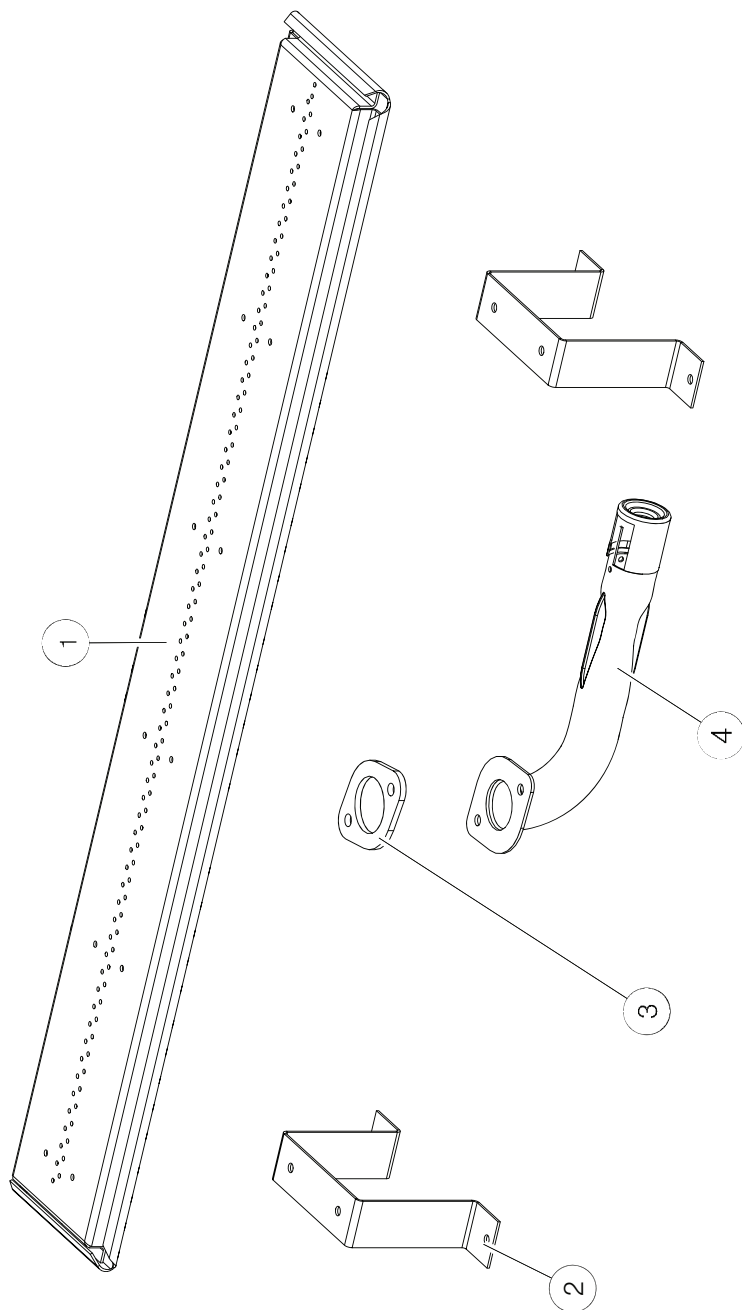
14.2 BHD4ST vue d'ensemble



Ces articles peuvent différer de celle illustré

Réf.	No. de pièce	Description	En stock	Ref.	No. de pièce	Description	En stock
1	W475-0928-SER	Panneau d'accès de la soupape		12	W333-0024	Brique de plancher de côté #1A (GL-686)	Oui
2	W565-0263-SER	L'écran de protection		13	W333-0023	Brique de plancher centrale #2 (GL-686)	Oui
3	W562-0068	Ensemble de joint d'étanchéité	Oui	14	W333-0022	Brique de plancher d'extrémité #4 (GL-686)	Oui
4	W010-3205	Assemblage de la porte	Oui	15	W710-0059-SER	Plateau de braises vitrifiées	
5	W010-3191-SER	Assemblage de l'écran de retenue	Oui	16	W655-0561-SER	Support du bol	
6	W100-0161-SER	Brûleur pour roches et braises vitrifiées	Oui	17	W010-3481	Assemblage du bol	
7	W010-3207	L'assemblage de la soupape de brûleur pour les bûches	Oui	18	W010-2997	Assemblage de la garniture du bol	
8	W100-0160	Brûleur pour braises vitrifiées	Oui	19	W010-2829	Assemblage du loquet de porte	
9	W010-3206	L'assemblage de la soupape de brûleur pour braises vitrifiées	Oui	20	W080-1395	Support du interrupteur ACS	Oui
10	W333-0021	Brique de plancher de côté #1 (GL-686)	Oui	21	W750-0191	Interrupteur ACS	Oui
11	W333-0020	Brique de plancher entaillée #3 (GL-686)	Oui	22	W707-0010	Transformateur	Oui

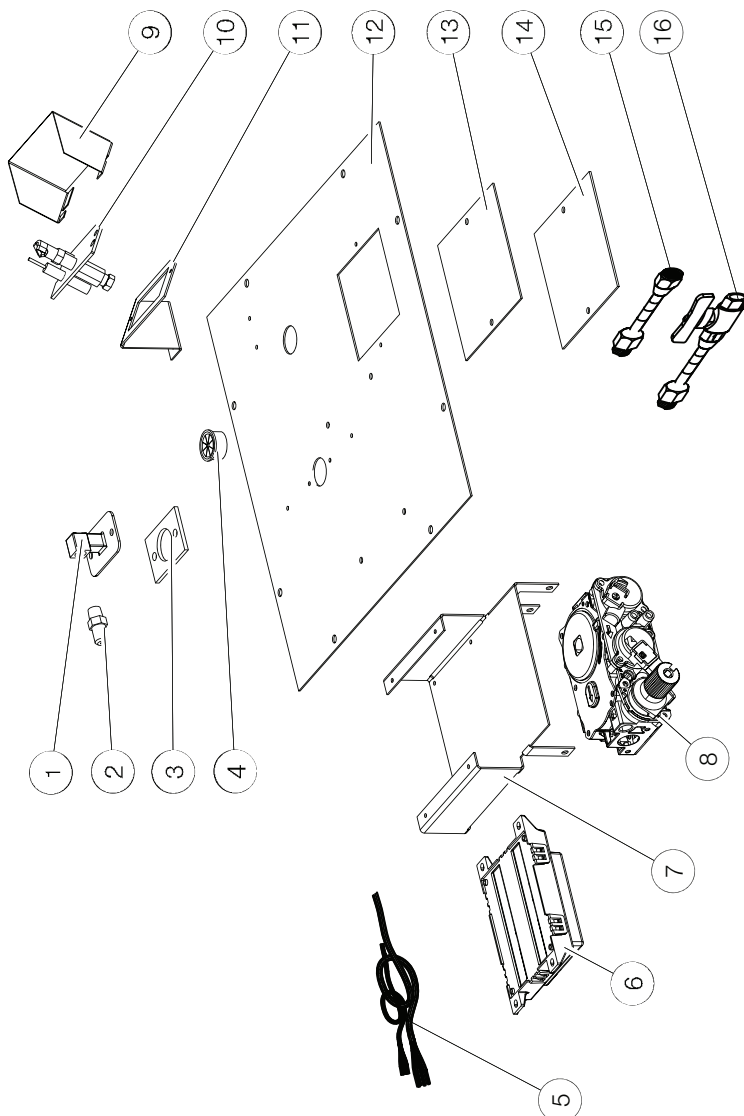
14.3 l'assemblage du brûleur de verre



Ces articles peut différer de celle illustré

Ref.	No. de pièce	Description	En stock
1	W010-2954-SER	Assemblage du brûleur	Oui
2	W080-1400-SER	Support du brûleur	
3	W290-0018	Joint d'étanchéité du venturi	Oui
4	W720-0005	Venturi	

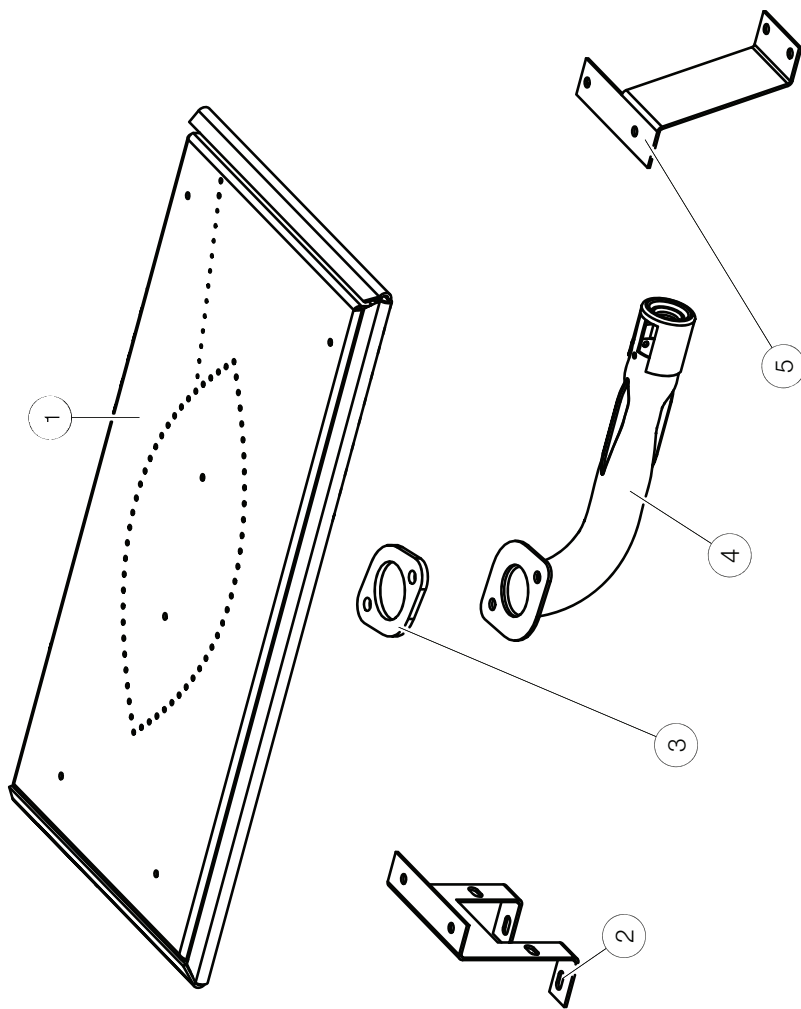
14.4 l'assemblage de la soupape du brûleur de verre



Ces articles peut différer de celle illustré

Réf.	No. de pièce	Description	En stock	Réf.	No. de pièce	Description	En stock
1	W432-0103	Collecteur du gaz		9	W585-0790-SER	Boîtier de veilleuse	
2	W456-0037	Injecteur de veilleuse #37 (GN)	Oui	10	W010-3024	Assemblage de veilleuse (GN)	Oui
2	W456-0052	Injecteur de veilleuse #52 (P)	Oui	10	W010-3024	Assemblage de veilleuse (P)	Oui
3	W290-0157	Collecteur du joint d'étanchéité	Oui	11	W080-1304-SER	Support de veilleuse	
4	W105-0001	Bague		12	W035-0337-SER	Base de la soupape	
5	W010-1985	Ensemble du harnais de fils	Oui	13	W200-0456	Couvercle d'accès soupape	
6	W190-0175	Panneau de contrôle	Oui	14	W290-0247	Joint d'étanchéité d'accès	Oui
7	W080-1366	Support de soupape		15	W175-0311	Raccord flexible 3/8"	
8	W725-0065	Soupape (GN)	Oui	16	W175-0217	Raccord flexible avec soupape	Oui
8	W725-0066	Soupape (P)	Oui				

14.5 l'assemblage du brûleur des bûches

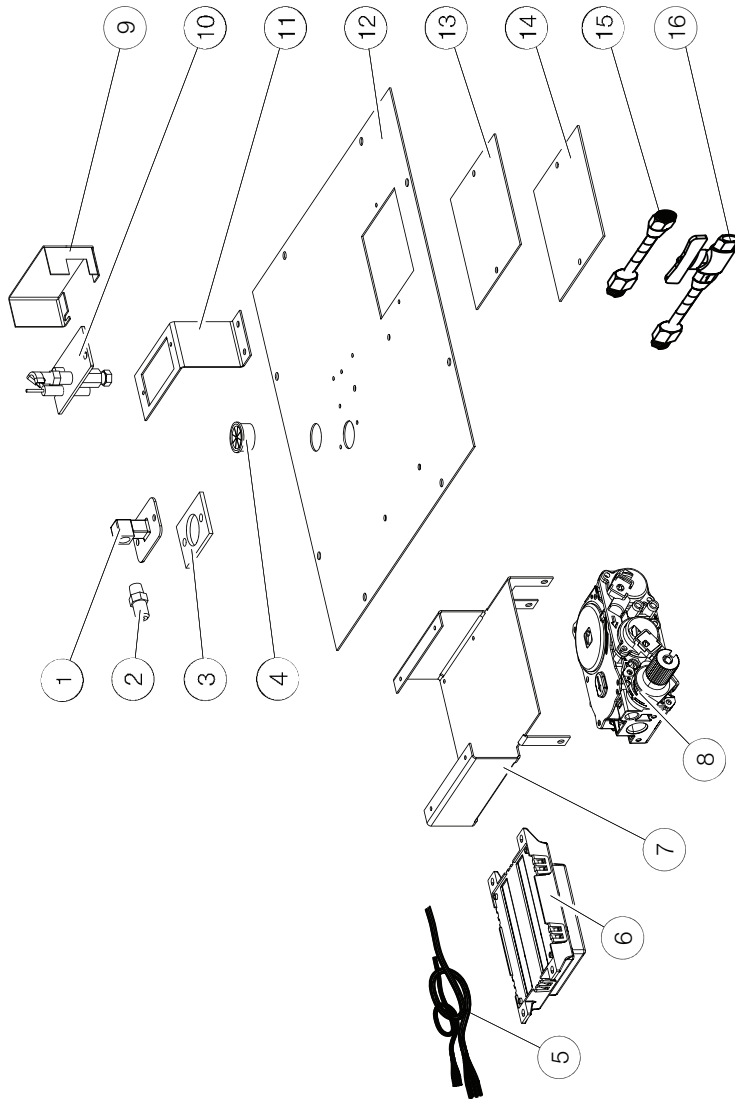


Ces articles peut différer de celle illustré

Réf.	No. de pièce	Description	En stock
1	W010-2955	Assemblage du brûleur	Oui
2	W080-1463	Support du brûleur	
3	W290-0018	Joint d'étanchéité du venturi	Oui

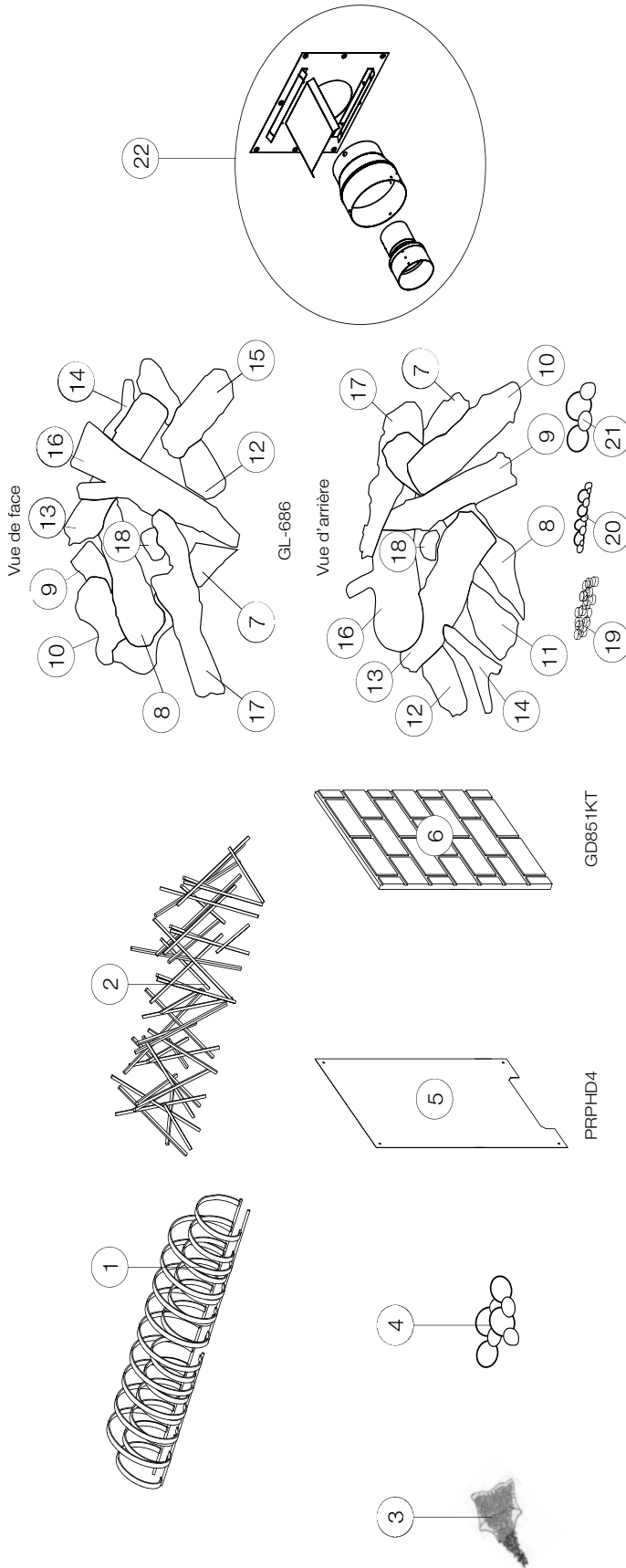
Réf.	No. de pièce	Description	En stock
4	W720-0005	Venturi	
5	W080-1399	Support du brûleur	

14.6 l'assemblage de la soupape du brûleur des bûches



Ces articles peut différer de celle illustré

Réf.	No. de pièce	Description	En stock	Réf.	No. de pièce	Description	En stock
1	W432-0103	Collecteur du gaz		9	W350-0840	Boîtier de veilleuse	
2	W456-0037	Injecteur de veilleuse #37 (GN)	Oui	10	W010-3024	Assemblage de veilleuse (GN)	Oui
2	W456-0052	Injecteur de veilleuse #52 (P)	Oui	10	W010-3024	Assemblage de veilleuse (P)	Oui
3	W290-0157	Collecteur du joint d'étanchéité	Oui	11	W080-1372	Support de veilleuse	
4	W105-0001	Bague		12	W035-0338	Base de la soupape	
5	W010-1985	Ensemble du harnais de fils	Oui	13	W200-0456	Couvercle d'accès soupape	
6	W190-0175	Panneau de contrôle	Oui	14	W290-0247	Joint d'étanchéité	Oui
7	W080-1366	Support de la soupape		15	W175-0311	Raccord flexible 3/8"	
8	W725-0065	Soupape (GN)	Oui	16	W175-0217	Raccord flexible avec soupape	Oui
8	W725-0066	Soupape (P)	Oui				



Ces articles peut différer de celle illustré

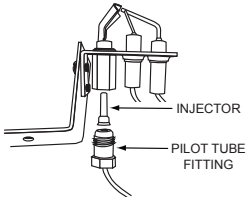
Ref.	No. de pièce	Description	En stock	Ref.	No. de pièce	Description	En stock
1	LDAC	Serpentin métallique		11	W135-0531	Bûche #5	Oui
2	LDNS	Bâtonnets décoratifs plaqués nickel		12	W135-0532	Bûche #6	Oui
3	MKB_	Ensembles décoratifs de billes de verre (variété de couleurs)		13	W135-0533	Bûche #7	Oui
3	MKG_	Ensembles décoratifs de braises de verre (variété de couleurs)		14	W135-0534	Bûche #8	Oui
4	MRKM	Ensemble mineral rock		15	W135-0535	Bûche #9	Oui
5	PRPHD4	Panneau réflecteur radiant en porcelaine d'extrémité		16	W135-0536	Bûche #10	Oui
6	GD851KT	Panneau simili-briques d'extrémité Newport		17	W135-0537	Bûche #11	Oui
7	W135-0527	Bûche #1	Oui	18	W135-0540	Morceaux de charbon de bois #12	Oui
8	W135-0528	Bûche #2	Oui	19	W361-0016	Braises incandescentes	Oui
9	W135-0529	Bûche #3	Oui	20	W550-0001	Braises de charbon	Oui
10	W135-0530	Bûche #4	Oui	21	W550-0002	Morceaux de charbon de bois	Oui
				21	A4758AK	Trousse des panneaux d'extension 5/8" à 47"	Oui

16.0 guide de dépannage

FR

! AVERTISSEMENT

- Allumez toujours la veilleuse, que ce soit pour la première fois ou lorsque l'approvisionnement en gaz est épuisé, avec la porte vitrée ouverte ou retirée.
- Coupez l'alimentation en gaz et l'alimentation électrique avant de procéder à l'entretien de l'appareil.
- L'appareil peut être chaud. N'effectuez aucun entretien jusqu'à ce que l'appareil soit refroidi.
- N'utilisez pas de nettoyeurs abrasifs

symptôme	problème	solution															
La flamme du brûleur principal est bleue, paresseuse et transparente (Ce n'est pas applicable dans les appareils d'extérieur)	Système d'évacuation bloqué.	- Enlevez ce qui obstrue. Dans des conditions de froid extrême, une accumulation de glace peut se former sur la terminaison et devrait être enlevée lorsque nécessaire. (Pour minimiser les chances que cela survienne de nouveau, il est recommandé que les événements qui passent à travers des espaces non chauffés [greniers, garages, espaces réduits] soient recouverts d'un manchon isolant en mylar).															
	Installation incorrecte.	- Voir la section « évacuation » pour vérifier le bon emplacement des collets de solin.															
Les flammes sont régulièrement trop grandes ou trop petites. Il se produit des dépôts de carbone.	La pression du gaz est trop faible ou trop forte.	- Vérifiez la pression: Pour vérifier la pression d'arrivée, tournez 2 ou 3 fois la vis (A) vers la gauche, puis emboîtez le tube du manomètre sur la pointe d'essai. Le manomètre doit indiquer la pression comme décrit sur le diagramme ci-dessous. Assurez-vous que le brûleur principal fonctionne à « HI ». La pression de sortie peut être vérifiée de la même façon en utilisant la vis (B). Le manomètre doit indiquer la pression comme décrit sur le diagramme ci-dessous. Assurez-vous que le brûleur principal fonctionne à « HI ». Après avoir pris la lecture des pressions, assurez-vous de tourner fermement les vis vers la droite pour sceller. NE SERREZ PAS TROP FORT. Vérifiez pour des fuites en appliquant une solution d'eau savonneuse.															
	 <p>INJECTOR PILOT TUBE FITTING</p>																
		<table border="1"> <thead> <tr> <th>Pression</th> <th>Gaz Naturel (pouces)</th> <th>Gaz Naturel (millibars)</th> <th>Propane (pouces)</th> <th>Propane (millibars)</th> </tr> </thead> <tbody> <tr> <td>Arrivée</td> <td>*7" (minimum 4,5")</td> <td>17,4mb (minimum 11,2mb)</td> <td>13" (minimum 11")</td> <td>32,4mb (minimum 27,4mb)</td> </tr> <tr> <td>Sortie</td> <td>3,5"</td> <td>8,7mb</td> <td>10"</td> <td>24,9mb</td> </tr> </tbody> </table> <p>*Pression d'alimentation maximale ne doivent pas dépasser 13"</p>	Pression	Gaz Naturel (pouces)	Gaz Naturel (millibars)	Propane (pouces)	Propane (millibars)	Arrivée	*7" (minimum 4,5")	17,4mb (minimum 11,2mb)	13" (minimum 11")	32,4mb (minimum 27,4mb)	Sortie	3,5"	8,7mb	10"	24,9mb
Pression	Gaz Naturel (pouces)	Gaz Naturel (millibars)	Propane (pouces)	Propane (millibars)													
Arrivée	*7" (minimum 4,5")	17,4mb (minimum 11,2mb)	13" (minimum 11")	32,4mb (minimum 27,4mb)													
Sortie	3,5"	8,7mb	10"	24,9mb													
	Le volet d'air est réglé incorrectement.	- Voir la section « réglage du venturi » pour le réglage de l'ouverture du volet d'air dans le manuel d'installation.															
Du carbone se dépose sur la vitre, les bûches, les roches, les composants décoratifs ou les parois de la chambre de combustion.	Le volet d'air est bloqué.	- Assurez-vous que l'ouverture du volet d'air n'est pas bloquée par des fibres ou autres obstructions.															
	La flamme effleure la vitre, les bûches, les roches, les composants décoratifs ou les parois de la chambre de combustion.	- Vérifiez si les composants décoratifs sont positionnés correctement. - Augmentez l'ouverture du volet d'air pour augmenter le volume d'air primaire. - Vérifiez le débit d'alimentation: vérifiez que la pression du collecteur et la grandeur de l'injecteur soient telles que spécifiées sur la plaque d'homologation. - Vérifiez si les joints d'étanchéité de la porte ne sont pas brisés ni manquants et qu'ils sont étanches. - Vérifiez que les deux conduits d'événement ne soient pas troués et qu'ils soient bien scellés à tous les joints. - Vérifiez si l'élévation minimale par pied (mètre) est conforme pour toute évacuation horizontale.															
Une pellicule blanche ou grise se forme.	Le soufre du combustible se dépose sur la vitre, les bûches ou les parois de la chambre de combustion.	- Nettoyez la vitre avec un nettoyeur recommandé. NETTOYER PAS LORSQU'ELLE EST CHAUDE. - Si vous nettoyez pas les dépôts régulièrement, la vitre risque de rester marquée en permanence.															
On détecte l'odeur des gaz de combustion dans la pièce, maux de tête.	L'appareil refoule les gaz de combustion dans la pièce. (Ce n'est pas applicable dans les appareils d'extérieur).	- Vérifiez tous les joints scellés de la porte. - Vérifiez si la cheminée ne serait pas bloquée. - Vérifiez que les conduits d'événements sont installés correctement. - La pièce est sous pression négative; augmentez l'apport d'air frais.															

symptôme	problème	solution
La veilleuse ne s'allume pas. Il y a du bruit mais aucune étincelle au brûleur de la veilleuse.	Câblage: pénurie, connexion desserrée (rectification de la flamme pauvres).	<ul style="list-style-type: none"> - Vérifiez qu'il n'y a pas de connexions desserrées du thermocouple ni sonde de flamme. - Vérifiez l'interrupteur de bloc n'est pas endommagée ou trop serré. Vérifiez si les connexions de l'assemblage de la veilleuse sont serrées; vérifiez aussi si ces connexions ne causent pas de mise à la terre au niveau du métal. (Souvenez-vous que la flamme transporte le courant redresseur et non le gaz. Si la flamme se détache de la hotte, le circuit est rompu. Un mauvais injecteur ou une pression d'arrivée trop élevée peut causer la flamme de la veilleuse à se détacher)*. La tige de la sonde a possiblement besoin d'être nettoyée.
	Aucun signal du télécommande avec ignition du veilleuse.	<ul style="list-style-type: none"> - Reprogrammer le code du récepteur. - Remplacer le récepteur.
	Connexion desserrée.	<ul style="list-style-type: none"> - Vérifiez qu'il n'y ait pas de connexions desserrées de courts-circuits dans le filage du soupape ni de l'assemblage de la veilleuse.
	Filage d'interrupteur inapproprié.	<ul style="list-style-type: none"> - Réparez le système avec un simple interrupteur marche/arrêt.
	Composants de veilleuse sale, peint ou endommagée.	<ul style="list-style-type: none"> - Nettoyez la tige de la sonde avec une toile d'émeri (Scotch-Brite™) afin d'enlever toute contamination qui ait pu s'accumuler sur la tige de la sonde. Vérifiez la continuité avec un multimètre réglé sur Ohms au calibre le plus bas.
Étincelle à la veilleuse mais celle-ci ne s'allume pas.	Alimentation en gaz.	<ul style="list-style-type: none"> - Vérifiez si la soupape à bille du conduite d'arrivée du gaz est « ouverte ». - Vérifiez si la pression d'arrivée est dans les limites acceptables. La pression d'arrivée ne doit pas excéder 13" de colonne d'eau (32,4mb).
	Plus de propane.	<ul style="list-style-type: none"> - Remplissez le réservoir.
	La ligne d'alimentation de la veilleuse peut contenir l'air.	<ul style="list-style-type: none"> - Répétez le processus d'étincelles plusieurs fois ou purger la conduite d'alimentation de la veilleuse.
	Le module n'est pas mis à la terre.	<ul style="list-style-type: none"> - Assurez le bon polarité du thermocouple (si fourni). - Vérifiez si les assemblages de la veilleuse et de la soupape sont bien mis à la terre.
	Récepteur (si équipé).	<ul style="list-style-type: none"> - Réinitialisez la programme: tenir le bouton de réinitialiser sur le récepteur attendre pour 2 bips. Relâcher le bouton après la deuxième bip. Pendant 20 secondes, appuyez sur le bouton de la télécommande accompagné d'une petite flamme, vous entendrez une bip additionnelle (cela confirmant que le code est réglé). - Remplacez le récepteur.
	Soupape.	<ul style="list-style-type: none"> - Vérifiez le soupape et remplacer si nécessaire (attention à ne pas trop serrer le thermocouple).
Continue de produire des étincelles et la veilleuse s'allume mais le brûleur principal ne s'allume pas.	Court-circuit ou connexion desserrée dans la tige de la sonde.	<ul style="list-style-type: none"> - Vérifiez toutes connexions. Vérifiez si les connexions de l'assemblage de la veilleuse sont serrées; vérifiez aussi si ces connexions ne causent pas de mise à la terre au niveau du métal.
	Composants de veilleuse sale, peint ou endommagée.	<ul style="list-style-type: none"> - Nettoyez la tige de la sonde avec une toile d'émeri (Scotch-Brite™) afin d'enlever toute contamination qui ait pu s'accumuler sur la tige de la sonde. Vérifiez la continuité avec un multimètre réglé sur Ohms au calibre le plus bas.
Interrupteur mural est en position « off »; la brûleur s'allume.	L'interrupteur mural est monté à l'envers.	<ul style="list-style-type: none"> - Inverse.
	Interrupteur mural et/ou le fil est relié à la terre.	<ul style="list-style-type: none"> - Remplacer. - Vérifier la masse (court); réparer ou remplacer les fils.
	Câble défectueux.	<ul style="list-style-type: none"> - Remplacer.
Le télécommande ne fonctionne pas correctement.	La télécommande s'allume mais aucune étincelle ou flamme. (La télécommande est verrouillé).	<ul style="list-style-type: none"> - Réinitialiser en tournant l'alimentation « off » puis « on ». <div style="border: 1px solid black; padding: 5px; margin-top: 10px;"> <p>note: Si les piles de sauvegarde sont installés, ils doivent être enlevées pour programmer le télécommande.</p> </div>
	Les piles du récepteur ou télécommande sont faibles.	<ul style="list-style-type: none"> - Remplacez les piles.
	Erreur de synchronisation.	<ul style="list-style-type: none"> - Réinitialiser le télécommande et le récepteur.
	Le télécommande est trop loin du récepteur.	<ul style="list-style-type: none"> - Voir la section « schéma de câblage ».
	Les broches de connecteur de fils sont courbés.	<ul style="list-style-type: none"> - Redresser les fils.
	Câblage de la soupape est endommagée	<ul style="list-style-type: none"> - Remplacez la soupape.

symptôme	problème	solution
Moteur tourne, les bips fréquent se produit.	Les piles du récepteur sont faibles.	- Remplacez les piles.
Lumières ou la soufflerie ne fonctionnent pas (si équipé).	L'interrupteur de contrôle est à la mauvaise position.	- Vérifiez que l'interrupteur « on/off » est en position « I », ce qui indique le fonctionnement.
	L'interrupteur « COM » est débranché.	- Vérifiez que l'interrupteur « COM » est branché à l'avant du module de contrôle.
Les flammes sont très actives.	La porte est ouvert.	- Assurez-vous que la porte est bien fermée.
	Forte action de ventilation.	- Assurez-vous que l'évacuation est adéquatement scellée ou étranglez la sortie de l'évacuation avec la plaque de restriction. (La plaque de restriction n'est pas disponible pour toutes modèles).
L'appareil n'effectue aucune fonction.	Pas de puissance au système.	- Vérifiez que le disjoncteur est dans la position « on » position.
	L'interrupteur du récepteur est à la mauvaise position (si équipé).	- Vérifiez que le récepteur est dans la position « milieu ».
	La télécommande ne fonctionne pas.	- Vérifiez les pile ainsi que leur orientation.

Le guide suivant est pour le système de SIT seulement:

La veilleuse ne s'allume pas. Aucun bruit et aucune étincelle au brûleur de la veilleuse. (Les lumières et la soufflerie fonctionnent, si équipé).

La boîte d'allumage a été verrouillée.

Choisissez l'une des trois méthodes suivantes pour réinitialiser le système:

1. Pour réinitialiser la boîte d'allumage lorsqu'elle a été verrouillée, coupez l'alimentation électrique et retirez les piles (s'il y a lieu) du récepteur.
2. Pour réinitialiser le tableau DFC lorsque celui-ci se trouve en mode verrouillé et que la DEL se clignote trois fois à l'aide du bouton **marche/arrêt** de l'émetteur:

Étape 1: Éteignez le système en appuyant sur le bouton **marche/arrêt**.

Étape 2: Après environ 2 secondes, appuyez de nouveau sur le bouton **marche/arrêt** de la télécommande. Le tableau se réinitialisera et la séquence d'allumage s'enclenchera de nouveau.

3. Pour réinitialiser le tableau lorsque celui-ci se trouve en mode verrouillé et que la DEL clignote trois fois à l'aide du cycle de flamme:

Étape 1: En mode de contrôle manuel de la flamme, utilisez la flèche vers le bas pour éteindre la flamme, une situation indiquée par le mot « **off** » affiché à l'écran de la télécommande.

Étape 2: Attendez environ 2 secondes et appuyez sur la flèche vers le haut; la séquence d'allumage se déclenchera.

note:

En position « **off** », appuyez sur le bouton « **on** » de la télécommande. Environ 4 secondes après que le bouton « **on/off** » ait été enfoncé, le tableau d'allumage commencera à produire des étincelles. Au premier essai, le tableau d'allumage formera des étincelles pendant 60 secondes. S'il n'y a pas de correction de flamme, le tableau cessera de former des étincelles et le tableau se verrouillera.

Les produits **Napoléon** sont fabriqués conformément aux normes strictes du Système de Gestion de la Qualité mondialement reconnu ISO 9001 : 2015.

Les produits **Napoléon** sont conçus avec des composants et des matériaux de qualité supérieure, assemblés par des artisans qualifiés qui sont fiers de leur travail. Le brûleur et le montage de la soupape subissent un test de détection de fuite et d'allumage à une station de test de qualité. Une fois assemblé, chaque appareil est soigneusement inspecté par un technicien qualifié avant d'être emballé pour garantie que vous, le client, recevez le produit de qualité dont vous vous attendez de **Napoléon**.

Garantie à Vie Limité du Président des Appareils au Gaz Napoléon

Les matériaux suivants et la fabrication de votre nouveau appareil au gaz **Napoléon** sont garantis contre les défauts tant que vous en êtes le propriétaire. Ceci couvre: la chambre de combustion, l'échangeur de chaleur, le brûleur en acier / inoxydable, les bûches Phazer™ et les braises, les roches, la vitre en céramique (cassure thermique seulement), les pièces plaquées ou contre le ternissement, les composants en porcelaine émaillée et les mouleurs d'extrusion en aluminium.*

Les composants électriques (110V et millivolt) et les pièces soumises à l'usure sont couverts et **Napoléon** fournira gratuitement les pices de rechange durant la première année de la garantie limitée. Ceci couvre: la soufflerie, les soupapes de gaz, l'interrupteur thermique, les interrupteurs, l'installation électrique, les télécommandes, l'allumeur, les joints d'étanchéité et l'assemblage de la veilleuse.*

Les coûts de main-d'oeuvre relatifs aux réparations garanties sont couverts gratuitement durant la première année. (Les coûts de main-d'oeuvre n'est pas disponible pour l'ensemble de bûches à gaz). Cepedenant, les travaux de réparation nécessitent l'approbation préalable d'un représentant autorisé de la compagnie. Les coûts de main-d'oeuvre à la charge de **Napoléon** sont basés sur un programme de tarifs prédéterminé et tout travail de réparation doit être accompli par l'entremise d'un représentant autorisé **Napoléon**.

* La fabrication de chaque modèle varie. La garantie s'applique uniquement aux composants disponibles avec votre appareil.

Conditions et Limitations

Napoléon garantit ses produits contre les défauts de fabrication à l'acheteur d'origine seulement. L'enregistrement de la garantie n'est pas nécessaire. Fournissez simplement une preuve d'achat ainsi que la modèle et le numéro de série afin d'effectuer une réclamation de garantie.

Napoléon se réserve le droit de demander à son représentant d'inspecter tous produits ou pièces avant d'honorer toute réclamation. L'achat doit avoir été fait par l'entremise d'un détaillant **Napoléon** autorisé et sous réserve des conditions et limitations suivantes:

La couverture de la garantie débute à partir de la date d'installation originale. Cette garantie du fabricant n'est pas transférable et ne peut être prolongée par aucun de nos représentants. L'appareil au gaz doit être installé par un installateur autorisée qualifié, une agence de service ou fournisseur. L'installation doit être faite conformément aux instructions d'installation incluses avec le produit et à tous les codes d'incendie et de construction locaux et nationaux. Cette garantie limitée ne couvre pas les dommages causés par un mauvais usage, un manque d'entretien, un accident, des altérations, des abus ou de la négligence et l'installation de pièces d'autres fabricants annulera cette garantie. Cette garantie limitée ne couvre pas non plus les égratignures, les bossellements, la corrosion ou la décoloration causés par une chaleur excessive, des produits d'entretien chimiques et abrasifs ou l'écaillage des pièces en porcelaine émaillée, le bris par manipulation des bûches PHAZER™ et des braises.

Cette garantie s'étend à la réparation ou au remplacement des pièces garanties dont les matériaux ou la fabrication sont défectueux à la condition que le produit ait été utilisé conformément aux instructions de fonctionnement et dans des conditions normales. Après la première année, concernant cette Garantie à Vie Limitée du Président, **Napoléon** peut, à sa discrétion, se libérer entièrement de toutes obligations en ce qui concerne cette garantie en remboursant à l'acheteur d'origine le prix de gros de toute pièce garantie qui est défectueuse.

Après la première année, **Napoléon** ne sera pas responsable de l'installation, de la main-d'oeuvre ou autres dépenses relatives à la réinstallation d'une pièce garantie et de telles dépenses ne sont pas couvertes par cette garantie.

Nonobstant toutes les dispositions contenues dans cette Garantie à Vie Limitée du Président, la responsabilité de **Napoléon** sous cette garantie est définie comme ci-dessus et elle ne s'appliquera à aucun dommage accidentel, consécutif ou indirect. Cette garantie définit l'obligation et la responsabilité de **Napoléon** en ce qui concerne l'appareil au gaz **Napoléon** et toute autre garantie énoncée ou implicite en ce qui concerne ce produit, ses composants ou accessoires est exclue.

Napoléon n'endosse ni n'autorise aucun tiers à assumer en son nom, toute autre responsabilité concernant la vente de ce produit.

Napoléon ne sera pas responsable d'une surchauffe, des refoulements, des déversements causés par des conditions environnementales telles que des toits, des bâtiments, la proximité d'arbres, de collines, de montagnes, une ventilation ou des événements inadéquats, une configuration d'évacuation excessive, un apport d'air insuffisant ou des pressions négatives qui peuvent ou non être causés par des systèmes mécaniques tels que les ventilateurs d'évacuation, les fournaies, les sècheuses de linge, etc. Tout dommage causé à l'appareil, à la chambre de combustion, à l'échangeur de chaleur, aux garnitures plaquées ou autres composants par l'eau, les dommages causés par les intempéries, de longues périodes d'humidité, la condensation, des produits chimiques ou produits d'entretien nuisibles ne seront pas la responsabilité de **Napoléon**.

Durant les dix premières années, **Napoléon** remplacera ou réparera les pièces défectueuses qui sont couvertes par la garantie à vie limitée à sa discrétion gratuitement. Après les dix premières années, **Napoléon** fournira les pièces de rechange à 50% du prix de détail courant. Le fabricant peut exiger que les pièces défectueuses ou les produits soient retournés ou que des photos numériques soient fournies pour valider la réclamation. Les produits retournés doivent être expédiés port payé au fabricant pour une inspection en usine. Si un produit est déclaré défectueux, le fabricant le réparera ou le remplacera. Avant d'expédier votre appareil ou les pièces défectueuses, votre détaillant doit obtenir un numéro d'autorisation. Toute marchandise expédiée à notre usine sans autorisation sera refusée et retournée à l'expéditeur.

Les coûts d'expédition ne sont pas couverts par cette garantie.

Des frais de service supplémentaires peuvent être appliqués si vous cherchez à obtenir des services au titre de la garantie auprès d'un détaillant.

Les indemnités de main-d'oeuvre au titre de la garantie s'appliquent uniquement pour le remplacement d'une pièce garantie.

Les frais de déplacement, de tests de diagnostic, d'expédition et autres frais afférents ne sont pas couverts par cette garantie.

Toutes les spécifications et les conceptions sont sujettes à modifications sans préavis en raison des améliorations constantes apportées au produit. **Napoléon** est une marque de commerce déposée de Wolf Steel Ltée.

NAPOLÉON CÉLÈBRE PLUS DE 40 ANS D'EXISTENCE CONSACRÉS À LA CONCEPTION DE PRODUITS DE CONFORT



7200, Route Transcanadienne, Montréal, Québec H4T 1A3
24 Napoleon Road, Barrie, Ontario, Canada L4M 0G8
214 Bayview Drive, Barrie, Ontario, Canada L4N 4Y8
103 Miller Drive, Crittenden, Kentucky, USA 41030

Téléphone: 1-866-820-8686
napoleon.com