

Models:
CAK4A Chimney Air Kit



This chimney air kit has been tested and listed to the UL 127 Standard and the ULC S610 Standard for use on the Hearth & Home Technologies, inc. factory-built fireplaces by Underwriters Laboratories, Inc. If you need assistance during installation, please contact your local dealer or the Technical Services Department, Hearth & Home Technologies, Inc., 1/800-6841 or 1-888-427-3973.

Note: An arrow (➔) found in the text signifies change in content.

1. Description

You must first verify you have the correct kit for your HHT fireplace. Refer to your installation instructions/owner's manual for the correct chimney air kit (CAK) to be used. The CAK4A includes a chimney air box assembly, an outside air inlet vent hood with stucco flange, two wire ties and a hardware package. See Figure 1.

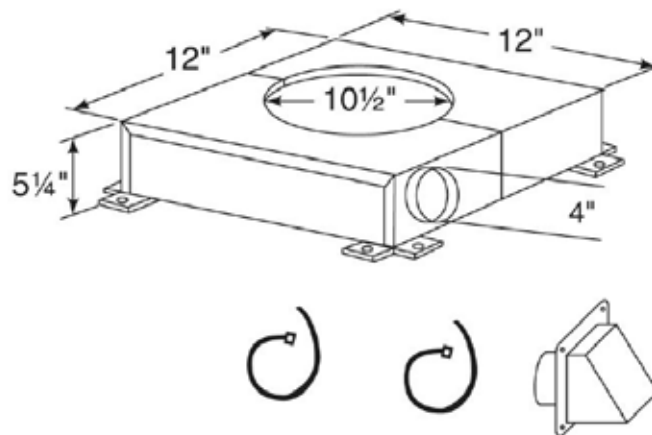


Figure 1 CAK4A - Chimney Air Kit

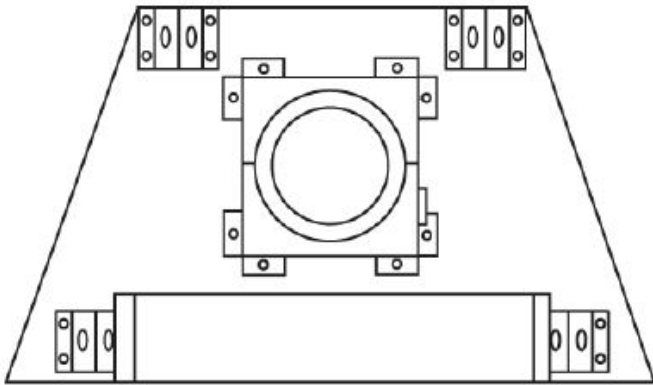


Figure 2 CAK4A - On Top of Fireplace

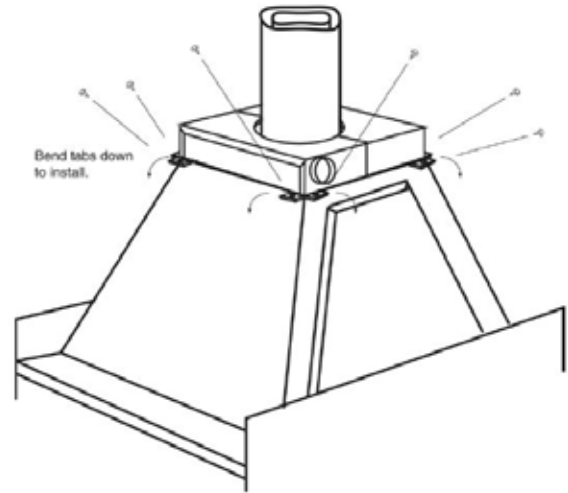


Figure 3 CAK4A - On top of See-Through Fireplace

2. Installation

- Once the chimney pipe is installed, place the box on top of the fireplace around the chimney pipe and attach the two halves of the CAK together. See Figures 2 and 3. Installation on a see-through fireplace will require bending the tabs down to match the angle of the top pan/smoke shield. See Figure 3.
- Use the pre-punched holes in the tabs as guides and drill 3/32" holes through the fireplace top.
- Secure the box with the screws provided.

3. Air Duct

- ▶ • Connect a 4" Class 1 or a Class 0 duct to the collar on the CAK by using one of the wire ties provided.
- Route the duct to an outside wall. The inlet vent hood must be installed no lower than six feet above the ground level so it will not be blocked by drifting snow, etc. If the CAK is installed in a chase, the inlet vent hood must be at least three feet below the chimney top.

4. Cut a hole through the outside wall for the installation of the duct inlet vent hood.

- A 4 3/4" diameter hole is sufficient.
- Feed the loose end of the duct through the hole. Attach it to the inlet vent hood with the wire tie provided.
- Push the vent hood into the hole and secure it in place.

5. Venting Restrictions

- ▶ • The duct must never be compressed or deformed! Reducing the cross sectional area of the duct will reduce the amount of air flow. When additional ducting is needed, use Class 1 or Class 0 metallic duct material to connect sections of the Class 1 or Class 0 duct referred to in Step 3.