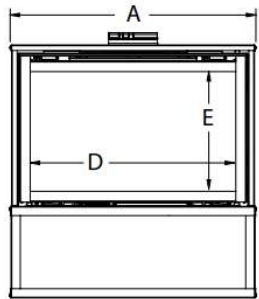


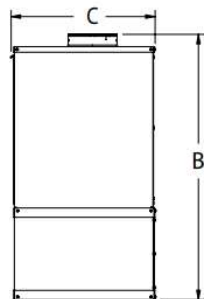
## Specifications

FRONT WIDTH (A)	HEIGHT (B)	DEPTH (C)	GLASS SIZE (D X E)	BTU/HOUR INPUT (NG)	CONVECTION BLOWER	VENTING
33" [838]	35-5/8" [905]	19-3/8" [492]	27-1/2" X 15-15/16" [699mm X 405mm]	32,700	160 CFM	VERTICAL TERMINATION ONLY

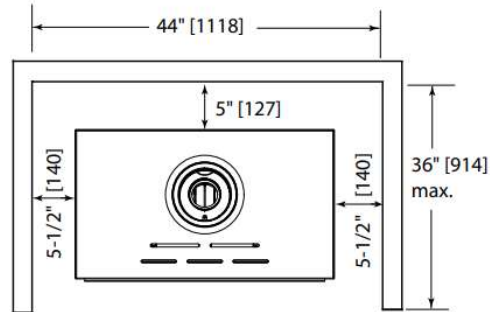
FRONT VIEW



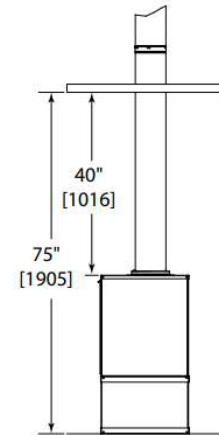
SIDE VIEW



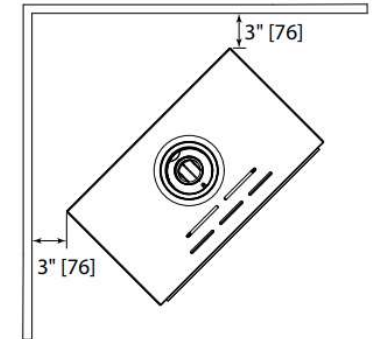
CLEARANCES - TOP VIEW



ALCOVE INSTALLATION



CORNER INSTALLATION



Dimensions above are in inches. Reference dimensions only. We recommend measuring individual units at installation.

NOTE: Combustible material should not be installed over the face of product. Majestic reserves the right to update units periodically.