

CK32, CK36

Models: QUARTZ32IN, QUARTZ32IL, QUARTZ36IN, QUARTZ36IL
QUARTZ32IFTN, QUARTZ32IFTL, QUARTZ36IFTN, QUARTZ36IFTL
Installation Instructions



Leave this manual with party responsible for use and operation.

DANGER



**HOT GLASS WILL
CAUSE BURNS.**

**DO NOT TOUCH GLASS
UNTIL COOLED.**

**NEVER ALLOW CHILDREN
TO TOUCH GLASS.**

A barrier designed to reduce the risk of burns from the hot viewing glass is provided with this appliance and must be installed for the protection of children and other at-risk individuals.

CAUTION! Do not install damaged components.

CAUTION! Risk of Cuts, Abrasions or Flying Debris. Wear protective gloves and safety glasses during installation. Sheet metal edges are sharp.

WARNING! Choking Hazard! Keep media and stones out of reach of children.

TOOLS

Screw gun equipped with 1/4 in. socket or
1/4 in. wrench or socket

KIT COMPONENTS

- (1) Contemporary Burner
- (1) Exhaust Baffle
- (1) Extended Glass Baffle
- (1) 2-1/4 lb. bag Onyx Glass Media
- (1) 2-1/4 lb. bag Diamond Glass Media
- (1) Ceramic Stones (Bag)
- (1) Ceramic Stone Jig
- (1) Glass Media Jig
- (1) Propane Orifice (QUARTZ32IL, QUARTZ36IL Only)
- (1) Appended Propane BTU Rating Plate
- (2) 1/2 Inch Self-Tapping Screws

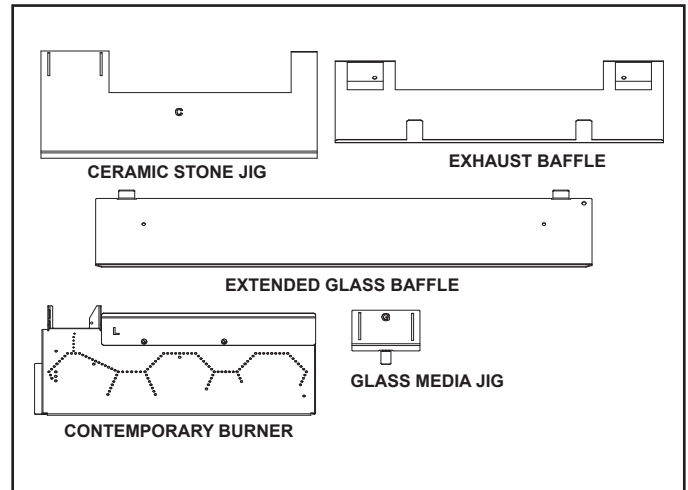


Figure 1. Contemporary Kit Metal Components

Preparation

Remove decorative front, glass assembly and logs, if previously installed.

Installation Instructions

1. Remove base pan from the appliance by removing the two screws that secure the base pan to the burner top. Retain screws. See Figure 2.

CAUTION! Risk of Burns! The fireplace should be turned off and cooled before contemporary kit is installed.

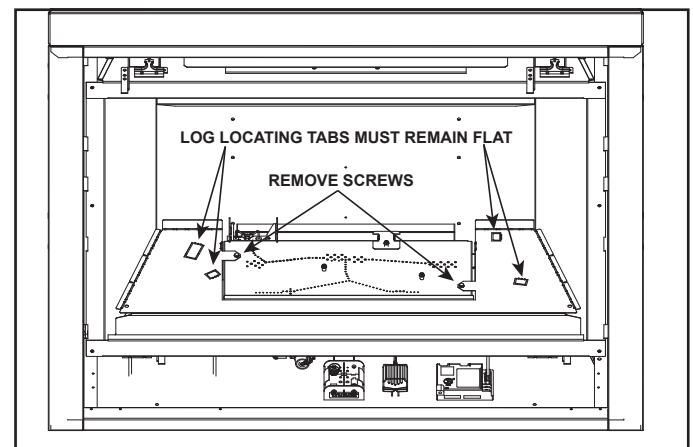


Figure 2. Remove Base Pan

Note: The CK32/CK36 media kit may be used with the optional glass kit (GLQUARTZ32/GLQUARTZ36), which also includes an extended glass baffle and an exhaust baffle. Install only one new extended glass baffle and one new exhaust baffle. The two extra baffles should be discarded.

- Remove the existing burner assembly by removing the one screw that secures the pilot assembly to the burner assembly and two screws that secure the burner assembly to the valve plate. Retain screws.

Propane Appliances:

- For Propane appliances, an orifice derate is required. Replace the factory-installed orifice with the orifice in the kit.

QUARTZ32 = #56

QUARTZ36 = #55

Place the appended rating plate in the valve cavity adjacent to the existing rating plate.

- Locate the contemporary burner that was included in the kit. Install by reattaching the burner to the valve plate with two screws and securing the pilot assembly to the burner assembly with one screw.
- Adjust the primary air shutter to full open for both Natural Gas and Propane. For extended vertical vent configuration, the shutter may be adjusted to a more “closed” position. See Step 16 for more information regarding primary air shutter adjustment.
- Locate the existing base pan, which was removed in Step 1, and bend the hand bend features “up” as shown in Figure 3.

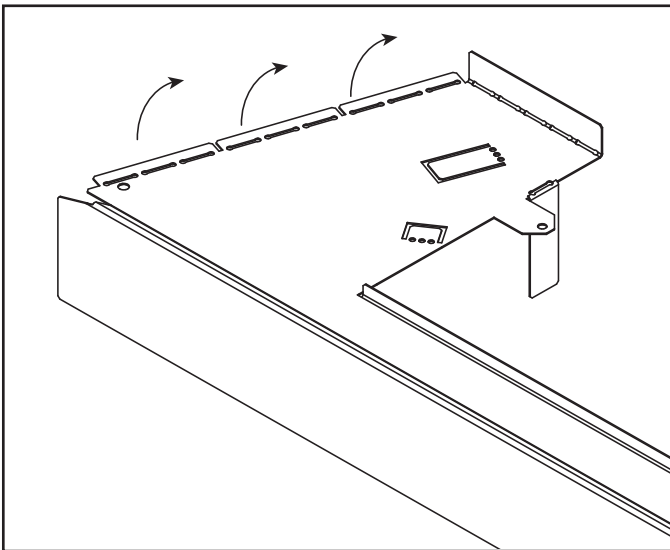


Figure 3. Bend Base Pan Tabs Up 90 Degrees (Both Sides)

- Reinstall base pan into firebox and secure it to the burner top with two screws. Ensure that the log location tabs are flat.

Note: The exhaust baffle and extended glass baffle are not required to be replaced if using SLP-FLEX7 series (7 inch flexible) venting.

- Replace existing exhaust baffle by removing two wing nuts. See Figure 4. Retain wing nuts. Attach the new exhaust baffle with the two wing nuts.

- Install the extended glass baffle, included in the kit, by centering the component over the existing factory-installed glass baffle. Slide it up between the existing glass baffle and top firebox lip until it contacts the firebox top. Secure the extended baffle with two self-tapping screws. See Figure 5.



Figure 4. Remove Factory-Installed Glass Baffle

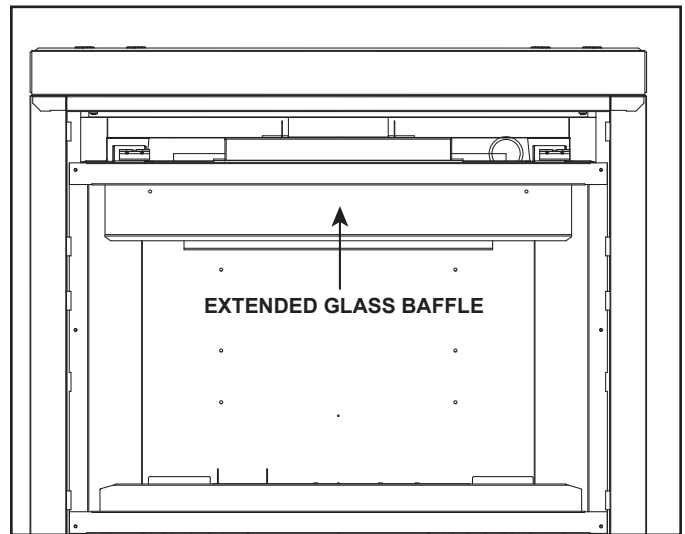


Figure 5. Extended Glass Baffle

Install Glass and Stone Media

10. Place the pilot assembly media jig around the pilot assembly. This rock jig will prevent glass media from being installed directly over the pilot assembly. See Figure 6.

WARNING! Risk of Explosion! DO NOT place media on pilot assembly. Delayed ignition could occur. Use media jig for proper media placement.

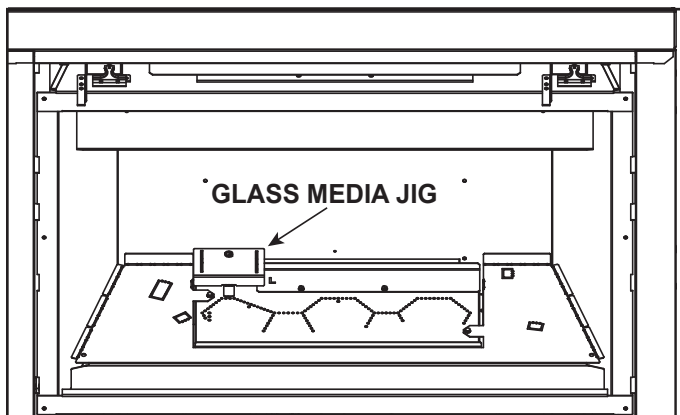


Figure 6. Glass Media Jig Location

11. The Quartz models are designed to use two 2-1/4 pound bags of glass media. Place about 2/3 of the media around the perimeter of the burner as shown in Figure 7. Install the remaining 1/3 of the glass media over the burner surface as shown in Figure 8. The media should be spread evenly over the burner to help ensure optimal flame appearance. Do not remove the glass media jig.

⚠ WARNING	
	Risk of Asphyxiation or Fumes.
	<ul style="list-style-type: none">• Place media according to instructions.• Do NOT place media in area between glass and firebox.• Do NOT place media in a position that they may fall into area between glass and firebox.• Do NOT use any media other than the media supplied with this fireplace.
	Fireplace will not function properly. Gas leak may occur.

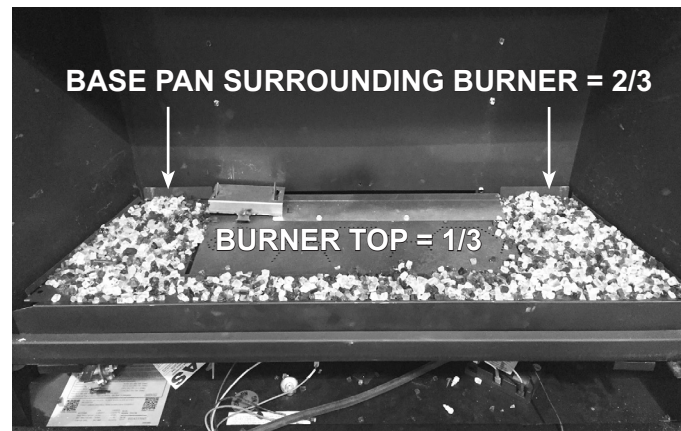


Figure 7. Glass Media 2/3 Installed on Base Pan

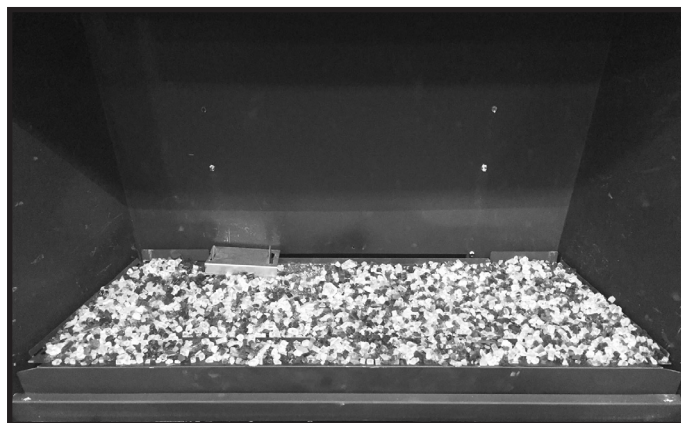


Figure 8. Glass Media Installed

⚠ WARNING	
	Delayed Ignition Risk
	<ul style="list-style-type: none">• Place media according to instructions.• Do NOT place media in a position that they may fall into area in front of pilot.• Do NOT use any media other than the media supplied with this fireplace.• Do NOT exceed one layer of media on base pan.
	Fireplace will not function properly. Delayed ignition may occur.

12. Install the ceramic stone jig over the glass media jig and back right lip of the burner assembly as shown in Figure 9.



Figure 9. Ceramic Stone Jig Installed

13. Randomly place the stones around the outside of the ceramic stone jig. See Figure 10.



Figure 10. Placement of Ceramic Stones

14. Remove the ceramic stone jig and the glass media jig by lifting them up. See Figure 11.

15. Reinstall glass assembly and decorative front.
16. Verify the visual appearance of the flame. The flames will start out blue and gradually turn yellow. After 30 minutes, the flames should be mostly yellow. If flames remain too blue, adjust the primary shutter accordingly.

Note: A tall, deep orange flame should be avoided; this type of flame may cause increased soot residue. If you notice tall, deep orange flames, open the primary air shutter.



Figure 11. Contemporary Kit Installed

Please contact your Majestic dealer with any questions or concerns.

For the location of your nearest Majestic dealer, please visit www.majesticproducts.com.

Majestic, a brand of Hearth & Home Technologies
7571 215th Street West, Lakeville, MN 55044
www.majesticproducts.com