

Corner End Panel

Models: COREP-36BK

Installation Instructions



Leave this manual with party responsible for use and operation.

CAUTION! Risk of Cuts, Abrasions or Flying Debris. Wear protective gloves and safety glasses during installation. Sheet metal edges are sharp.

DANGER



HOT GLASS WILL CAUSE BURNS.

DO NOT TOUCH GLASS UNTIL COOLED.

NEVER ALLOW CHILDREN TO TOUCH GLASS.

A barrier designed to reduce the risk of burns from the hot viewing glass is provided with this appliance and shall be installed for the protection of children and other at-risk individuals.

WARNING! Risk of Fire! Combustible materials **MUST NOT** overlap or be placed behind a decorative front.

CAUTION! Do not install damaged components.

PREPARATION

1. Remove end panel and decorative front components from packaging. The appropriate hood(s) for a left or right-sided corner application have been included with the end panel. See Figure 1.

Note: The end panel is shipped in either a right or left corner configuration. Determine if the configuration received is compatible with your application. To convert for use on an opposite corner model, follow the steps below:

2. Remove existing hood and corner post.
To install corner post, insert tabs into the slots on the opposite side of the decorative front.
3. Install the appropriate hood by inserting studs into the holes on the top of the decorative front and corner post. Attach nuts to secure the hood onto the decorative front. See Figure 1.

INSTALLATION

4. Install 4 shoulder bolts on each side of the appliance. See Figure 2. Shoulder bolts are supplied with the decorative front.

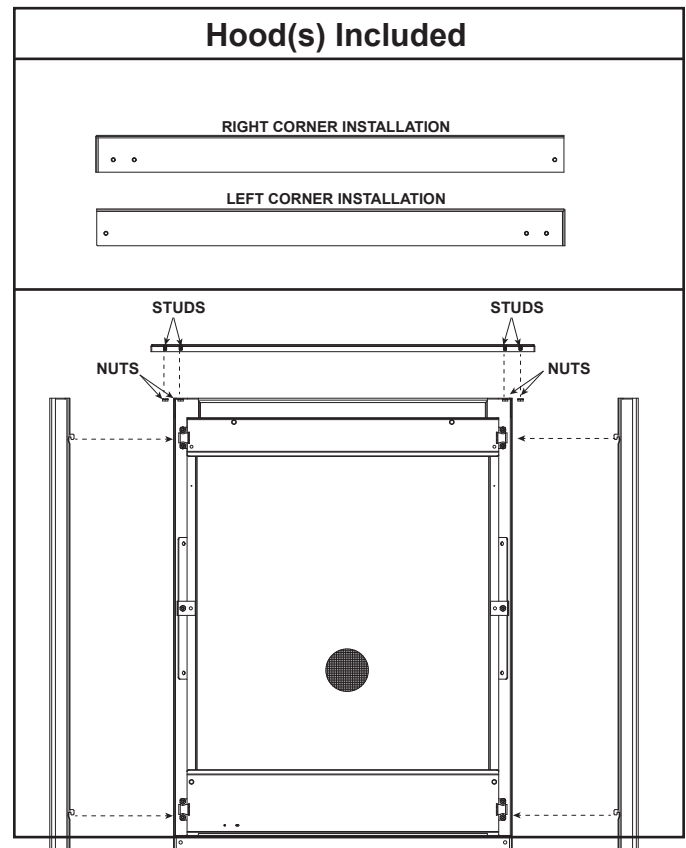


Figure 1. Install Corner Posts and Hood

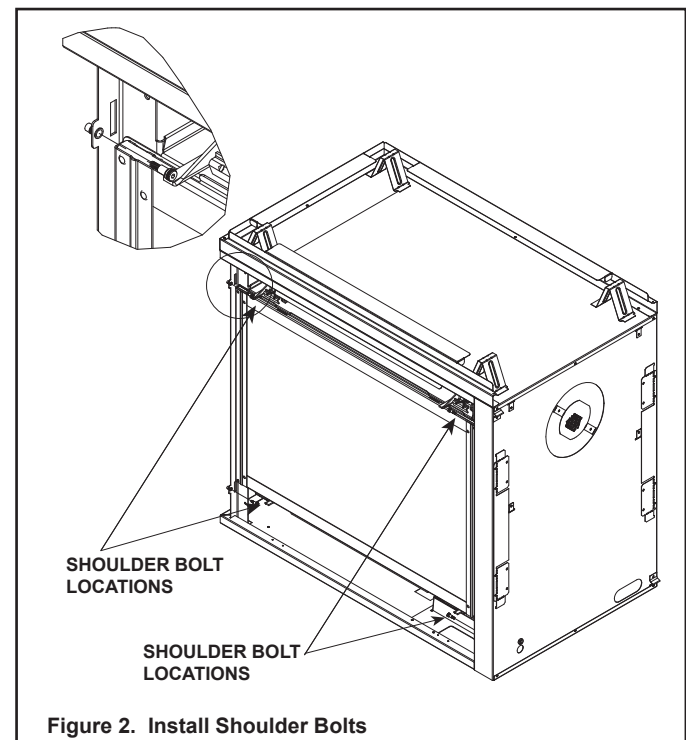


Figure 2. Install Shoulder Bolts

5. Install End panel onto appliance by carefully aligning J-hooks on back of end panel with slots in vertical end component of appliance. See Figure 3. End panel will drop into location with J-hook seated in slot.

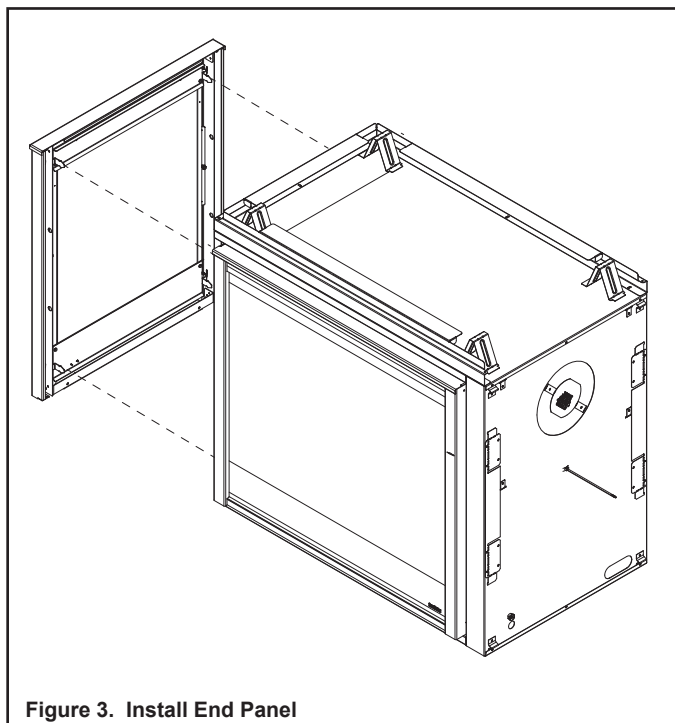


Figure 3. Install End Panel

6. Visually inspect J-Hook connection points to assure proper placement. See Figure 4.

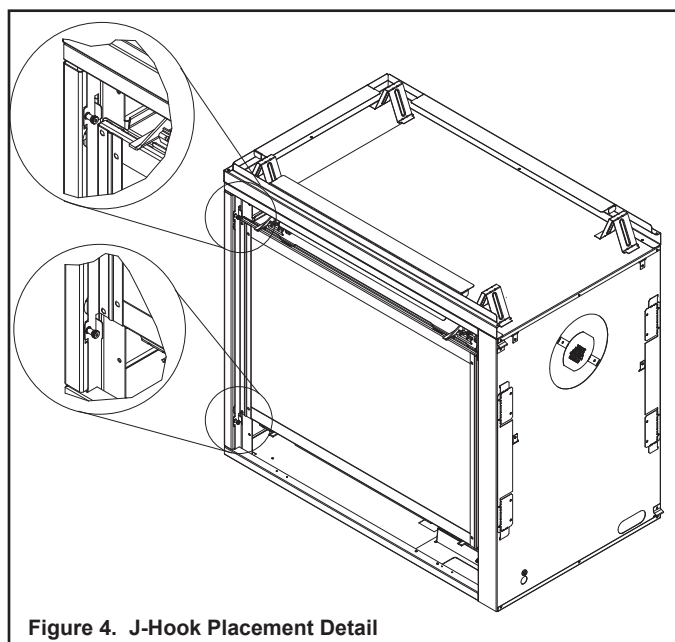


Figure 4. J-Hook Placement Detail

7. Install decorative front on each side of the appliance per instructions included with the decorative fronts. Pull gently on the decorative front and end panel to ensure that J-Hooks are seated properly and securely on shoulder bolts. See Figure 5 and Figure 6.

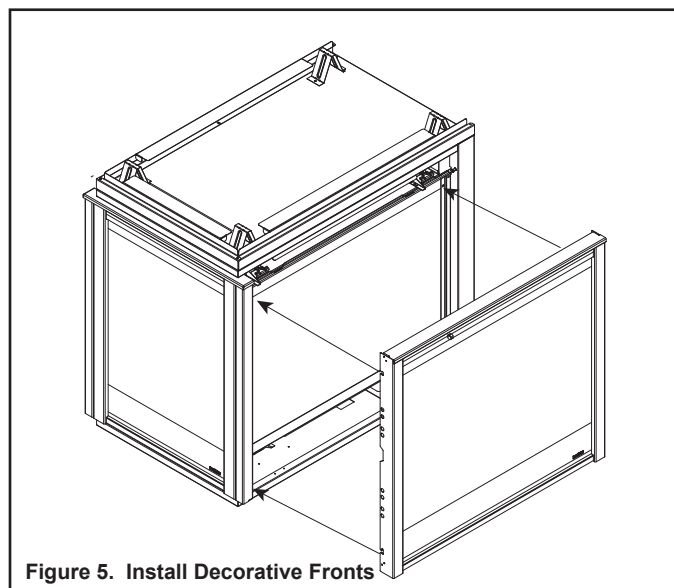


Figure 5. Install Decorative Fronts

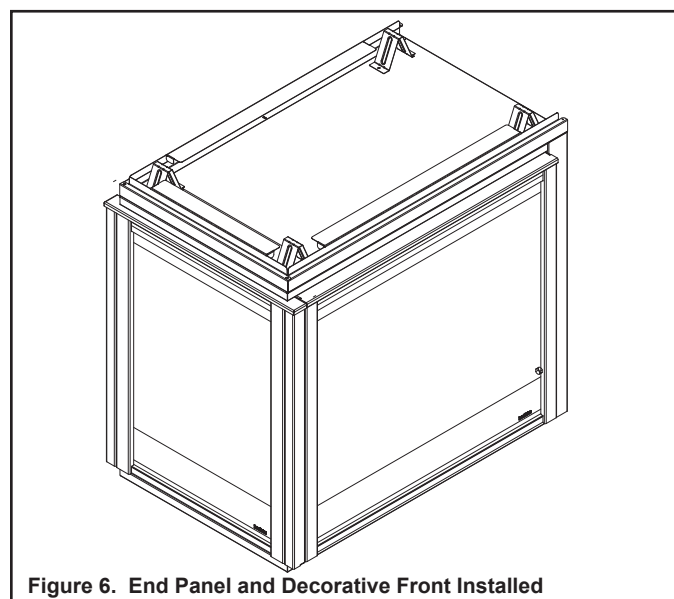


Figure 6. End Panel and Decorative Front Installed

Cleaning Instructions for End Panels and Decorative Fronts

Use a microfiber cloth and Windex® Original Glass Cleaner or 03M003 Stove Bright® Glass Cleaner to clean the end panel and decorative front immediately after installation to remove acids deposited by the installer or technician. Spray the cleaner onto the microfiber cloth and carefully wipe the entire surface. The end panel and decorative front should be cleaned in this manner annually by the homeowner to remove fingerprints or other contaminants. Once oxidation of the paint pigment has occurred, cleaning will not restore the original color.

Please contact your Hearth & Home Technologies dealer with any questions or concerns.

For the location of your nearest Hearth & Home Technologies dealer, please visit www.hearhhome.com.

Hearth & Home Technologies
7571 215th Street West, Lakeville, MN 55044
www.hearhhome.com