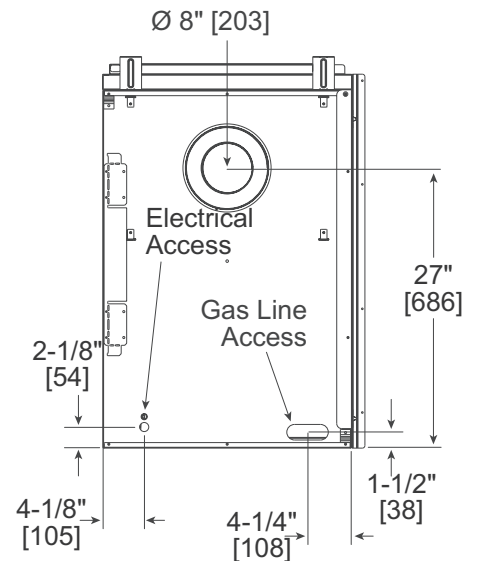
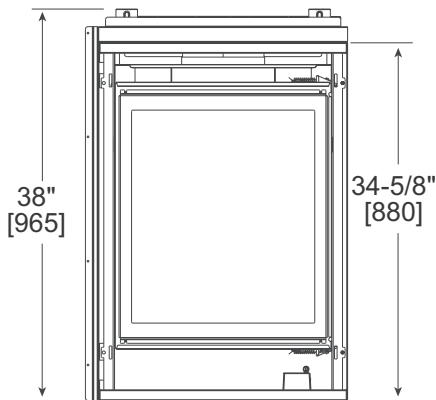
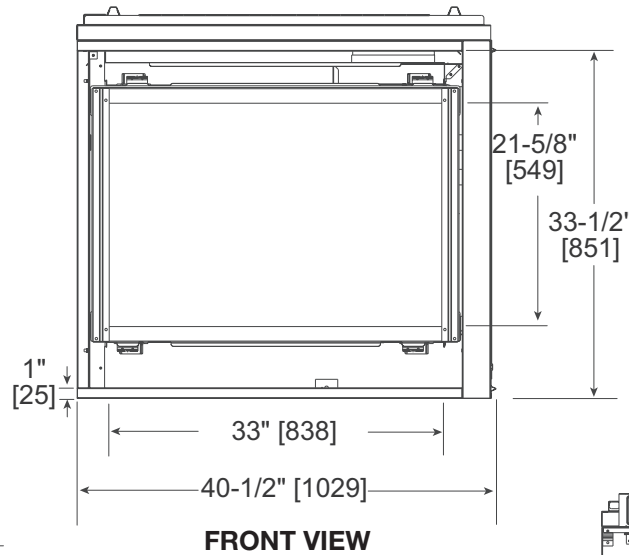
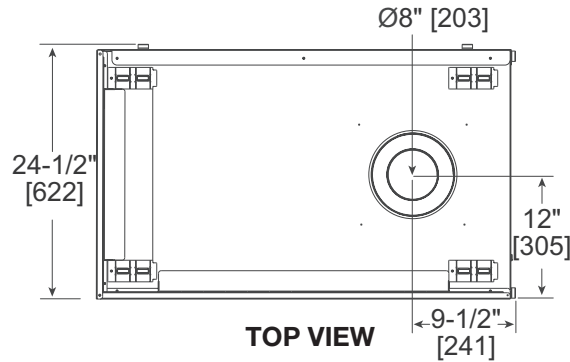


**MAJESTIC**

Please consult the manufacturer's installation manual for all details and requirements before making a final design layout decision.

**LEFT/RIGHT CORNER**  
Direct Vent Gas Fireplace

MODEL	HEIGHT		FRONT WIDTH		BACK WIDTH		DEPTH		GLASS SIZE
	ACTUAL	FRAMING	ACTUAL	FRAMING	ACTUAL	FRAMING	ACTUAL	FRAMING	
<b>LCOR-DV36</b> <b>RCOR-DV36</b> 38,000 BTU (NG) 35,500 BTU (LP)	38" (965 mm)	38-1/8" (968 mm)	40-1/2" (1029 mm)	40" (1016 mm)	40-1/2" (1029 mm)	40" (1016 mm)	24-1/2" (622 mm)	24" (610 mm)	33" x 21-5/8" [838 x 549]



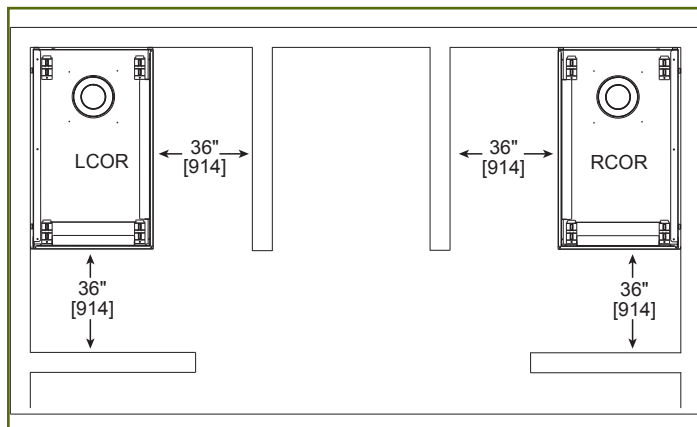
**VIEWABLE END**

**NON-VIEWABLE END**

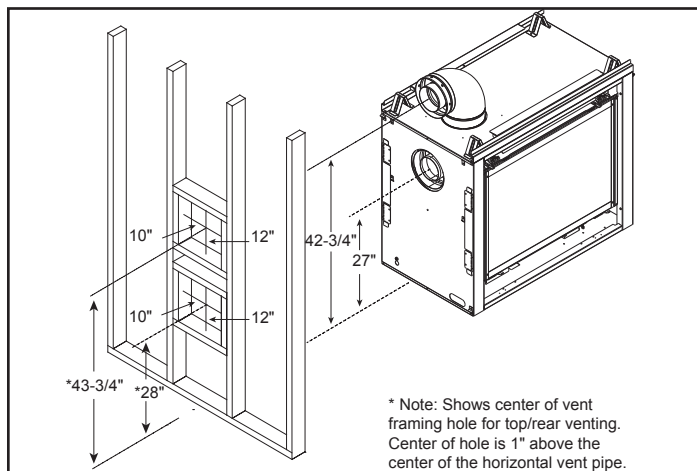
### MINIMUM FIREPLACE CLEARANCES

AREA	TO COMBUSTIBLES (in inches)
CLEARANCE TO CEILING	31-5/8
COMBUSTIBLE/NON-COMBUSTIBLE FLOOR	0
END OF APPLIANCE	0.5
SIDES OF APPLIANCE	36

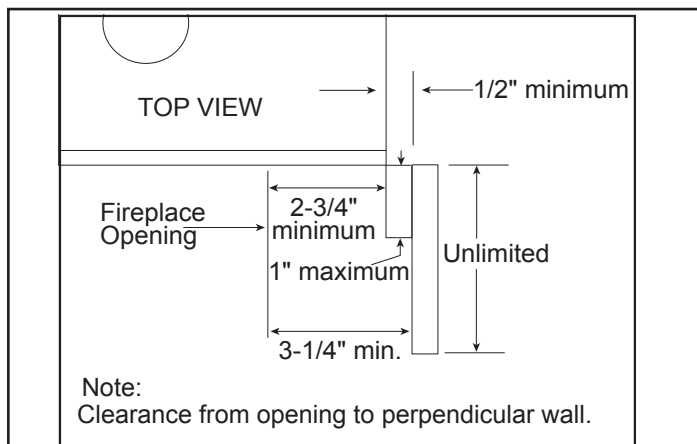
### FIREPLACE LOCATIONS



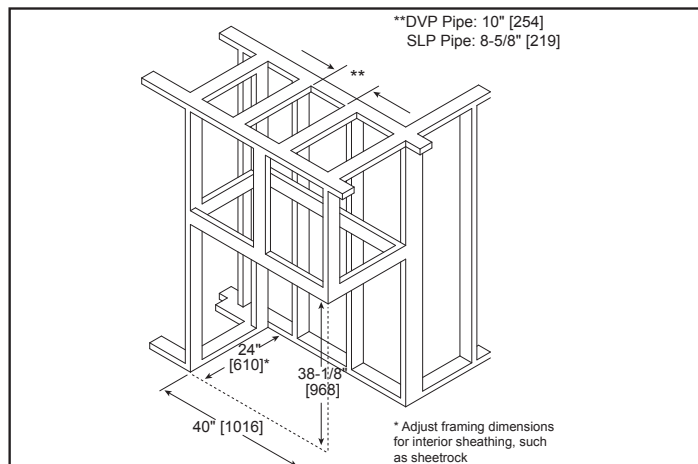
### WALL PENETRATION



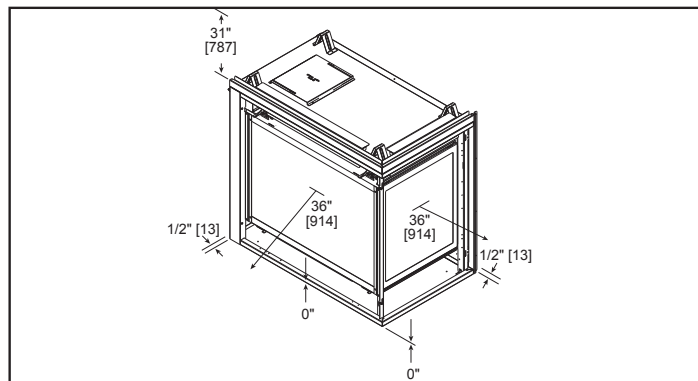
### MANTEL LEG/WALL PROJECTIONS



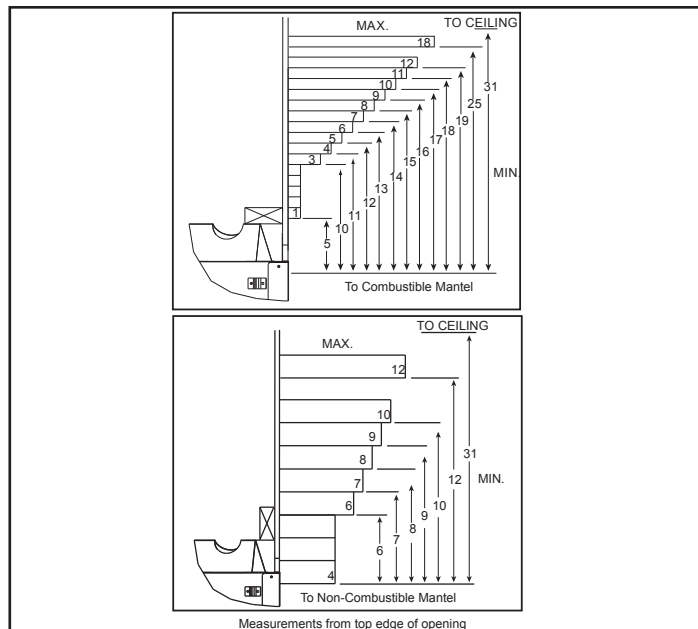
### FRAMING DIMENSIONS



### CLEARANCES TO COMBUSTIBLES



### MANTEL PROJECTIONS



PRODUCT LISTING CODES	
US	ANSI Z21.88-2016
CAN	CSA 2.33-2016

Product information provided is not complete and is subject to change without notice. Product installation must adhere strictly to instructions accompanying product to avoid risk of fire and potential injury.

