

**Models:**

**DM6036, DM6036-S**

**DM8042, DM8042-S**

**Glass Doors**




These bi-fold glass doors have been tested for use with specific Hearth & Home Technologies products. Check with your local building code agency before you begin installation to ensure compliance with local codes, including the need for permits and follow-up inspections. If you encounter any problems regarding code approvals, or if you need clarification of any of the instructions contained here, contact your Hearth & Home Technologies dealer. For the dealer nearest you, please visit [www.hearthnhome.com](http://www.hearthnhome.com).

**Note:** An arrow (➡) found in the text signifies change in content.

**CAUTION! Risk of Cuts/Abrasions.** Wear protective gloves and safety glasses during installation. Sheet metal edges are sharp.

**⚠ WARNING**



**HOT SURFACES!**

Screen/mesh, glass doors and other surfaces are hot during operation AND cool down.

**Hot screen/mesh and glass doors will cause burns.**

- Do not touch screen/mesh or glass doors until cooled
- NEVER allow children to touch screen/mesh or glass doors
- Keep children away
- CAREFULLY SUPERVISE children in same room as fireplace.
- Alert children and adults to hazards of high temperatures.

**High temperatures may ignite clothing or other flammable materials.**

- Keep clothing, furniture, draperies and other flammable materials away.



Figure 1 - Install the Door Track

- Starting with the left side going in first, slip the bottom door track along the front edge of the hearth refractory and line it up end to end. See Figures 1-2.
- Install the top door track behind the front face. Secure the track in place with one screw from fastener pack, in the center.
- On each end of the top door track, add a spring clip to each end and secure with 2 screws each (they are also adjustment screws), also from fastener pack See Figure 3. If door pin doesn't reach, it may be necessary to adjust angle on spring clip by pulling down on clip after install.



Figure 2 - Installed Door Track

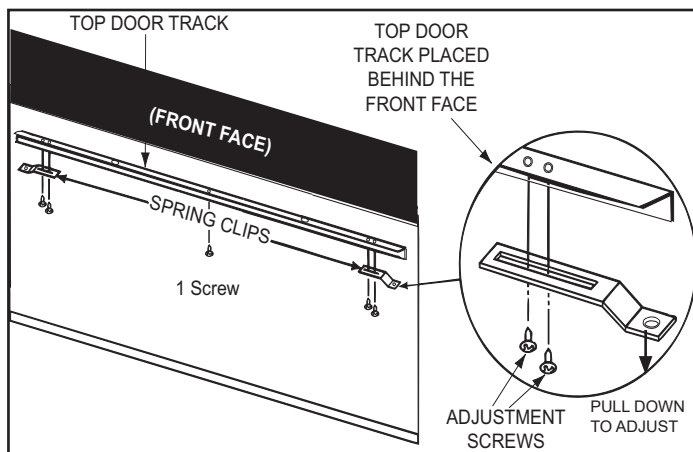


Figure 3 - Spring Clip Placement

- Install the Side Fillers
  - a. Push the screens to the center of the fireplace opening.
  - b. Slip the side filler in front of the side refractory with the notch to the bottom and the tabs to the front. See Figure 4.

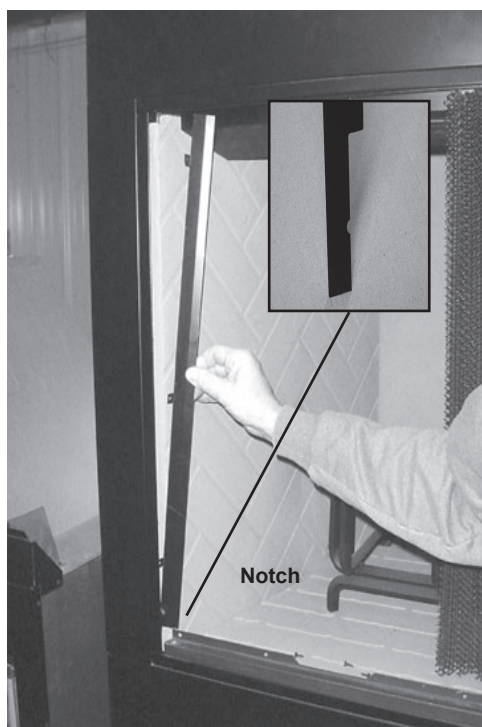


Figure 4 - Slide the Side Filler In

- c. Fasten the side filler to the corresponding holes in the column with the screws provided in 2nd fastener pack.

**Note:** If there are no holes in the side column, use the side filler as a template and drill holes in the column. Fasten filler to column.

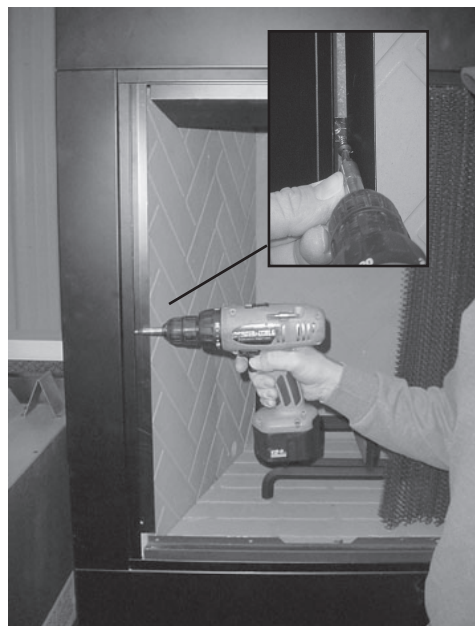


Figure 5 - Fastening the Side Filler

- d. Repeat for the other side.
- Fold up one door (handles at the bottom) and set the bottom pin into the hole in the bottom door track. See Figure 6.

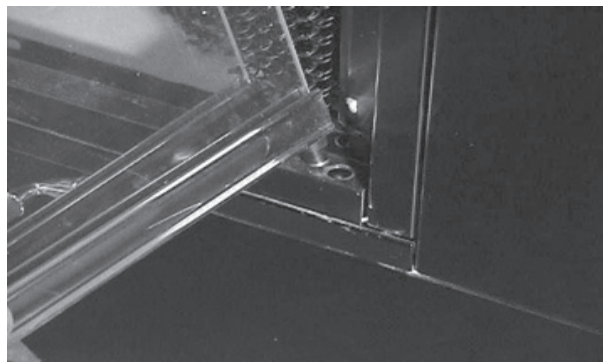


Figure 6 - Bottom Pin/Door Track

- Slide the top pins on the door into the top door track. Slide the door over until the pivot pin snaps into the spring clip. See Figure 7.

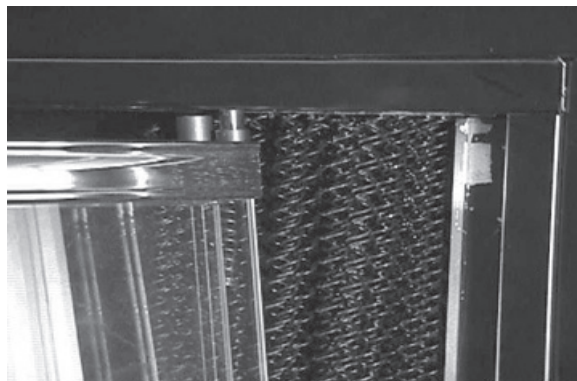


Figure 7 - Pivot Pins/Top Door Track

- Repeat Steps 6-7 for the other side.
- To adjust the door alignment, loosen the screws at the top spring clip, sliding doors in or out, then tightening the screws.