



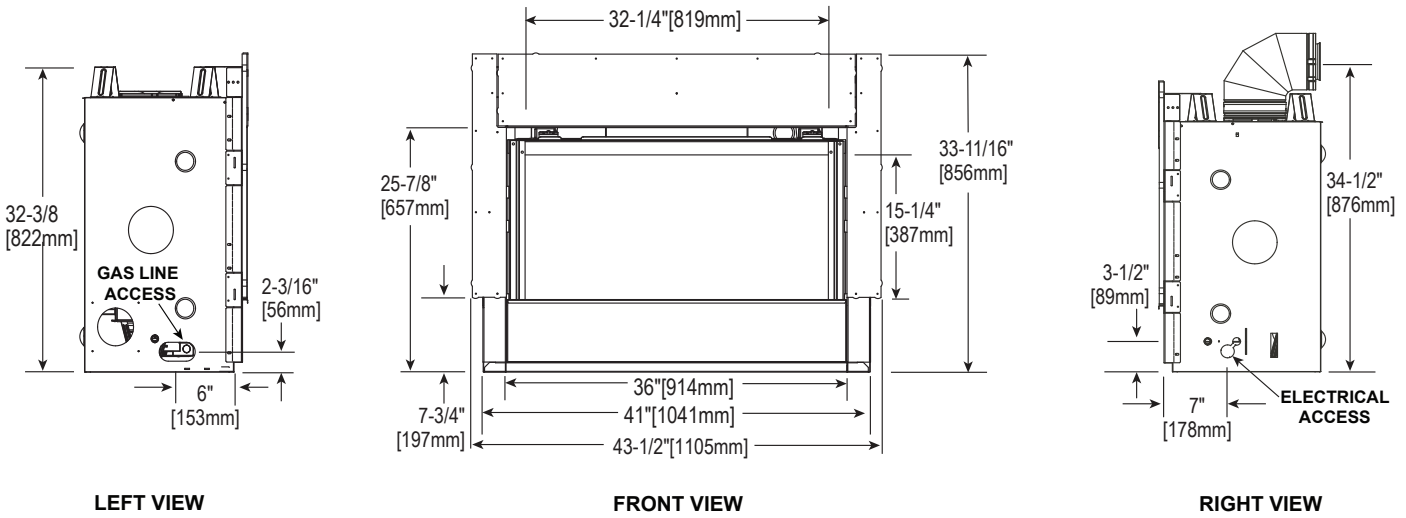
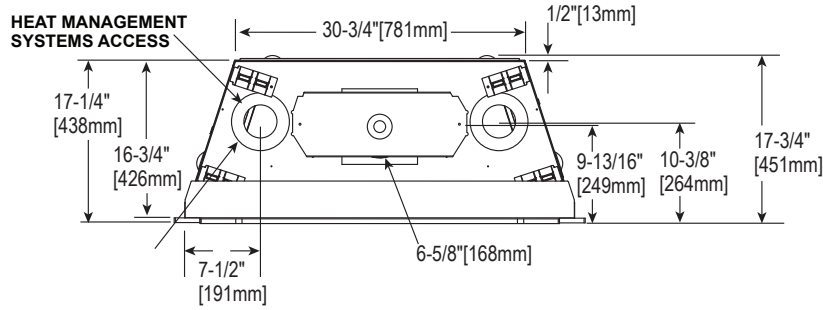
Please consult the manufacturer's installation manual for all details and requirements before making a final design layout decision.

DVLINEAR36

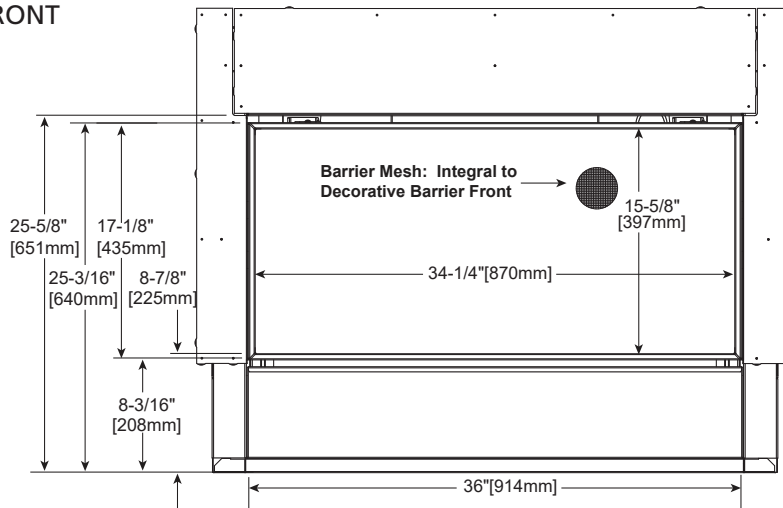
Direct Vent Gas Fireplace

| MODEL | FRONT WIDTH | | BACK WIDTH | | HEIGHT | | DEPTH | | GLASS SIZE |
|------------|---------------|---------------|------------------|---------------|--------------------|------------------|------------------|------------------|----------------------------------|
| | Actual | Framing | Actual | Framing | Actual | Framing | Actual | Framing | |
| DVLINEAR36 | 41" (1041) | 42" (1067) | 30-3/4" (781) | 42" (1067) | 33-11/16" (856) | 32-3/4" (832) | 17-3/4" (451) | 17-3/4" (451) | 32-1/4" x 15-1/4" (819 x 387) |

TOP VIEW

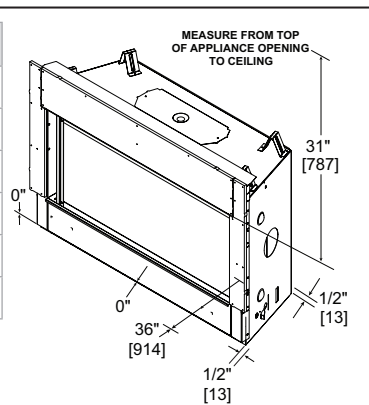


DECORATIVE FRONT

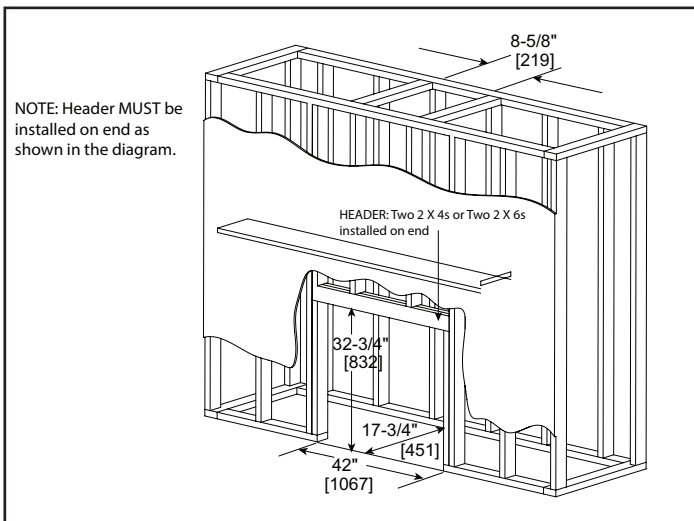


MINIMUM FIREPLACE CLEARANCES / CLEARANCES TO COMBUSTIBLES

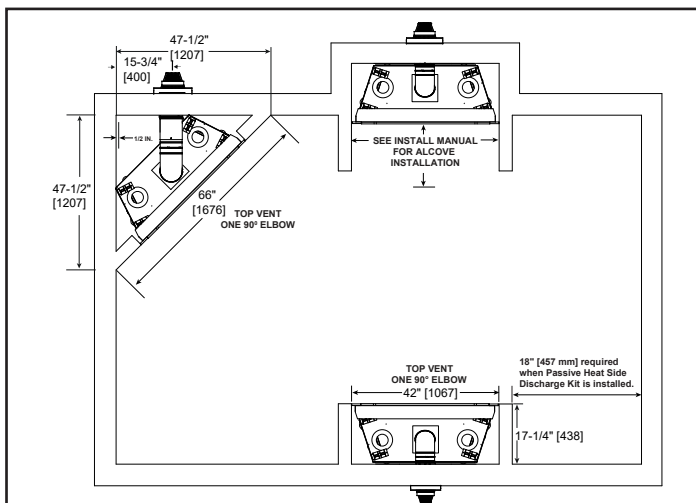
| AREA | TO COMBUSTIBLES |
|-----------------------|-----------------|
| CLEARANCE TO CEILING | 31" [787] |
| NON-COMBUSTIBLE FLOOR | 0" [0] |
| COMBUSTIBLE FLOORING | 0" [0] |
| BEHIND APPLIANCE | 1/2" [13] |
| SIDES OF APPLIANCE | 1/2" [13] |
| FRONT OF APPLIANCE | 36" [914] |



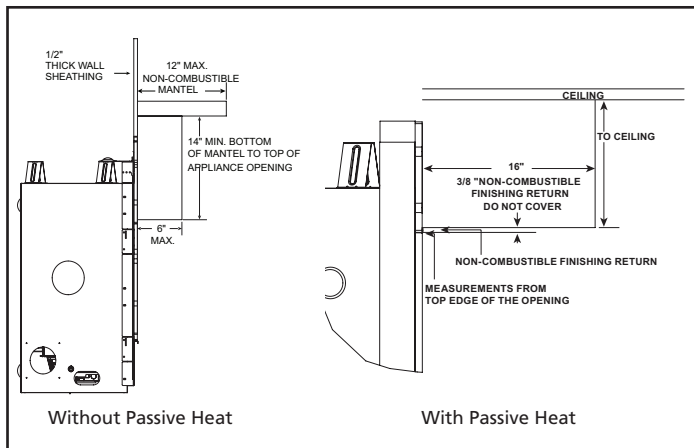
FRAMING DIMENSIONS



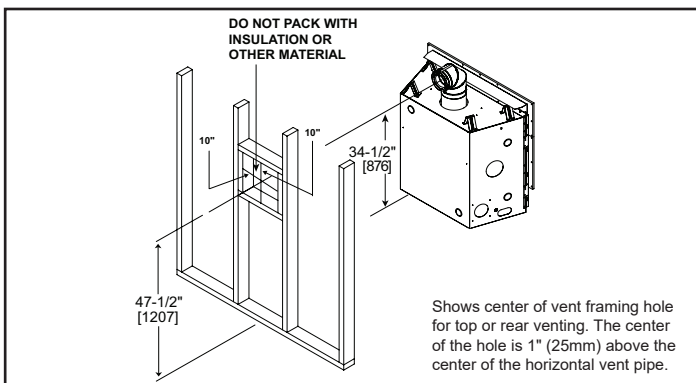
APPLIANCE LOCATION



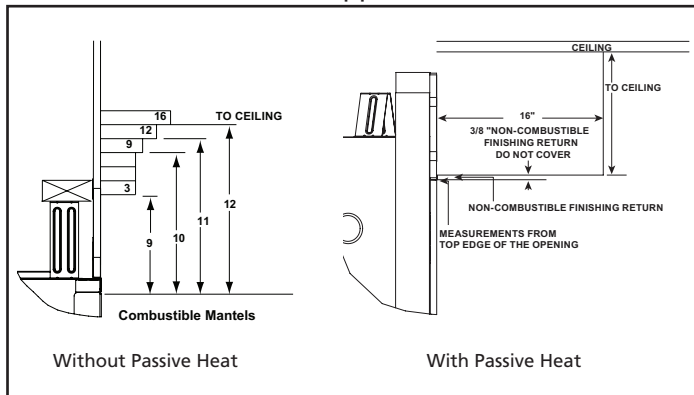
NON-COMBUSTIBLE MANTEL CLEARANCES (or other materials above appliance)



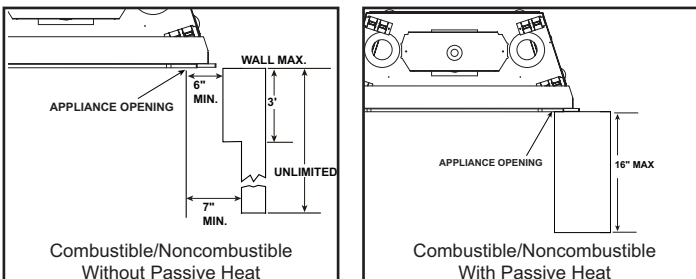
WALL PENETRATION



COMBUSTIBLE MANTEL CLEARANCES (or other materials above appliance)



MANTEL LEG/WALL PROJECTIONS



| PRODUCT LISTING CODES | |
|-----------------------|------------------|
| US | ANSI Z21.88-2017 |
| CAN | CSA 2.33-2017 |
| US LISTED | UL307B |

Product information provided is not complete and is subject to change without notice. Product installation must adhere strictly to instructions accompanying product to avoid risk of fire and potential injury.