

# MAJESTIC

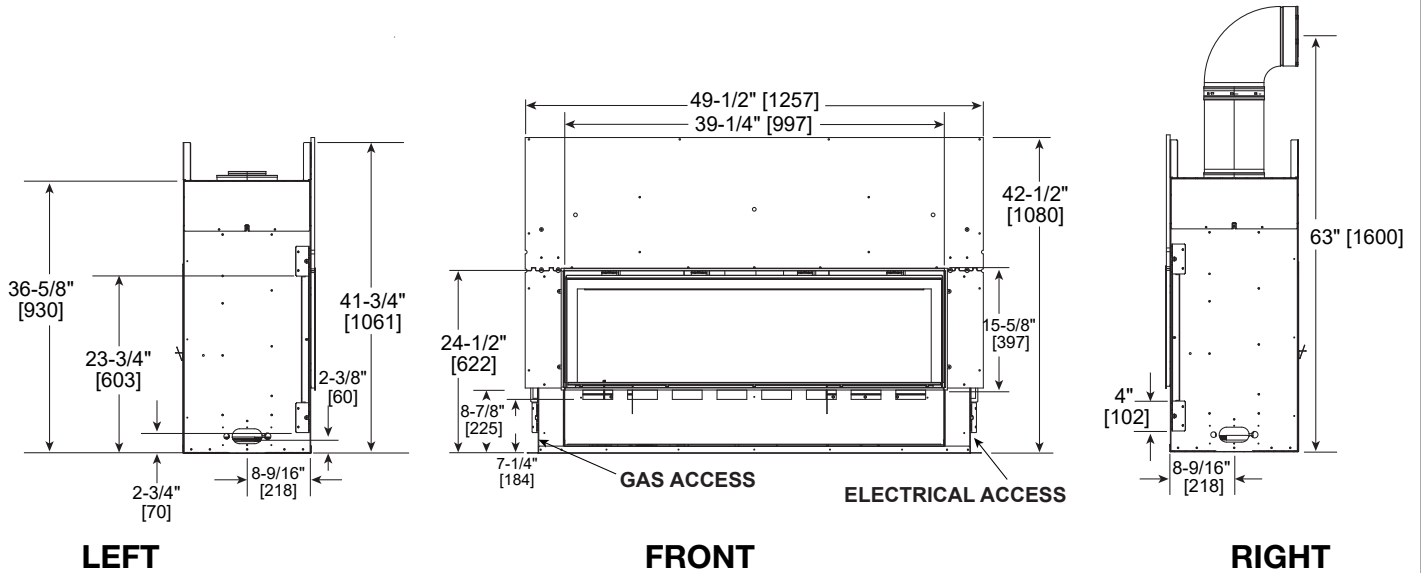
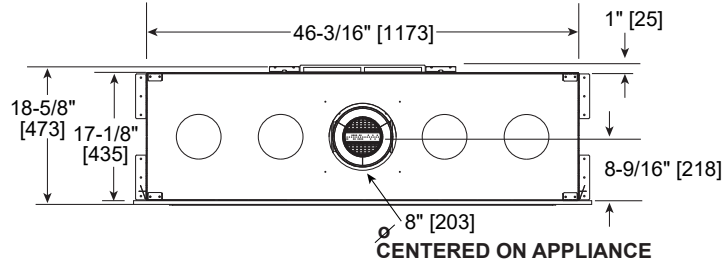
Please consult the manufacturer's installation manual for all details and requirements before making a final design layout decision.

# ECHELON II 36

Direct Vent Gas Fireplace

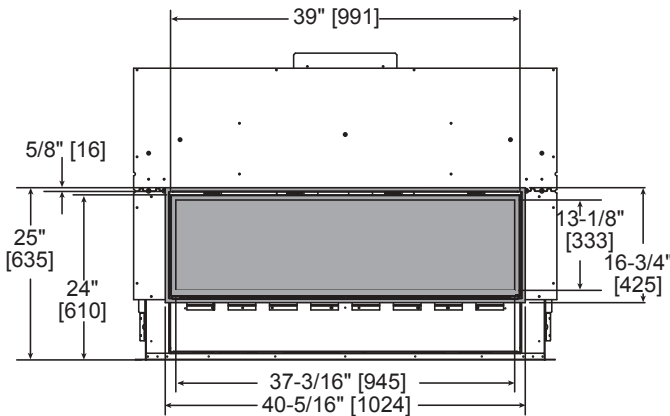
MODEL	FRONT WIDTH		BACK WIDTH		HEIGHT		DEPTH		GLASS SIZE
	ACTUAL	FRAMING	ACTUAL	FRAMING	ACTUAL	FRAMING	ACTUAL	FRAMING	
<b>ECHEL36</b> 30,000 BTU (NG) 27,000 BTU (LP)	46-3/16"	48-1/4"	46-3/16"	48-1/4"	41-3/4"	42"	17-1/8"	18-1/4"	35-1/2" x 12-1/2"

### TOP

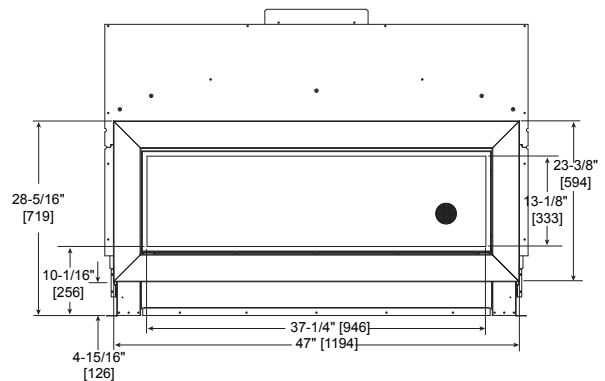


**BEFORE FRAMING, PLEASE NOTE:**

**A minimum of 18" of vertical venting is required before attaching any elbow to the appliance.**



**CFT FRONT**



**PFF FRONT**

The PFF decorative front has an installed depth of 3/4" [19mm], measured from the front of the non-combustible finishing material to the front of the decorative front.

