

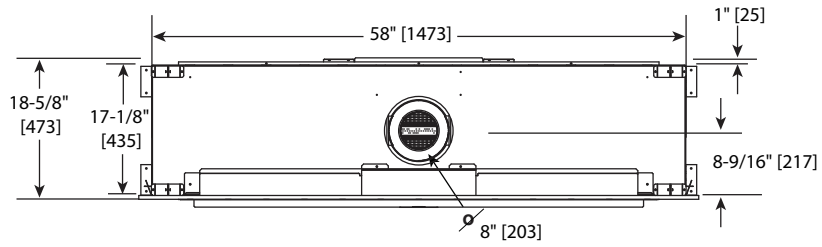


Please consult the manufacturer's installation manual for all details and requirements before making a final design layout decision.

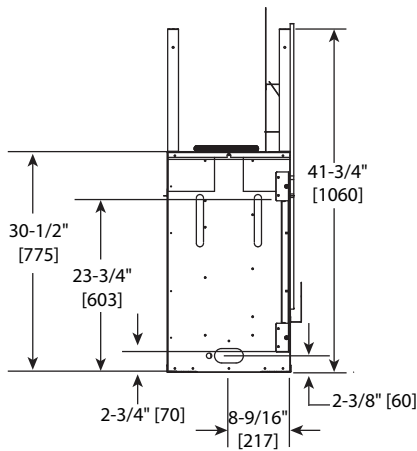
# ECHL48IN

48" Direct Vent Gas Fireplace

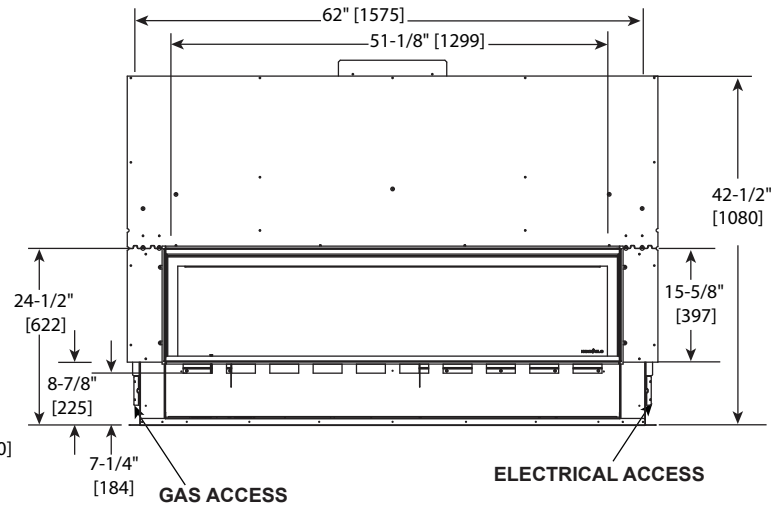
MODEL	FRONT WIDTH		BACK WIDTH		HEIGHT		DEPTH		GLASS SIZE
	Actual	Framing	Actual	Framing	Actual	Framing	Actual	Framing	
ECHL48IN	58"	60-1/4"	58"	60-1/4"	41-3/4"	42"	17-1/8"	18-1/4"	47-1/2" x 12-1/2"



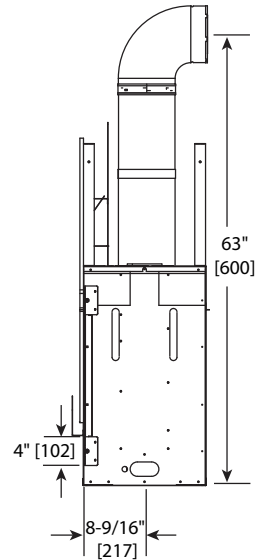
**Top** CENTERED ON APPLIANCE



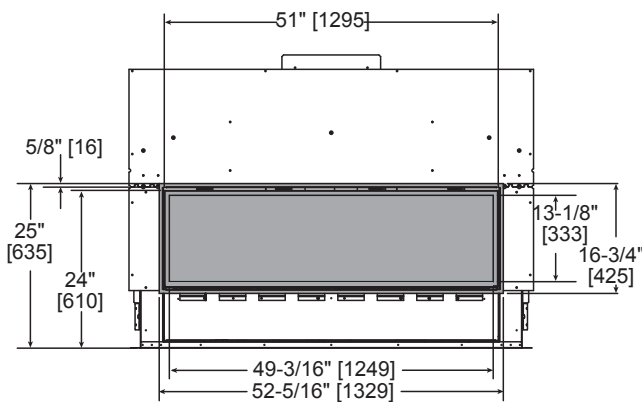
**Left**



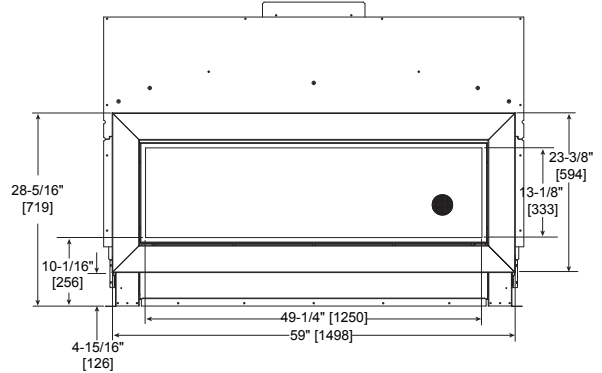
**Front**



**Right**



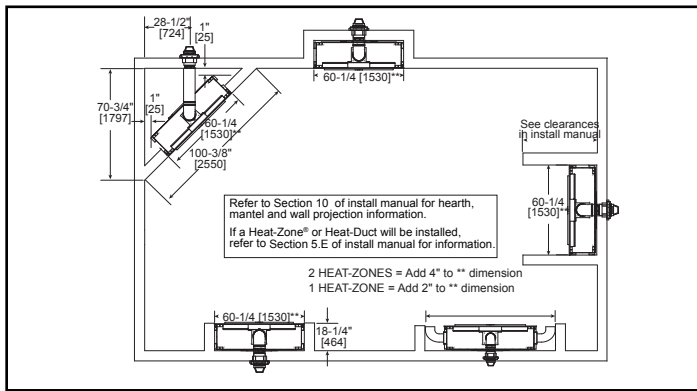
**CFT Front**



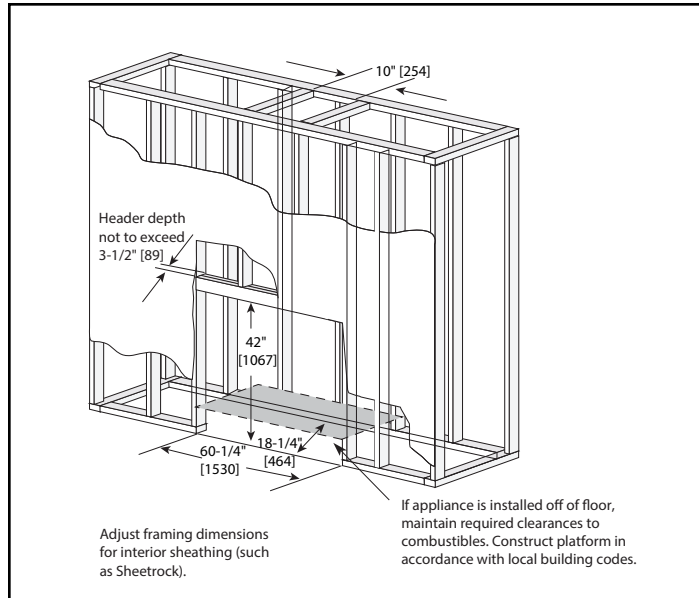
**PFF Front**

The PFF decorative front has an installed depth of 3/4" [19mm], measured from the front of the non-combustible finishing material to the front of the decorative front.

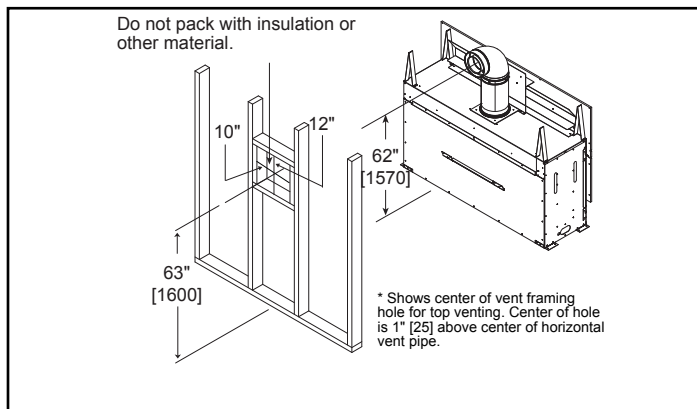
**APPLIANCE LOCATION**



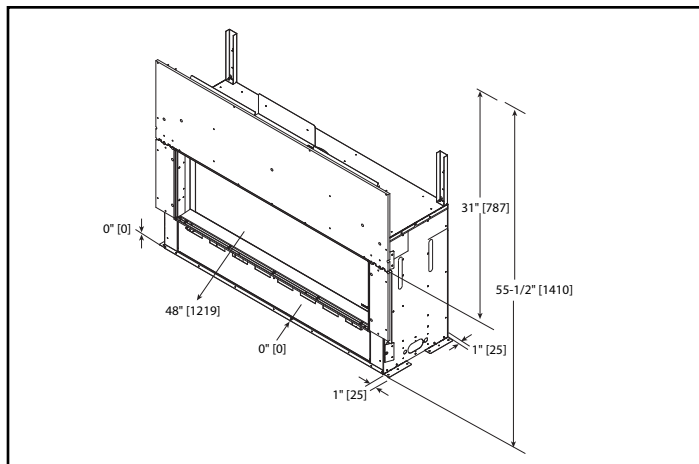
**FRAMING DIMENSION**



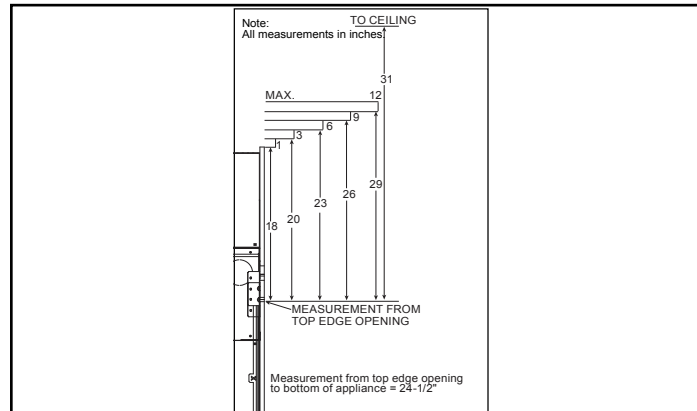
**WALL PENETRATION**



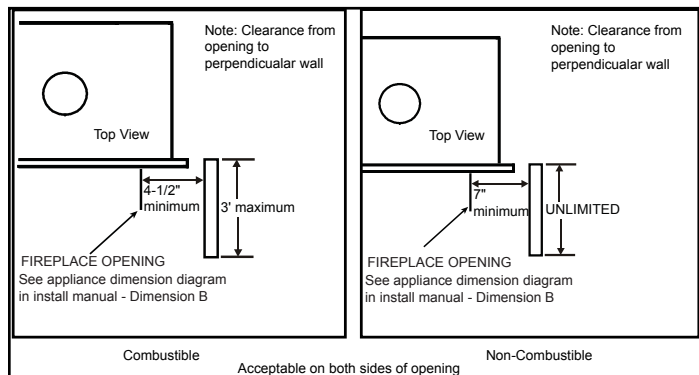
**CLEARANCES TO COMBUSTIBLES**



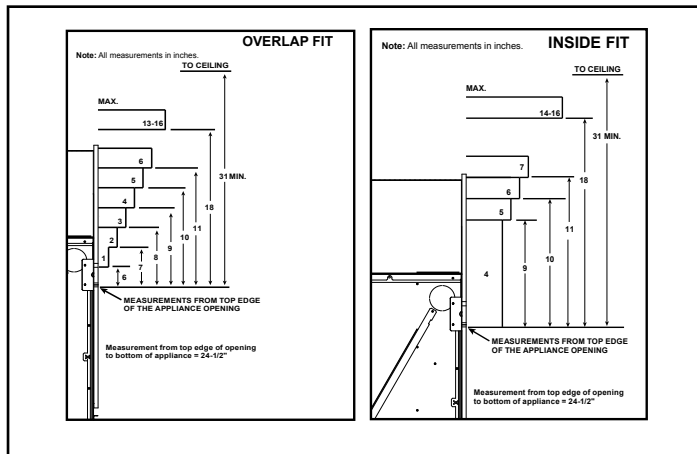
**MANTEL PROJECTIONS - COMBUSTIBLE**



**MANTEL LEG/WALL PROJECTIONS**



**MANTEL PROJECTIONS - NON-COMBUSTIBLE**



PRODUCT LISTING CODES	
US	ANSI Z21.88-2014
CAN	CSA 2.33-2014
	UL307B

Product information provided is not complete and is subject to change without notice. Product installation must adhere strictly to instructions accompanying product to avoid risk of fire and potential injury.

Additional information can be found online at [www.majesticproducts.com](http://www.majesticproducts.com)