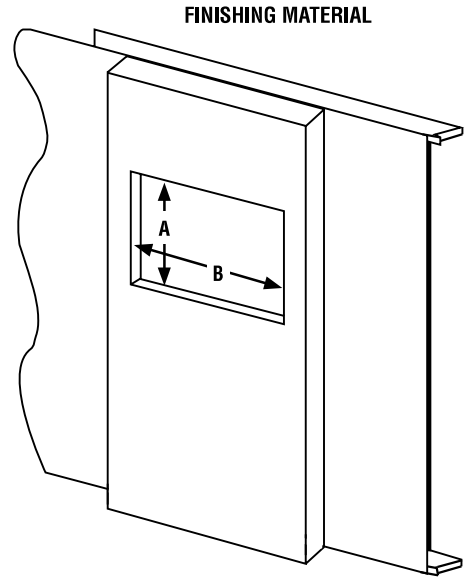
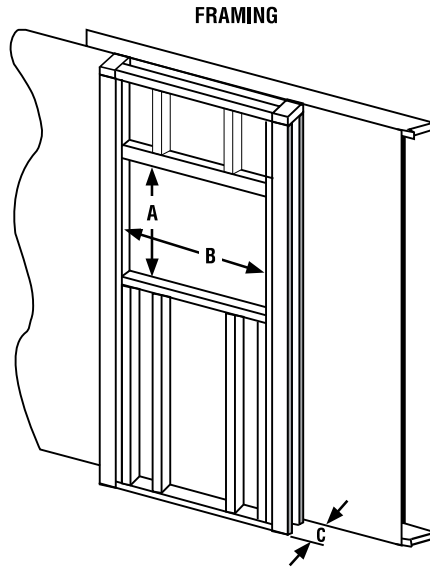


Sentry™, Plexus™, and ERL Series

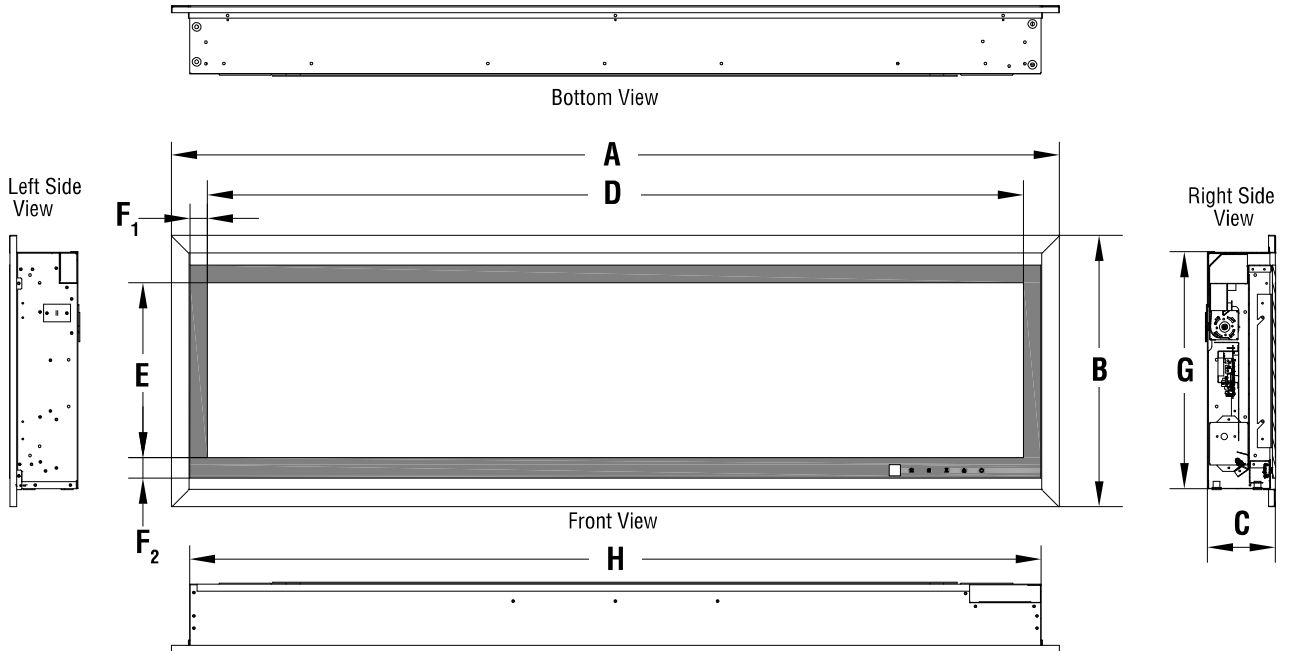
ELECTRIC FIREPLACES

Recessed Framing Dimensions

| Model | A - Height | B - Width | C - Depth |
|-------|------------|-----------|-----------|
| 45" | 16-1/2" | 48" | 5-1/8" |
| 55" | 16-1/2" | 58" | 5-1/8" |
| 60" | 16-1/2" | 63" | 6-1/2" |
| 72" | 16-1/2" | 75" | 6-1/2" |
| 84" | 16-1/2" | 87" | 6-1/2" |
| 100" | 16-1/2" | 103" | 6-1/2" |



Fireplace Dimensions



| PRODUCT DIMENSION | | | | | | | | | |
|-------------------|---------|--------|-------|-----|--------|----------------|----------------|----|---------|
| Models | A | B | C | D | E | F ₁ | F ₂ | G | H |
| 45" | 49-7/8 | 18-3/8 | 4-5/8 | 45 | 11-7/8 | 1-1/4 | 1-3/8 | 16 | 47-1/2 |
| 55" | 59-7/8 | 18-3/8 | 4-5/8 | 55 | 11-7/8 | 1-1/4 | 1-3/8 | 16 | 57-1/2 |
| 60" | 64-7/8 | 18-3/8 | 6 | 60 | 11-7/8 | 1-1/4 | 1-3/8 | 16 | 62-1/2 |
| 72" | 76-7/8 | 18-3/8 | 6 | 72 | 11-7/8 | 1-1/4 | 1-3/8 | 16 | 74-1/2 |
| 84" | 88-7/8 | 18-3/8 | 6 | 84 | 11-7/8 | 1-1/4 | 1-3/8 | 16 | 86-1/2 |
| 100" | 104-7/8 | 18-3/8 | 6 | 100 | 11-7/8 | 1-1/4 | 1-3/8 | 16 | 102-1/2 |

Sentry™, Plexus™, and ERL Series

ELECTRIC FIREPLACES

Reference Information

| Product Reference Information | | | | |
|-------------------------------|--------------------|-------------|--------------|-------------|
| Cat. # | Models | Unit Weight | Ship. Weight | Cu. Ft. |
| F4443 | Sentry 45, ERL2045 | 43 lbs. | 51 lbs. | 7.9 cu. ft. |
| F4444 | Sentry 55, ERL2055 | 53 lbs. | 62 lbs. | 9.2 cu. ft. |
| F4445 | Plexus 60, ERL3060 | 75 lbs. | 99 lbs. | 7.2 cu. ft. |

| Product Reference Information | | | | |
|-------------------------------|---------------------|-------------|--------------|--------------|
| Cat. # | Models | Unit Weight | Ship. Weight | Cu. Ft. |
| F4446 | Plexus 72, ERL3072 | 90 lbs. | 121 lbs. | 8.5 cu. ft. |
| F4447 | Plexus 84, ERL3084 | 105 lbs. | 137 lbs. | 9.7 cu. ft. |
| F4448 | Plexus 100, ERL3100 | 124 lbs. | 162 lbs. | 11.3 cu. ft. |

MINIMUM CLEARANCES TO COMBUSTIBLES

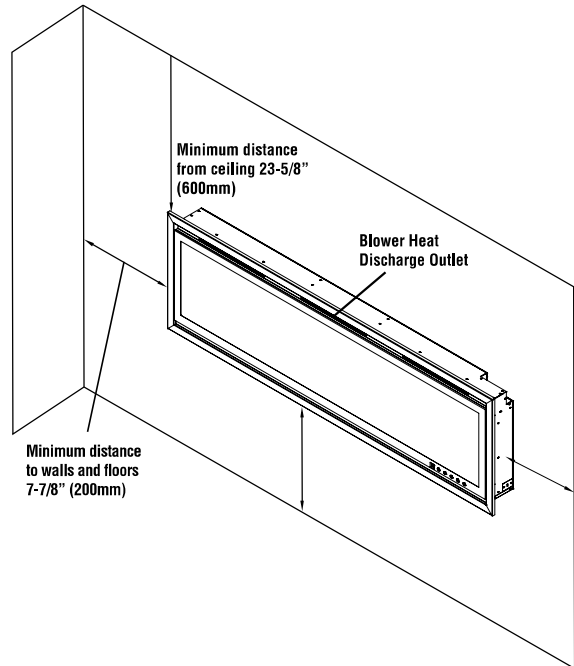
This appliance is an electric fireplace designed to be framed in with combustible materials (up to the edge of the appliance).

Mantel Clearance: Combustible and Non-combustible mantels may be installed above the top of the face of fireplace.

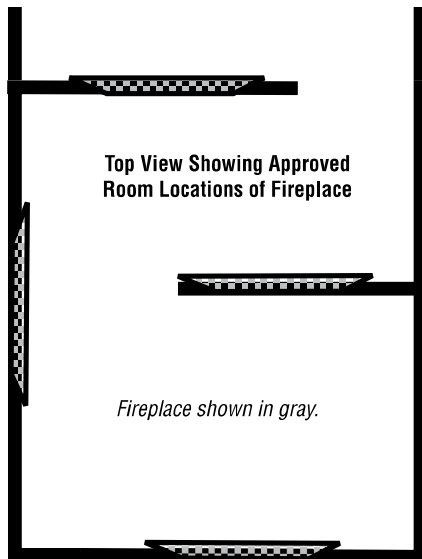
Minimum clearance requirements include any projections such as shelves, window sills, mantels, etc. above the fireplace.

Clearances to Combustibles

| Fireplace Clearances | | |
|----------------------|-----------------|----------|
| | Wall | Recess |
| Sides | 7-7/8" (200mm) | 0" (0mm) |
| Floor | 7-7/8" (200mm) | 0" (0mm) |
| Top | 23-5/8" (600mm) | 0" (0mm) |
| Rear | 0" (0mm) | 0" (0mm) |



Locations



Power

Power Requirements:

(120 Volt, 60 Hz.)
 Rated Wattage - 1600 Watts
 Amperage - 13.33 Amps
 Blower CFM: 83 CFM
 (120 V): 5,461 BTU/HR

| Power Supply Wire Gage | | |
|------------------------|-----------|--------|
| Voltage | Wire Gage | Fuse |
| 120 V | 14 GA. | 15 AMP |

Listing



This appliance has been tested in accordance with UL 2021 and CSA C22.2 No. 46-M198 standards for fixed and location dedicated electric room heaters.

Report # 2048831

Specifications and clearances are subject to change without notice. Refer to Installation Manual before installation of these appliances for updated dimensions and instructions.