



FMI PRODUCTS, LLC

INSTALLATION INSTRUCTIONS FOR BI-FOLD AND CABINET GLASS DOORS

If any of these parts are missing or damaged, call FMI PRODUCTS, LLC at 1-866-328-4537.

BI-FOLD GLASS DOORS

USE GLASS DOORS CERTIFIED FOR USE WITH YOUR APPLIANCE OR FIREPLACE ONLY

Door Installation

Pivot and spring clips have been installed and pretested at the factory, but some readjustments may be needed due to movement during shipping or handling.

Install doors using the following steps. If you find the doors do not close properly or do not appear level or straight, proceed with section on door adjustment.

1. With bi-fold door completely folded, insert bottom pivot pin into pivot plate or pivot hole located near bottom corner of front face. Open and swing door to vertical position making sure top pins slide into door track. Door is installed when top door pin snaps into spring clip (see Figure 1).
2. Repeat step 1 for remaining door.

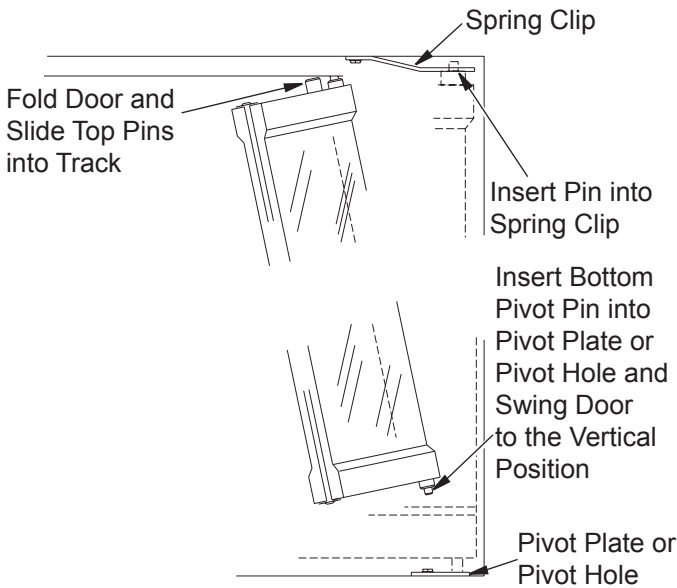


Figure 1 - Bi-Fold Door Installation

Door Adjustment

Remove doors and slightly loosen lower pivot plate (if equipped) and upper spring clips. Replace doors and fully close them. Use 1/8" shims (any material) to level doors. Once the proper setting is achieved, carefully open doors enough so that you can access pivot and spring clips with a Phillips screwdriver. Tighten screws (see Figure 2).

Please read *Care and Operating Guidelines*, column 2, before operating your appliance or fireplace.

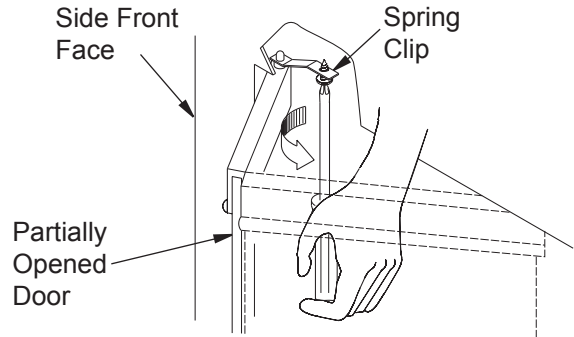


Figure 2 - Door Adjustment

Care and Operating Guidelines

- Glass doors should be operated in the fully open or fully closed positions only (see Figure 3).
- When operating doors, do not slam shut or abuse them.
- Always keep area below bottom edge of doors clear from obstacles or debris.
- Do not operate this appliance if glass doors are broken or damaged.
- Do not use abrasive liquids or cleaners for cleaning of glass and door trims. Any household glass cleaner should suffice. Do not clean doors when hot, allow appliance to cool before cleaning.

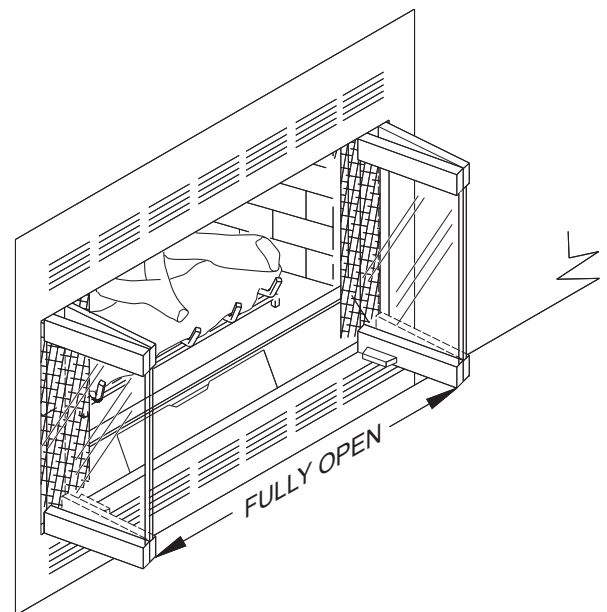


Figure 3 - Bi-Fold Doors Fully Open

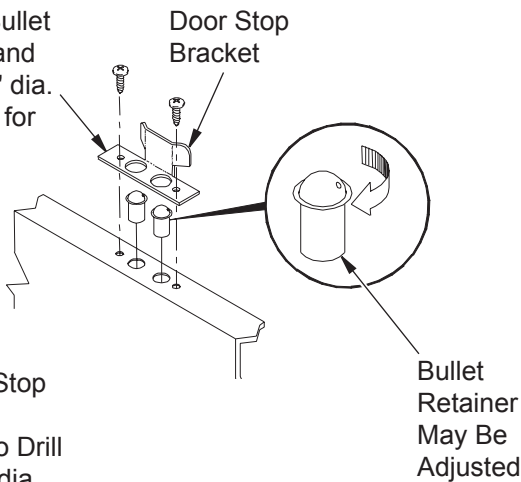
CABINET GLASS DOORS

Door Installation

Cabinet type doors require a different type of door stop than the standard factory-installed door stop basically designed for bi-fold doors.

1. Remove old door stop by removing screws. Some models may have old door stops fastened with rivets. In this case, drilling will be required. Using new door stop bracket as a template, measure and align to the center of bottom front face and proceed to drill a 0.42" diameter hole (see Figure 4). Install bracket with provided screws.

Use Door Stop Bracket as Template to Drill Two 0.42" dia. Holes for Bullet Retainers and Two 0.124" dia. Pilot Holes for Screws



Use Door Stop Bracket as Template to Drill Two 0.42" dia. Holes for Bullet Retainers and Two 0.124" dia. Pilot Holes for Screws

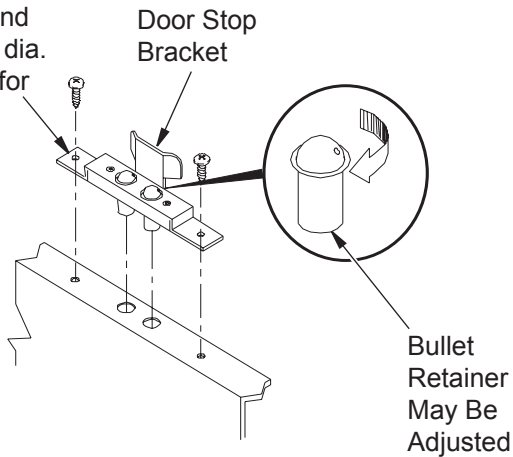


Figure 4 - Replacing Door Stops on Various Models

2. With cabinet door open, insert bottom pivot pin into pivot plate located near bottom corner of front face opening. Swing door to the vertical position, making sure top pin slides into door track. Door is installed when top door pin snaps into spring clip (see figure 5).

Please read Care and Operating Guidelines on page 1 before operating your appliance or fireplace.

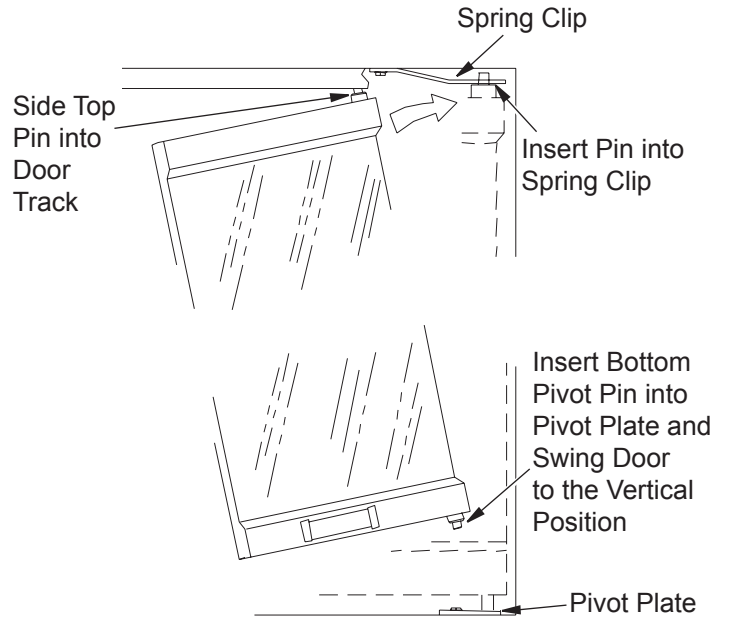


Figure 5 - Installing Glass Door

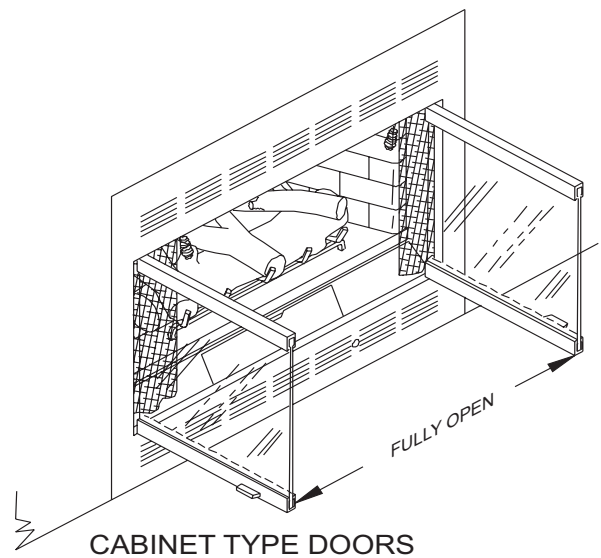


Figure 6 - Cabinet Doors Fully Opened



FMI PRODUCTS, LLC

Manufactured at:
2701 S. Harbor Blvd.
Santa Ana, CA 92704
www.fmiproducts.com

© 2010 FMI PRODUCTS, LLC
All Rights Reserved

105740-01

Rev. E

10/10