

GLQUARTZ36PLA

Models: QUARTZPLA36IN / QUARTZPLA36IL

Black Glass Liner Kit Installation Instructions



Leave this manual with party responsible for use and operation.

DANGER



HOT GLASS WILL CAUSE BURNS.

DO NOT TOUCH GLASS UNTIL COOLED.

NEVER ALLOW CHILDREN TO TOUCH GLASS.

A barrier designed to reduce the risk of burns from the hot viewing glass is provided with this appliance and must be installed for the protection of children and other at-risk individuals.

CAUTION! Do not install damaged components.

CAUTION! Risk of Cuts or Abrasions. Wear protective gloves and safety glasses during installation.

NOTICE: Handle refractory panels with care. Refractory may chip or crack if dropped or impacted.

TOOLS

Screw gun equipped with 1/4 in (6 mm). socket or 1/4 in. (6 mm). wrench or socket

KIT COMPONENTS

- (1) Left Glass Panel
- (1) Right Glass Panel
- (1) Rear Glass Panel
- (2) Lower Glass Brackets (1 left, 1 right)
- (1) Rear Lower Glass Bracket
- (2) Upper Glass Brackets (1 left, 1 right)
- (2) 3/8 in. (9.5 mm) Sleeves
- (4) 1/2 in. (13 mm) self-tapping Screws
- (2) 1-1/4 in. (32 mm) screws
- (1) Top Refractory Panel

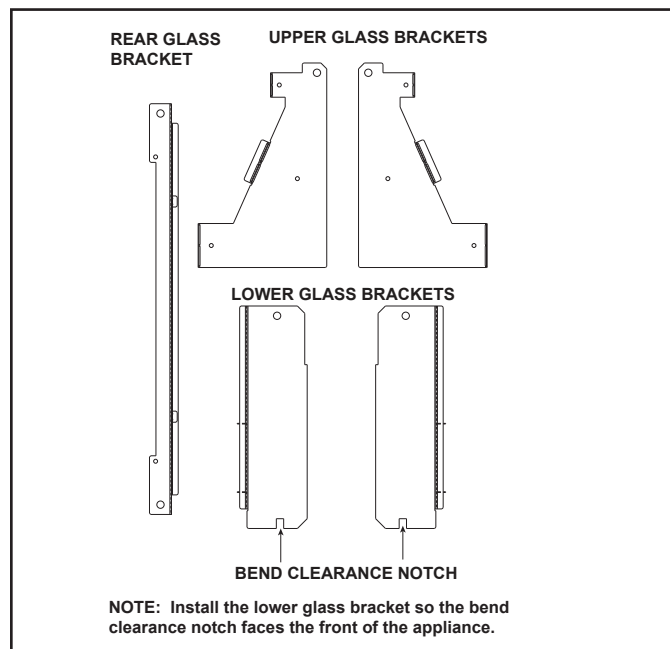


Figure 1 Metal Components - Components Shown Bent

Installation Instructions

1. If installed, remove existing brick refractory and logs from appliance.
2. Remove the screw that secures the pilot assembly to the pilot bracket and gently pull the pilot upward about 2 inches (51 mm).
3. Locate and remove the two screws that secure the rear refractory bracket in place. See Figure 2. Retain these screws for later use.

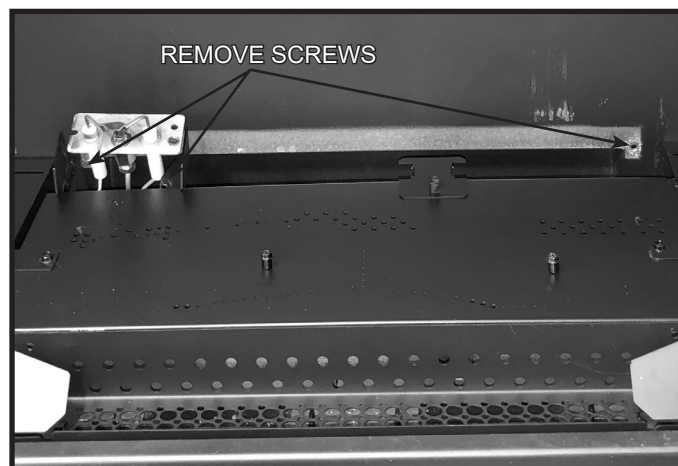


Figure 2 Remove Screws that Secure Rear Bracket to Firebox

- If the rear tabs on the left and right basepans are bent upward, straighten them so they are flat as shown in Figure 3.

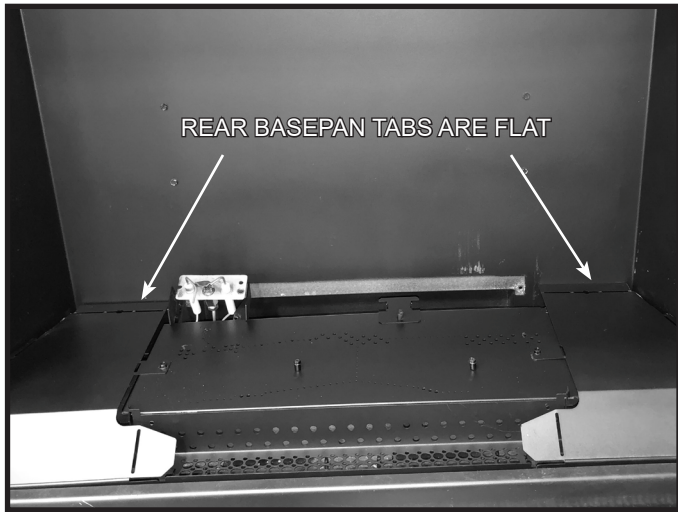


Figure 3 Straighten Rear Tabs

- Remove lower glass brackets from packaging and bend “up” hand bend features. See Figure 4. Install left and right lower glass brackets by installing them between the outer edges of the left and right basepans with the notch facing the front of the appliance. These pieces will fit tightly against the firebox. See Figure 4.

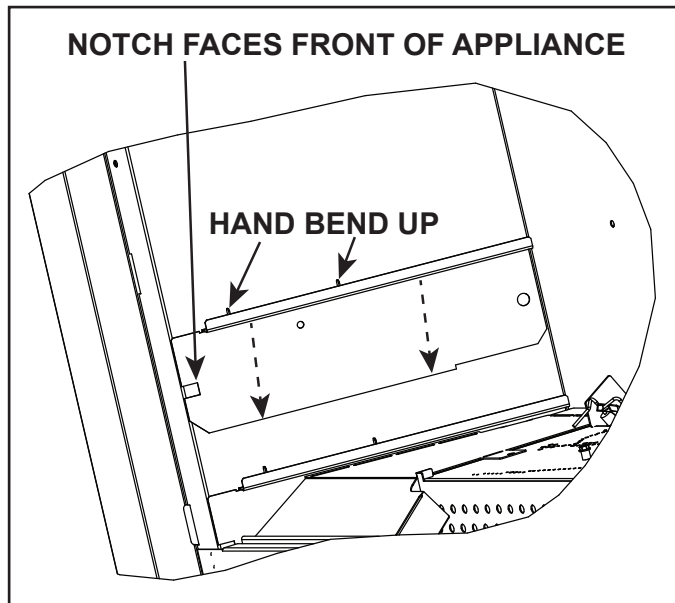


Figure 4 Install Lower Glass Bracket (Left Side Shown)

- Remove the new rear lower glass bracket from the packaging and bend the hand bend features “up” to about 45 degrees. See Figure 5. Install the new rear lower glass bracket with screws removed in Step 3.

Note: The new lower glass bracket spans the entire width of the back wall of the firebox and rests above the side lower glass brackets. See Figure 5, Detail A.

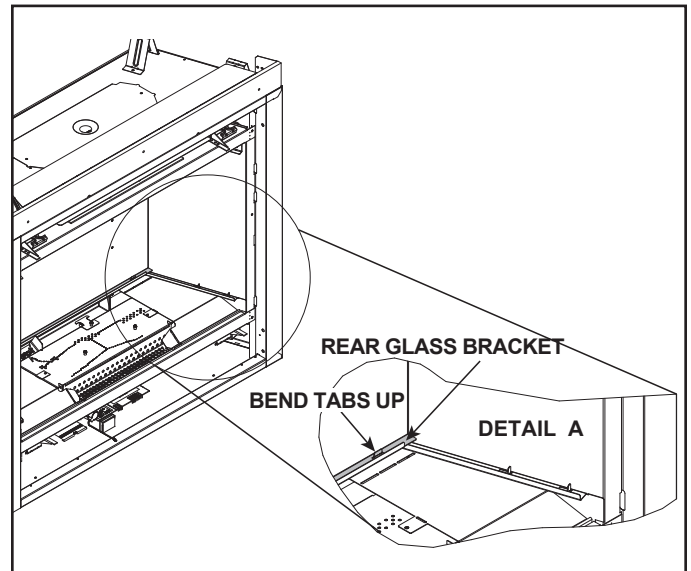


Figure 5 Bend Tabs on Lower Side and Rear Glass Brackets

- Gently pull the pilot tube and pilot wires down, grasping them from beneath the firebox to remove slack in pilot wires. Reattach pilot assembly to pilot bracket.
- Locate, remove and discard the two screws located below the rear exhaust hole. See Figure 6. Install the sleeve onto each 1-1/4 inch (32 mm) screw and install in holes. See Figure 7.

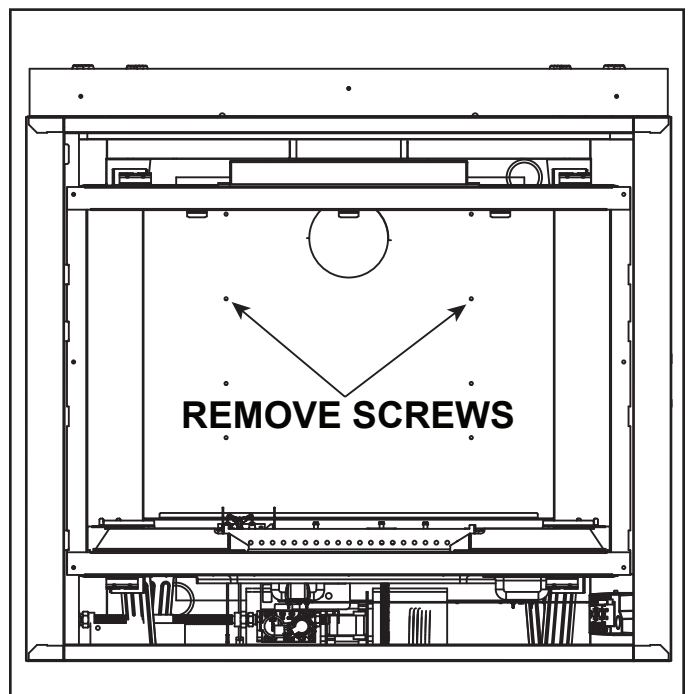


Figure 6 Remove Screws

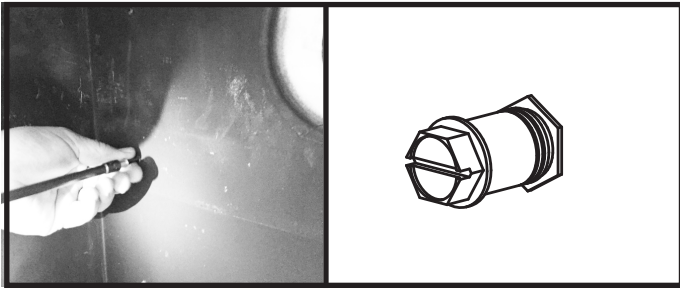


Figure 7 Install Sleeves

9. Locate the two upper glass brackets that are shipped flat. Bend the "Right" bracket as shown in Figure 8. Bend the "Left" bracket shown in Figure 9. The rear hand bend feature, circled in Figure 9, is left flat until step 12.
10. Install right upper glass bracket by pushing the bracket "up" to the firebox top and "out" to the front face of the firebox. The front edge of the bracket should be tight to the firebox face and the top edge of the bracket should be tight to the firebox top. Install the bracket by inserting the two self-tapping screws through the bracket into the firebox. See Figure 8. Repeat step 10 for left upper glass bracket installation.

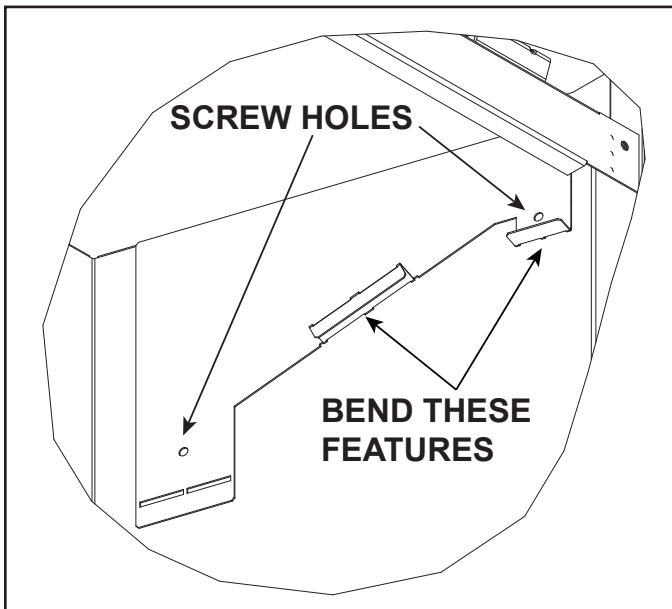


Figure 8 Bend Upper Glass Brackets
(Upper Right Bracket Shown)

11. Install the rear glass panel by placing the lower edge into the rear lower glass bracket. Ensure the smooth side is facing toward the front of the fireplace. Tip glass back until the glass touches the screw head previously installed in Step 8. Keep one hand on the rear glass panel and proceed to Step 12.

12. With one hand on the rear glass panel, bend "up" one hand bend tab on the upper glass bracket to approximately 90 degrees. See Figure 9. Once the hand bend tab is properly bent, the glass panel will not tip forward. Bend "up" the hand bend tab on the opposing bracket. The rear glass panel is now installed. This panel will be held in place by the side panels once they are installed.

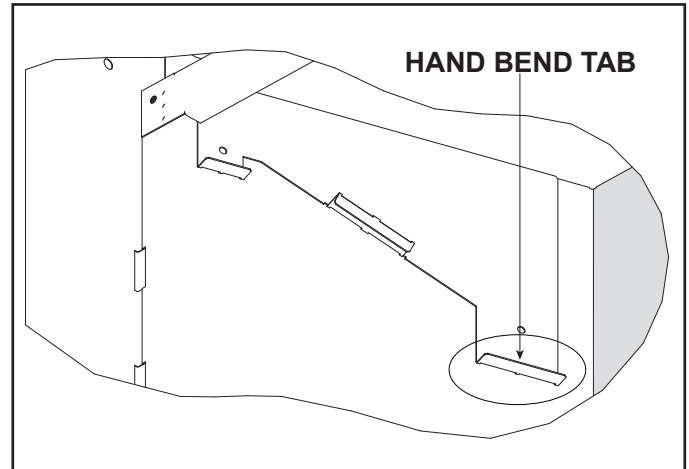


Figure 9 Upper Glass Brackets Installed (Left Upper Bracket Shown)

13. Install left glass panel by inserting the glass panel from the front. Slide panel back until it contacts the rear glass panel. Ensure that the tab shown below is bent "down" on each upper glass bracket to secure left/right glass panels. Repeat Step 13 for right glass panel installation.

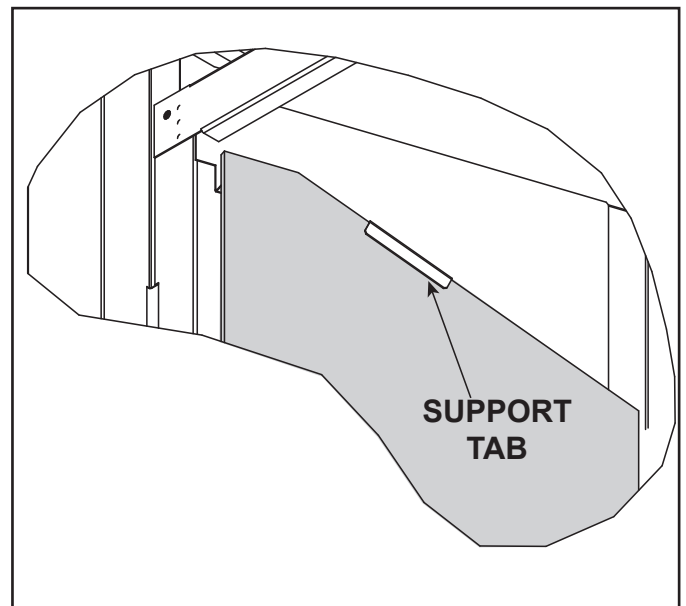


Figure 10 Install Left Glass Panel

14. Install the top refractory by holding the part horizontally as shown in Figure 11. Insert the top panel into the space between the firebox top and the top edges of the side refractory panels as shown in Figure 12. The refractory panel should rest on all sides of the glass as shown in Figure 12.

Note: The refractory top panel is designed to fit tightly. It may be helpful to insert the top at a slight angle when installing as shown in Figure 11.

15. Install logs, media, glass assembly, and decorative front.



Figure 11 Install Top Refractory Panel

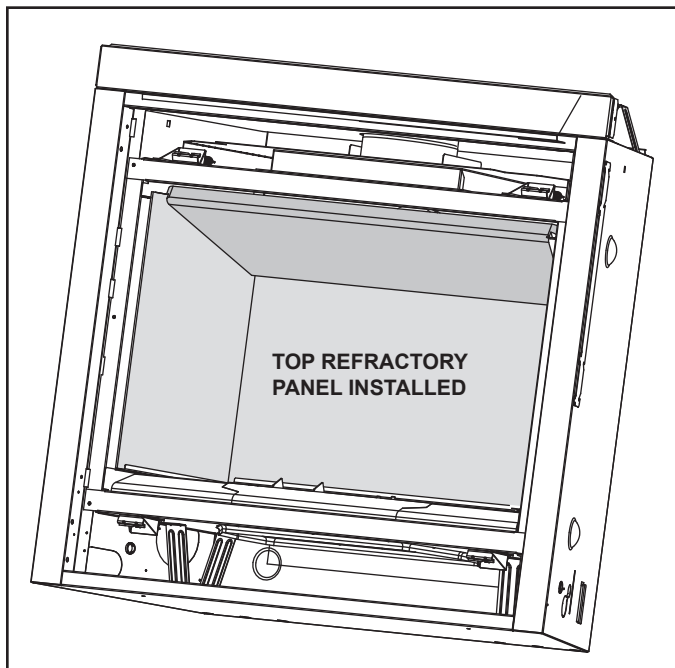


Figure 12 Top Refractory Panel

Please contact your Majestic dealer with any questions or concerns.

For the location of your nearest Majestic dealer, please visit www.majesticproducts.com.

Majestic, a brand of Hearth & Home Technologies
7571 215th Street West, Lakeville, MN 55044
www.majesticproducts.com