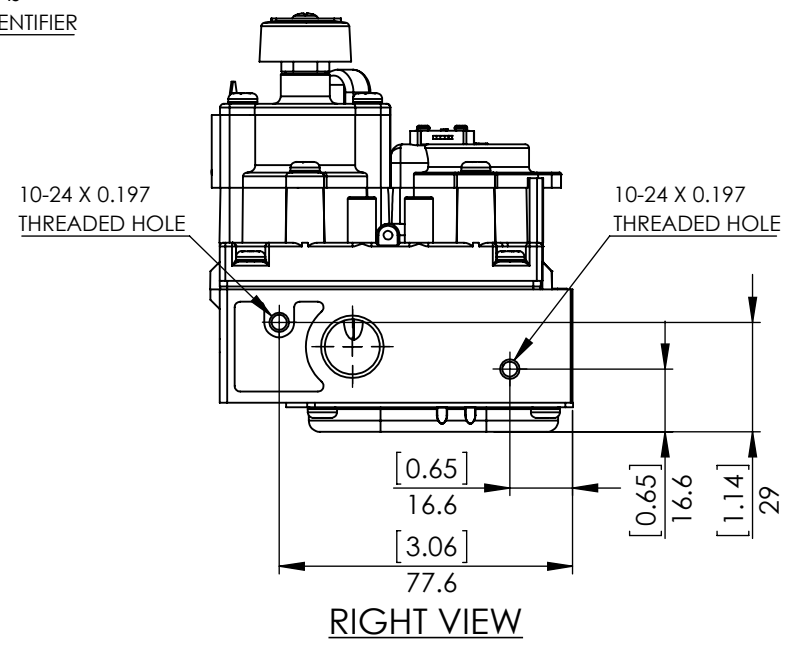
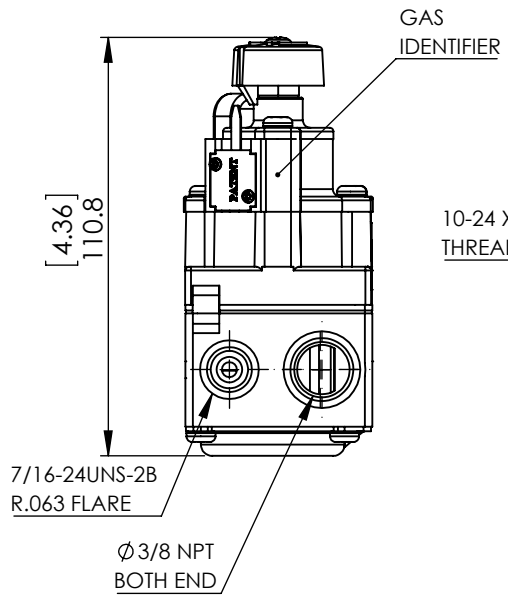
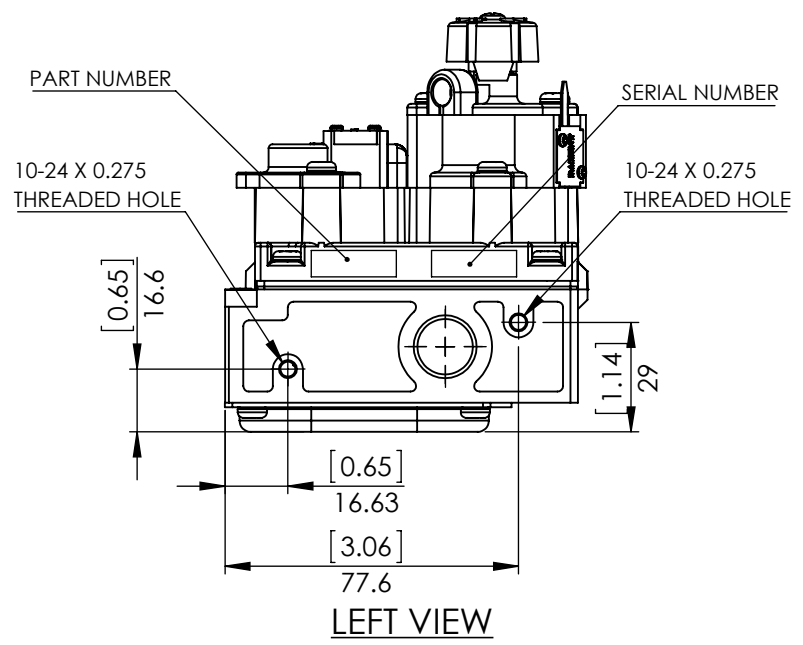
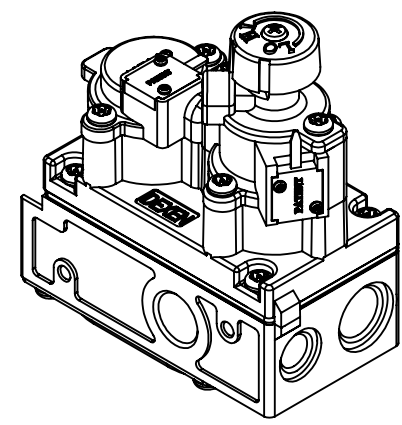


TAPPED INSERTS FOR PRESSURE IN
TAPPED INSERTS FOR PRESSURE OUT

SPADE CONNECTOR TABLE (IDENTIFICATION BALLOONS POINT TO PINT "1")			
1	PILOT (ORANGE)	0.126" X 0.02"	40 ± 2 OHM @ 20 °C
2	MAIN (GREEN)	0.197" X 0.02"	60 ± 2 OHM @ 20 °C



- Note:
- OUTLET PRESSURE FROM VALVE:
 - NAT: 1.7" - 3.5" WC +/- 0.3" W.C.
 - LP: 5.5" - 10.0" WC +/- 0.5" W.C.
 - VALVE CAPACITY: 12,000 - 65,000 BTU/HR
 - TEMPERATURE RANGE: -32 TO 80 °C
 - MAXIMUM INLET PRESSURE: 14" W.C., 1/2 PSI
 - CSA CERTIFICATION: ANSI Z21.78 (1074702)
 - GAS IDENTIFIER STAMPS ARE, "NAT" BLUE INK AND "LP" RED INK

		TOLERANCES UNLESS OTHERWISE SPECIFIED		MM [INCH]	0-6.99 ± 0.1 0-0.275 ± 0.004	7.00-30.99 ± 0.2 0.276-1.220 ± 0.008	31.00-120.99 ± 0.3 1.221-4.763 ± 0.012	121.00-315.99 ± 0.4 4.764-12.440 ± 0.016	[ANGLE]	± 2°
										± 1/16
B	GAS IDENTIFIER									B
A	INITIAL RELEASE									
REV	REVISIONS	DATE	REQ.	CHK.	DEXEN INDUSTRIES, INC.		PART NAME: IPI MANUAL HI/LO VALVE PART NUMBER: H3V-K-NAT		SHEET: 1 OF 1	
						THIS PRINT IS CHECKED AND CONTROLLED BY THE ENGINEERING DEPARTMENT OF DEXEN INDUSTRIES INC.		DRAWN BY: GTS		SCALE: