

# MAJESTIC

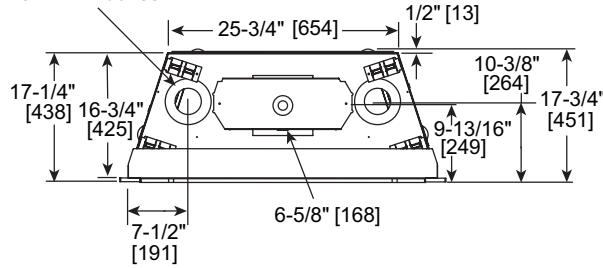
Please consult the manufacturer's installation manual for all details and requirements before making a final design layout decision.

## JADE 32

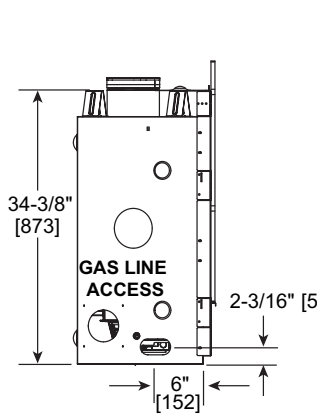
Direct Vent Gas Fireplace

| MODEL   | FRONT WIDTH  |              | BACK WIDTH       |              | HEIGHT            |                  | DEPTH            |                  | GLASS SIZE                       |
|---|--------------|--------------|------------------|--------------|-------------------|------------------|------------------|------------------|----------------------------------|
|   | ACTUAL       | FRAMING      | ACTUAL           | FRAMING      | ACTUAL            | FRAMING          | ACTUAL           | FRAMING          |                                  |
| <b>JADE32IN-B</b><br>19,000 BTU (NG)<br>16,500 BTU (LP) | 36"<br>(914) | 37"<br>(940) | 25-3/4"<br>(654) | 37"<br>(940) | 38-1/16"<br>(967) | 36-1/2"<br>(927) | 17-3/4"<br>(451) | 17-3/4"<br>(451) | 27-1/4" x 15-1/4"<br>(692 x 387) |

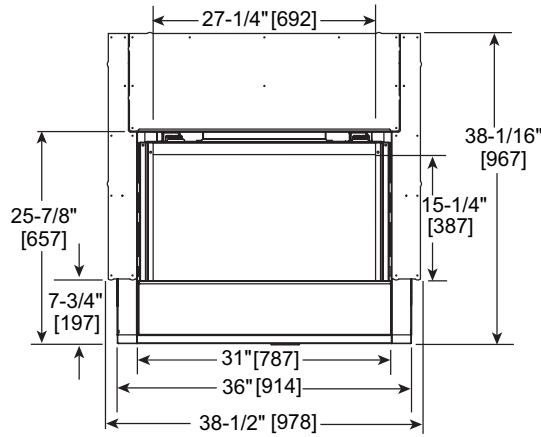
HEAT MANAGEMENT ACCESS



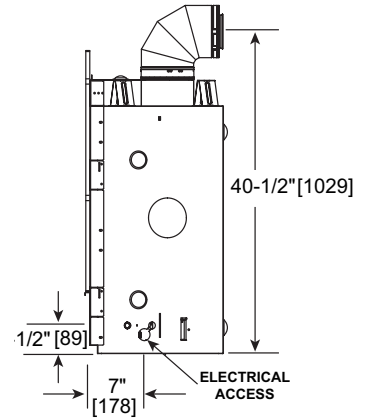
TOP VIEW



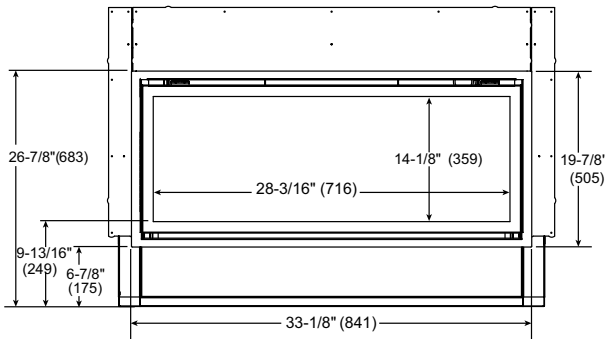
LEFT SIDE VIEW



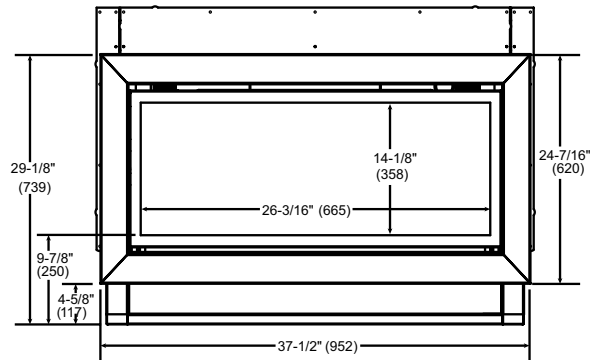
FRONT VIEW



RIGHT SIDE VIEW



CLEAN FACE TRIM

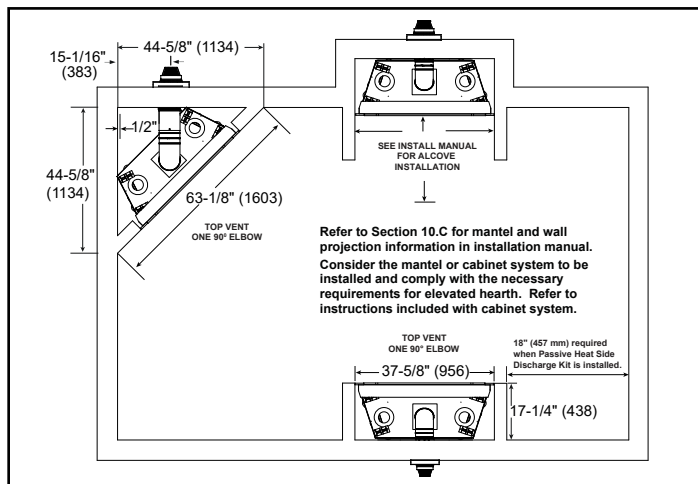


PICTURE FRAME FRONT

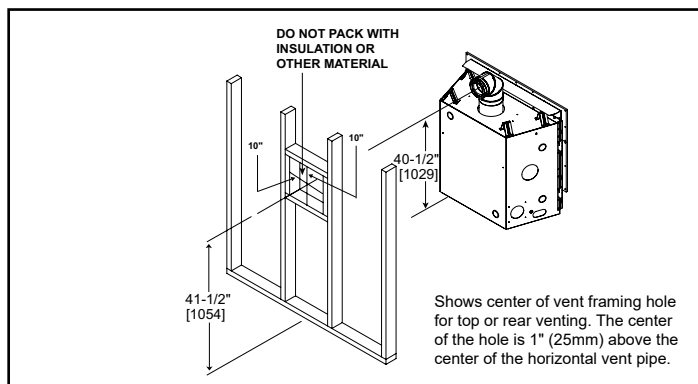
### MINIMUM FIREPLACE CLEARANCES

| AREA                              | TO COMBUSTIBLES (in inches) |
|-----------------------------------|-----------------------------|
| CLEARANCE TO CEILING              | 31" (787)                   |
| COMBUSTIBLE/NON-COMBUSTIBLE FLOOR | 0" (0)                      |
| BEHIND OF APPLIANCE               | 1/2" (0)                    |
| SIDES OF APPLIANCE                | 1/2" (13)                   |
| FRONT OF APPLIANCE                | 36" (913)                   |

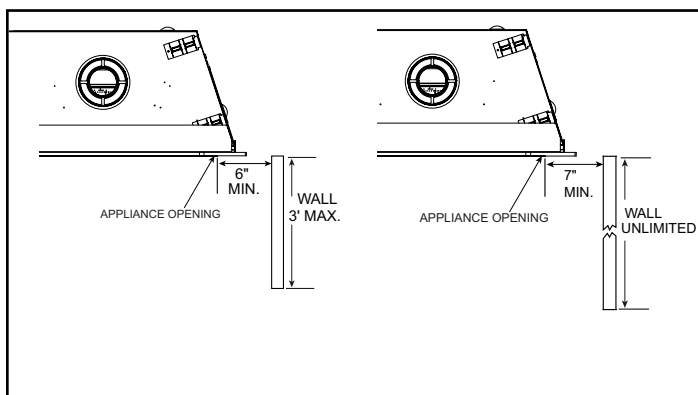
### APPLIANCE LOCATION



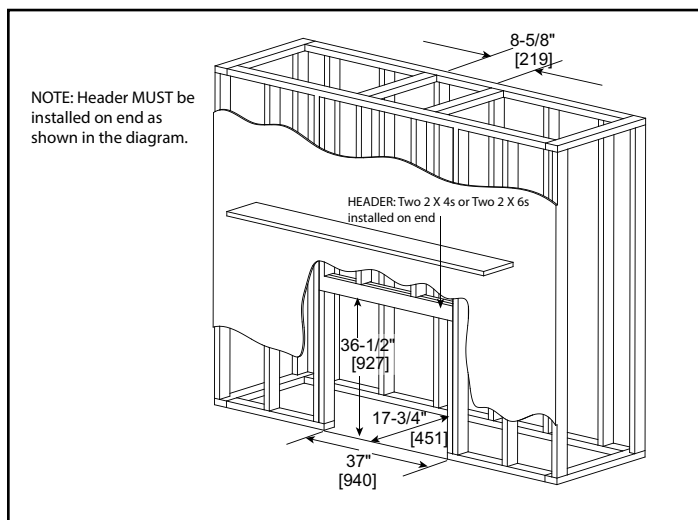
### WALL PENETRATION



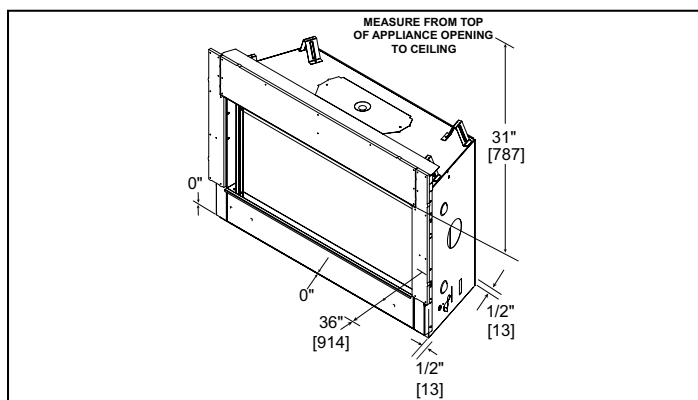
### MANTEL LEG/WALL PROJECTIONS



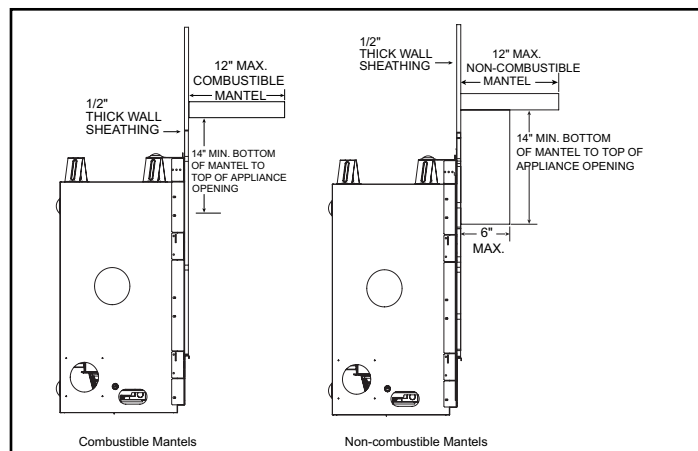
### FRAMING DIMENSIONS



### CLEARANCES TO COMBUSTIBLES



### MANTEL PROJECTIONS



| PRODUCT LISTING CODES |                  |
|-----------------------|------------------|
| US                    | ANSI Z21.88-2017 |
| CAN                   | CSA 2.33-2017    |
| US LISTED             | UL307B           |

Product information provided is not complete and is subject to change without notice. Product installation must adhere strictly to instructions accompanying product to avoid risk of fire and potential injury.



Majestic — A Brand of Hearth & Home Technologies  
7571 215th Street West | Lakeville, MN 55044  
877-486-9123 | majesticproducts.com

