

MAJESTIC

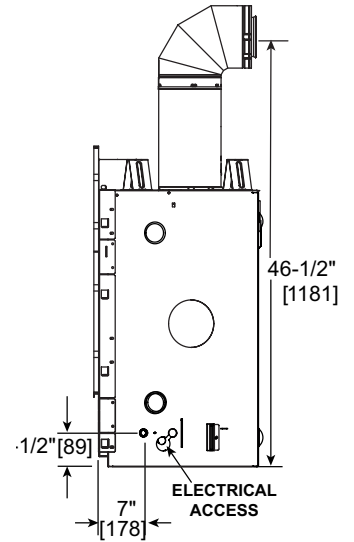
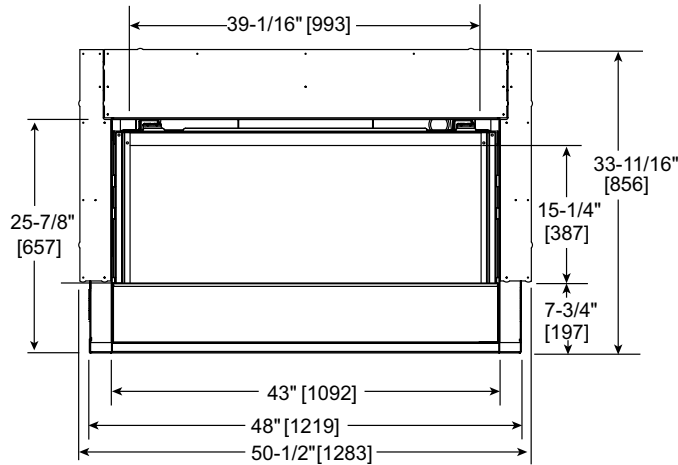
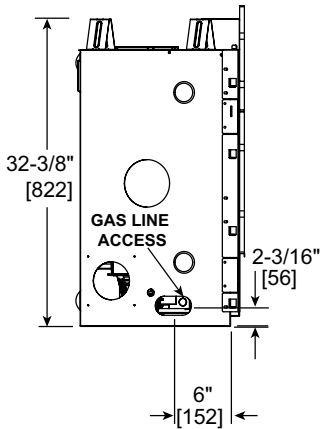
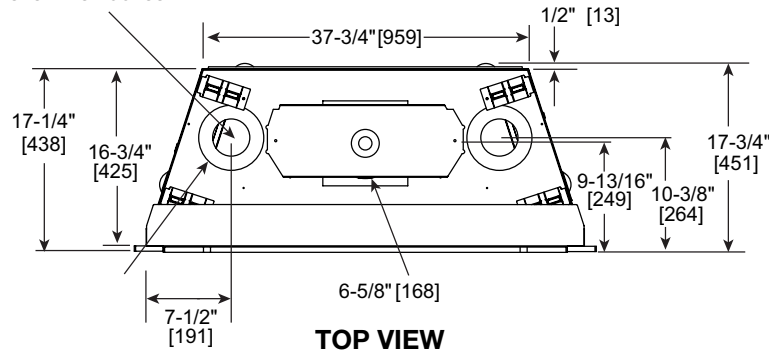
Please consult the manufacturer's installation manual for all details and requirements before making a final design layout decision.

JADE 42

Direct Vent Gas Fireplace

MODEL	FRONT WIDTH		BACK WIDTH		HEIGHT		DEPTH		GLASS SIZE
	ACTUAL	FRAMING	ACTUAL	FRAMING	ACTUAL	FRAMING	ACTUAL	FRAMING	
JADE42IN-B 25,250 BTU (NG) 23,500 BTU (LP)	48" (1219)	49" (1245)	37-3/4" (959)	49" (1245)	33-11/16" (856)	32-3/4" (832)	17-3/4" (451)	17-3/4" (451)	39-1/16" x 15-1/4" (992 x 387)

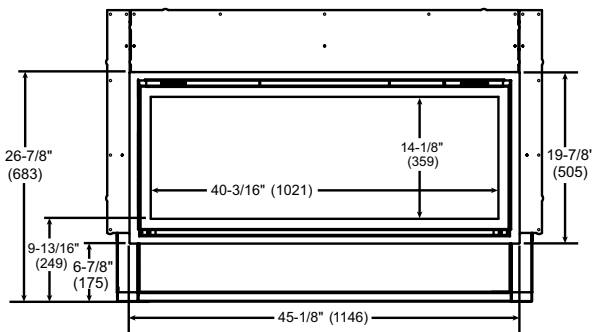
HEAT MANAGEMENT SYSTEMS ACCESS



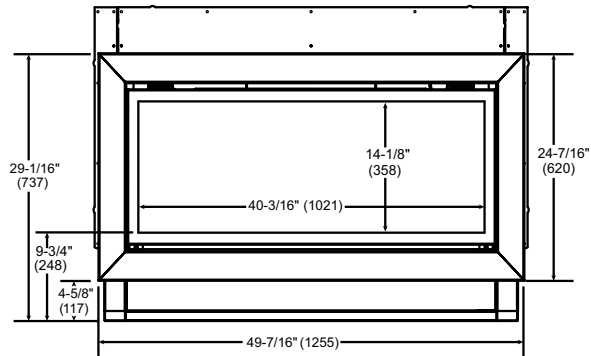
LEFT SIDE VIEW

FRONT VIEW

RIGHT SIDE VIEW



CLEAN FACE TRIM

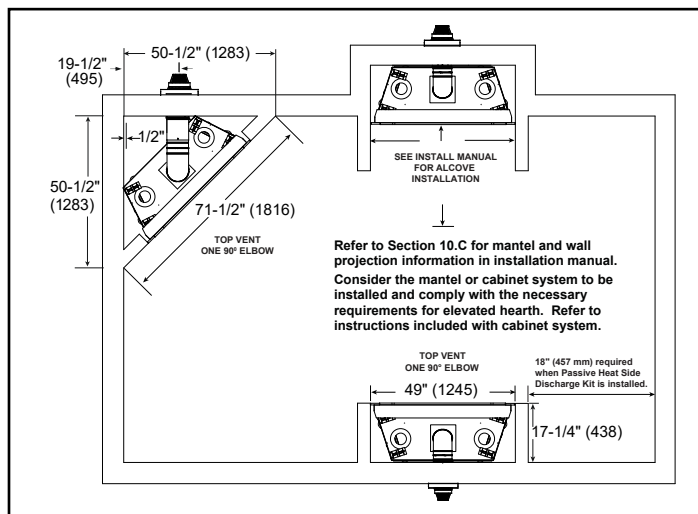


PICTURE FRAME FRONT

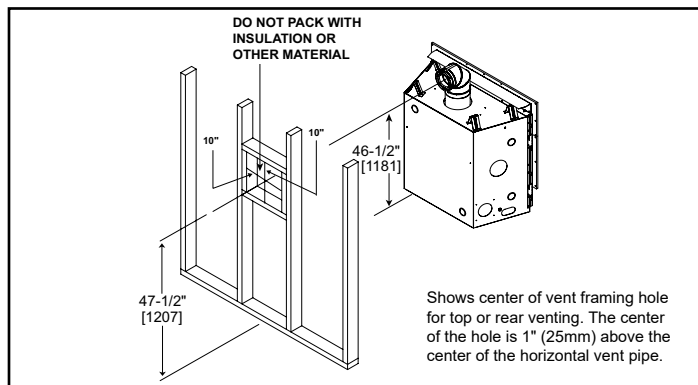
MINIMUM FIREPLACE CLEARANCES

AREA	TO COMBUSTIBLES (in inches)
CLEARANCE TO CEILING	31" (787)
COMBUSTIBLE/NON-COMBUSTIBLE FLOOR	0" (0)
BEHIND OF APPLIANCE	1/2" (0)
SIDES OF APPLIANCE	1/2" (13)
FRONT OF APPLIANCE	36" (13)

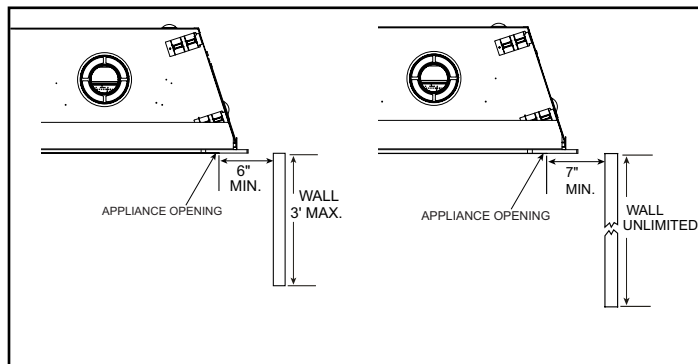
APPLIANCE LOCATION



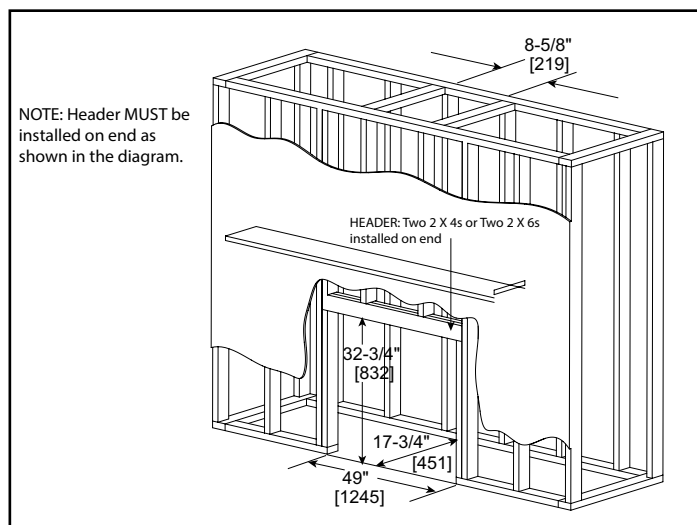
WALL PENETRATION



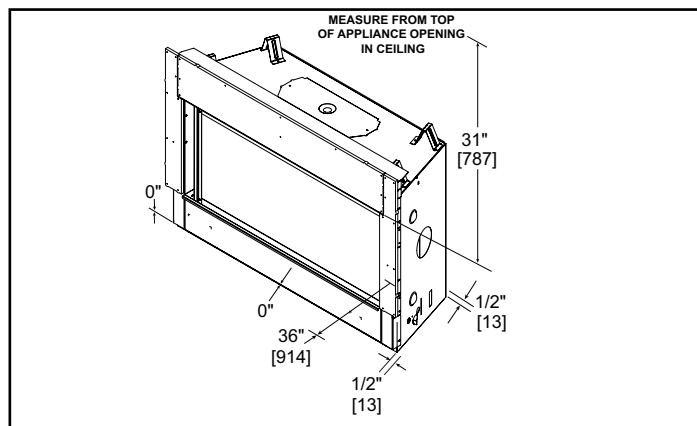
MANTEL LEG/WALL PROJECTIONS



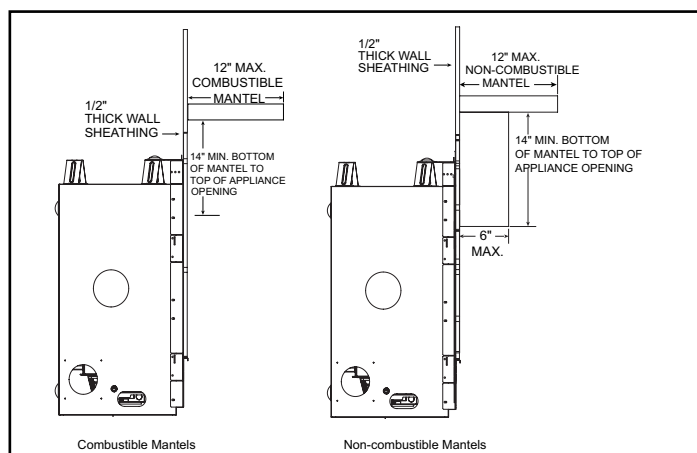
FRAMING DIMENSIONS



CLEARANCES TO COMBUSTIBLES



MANTEL PROJECTIONS



PRODUCT LISTING CODES

US	ANSI Z21.88-2017
CAN	CSA 2.33-2017
US LISTED	UL307B

Product information provided is not complete and is subject to change without notice. Product installation must adhere strictly to instructions accompanying product to avoid risk of fire and potential injury.