

# IntelliFire Touch® Gas Conversion Instructions

## NGK-MI-IFT, LPK-MI-IFT

**MODELS:** SUPREME-I25-IFT, SUPREME-I30-IFT, SUPREME-I30-BIR, SUPRM-I30LP-IFT SUPREME-I35-IFT  
COSMO-I30-IFT, COSMO-I35-IFT, RUBY25I, RUBY30I, RUBY35I, EXCURSION-I, EXCURSION-II,  
EXCURSION-III, TRILLIANT25IN, TRILLIANT30IN, TRILLIANT35IN

### Conversion Instructions

This conversion shall be installed by a qualified service agency.

Any damaged valve components should not be installed. If a valve or regulator has been dropped or appears to have been modified, the valve or regulator should not be installed.

Conversion Component list:

- Burner Orifice:  
See Appliance Specification charts on last page for appropriate orifice size for each gas type.
- Pilot Orifice
- Gas Valve Regulator
- Pilot Gasket
- Gas Conversion Plate
- NG or P Label

**CAUTION: THE GAS SUPPLY SHALL BE SHUT OFF PRIOR TO DISCONNECTING THE ELECTRICAL POWER BEFORE PROCEEDING WITH THE CONVERSION.**

#### WARNING:

This Conversion kit shall be installed by a qualified service agency in accordance with the manufacturer's instructions and all applicable code and requirements of the authority having jurisdiction. If the information in these instructions is not followed exactly, a fire, explosion or production of carbon monoxide may result causing property damage, personal injury or loss of life. The qualified service agency is responsible for the proper installation of this kit. The installation is not proper and complete until the operation of the converted appliance is checked as specified in the manufacturer's instructions supplied with the kit.

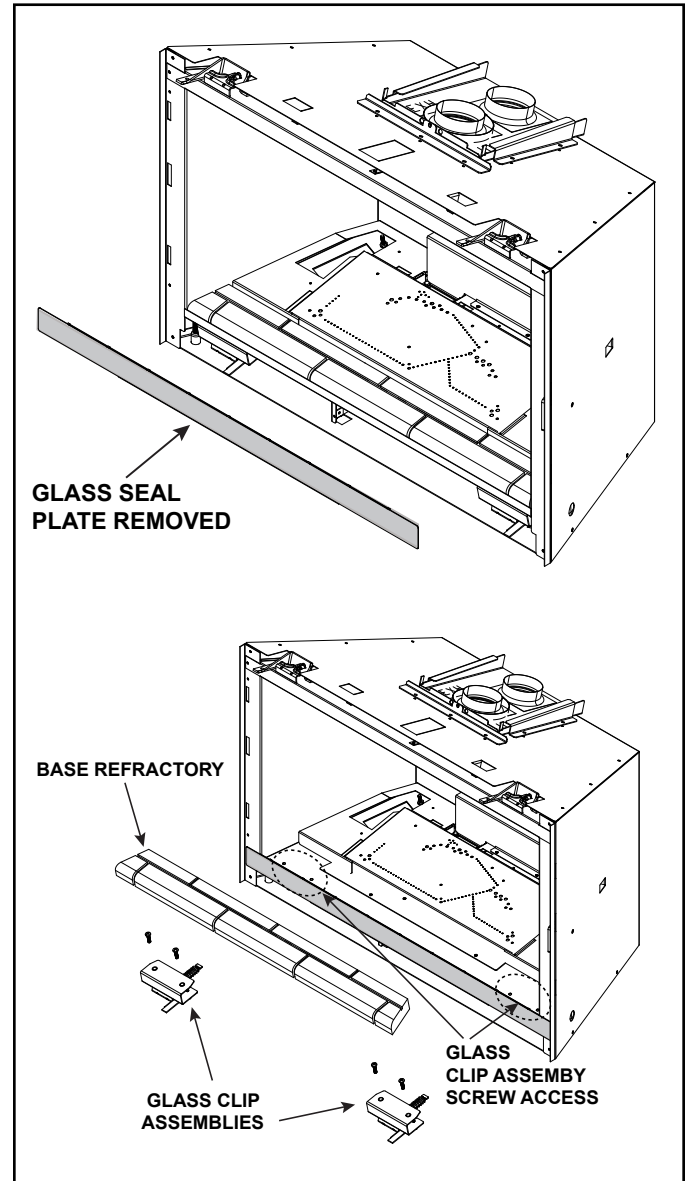


Figure 1 Glass Seal Plate installed with Glass Clip Assemblies Removed.

## Procedure for Conversion:

1. Verify that the kit supplied corresponds with the unit under conversion.
2. Remove the glass assembly. For detailed instructions, see appliance installation or owner's manual
3. Remove glass seal plate. See Figure 1.
4. To access controls, press component tray tab and slide component tray out. See Figure 2.

**Note:** Wires may need to be removed from clips for full access. See Figure 2.

5. For easier access to components the bottom glass clip assemblies can be removed. See Figure 1.

**Note:** Bottom right glass clip on 25 inch models must be removed to gain access to controls.

6. For full valve access, see Figure 4.

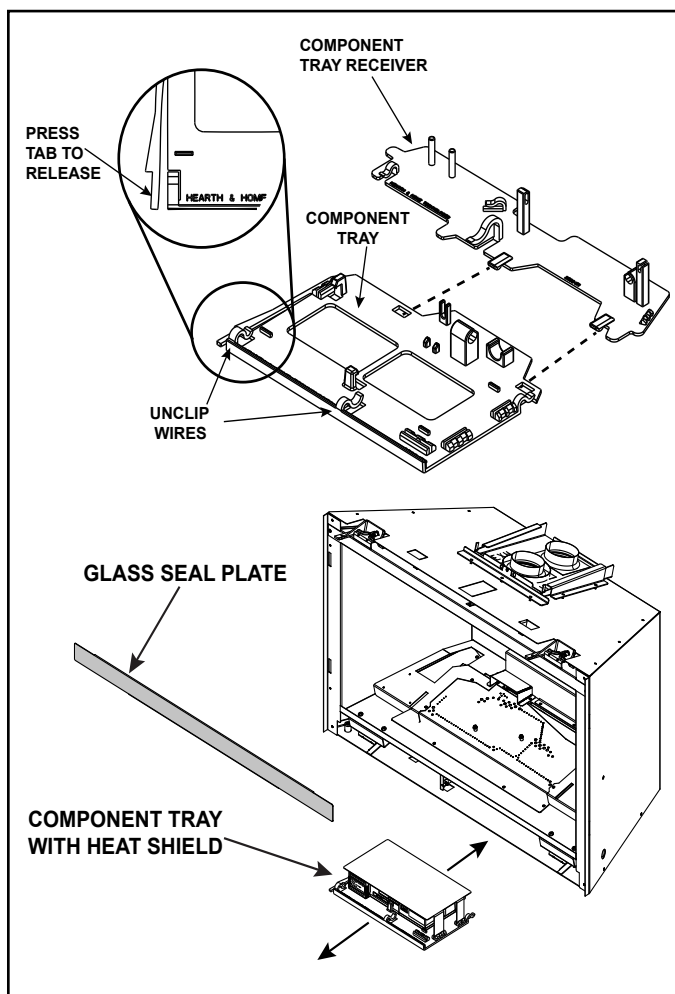


Figure 2 Component Tray

**CAUTION:** Be sure to reinstall the component heat shield before firing the appliance. Components will overheat.

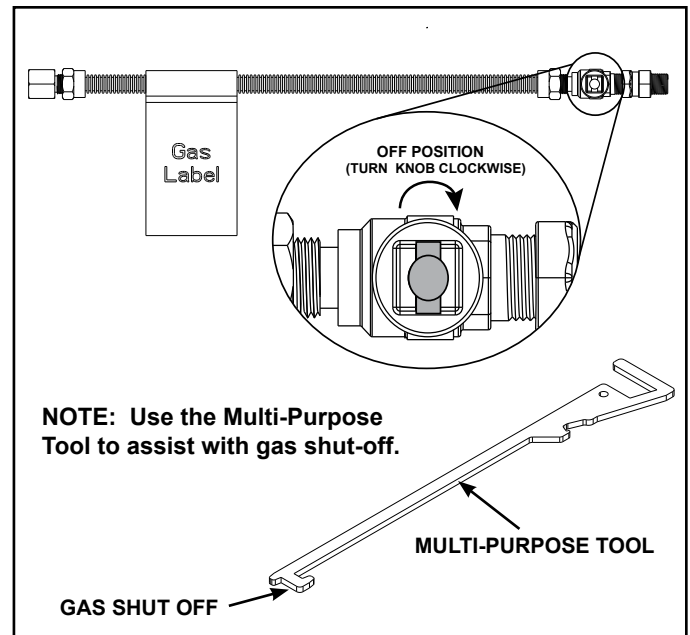


Figure 3 Gas Shut-off Detail / Multi-Purpose Tool

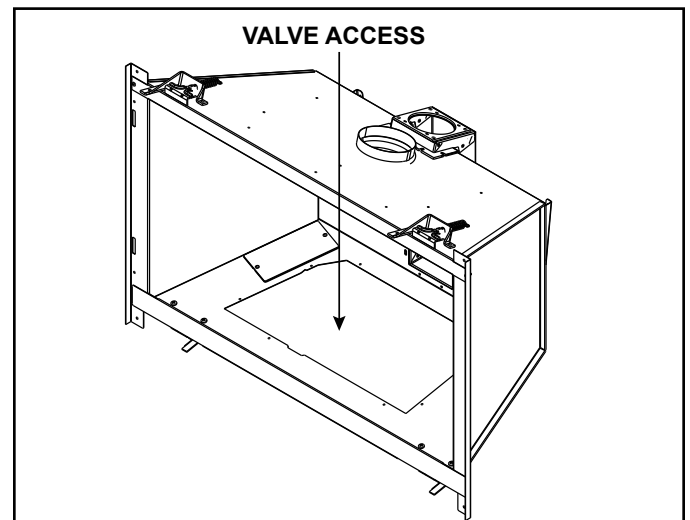



Figure 4 Valve Access

7. Switch control module to OFF mode using selector switch. See Figure 10.


**NOTICE:** Selector Switch on module **MUST** be in **OFF** mode before power can be disconnected or valve regulator lead can be connected or disconnected from valve.

8. Turn off power to module and valve by unplugging 6V transformer from the module.
9. Turn off gas to valve. Red gas shutoff knob is located on ball valve. See Figure 3.
10. Using a #20 tamper-proof Torx screwdriver, remove the regulator and rubber gasket on face of valve. See Figure 5. Discard both the regulator and gasket.
11. Install the rubber gasket and new regulator included in the conversion kit. Be sure the gasket is seated properly as shown in Figure 5.



**⚠ WARNING**

Fire Risk  
Explosion Risk  
Gas Leak Risk



- Rubber gasket must be seated properly on valve face.
- Do not install a valve or regulator that has been dropped.

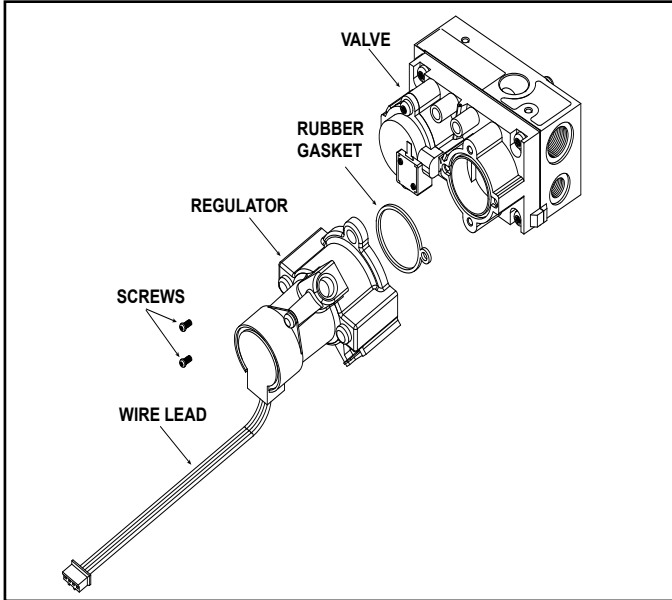


Figure 5

12. Remove the logs and refractory.

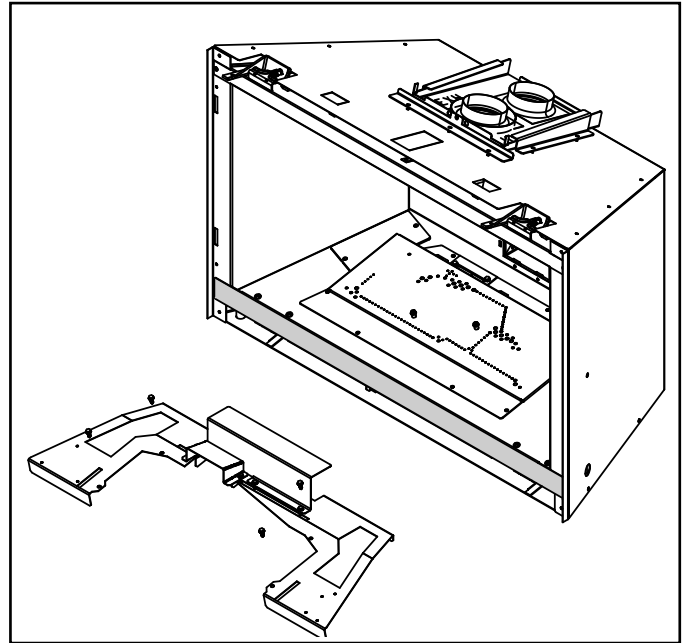


Figure 6 Base Pan Assembly Removal - Traditional

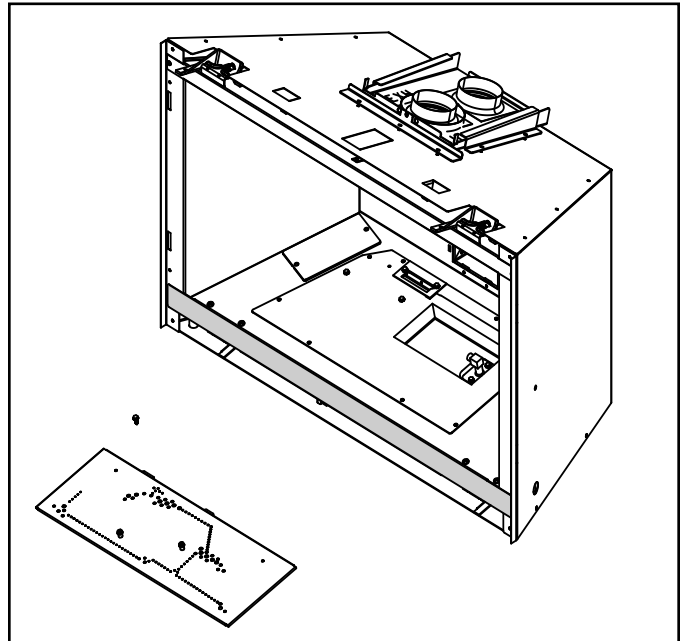


Figure 7 Remove Burner Assembly - Traditional

**For COSMO-I30-IFT, COSMO-I-35-IFT details reference Figure 8.**

13. Remove the base pan assembly by removing the screws that secure the base pan assembly to the burner assembly. See Figure 6.
14. Remove the burner assembly by removing the screw located behind the burner. See Figure 7.
15. Verify the burner orifice size to the appliance specification chart on last page. Replace the existing burner orifice.

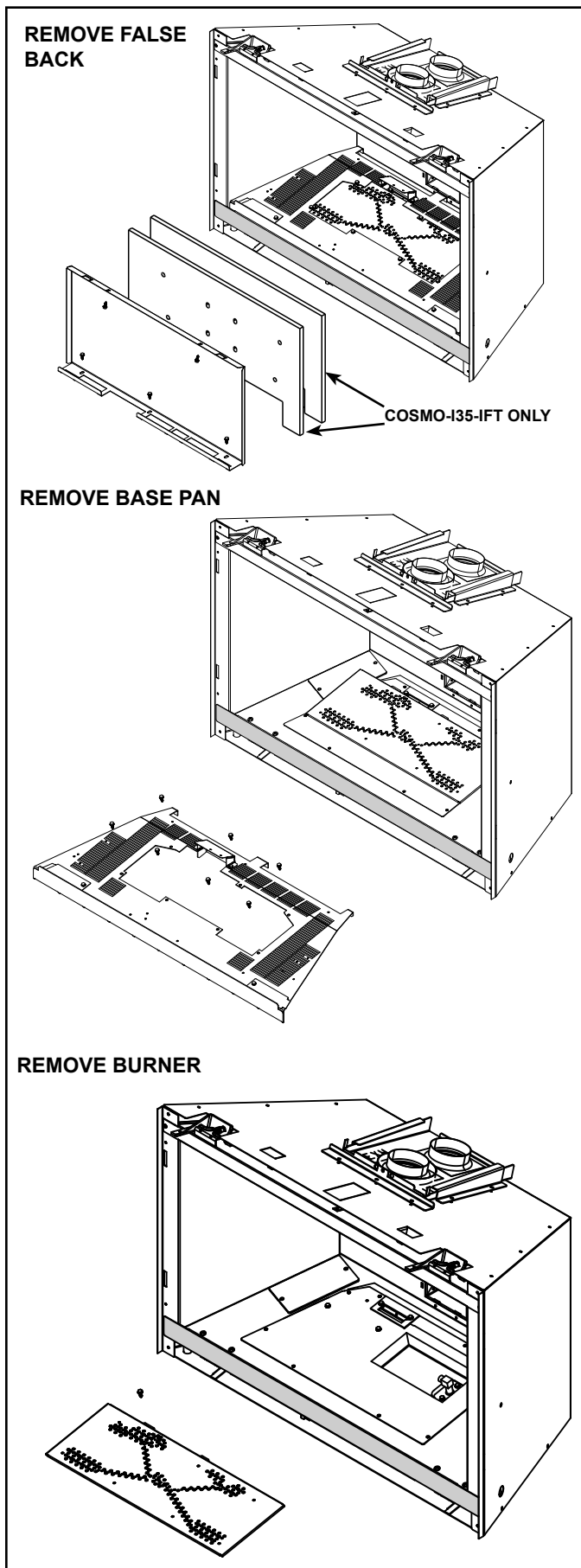


Figure 8 COSMO-IFT Details

16. Remove the pilot assembly by removing the two (2) screws.
17. Locate the ferrule fitting located beneath the pilot assembly and with a 7/16 in. wrench, loosen the nut to remove the pilot tube. For better leverage, support the base of the pilot with a 1/2 in. wrench. See Figure 9. Remove the pilot spud and replace with the pilot spud fitting included in the kit. Insert the pilot tube into the ferrule fitting and tighten the nut to secure pilot tube to the pilot assembly.

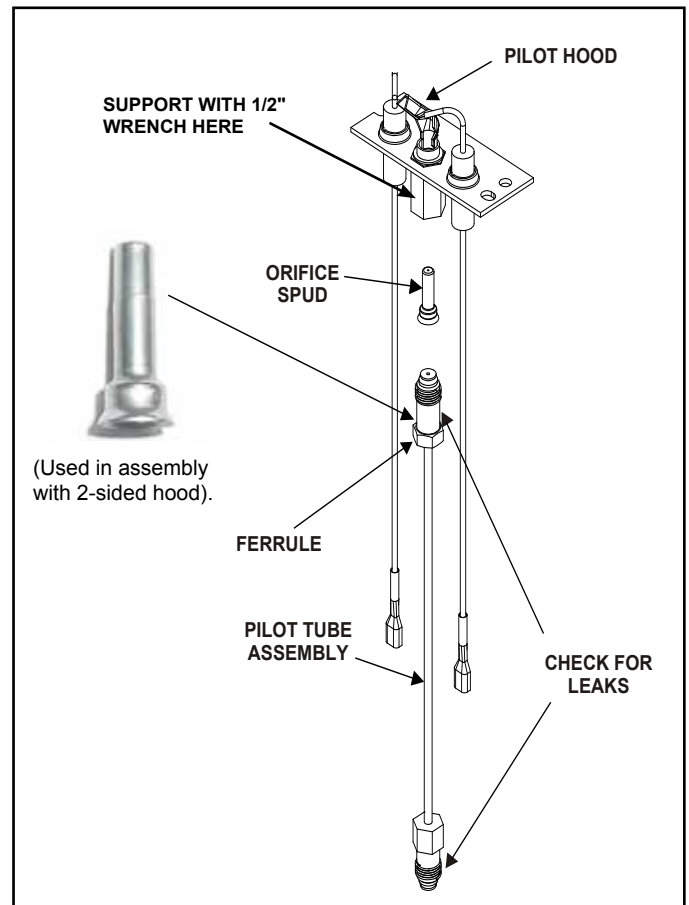


Figure 9 Pilot Assembly Detail

18. Using a small screwdriver, carefully adjust the setting on the module to the appropriate gas type. Slide the LP/NG selector switch to the right for NG or to the left for Propane. See Figure 10. Excessive force may cause damage to the module.

**Note:** The qualified service agency installing this conversion must enter the day, month, and year, and sign the conversion plate added to this appliance.

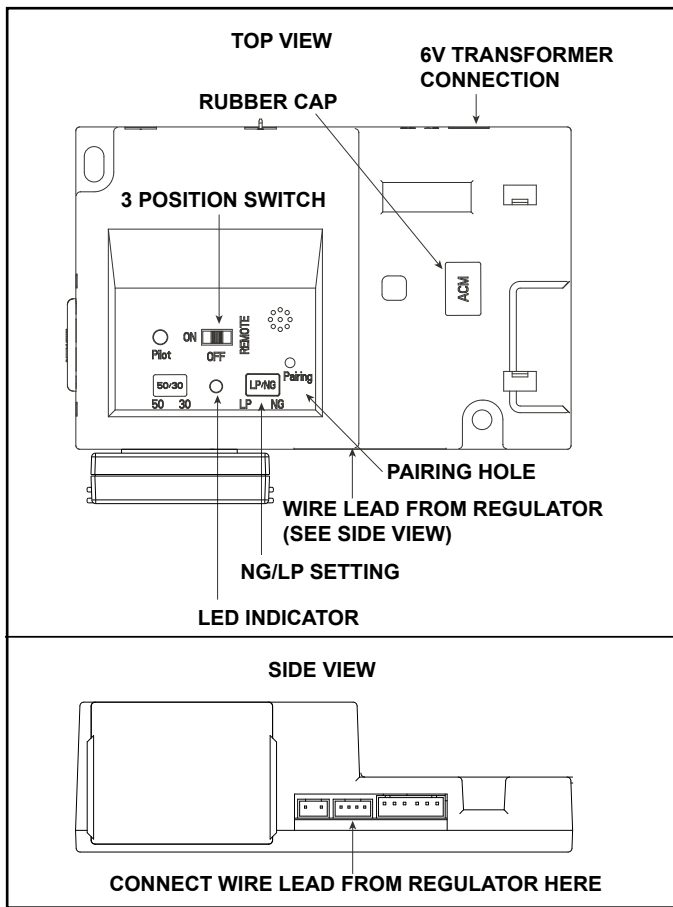


Figure 10 Module - IntelliFire Touch

19. Place the round label included with the conversion kit (NG or P) over the existing round label (NG or P) on the bottom base pan. Fill out the installer conversion label. After filling out the label, clean an area near the gas valve and attach. Place the included gas conversion plate on the upper left surface of the outer wrap.
20. Unplug the green wire from valve.
21. Turn on power to module and valve by plugging in 6 volt transformer to the module.
22. Turn on gas to valve. Red gas shutoff knob is located on ball valve. See Figure 3.
23. Turn on fireplace with the green wire disconnected from the valve. Note that only the pilot will ignite with the green wire disconnected.

**⚠ WARNING**

Shock or burn risk.

- Disconnect green wire from gas valve.

Failure to disconnect green wire could result in severe burns.

24. Use a commercially available, non-corrosive leak check solution to test for leaks around the pilot. Be sure to rinse off all leak check solution following testing. See Figure 9 for leak check points. Extinguish the pilot. Turn fireplace OFF.
25. Adjust shutter gap on burner. See Appliance Specification charts on last page for appropriate orifice size and shutter settings for each appliance type.
26. Reattach pilot assembly to the valve plate with two screws. If the gasket is compromised, replace with the gasket included with this kit.
27. Reinstall burner and secure to valve plate with one screw.
28. Reinstall green wire on valve.
29. Turn fireplace on and use a commercially available, non-corrosive leak check solution to test for leaks around the valve regulator. Shut down appliance. Be sure to rinse off all leak check solution following testing.
30. Reinstall the bottom glass clip assemblies if removed. See Figure 1.

**For COSMO-I30-IFT, COSMO-I35-IFT details reference Figure 8.**

31. Reinstall the base pan assembly and refractory.
32. Reinstall the logs by following the log placement instructions in the appliance installation manual.
33. Reinstall the glass seal plate. See Figure 1.

**WARNING!** *Glass seal plate must be properly installed. Risk of elevated component temperatures and carbon monoxide exposure.*

34. Reinstall the glass assembly. See appliance manual for details.
35. Turn on fireplace to check for proper burner flame pattern.
36. Verify that the signed and dated conversion plate has been added to appliance.

**Verify the performance of the ignition system.**

1. Verify pilot sparks, pilot lights, pilot stops sparking, and the main burner turns "ON".
2. Turn fireplace OFF. Verify that both the pilot and burner are turned "OFF".
3. Repeat Step 1 above.
4. With burner "ON", remove green wire connected to valve. The main burner should shut "OFF"
5. Reattach green wire to valve.
6. Turn the fireplace OFF.
7. Turn the fireplace ON.
8. With the main burner "ON", remove orange wire connected to the valve. The pilot and burner should go out, and the pilot will start to spark.
9. Turn fireplace "OFF" and reattach orange wire to valve.

## Natural Gas Appliance Specifications

**MAXIMUM                      MINIMUM**

- Inlet Gas Pressure: .....10.0 in. w.c. ....5.0 in. w.c.
- Manifold Gas Pressure: .....3.5 in. w.c. ....1.7 in. w.c.
- Input Rate:.....See Below

When installing above 2000 feet elevation:

- In the USA: Reduce input rate 4% for each 1000 feet above 2000 feet.
- In CANADA: Input ratings are certified without a reduction of input rate for elevations up to 4500 feet (1370 m) above sea level. Please consult provincial and/or local authorities having jurisdiction for installations at elevations above 4500 feet (1370 m).
- See appliance installation manual for details.

Models	Orifice #	Shutter	BTU Max.	BTU Min.
<b>SUPREME-I25-IFT</b>	40	1/2 in.	27,000	18,900
<b>SUPREME-I30-IFT</b>	35	1/2 in.	32,700	22,890
<b>SUPREME-I30-BIR</b>	33	1/2 in.	32,700	22,800
<b>SUPREME-I35-IFT</b>	33	3/8 in.	35,000	24,500
<b>COSMO-I30-IFT</b>	38	1/2 in.	28,000	19,600
<b>COSMO-I35-IFT</b>	37	3/8 in.	30,000	21,000
<b>RUBY25IN</b>	40	1/4 in.	27,000	18,900
<b>RUBY30IN</b>	35	1/2 in.	32,700	22,890
<b>RUBY35IN</b>	33	3/8 in.	35,000	24,500
<b>EXCURSION-I / TRILLIANT25IN</b>	40	3/16 in.	27,000	18,900
<b>EXCURSION-II / TRILLIANT30IN</b>	35	3/8 in.	32,700	22,890
<b>EXCURSION-III / TRILLIANT35IN</b>	33	3/8 in.	35,000	24,500

## Propane Gas Appliance Specifications

**MAXIMUM                      MINIMUM**

- Inlet Gas Pressure: .....13.0 in. w.c. ....11.0 in. w.c.
- Manifold Gas Pressure: .....10.0 in. w.c. ....5.5 in. w.c.
- Input Rate:.....See Below

When installing above 2000 feet elevation:

- In the USA: Reduce input rate 4% for each 1000 feet above 2000 feet.
- In CANADA: Input ratings are certified without a reduction of input rate for elevations up to 4500 feet (1370 m) above sea level. Please consult provincial and/or local authorities having jurisdiction for installations at elevations above 4500 feet (1370 m).
- See appliance installation manual for details.

Models	Orifice #	Shutter	BTU Max.	BTU Min.
<b>SUPREME-I25-IFT</b>	53	1/2 in.	25,000	17,500
<b>SUPREME-I30-BIR</b>	51	FULL OPEN	32,000	22,400
<b>SUPRM-I30LP-IFT</b>	51	FULL OPEN	32,000	22,400
<b>SUPREME-I35-IFT</b>	50	FULL OPEN	35,000	24,500
<b>COSMO-I30-IFT</b>	.058 in.	FULL OPEN	23,000	16,100
<b>COSMO-I35-IFT</b>	1.55 mm	FULL OPEN	28,000	19,600
<b>RUBY25IL</b>	53	1/2 in.	25,000	17,500
<b>RUBY30IL</b>	51	FULL OPEN	32,000	22,400
<b>RUBY35IL</b>	50	FULL OPEN	35,000	24,500
<b>EXCURSION-I / TRILLIANT25IN</b>	53	3/8 in.	25,000	17,500
<b>EXCURSION-II / TRILLIANT30IN</b>	51	FULL OPEN	32,000	22,400
<b>EXCURSION-III / TRILLIANT35IN</b>	50	1/2 in.	35,000	24,500