

MSFR-36-BK Decorative Front MSEP-36-BK End Panel

Models: PIER-DV36IN / ST-DV36IN
Installation Instructions



Leave this manual with party responsible for use and operation.

CAUTION! Risk of Cuts, Abrasions or Flying Debris.
Wear protective gloves and safety glasses during installation. Sheet metal edges are sharp.

DANGER



HOT GLASS WILL CAUSE BURNS.

DO NOT TOUCH GLASS UNTIL COOLED.

NEVER ALLOW CHILDREN TO TOUCH GLASS.

A barrier designed to reduce the risk of burns from the hot viewing glass is provided with this appliance and must be installed for the protection of children and other at-risk individuals.

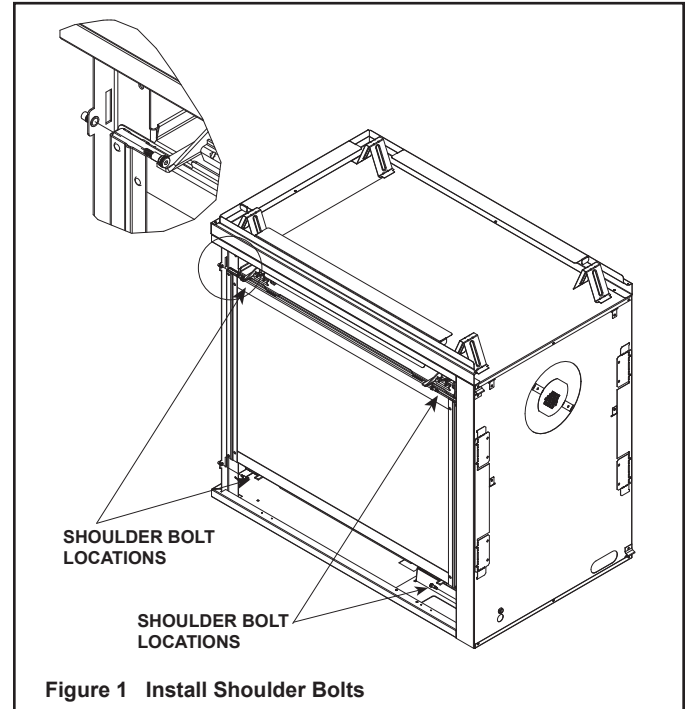


Figure 1 Install Shoulder Bolts

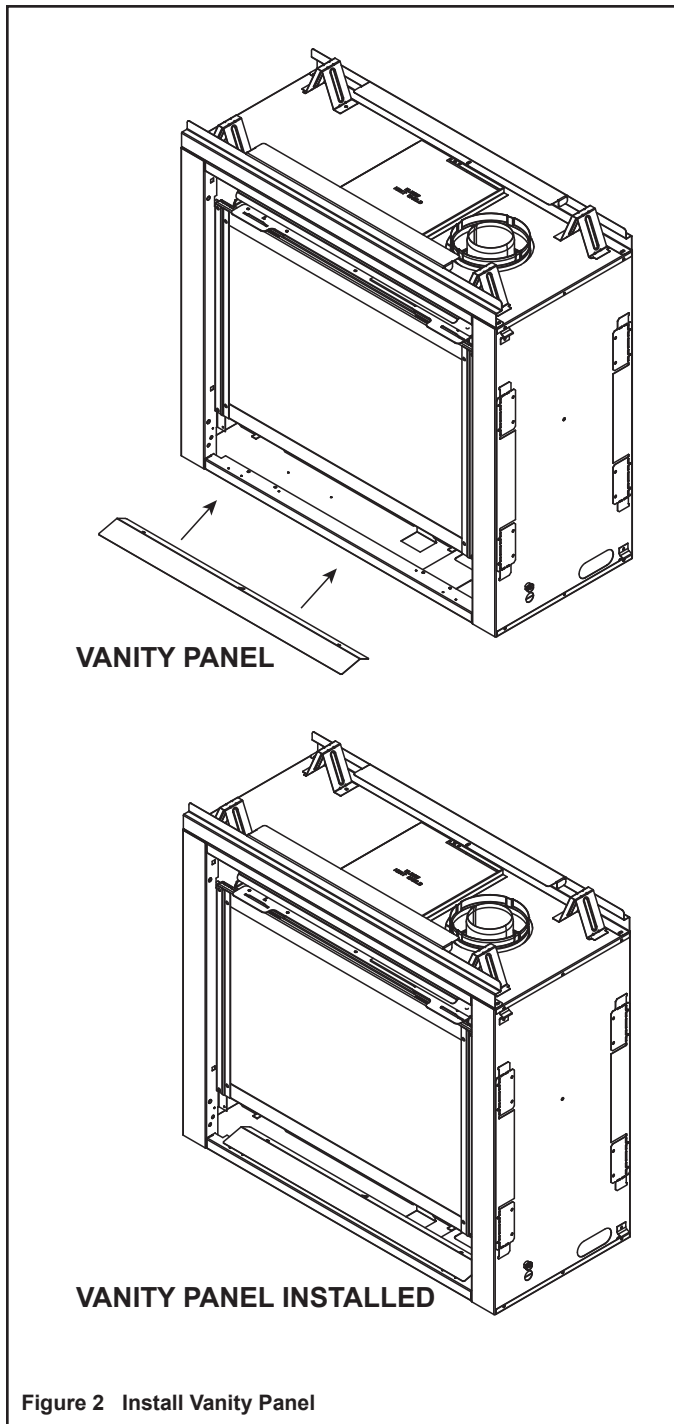
WARNING! Risk of Fire! Combustible materials **MUST NOT** overlap or be placed behind a decorative front.

CAUTION! Do not install damaged components.

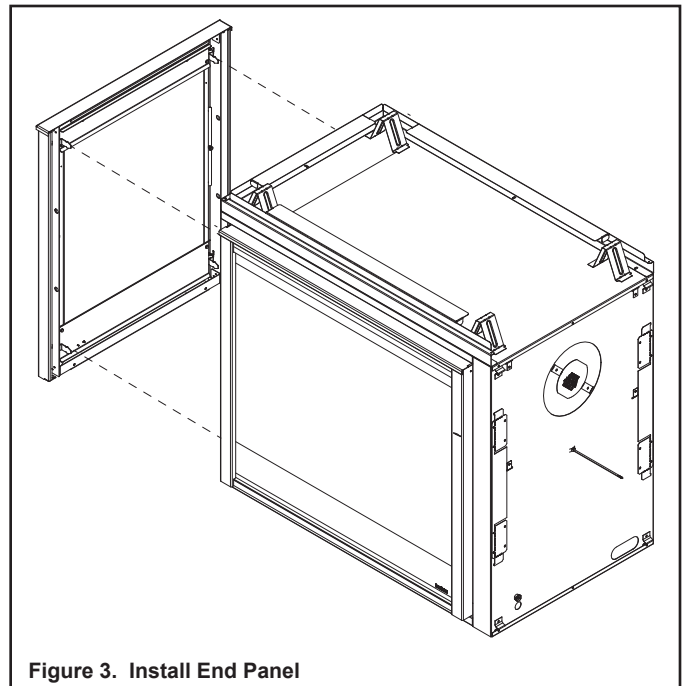
INSTALLATION

The installation process is identical for the ST-DV36IN and the PIER-DV36IN. Figures show the PIER-DV36IN.

1. Remove end panel and decorative front components from packaging.
2. Install 4 shoulder bolts on each side of appliance. See Figure 1. Shoulder bolts are supplied with decorative fronts.
3. Install vanity panel by placing it inside the appliance with the front of the panel resting on the bottom lip of the appliance to conceal the components. See Figure 2.



4. Install End panel onto appliance by carefully aligning J-hooks on back of end panel with slots in vertical end component of appliance. See Figure 3. End panel will drop into location with J-hook seated in slot.



5. Visually inspect J-Hook connection points to assure proper placement. See Figure 4.

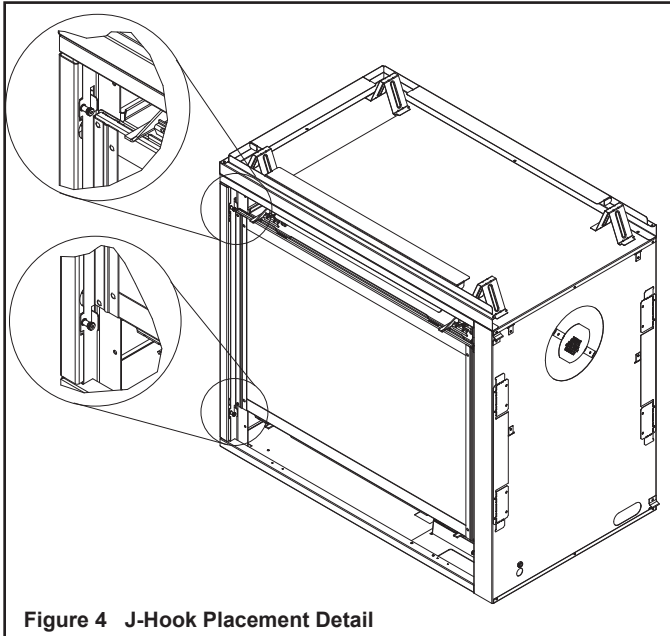


Figure 4 J-Hook Placement Detail

6. Install Decorative fronts on each side of appliance per instructions included with decorative fronts. Pull gently on both decorative fronts and end panel to ensure that J-Hooks are seated properly and securely on shoulder bolts. See Figure 5 and Figure 6.

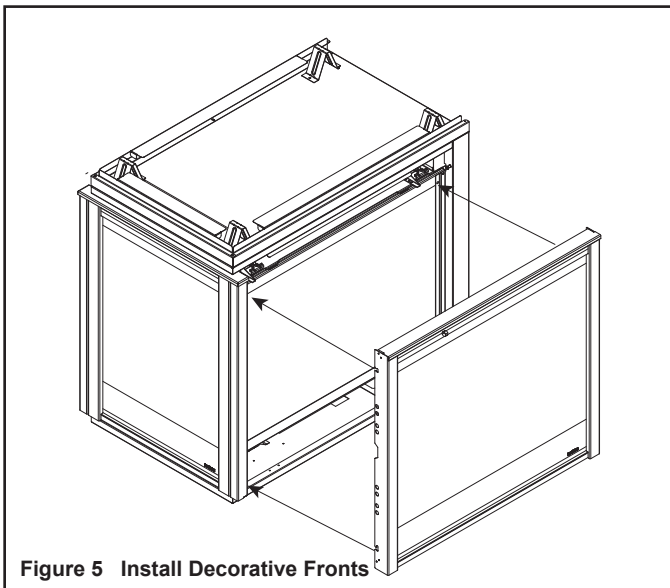


Figure 5 Install Decorative Fronts

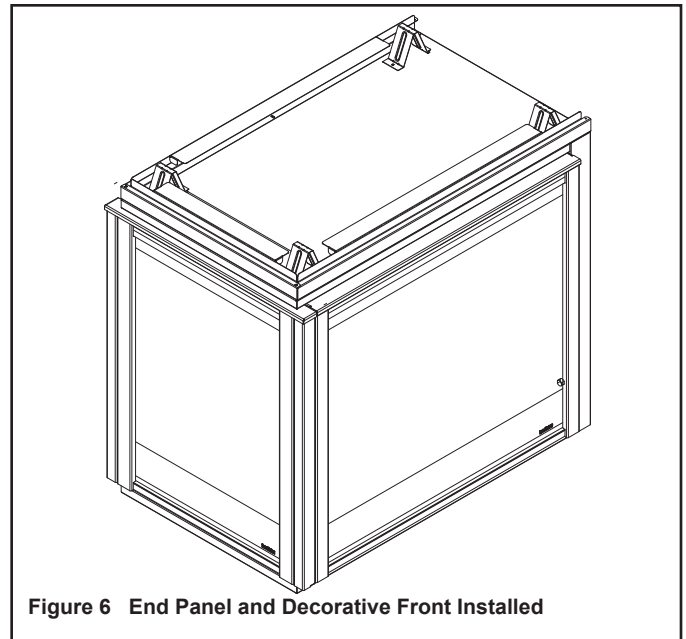


Figure 6 End Panel and Decorative Front Installed

Cleaning Instructions for End Panels and Decorative Fronts

Use a microfiber cloth and Windex® Original Glass Cleaner or 03M003 Stove Bright® Glass Cleaner to clean the end panel and decorative front immediately after installation to remove acids deposited by the installer or technician. Spray the cleaner onto the microfiber cloth and carefully wipe the entire surface. The end panel and decorative front should be cleaned in this manner annually by the homeowner to remove fingerprints or other contaminants. Once oxidation of the paint pigment has occurred, cleaning will not restore the original color.

Please contact your Hearth & Home Technologies dealer with any questions or concerns.
For the location of your nearest Hearth & Home Technologies dealer,
please visit www.hearthnhome.com.

Hearth & Home Technologies
7571 215th Street West, Lakeville, MN 55044
www.hearthnhome.com