



OUTDOOR FIRE FEATURES





Lanai 48" shown with clean face trim and Driftwood Logs

LANAI OUTDOOR GAS FIREPLACE

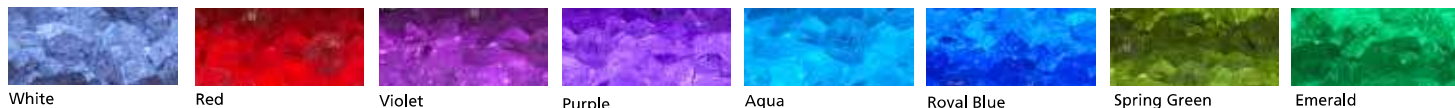
Light up your landscape with our best and brightest, the Lanai linear outdoor gas fireplace. The night comes alive with glowing flames and a colorful crushed glass firebed reflected in stainless steel as you create a contemporary vibe to your outdoor space.

- Modern linear design in 48", 60" and stunning 48" see-through models
- LED lighting in eight colors (choose one or cycle) and three intensity levels
- Stainless-steel interior to reflect and magnify the flames
- Durable with rust-resistant, stainless-steel construction
- Safe operation with IntelliFire® Ignition System monitoring
- Weatherproof wall control to run your fireplace and change LED colors
- No chimney or venting needed, blends anywhere into your space
- Glass wind guard to keep flame pattern steady and strong

Optional features

- Add a layer of safety with an optional screen to protect and prevent debris from entering the fireplace
- Add optional ceramic stone or driftwood logs for a touch of customization
- Ensure even longer life with a drain pan that moves moisture away from the fireplace

LED Lighting



Lanai See-Through 48" shown with stone kit



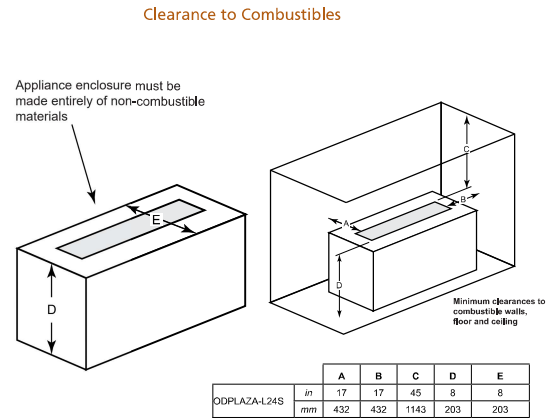
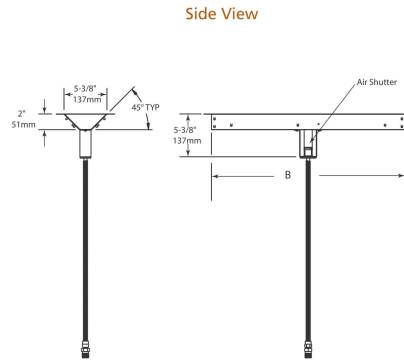
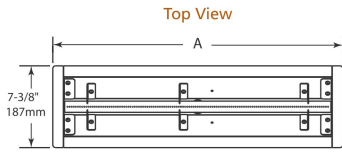
Wall Control



Safety Screen

PLAZA

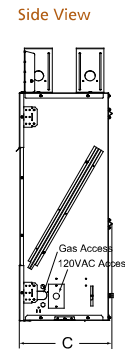
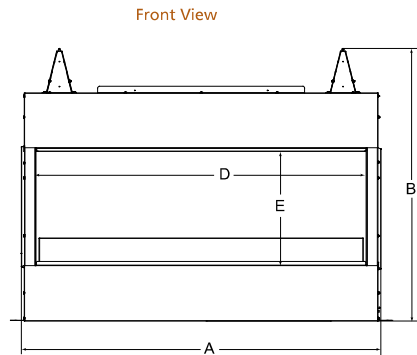
Model	Length	Width	Depth	Viewing Area	BTU/hr Input
Plaza-24"	24" [610]	5-3/8" [137]	5-3/8" [137]	24" x 5-3/8" [613 x 137]	32,000



	A	B
Starter Kit	26" (660 mm)	24" (610mm)
Starter Kit + 1 Extension	50" (1,270mm)	48" (1,219mm)
Starter Kit + 2 Extensions	74" (1,880mm)	72" (1,829mm)
Starter Kit + 3 Extensions	98" (2,489mm)	96" (2,438mm)
Starter Kit + 4 Extensions	122" (3,099mm)	120" (3,048mm)

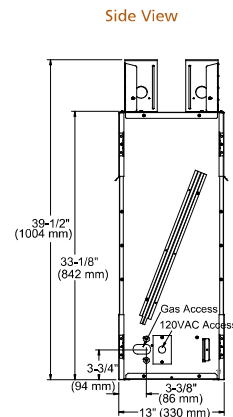
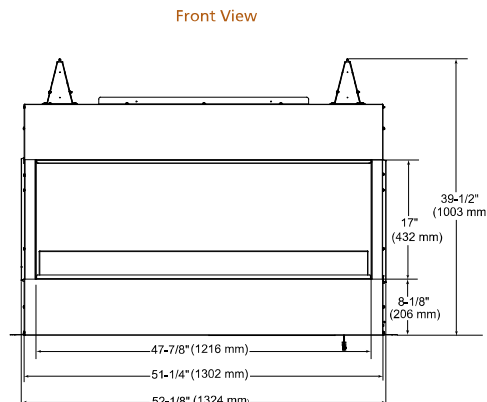
LANAI

Model	Front Width (A)		Height (B)		Depth (C)		Viewing Area (D x E)	BTU/hr Input
	Unit	Framing	Unit	Framing	Unit	Framing		
Lanai 48"	52-1/8" [1324]	52-3/4" [1340]	39-1/2" [1003]	39-3/4" [1009]	13-3/8" [340]	13-7/8" [352]	47-7/8" x 17" [1216 x 432]	55,000
Lanai 60"	64-1/8" [1629]	64-3/4" [1645]	39-1/2" [1003]	39-3/4" [1009]	13-3/8" [340]	13-7/8" [352]	60" x 17" [1524 x 432]	65,000



LANAI SEE-THROUGH

Model	Width		Height		Depth		Viewing Area	BTU/hr Input
	Unit	Framing	Unit	Framing	Unit	Framing		
Lanai See-Through 48"	52-1/8" [1324]	52-3/4" [1340]	39-1/2" [1003]	39-3/4" [1009]	13" [330]	13-7/8" [352]	47-7/8" x 17" [1216 x 432]	55,000



OUTDOOR FIREPLACES

Living rooms aren't what they used to be. It's time to discard the stale notion that a "living space" is only contained within the walls of your home. Our innovative products make it easy to extend your living into the outdoors. Think of it as adding a new room to your home—an outdoor living room. See how Outdoor Lifestyles by Hearth & Home Technologies can transform your outdoor space.

For complete information and valuable assistance on these products, contact us at:

outdoor 
lifestyles
by hearth & home technologies®

800-927-6841
fireplaces.com

Limited Warranty**

Hearth & Home Technologies guarantees protection for all products in this brochure for a period of one year from the date of purchase.

The information provided in this literature is for planning purposes only and subject to change. The flame and ember appearance may vary based on the type of fuel burned and venting configuration used. Actual product appearance, including flame, may differ from product images.

*Please consult the MSRP book for a complete list of optional accessories.

**For full warranty details, see appropriate installation manual.

©2021 Hearth & Home Technologies.



HHT-1032U-0521