

PIPE ADAPTER KIT MODELS MBSLP, MPSLP, SLPMP

Installation and Operating Instructions

Model	Part	Quantity
MBSLP	Self-tapping #8 screws	6
MBSLP	Outside adapter ring	1
MBSLP	Inside adapter ring	1

Model	Part	Quantity
MPSLP	Self-tapping #8 screws	6
MPSLP	Outside adapter ring	1
MPSLP	Inside adapter ring	1

Model	Part	Quantity
SLPMP	Self-tapping #8 screws	9
SLPMP	Outside adapter ring	1
SLPMP	Inside adapter ring	1

NOTE: The quantities listed above are for installation of a single adapter only. Model numbers MBSLP, MPSLP, SLPMP are bulk kits containing eight adapters.

WARNING!

Refer to your fireplace homeowner's manual for the minimum and maximum venting requirements of your fireplace and for approved horizontal vent termination locations prior to installation. Failure to do so may cause a fire hazard.

CAUTION

All Vermont Castings Group direct vent fireplaces have been tested and approved to ANSI standards and will operate safely when installed in accordance with this instruction manual. Read all instructions before starting installation, then follow these instructions carefully to maximize fireplace performance and safety. Report damaged parts to your dealer.

Model: MPSLP

VCG pipe to SLP 6⁵/₈" direct vent pipe.

The MPSLP adapter is used to connect VCG 4 x 7 twist-lock pipe to SLP 6⁵/₈" x 4" direct vent pipe. (Fig. 1)

Installation Instructions

1. Place a 3/8" bead of millpack caulk around the crimped end that inserts into the 4" inner adapter and insert into the 4" inner VCG twist-lock pipe, pressing down firmly and secure with three (3) self-tapping screws.
2. Place a 3/8" bead of millpack caulk around the crimped end that inserts into the 7" outer adapter and insert into the 7" VCG twist-lock pipe, pressing down firmly and secure with three (3) self-tapping screws.
3. Place a 3/8" bead of millpack caulk around the outside of the 4" inner adapter. Insert the 6⁵/₈" x 4" SLP pipe onto the inner and outer adapter rings, pressing down firmly and twisting to lock into place.

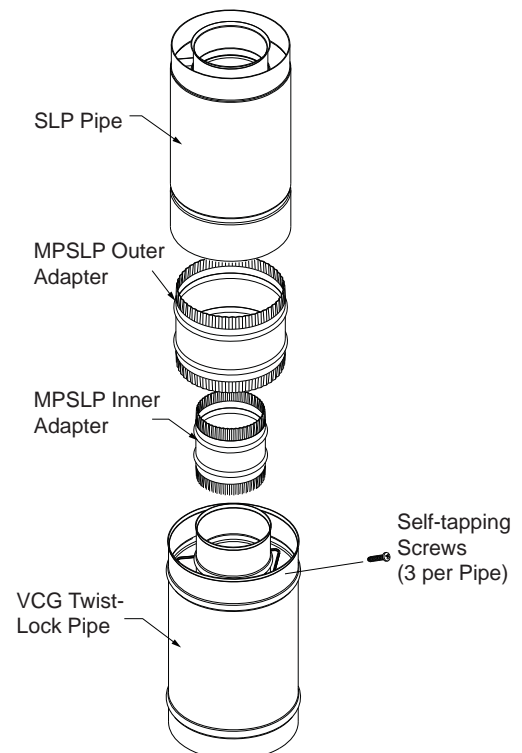


Figure 1

Model: SLPMP

SLP direct vent pipe or unit to VCG pipe.

The SLPMP adapter is used to connect SLP 6 $\frac{5}{8}$ " x 4" direct vent pipe or unit to VCG 4 x 7 twist-lock pipe. (Fig. 2)

Installation Instructions

1. Place a small 3/8" bead of millpack caulk around the crimped end that inserts into the 4" SLP pipe or starter collar. Insert the 4" inner adapter into the 4" inner starting collar firmly and secure with three (3) self-tapping screws.
2. Slide the 7" outer adapter over the 6 $\frac{5}{8}$ " SLP pipe and secure with three (3) self-tapping screws. (It is not necessary to use caulk with the outer ring.)
3. Place a 3/8" bead of millpack caulk around the outside of the 4" inner adapter and the outside of the outer adapter. Slide the VCG 4" x 7" twist-lock pipe over adapters, pressing down firmly and securing with three (3) self tapping screws.

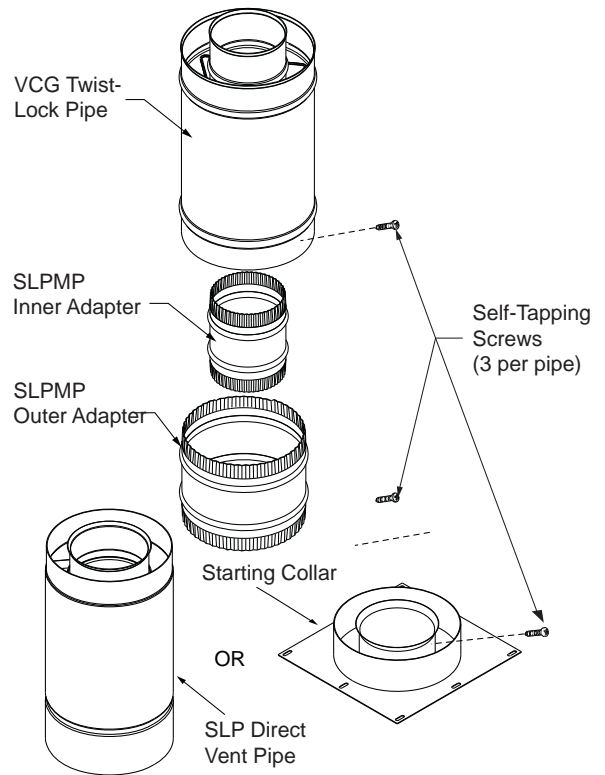


Figure 2

Model: MBSLP

VCG unit to SLP direct vent pipe.

The MBSLP adapter is used to attach a VCG unit with 4 x 7 starting collars to SLP 6 $\frac{5}{8}$ " x 4" direct vent pipe. The kit includes a 4" inner and 6 $\frac{5}{8}$ " outer adapter ring. (Fig. 3)

The inner and outer adapter rings are required to start the SLP pipe and must be used at the fireplace starting collar.

Installation Instructions

1. Place a 3/8" bead of millpack caulk around the crimped end that inserts into the 4" starting collar. Insert the 4" inner adapter into the 4" inner starting collar firmly and secure with three (3) self-tapping screws.
2. Place a 3/8" bead of millpack caulk on the outside of the 7" outer adapter crimp. Insert the 7" outer adapter into the 7" outer starting collar and secure with three (3) self-tapping screws and a 3/8" bead of millpack around the outer ring.
3. Place a 3/8" bead of millpack caulk around the other 4" crimped end of the adapter, slide the SLP 6 $\frac{5}{8}$ " x 4" pipe securely down over the adapter and secure by twisting to lock pipe in place.

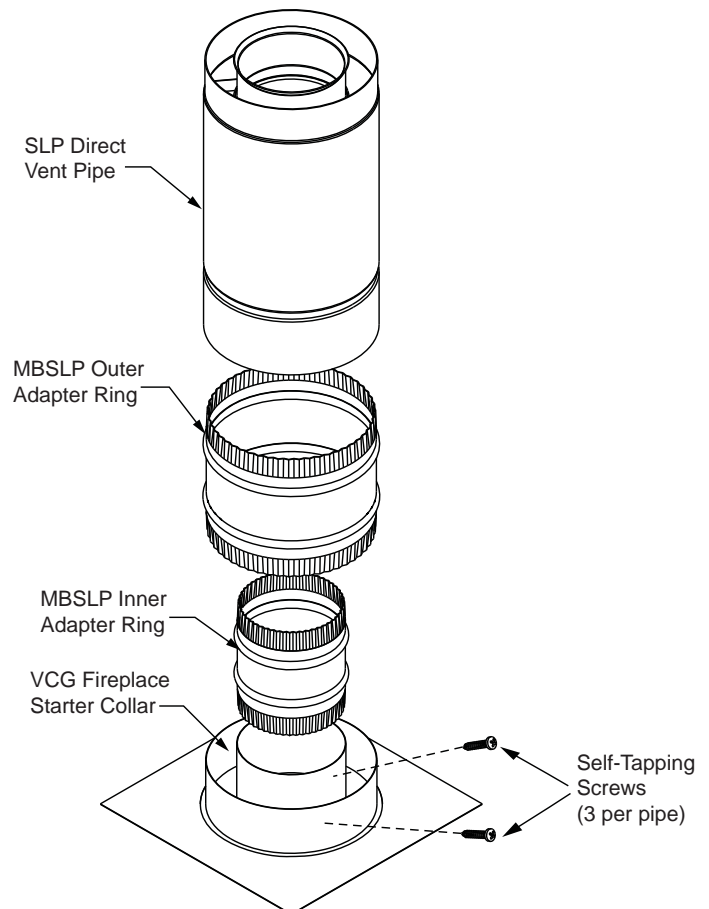


Figure 3