

# IntelliFire Touch® Gas Conversion Instructions

MODELS: QUARTZPLA36IN / QUARTZPLA36IL

## Conversion Instructions

This conversion shall be installed by a qualified service agency.

Any damaged valve components should not be installed. If a valve or regulator has been dropped or appears to have been modified, the valve or regulator should not be installed.

Conversion Component list:

- Burner Orifice
- Pilot Orifice
- Gas Conversion Plate
- Gas Label
- Gas Valve Regulator

**CAUTION: THE GAS SUPPLY SHALL BE SHUT OFF PRIOR TO DISCONNECTING THE ELECTRICAL POWER BEFORE PROCEEDING WITH THE CONVERSION.**

### WARNING:

This Conversion kit shall be installed by a qualified service agency in accordance with the manufacturer's instructions and all applicable code and requirements of the authority having jurisdiction. If the information in these instructions is not followed exactly, a fire, explosion or production of carbon monoxide may result causing property damage, personal injury or loss of life. The qualified service agency is responsible for the proper installation of this kit. The installation is not proper and complete until the operation of the converted appliance is checked as specified in the manufacturer's instructions supplied with the kit.

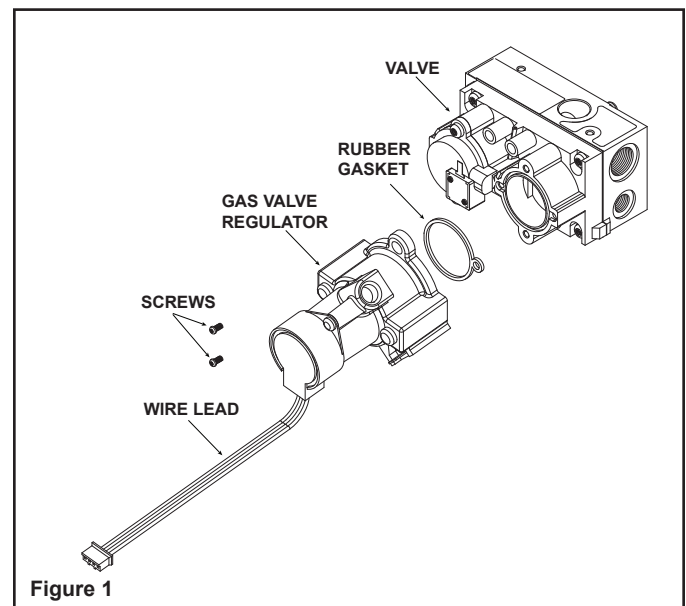
### Procedure for conversion:

1. Switch control module to OFF mode using selector switch. See Figure 2.
2. Turn off power to module and valve by unplugging 6V transformer from junction box.
3. Turn off gas to valve. Red gas shutoff knob is located on ball valve.
4. Remove the media, media tray, hearth components, logs and refractory from the appliance.
5. Using a #20 tamper-proof Torx screwdriver, remove the regulator and rubber gasket on face of valve. See Figure 1. Disconnect wire lead from module. See Figure 2. 2. Discard both the regulator and gasket.

**NOTICE:** Selector Switch on module **MUST** be in **OFF** mode before valve regulator lead can be connected or disconnected from valve.

6. Install the new regulator with the new rubber gasket included in the conversion kit. Be sure the gasket is seated properly. See Figure 1. Connect the wire lead from the regulator to the module. See Figure 2.
7. Adjust the setting on the module to the appropriate gas type. See Figure 2.

	<b>⚠ WARNING</b>	
	Fire Risk Explosion Risk Gas Leak Risk	
	<ul style="list-style-type: none"><li>• Rubber gasket must be seated properly on valve face.</li><li>• Do not install a valve or regulator that has been dropped.</li></ul>	



# IntelliFire Touch®

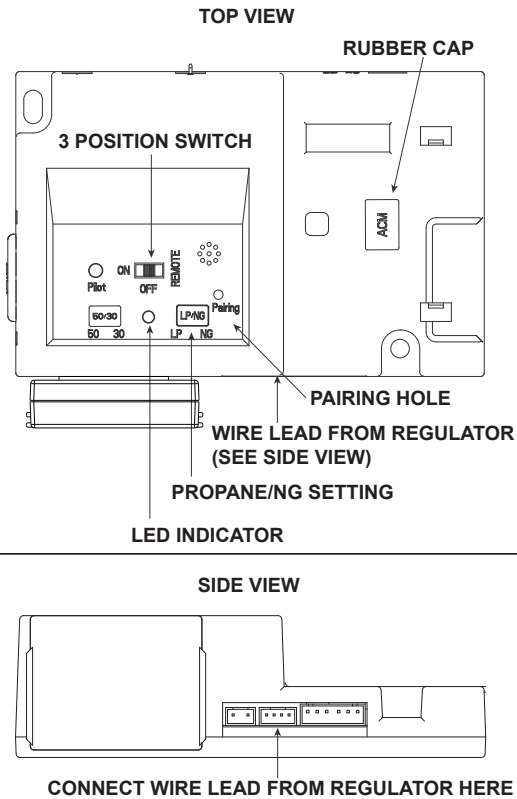


Figure 2. IntelliFire™ Plus and IntelliFire™ Touch Modules

**Note:** The qualified service agency installing this conversion must enter the day, month, and year, and sign the conversion plate added to this appliance.



## ⚠ WARNING

Shock or burn risk.  
 • Disconnect green wire from gas valve.  
 Failure to disconnect green wire could result in severe burns.

13. Turn on power to module and valve.
14. Turn on fireplace with the green wire disconnected from the valve.
15. Use a commercially available, noncorrosive leak check solution to test for leaks around the pilot. Be sure to rinse off all leak check solution following testing. See Figure 3 for leak check points. Extinguish the pilot.
16. Adjust the burner shutter setting. See Appliance specifications charts on page 4 for the appropriate orifice size and shutter settings for each gas type. The listed shutter settings are for appliances with the minimum vertical vent run. If your installation has more than the minimum required vertical vent length (refer to the appliance installation manual), adjustment of the air shutter may be necessary to obtain optimal flame appearance.
17. Install burner assembly securing it with two screws. Replace the pilot assembly by sliding it into the slots located on the left side of the pilot bracket and securing the pilot assembly with one screw. See Figure 4.

8. Remove the one screw connecting the pilot assembly to the pilot bracket. Reposition the pilot assembly outside the bracket to remove the burner. Shift pilot slightly to the right while pushing pilot back off of the pilot bracket. See Figure 4.
9. Remove the burner from the appliance by removing the two screws on the left side of the burner leg. Slide the burner forward in order to disengage the burner from the air shutter. See Figure 4.
10. Remove the main burner orifice and replace it with the orifice included in the conversion kit. See appliance specification chart on page 4 for appropriate orifice size and shutter settings for each gas type.
11. Remove the gas supply tube fitting coming into the bottom of the pilot assembly. See Figure 3. Gently tap the pilot base if the pilot orifice doesn't come out. Replace the pilot orifice with the one included in the conversion kit. Reattach the pilot supply tube to the pilot assembly.
12. Place the round NG (Natural Gas) or P (Propane) label over the existing round (P or NG) label on the bottom base pan. Place the conversion plate adjacent to the existing rating plate.

**Note:** Appearance of pilot may vary.

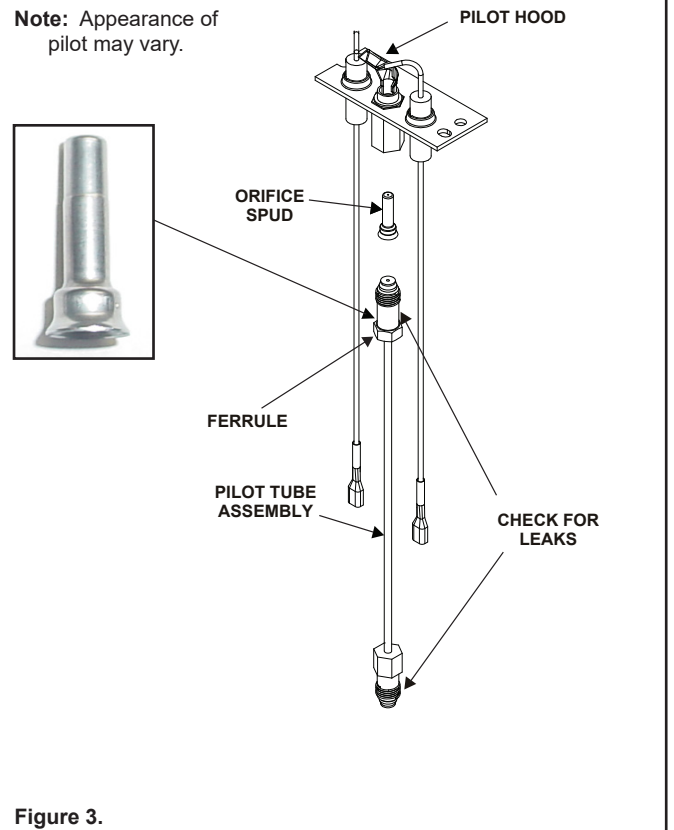



Figure 3.

	<b>⚠ WARNING</b>
	<p>Explosion Risk</p> <ul style="list-style-type: none"> <li>• Pilot must be reattached to burner shield.</li> <li>• Delayed ignition or an explosion may occur if the pilot is not attached to the burner shield</li> </ul>

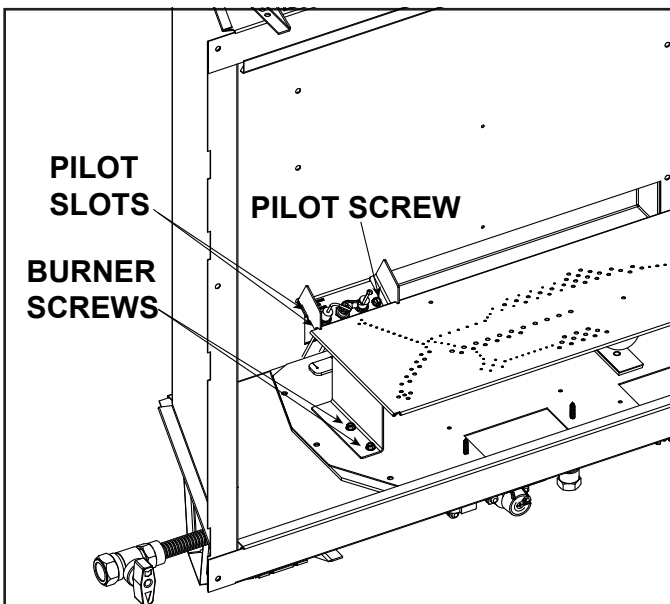


Figure 4. Screw and Pilot Slot Locations

**Verify the performance of the ignition system.**

1. Turn fireplace on. Verify pilot sparks, pilot lights, pilot stops sparking, and the main burner turns "ON."
2. Turn fireplace OFF. Verify that the both the pilot and burner turn "OFF."
3. Repeat Step 1 above.
4. With burner "ON," remove green wire connected to valve. The main burner should shut "OFF."
5. Turn fireplace "OFF" and reattach green wire.
6. Repeat Step 1 (above).
7. With the main burner "ON", remove orange wire connected to the valve. The pilot and burner should go out.
8. Turn fireplace "OFF" and reattach orange wire to the valve.

18. Reinstall green wire on valve. Use a commercially available, noncorrosive leak check solution to test for leaks around the valve regulator. Be sure to rinse off all leak check solution following testing. Relight burner to test. Turn appliance off to finish reassembly.
19. Reinstall logs, refractory, hearth components, media tray and media by following the instructions in the appliance installation manual.
20. Reinstall the glass assembly.
21. Verify that the signed and dated conversion plate has been added to appliance.
22. Reinstall the decorative front.

## Natural Gas Appliance Specifications

MAXIMUM                      MINIMUM

- Inlet Gas Pressure: ..... 10.0 in. w.c. ..... 5.0 in. w.c.
- Manifold Gas Pressure: ..... 3.5 in. w.c. ..... 1.0 in. w.c.
- Input Rate:..... See Below

When installing above 2000 feet elevation:

- In the USA: Reduce input rate 4% for each 1000 feet above 2000 feet.
- In CANADA: Input ratings are certified without a reduction of input rate for elevations up to 4500 feet (1370 m) above sea level. Please consult provincial and/or local authorities having jurisdiction for installations at elevations above 4500 feet (1370 m).

Models	Orifice #	Shutter*	BTU Max.	BTU Min.
QUARTZPLA36IN	37	3/16 in.	30,500	15,000

\*The listed shutter settings are for appliances with the minimum vertical vent run. If your installation has more than the minimum required vertical vent length (refer to the appliance installation manual), adjustment of the air shutter may be necessary to obtain optimal flame appearance.

## Propane Gas Appliance Specifications

MAXIMUM                      MINIMUM

- Inlet Gas Pressure: ..... 13.0 in. w.c. ..... 11.0 in. w.c.
- Manifold Gas Pressure: ..... 10.0 in. w.c. ..... 2.7 in. w.c.
- Input Rate:..... See Below

When installing above 2000 feet elevation:

- In the USA: Reduce input rate 4% for each 1000 feet above 2000 feet.
- In CANADA: Input ratings are certified without a reduction of input rate for elevations up to 4500 feet (1370 m) above sea level. Please consult provincial and/or local authorities having jurisdiction for installations at elevations above 4500 feet (1370 m).

Models	Orifice #	Shutter*	BTU Max.	BTU Min.
QUARTZPLA36IL	52	Full Open	29,500	15,000

\*The listed shutter settings are for appliances with the minimum vertical vent run. If your installation has more than the minimum required vertical vent length (refer to the appliance installation manual), adjustment of the air shutter may be necessary to obtain optimal flame appearance.