

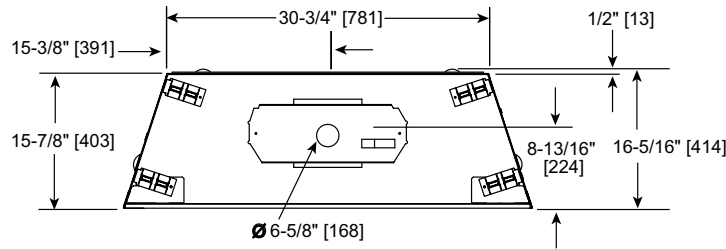
MAJESTIC

Please consult the manufacturer's installation manual for all details and requirements before making a final design layout decision.

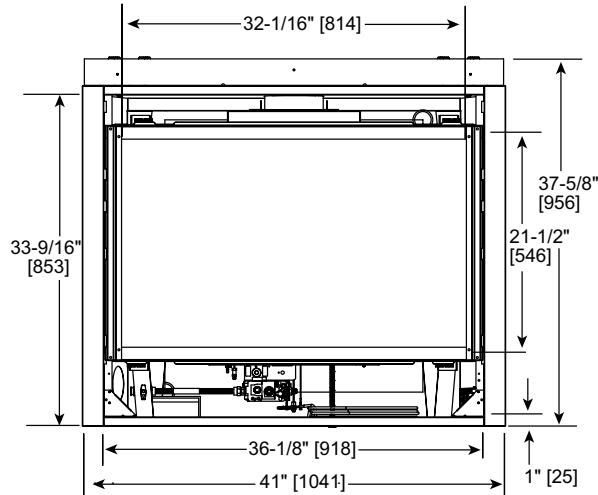
QUARTZ PLATINUM
Direct Vent Gas Fireplace

MODEL	HEIGHT		FRONT WIDTH		BACK WIDTH		DEPTH		GLASS SIZE
	ACTUAL	FRAMING	ACTUAL	FRAMING	ACTUAL	FRAMING	ACTUAL	FRAMING	
QUARTZPLA36IN 30,500 BTU (NG) 29,500 BTU (LP)	37-7/8" [962]	38-1/4" [972]	41" [1041]	42" [1067]	30-3/4" [781]	42" [1067]	16-5/16" [414]	16-1/4" [413]	32-1/16" x 21-1/12" [814 X 546]

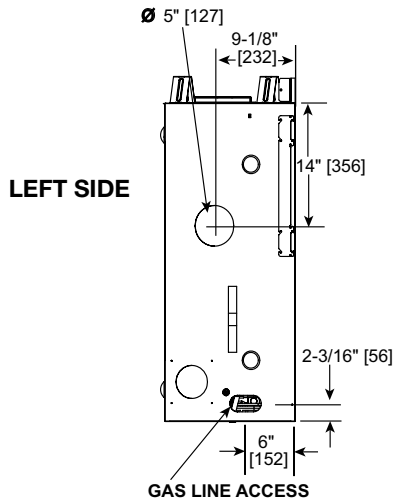
TOP VIEW



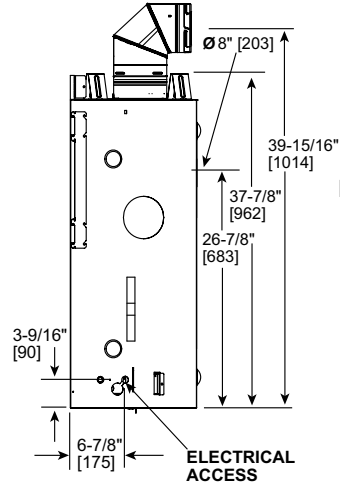
FRONT VIEW



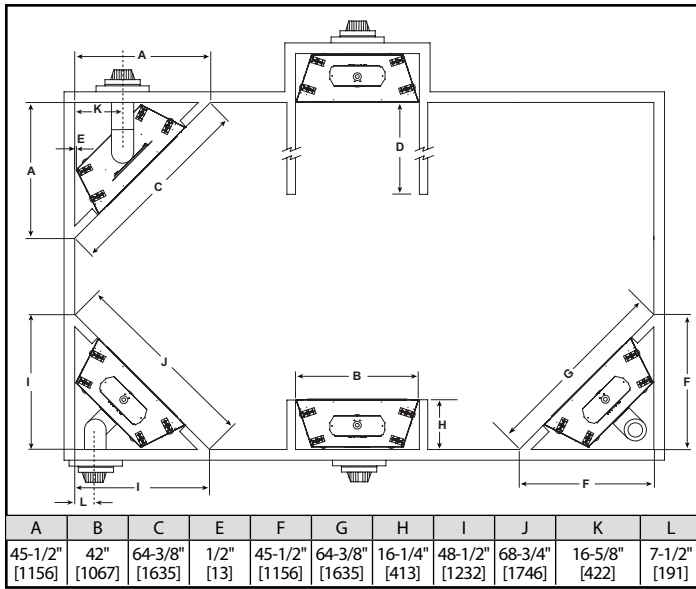
HEAT MANAGEMENT SYSTEMS ACCESS



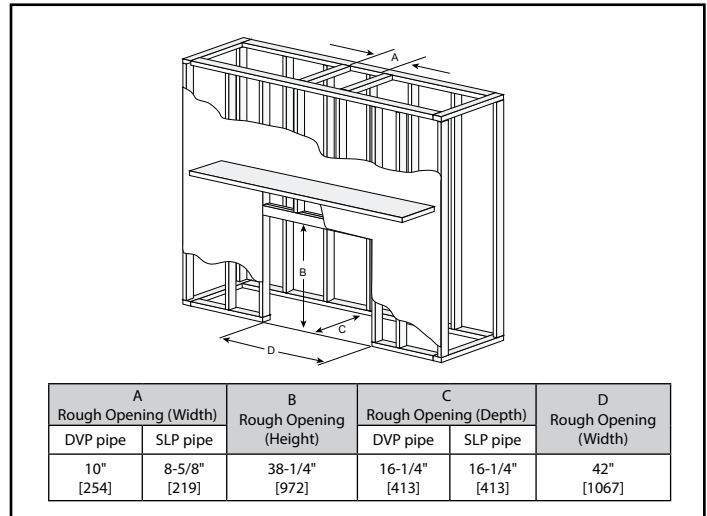
RIGHT SIDE



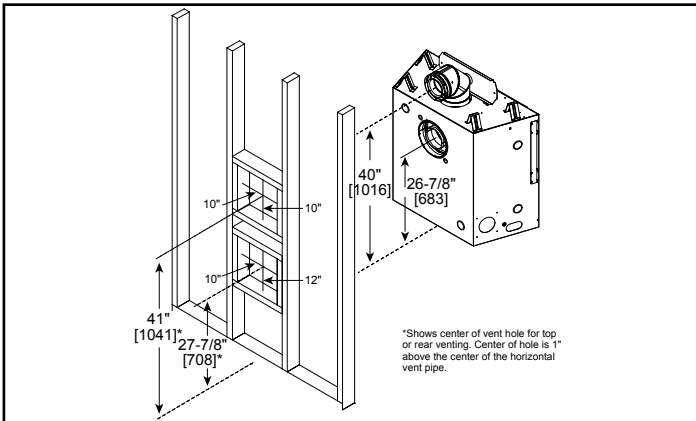
APPLIANCE LOCATION



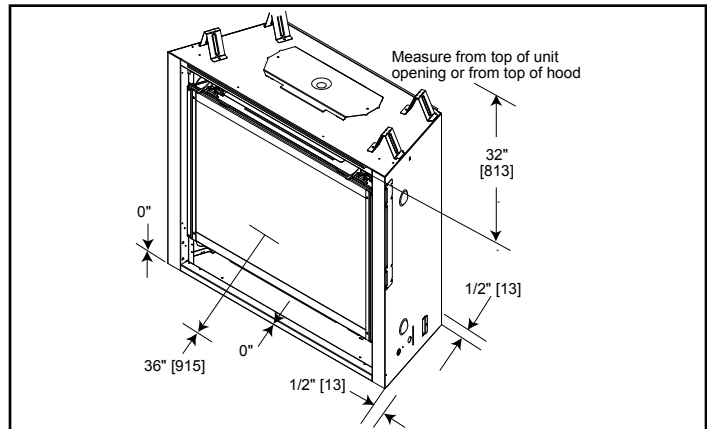
FRAMING DIMENSIONS



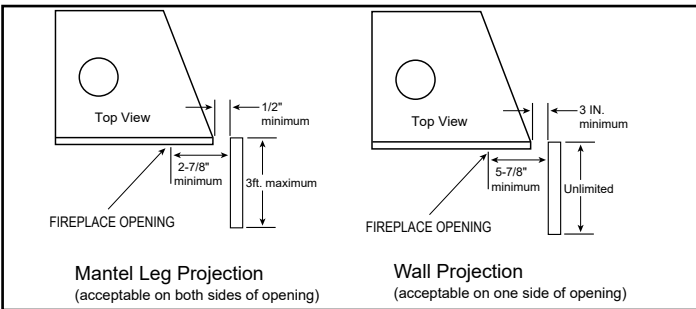
WALL PENETRATION



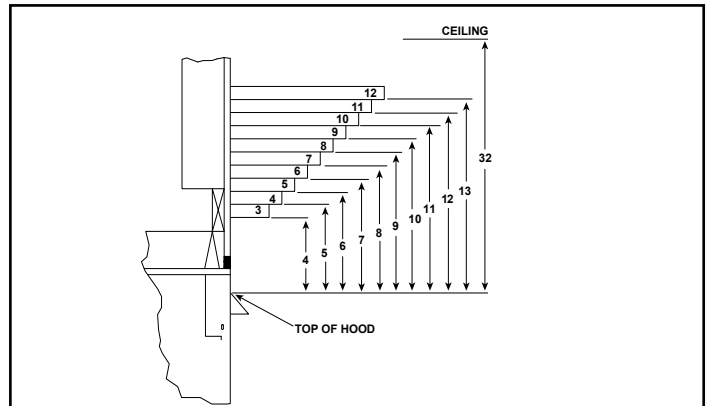
CLEARANCES TO COMBUSTIBLES



MANTLE LEG/WALL PROJECTIONS-COMBUSTIBLE



MANTLE PROJECTIONS



PRODUCT LISTING CODES

US	ANSI Z21.88-2014
CAN	CSA 2.33-2014

Product information provided is not complete and is subject to change without notice. Product installation must adhere strictly to instructions accompanying product to avoid risk of fire and potential injury.