

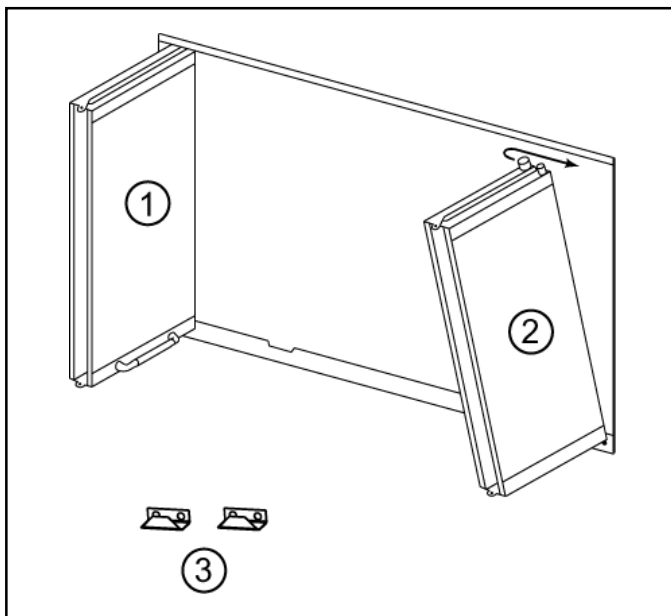


Hearth & Home Technologies Inc.  
 1915 W. Saunders St.  
 Mt. Pleasant, Iowa 52641  
 Division, HON INDUSTRIES  
 www.fireplaces.com

# INSTALLATION INSTRUCTIONS

## DM1836/DM1842 BI-FOLD GLASS DOORS

These bi-fold glass doors have been tested for use with specific Hearth & Home Technologies fireplaces and are listed as fireplace parts. Refer to the fireplace installation instructions/owner's manual for the correct accessories to be used. Check with your local building code agency before you begin your installation to ensure compliance with local codes, including the need for permits and follow-up inspections. If you encounter any problems regarding code approvals, or if you wish clarification of any of the instructions contained here, contact your local distributor/dealer, or please contact Technical Services, Hearth & Home Technologies Inc., 1-800-927-6841 or 1-888-427-3973.



ITEM #	DESCRIPTION	QTY.
1	Bi-fold Door Assy., LH	1
2	Bi-fold Door Assy., RH	1
3	Latch Bracket	2

**Note:** Before burning the fireplace for the first time, wipe the trim with a clean, dry rag to remove all smudges and fingerprints. Failure to do so will cause smudges and fingerprints to be burned into the finish of the trim.

### WARNING!

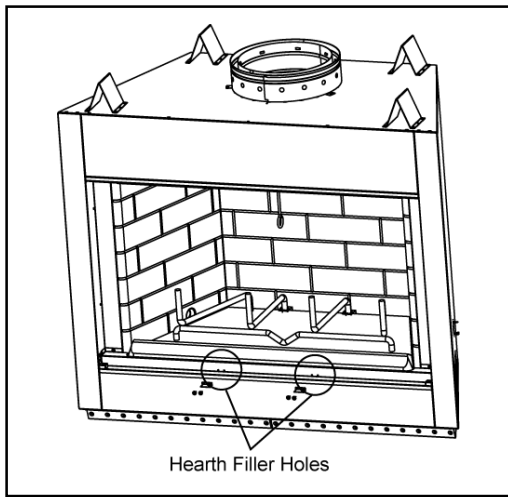
Glass doors must not be used to hold oversized logs or other burning material inside the fireplace. This may cause the glass to break. All fires should be contained within the grate/refractory area. Never leave an open fire unattended even though the glass doors are closed. When firing, doors must be fully closed or fully open with screens drawn.

**CAUTION:**  
Edges are sharp. Hand protection is recommended.

**Step by Step Installation**

1. Screw the latch brackets to the holes in the hearth filler (see Figure 1).

**Note:** If your fireplace does not have predrilled holes in the hearth filler, refer to Figure 2. Once the latch brackets are spaced correctly, mark the holes and drill two 1/8" holes for each bracket and screw the latch brackets on.

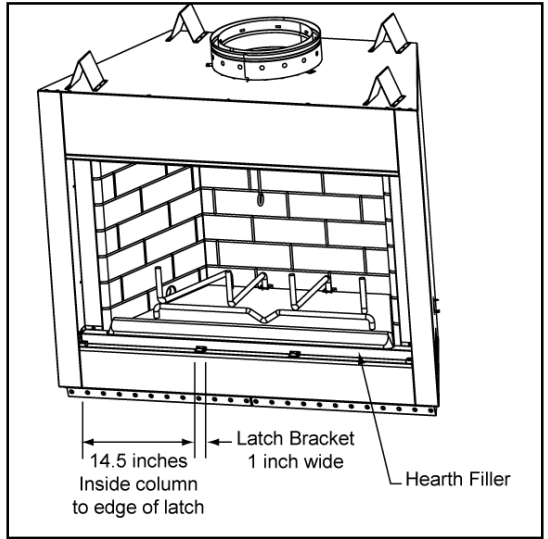


**Figure 1 - Hearth Filler with Holes**

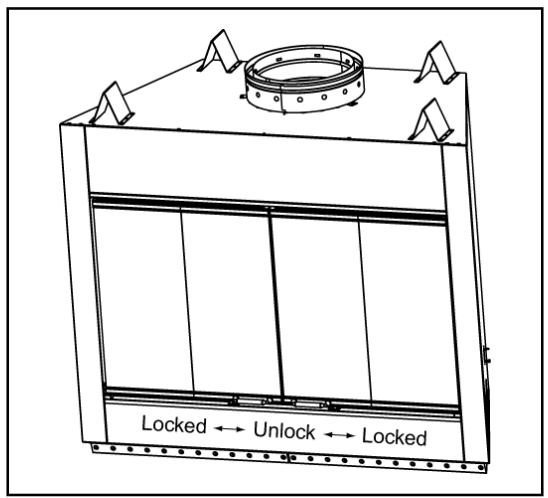
2. Fold one pair of doors. Insert the pin into the hole of the pivot clip located at the bottom outside corner of the fireplace opening. Tilt the door toward the center of the fireplace so that the pins clear the top door track edge. Slide the outside corner pin in the top door track until the pin snaps into the hole in the spring clip. Repeat with the other pair of doors.
3. Doors may be adjusted by loosening the screws, repositioning the spring clips in the screw slots, then tightening the screws. **Do not overtighten the screws!**
4. If removal becomes necessary, depress the spring clips located in the upper corners of the fireplace and tilt the doors towards the center of the fireplace opening.
5. Handles slide side to side to lock and unlock. Close the doors completely, then slide the handle to lock. See Figure 3.

**WARNING!**

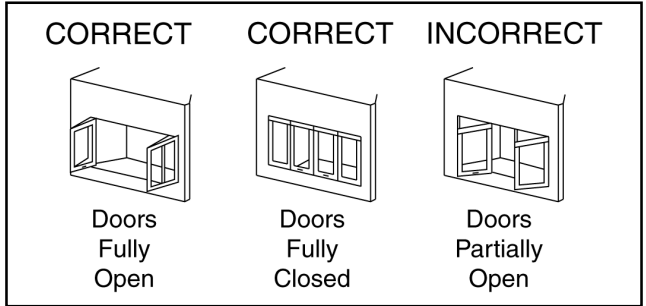
Fireplaces equipped with doors should be operated only with the doors fully open or fully closed. If doors are left partially open, gas and flame may be drawn out of the fireplace opening, creating the risks of both fire and smoke.



**Figure 2 - Hearth Filler No Holes**



**Figure 3 - Lock/Unlock**



**Figure 4 - Proper operation of bi-fold glass doors**