

Amantii

ELECTRIC FIREPLACES

INSTALLATION /OWNER'S MANUAL SYMMETRY SERIES



SYM-34 (SM-190034-1)

SYM-74 (SM-190074-1)

SYM-42 (SM-190042-1)

SYM-88 (SM-190088-1)

SYM-50 (SM-190050-1)

SYM-100 (SM-1900100-1)

SYM-60 (SM-190060-1)

SAFETY INFORMATION



WARNING

If the information in these instructions are not followed exactly, a fire or explosion may result causing property damage, personal injury or loss of life.

Do not store or use gasoline or other flammable vapors and liquids in the vicinity of this or any other

INSTALLER: LEAVE THIS MANUAL WITH THE APPLIANCE.

CONSUMER: RETAIN THIS MANUAL FOR FUTURE REFERENCE.



WARNING: This product can expose you to chemicals including Lead in the wiring, which is [are] known to the State of California to cause birth defects or other reproductive harm. For more information visit: www.p65warnings.ca.gov



Version:202201

TABLE OF CONTENTS

Please read and carefully follow all of the instruction found in this manual. The instructions included here will assure that you have many years of dependable and enjoyable service from your Amantii product.

IMPORTANT INSTRUCTIONS	3
FCC CAUTIONS	4
UNPACKING AND TESTING APPLIANCE	5
GROUNDING APPLIANCE	5
LOCATING THE FIREPLACE.....	5
SYM-34 (SM-190034-1)	6
SYM-42 (SM-190042-1)	7
SYM-50 (SM-190050-1)	8
SYM-60 (SM-190060-1)	9
SYM-74 (SM-190074-1)	10
SYM-88 (SM-190088-1)	11
SYM-100 (SM-1900100-1)	12
MANTEL CLEARANCE.....	13
FOR BATHROOM USE	13
OUTDOOR INSTALLATION.....	14
INSTALLATION.....	15
HARDWIRE INSTALLATION	24
MEDIA OPTIONS.....	25
DECORATIVE MEDIA INSTALLATION.....	25
OPERATION.....	26
MANUAL OPERATION	26
REMOTE CONTROL OPERATION.....	27
WIFI OPERATION.....	30
REPLACEMENT PARTS.....	33
EXPLODED VIEW	34
TROUBLE SHOOTING.....	35
SERVICE HISTORY	36
WARRANTY	37

IMPORTANT INSTRUCTIONS

PLEASE RETAIN THIS USER GUIDE FOR FUTURE REFERENCE

When using electrical appliances, basic precautions should always be followed to reduce the risk of fire, electric shock, and injury to persons, including the following:

- 1) Read all instructions before using this fireplace
- 2) The fireplace is hot when in use. To avoid burns, do not let bare skin touch hot surfaces. Keep combustible material such as furniture, cushions, bedding, paper, clothes, curtains at least 3 feet from the front of the unit
- 3) Extreme caution is necessary when any heater is used near children and whenever the unit is left operating and unattended.
- 4) Do not operate a fireplace with a damaged cord or plug, or if the heater has malfunctioned, the fireplace has drooped or damaged in any manner
- 5) Not all fireplaces are suitable for use in bathrooms or laundry facilities. Please consult with individual product literature to confirm suitability
- 6) Do not run the cord under carpeting. Do not cover cord with throw rugs, runners or the like. Arrange the cord away from traffic area and where it will not be tripped over
- 7) Do not modify this fireplace. Use it as described in the manual. Any other use not recommended by the manufacture may cause fire, shock or injury to persons
- 8) Do not use this heater with programmer, timer, separate remote-control system or any other device that switches the heater on automatically, since a fire risk exists if the heater is covered or positioned incorrectly
- 9) Disconnect all power supply before cleaning, maintenance or relocation of the fireplace
- 10) Keep the heater clean. Do not allow any objects to enter any ventilation or exhaust opening as this may cause electric shock, fire or damage to the heater
- 11) Do not immerse the cord, plug or any part of the appliance in water or any other liquid
- 12) In order to avoid a hazard due to inadvertent resetting of the thermal cut-out, this appliance must not be supplied through an external switching device

SAVE THESE INSTRUCTIONS

CAUTION: Procedures and techniques, which, if not carefully followed, will result in damage to the equipment.

WARNING: Procedures and techniques, which, if not carefully followed, will expose the user to the risk of fire, serious injury, illness or death.

Consult with professional electrician and adhere to all code requirements for installations in bathrooms

FCC CAUTIONS

This device complies with part 15 of the FCC Rules. Operation is subject to the following two conditions: (1) This device may not cause harmful interference, and (2) this device must accept any interference received, including interference that may cause undesired operation.

Any Changes or modifications not expressly approved by the party responsible for compliance could void the user's authority to operate the equipment.

Note: This equipment has been tested and found to comply with the limits for a Class B digital device, pursuant to part 15 of the FCC Rules. These limits are designed to provide reasonable protection against harmful interference in a residential installation. This equipment generates uses and can radiate radio frequency energy and, if not installed and used in accordance with the instructions, may cause harmful interference to radio communications. However, there is no guarantee that interference will not occur in a particular installation. If this equipment does cause harmful interference to radio or television reception, which can be determined by turning the equipment off and on, the user is encouraged to try to correct the interference by one or more of the following measures:

Reorient or relocate the receiving antenna.

Increase the separation between the equipment and receiver.

Connect the equipment into an outlet on a circuit different from that to which the receiver is connected.

Consult the dealer or an experienced radio/TV technician for help.

This equipment complies with FCC radiation exposure limits set forth for an uncontrolled environment. This equipment should be installed and operated with minimum distance 20cm between the radiator & your body.

UNPACKING AND TESTING APPLIANCE

Carefully remove the appliance from the box.

Prior to installing the appliance, test to make sure the appliance operates properly by plugging the power supply cord into a 120 Volt grounded outlet.

Test all aspects of its operation (manual switches, remote and heater) to make sure all components are operating correctly.

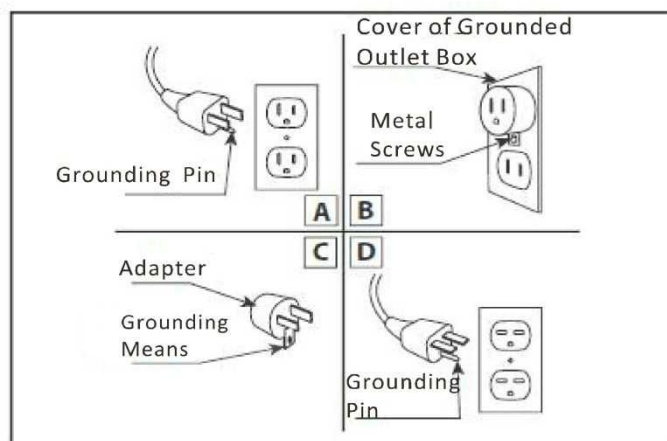
As with most electronic devices, your new electric fireplace has been designed to operate at temperatures between 5 °C (41°F) and 35 °C (95°F). During the cold winter months, allow the fireplace to reach room temperature before turning it on.

NOTE: There may be trace of odor during the first few minutes of initial use. This is harmless, normal and will never occur again.

GROUNDING APPLIANCE

This appliance is for use on 120 Volts. The cord has a plug as shown in (A). An adapter as shown in (C) is available for connecting three-blade grounding type plugs to two-slot receptacles. The green grounding lug extending from the adapter must be connected to a permanent ground such as a properly grounded outlet box. The adapter should not be used if a three-slot grounded receptacle is available.

To disconnect appliance, turn controls to off, then remove plug from outlet.



Note : Adaptor are NOT for use in Canada

LOCATING THE FIREPLACE

Plan where to locate and frame the fireplace. This will save time and money later when you install the fireplace. Before installation consider the following:

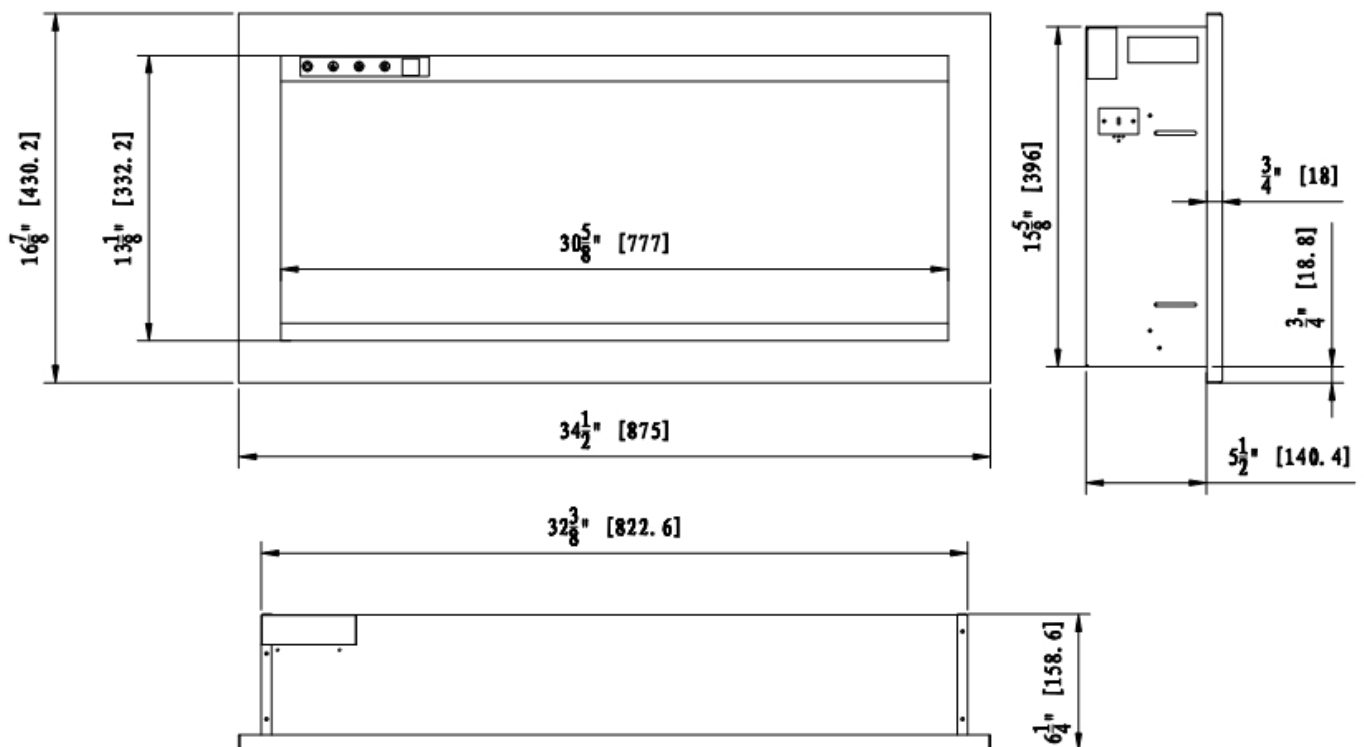
1. Where the fireplace is located must allow for wall and ceiling clearances
2. Consider a location where the fireplace screen will not be exposed to direct sunlight from windows or doors.
3. A 15 ampere, 120 Volt, 60 Hz branch circuit with proper ground must be available at the location. Preferably a dedicated branch circuit should be provided to avoid circuit breakers to trip or fuses to blow.

SYM-34 (SM-190034-1)

Description	Built-in Appliance
Voltage	120V AC 60Hz
Watts	1465W Max
NO HEATER	15.7W Max
MOTOR HEATER	19W
Appliance Width	32 3/8" or 82.3 cm
Appliance Height	15 5/8" or 39.6 cm
Appliance Depth	5 1/2" or 14 cm
Gross Weight	59.3 lbs or 26.9 kgs
Plug Location	Left side
Cord Length	70 7/8" or 180 cm
Rough Wall Opening Size	32 7/8"× 16" or 83.5 cm× 40.6 cm
BTU	5000

This appliance has been tested in accordance with the UL Standard 2021 for fixed and location dedicated electric room appliances in the United States and Canada. If you need assistance during installation, please contact your local dealer.

NOTE: This appliance must be electrically wired and grounded in accordance with local codes. In the absence of local codes, use the current CSA C22.1 Canadian Electrical Code in Canada or the ANSI/NFPA 70 National Electrical Code in the United States.

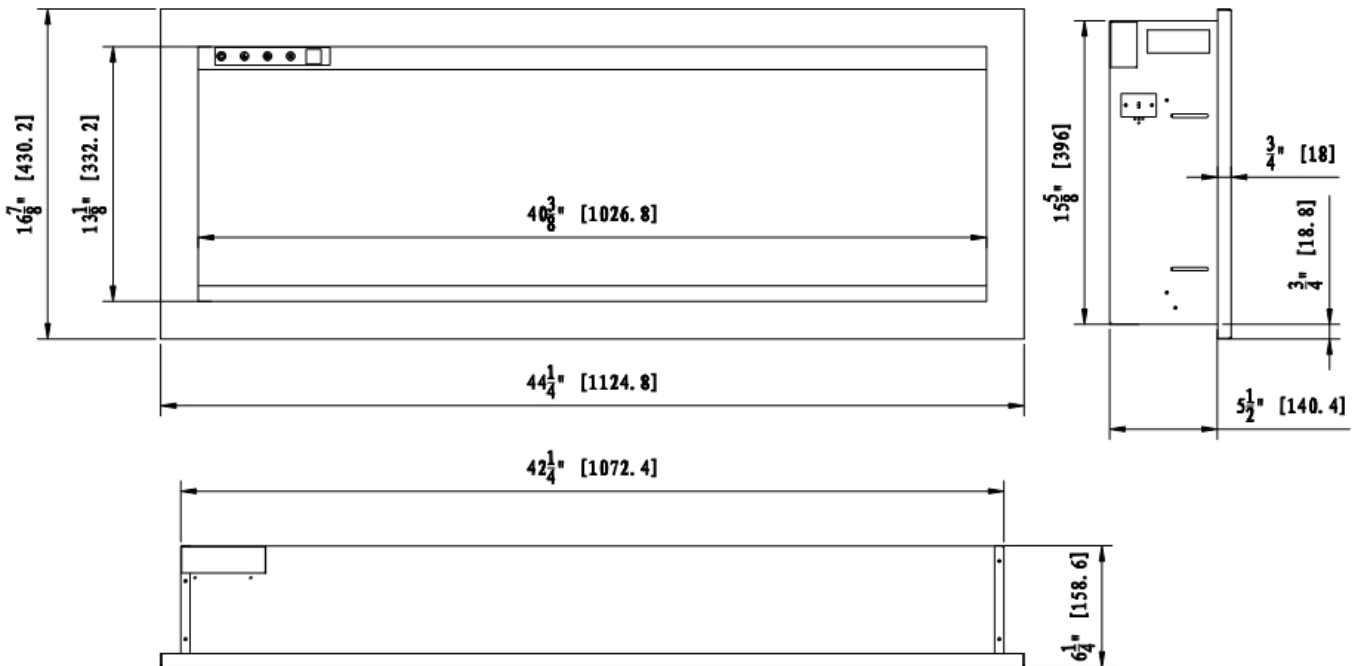


SYM-42 (SM-190042-1)

Description	Built-in Appliance
Voltage	120V AC 60Hz
Watts	1465W Max
NO HEATER	20.5W Max
MOTOR HEATER	19W
Appliance Width	42 1/4" or 107.2 cm
Appliance Height	15 5/8 " or 39.6 cm
Appliance Depth	5 1/2" or 14 cm
Gross Weight	71.2 lbs or 32.3 kgs
Plug Location	Left side
Cord Length	70 7/8" or 180 cm
Rough Wall Opening Size	42 3/4"× 16" or 108.6 cm× 40.6 cm
BTU	5000

This appliance has been tested in accordance with the UL Standard 2021 for fixed and location dedicated electric room appliances in the United States and Canada. If you need assistance during installation, please contact your local dealer.

NOTE: This appliance must be electrically wired and grounded in accordance with local codes. In the absence of local codes, use the current CSA C22.1 Canadian Electrical Code in Canada or the ANSI/NFPA 70 National Electrical Code in the United States.

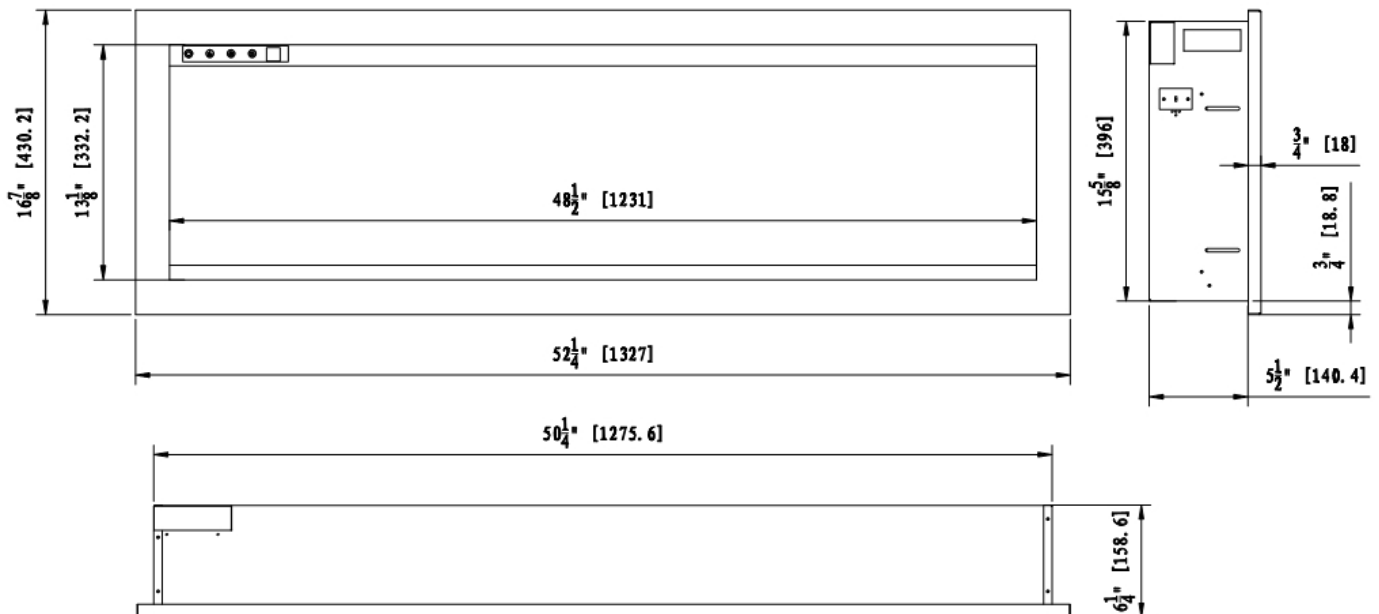


SYM-50 (SM-190050-1)

Description	Built-in Appliance
Voltage	120V AC 60Hz
Watts	1465W Max
NO HEATER	24.5W Max
MOTOR HEATER	19W
Appliance Width	50 1/4" or 127.6 cm
Appliance Height	15 5/8 " or 39.6 cm
Appliance Depth	5 1/2" or 14 cm
Gross Weight	82.9 lbs or 37.6 kgs
Plug Location	Left side
Cord Length	70 7/8" or 180 cm
Rough Wall Opening Size	50 3/4"× 16" or 128.9 cm× 40.6 cm
BTU	5000

This appliance has been tested in accordance with the UL Standard 2021 for fixed and location dedicated electric room appliances in the United States and Canada. If you need assistance during installation, please contact your local dealer.

NOTE: This appliance must be electrically wired and grounded in accordance with local codes. In the absence of local codes, use the current CSA C22.1 Canadian Electrical Code in Canada or the ANSI/NFPA 70 National Electrical Code in the United States.

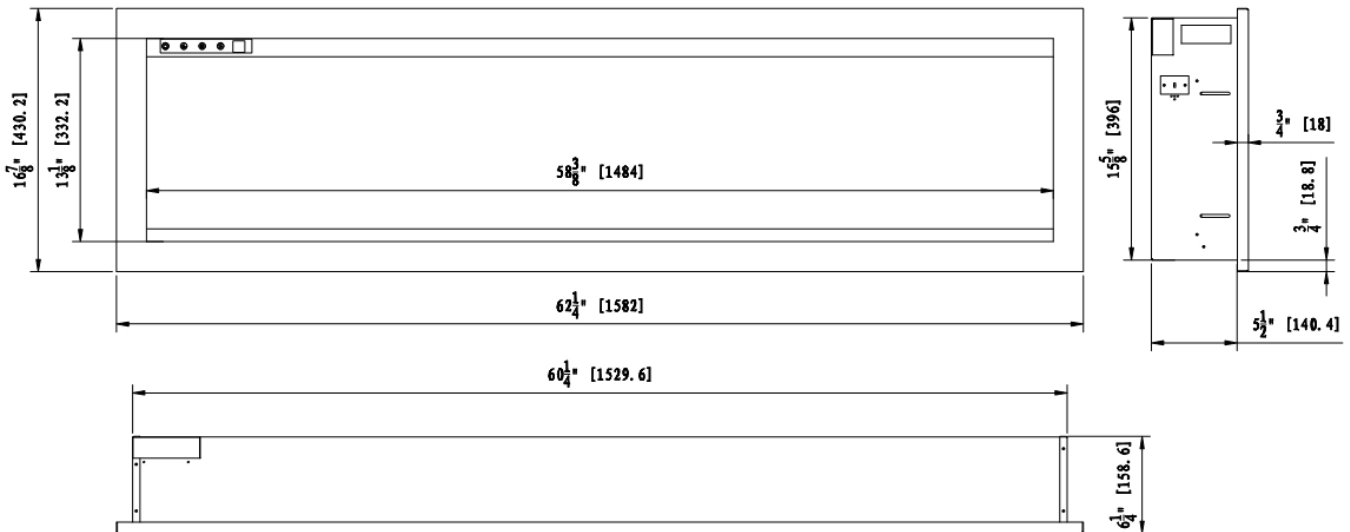


SYM-60 (SM-190060-1)

Description	Built-in Appliance
Voltage	120V AC 60Hz
Watts	1465W Max
NO HEATER	25.7W Max
MOTOR HEATER	19W
Appliance Width	60 1/4" or 153 cm
Appliance Height	15 5/8" or 39.6 cm
Appliance Depth	5 1/2" or 14 cm
Gross Weight	94.58 lbs or 42.9 kgs
Plug Location	Left side
Cord Length	70 7/8" or 180 cm
Rough Wall Opening Size	60 3/4" x 16" or 154.3 cm x 40.6 cm
BTU	5000

This appliance has been tested in accordance with the UL Standard 2021 for fixed and location dedicated electric room appliances in the United States and Canada. If you need assistance during installation, please contact your local dealer.

NOTE: This appliance must be electrically wired and grounded in accordance with local codes. In the absence of local codes, use the current CSA C22.1 Canadian Electrical Code in Canada or the ANSI/NFPA 70 National Electrical Code in the United States.

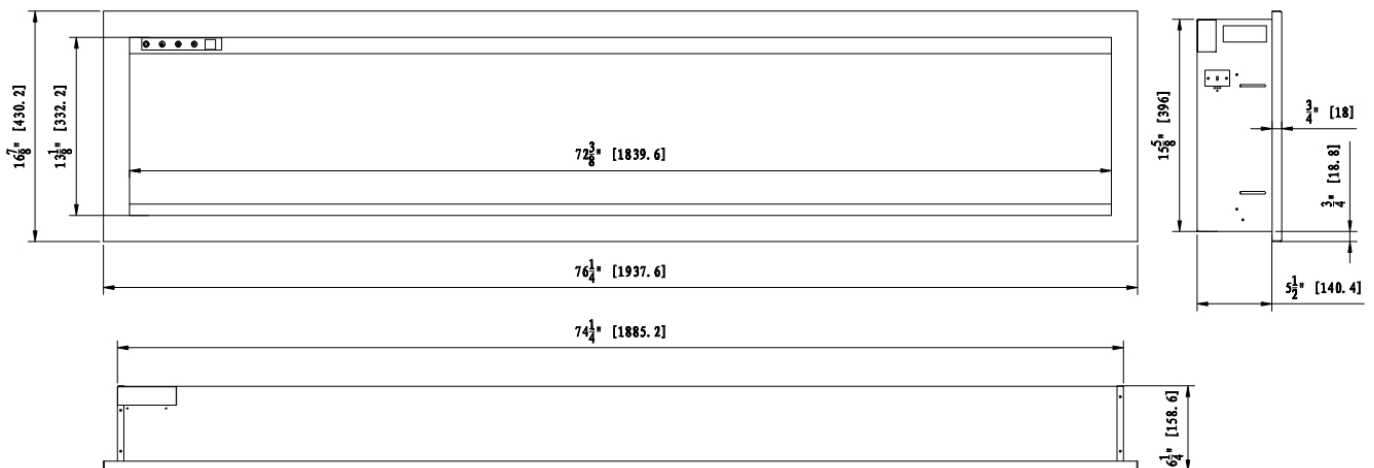


SYM-74 (SM-190074-1)

Description	Built-in Appliance
Voltage	120V AC 60Hz
Watts	1465W Max
NO HEATER	28W Max
MOTOR HEATER	19W
Appliance Width	74 1/4" or 188.5 cm
Appliance Height	15 5/8 " or 39.6 cm
Appliance Depth	5 1/2" or 14 cm
Gross Weight	117.29 lbs or 53.2 kgs
Plug Location	Left side
Cord Length	70 7/8" or 180 cm
Rough Wall Opening Size	74 3/4"× 16" or 189.9 cm× 40.6 cm
BTU	5000

This appliance has been tested in accordance with the UL Standard 2021 for fixed and location dedicated electric room appliances in the United States and Canada. If you need assistance during installation, please contact your local dealer.

NOTE: This appliance must be electrically wired and grounded in accordance with local codes. In the absence of local codes, use the current CSA C22.1 Canadian Electrical Code in Canada or the ANSI/NFPA 70 National Electrical Code in the United States.

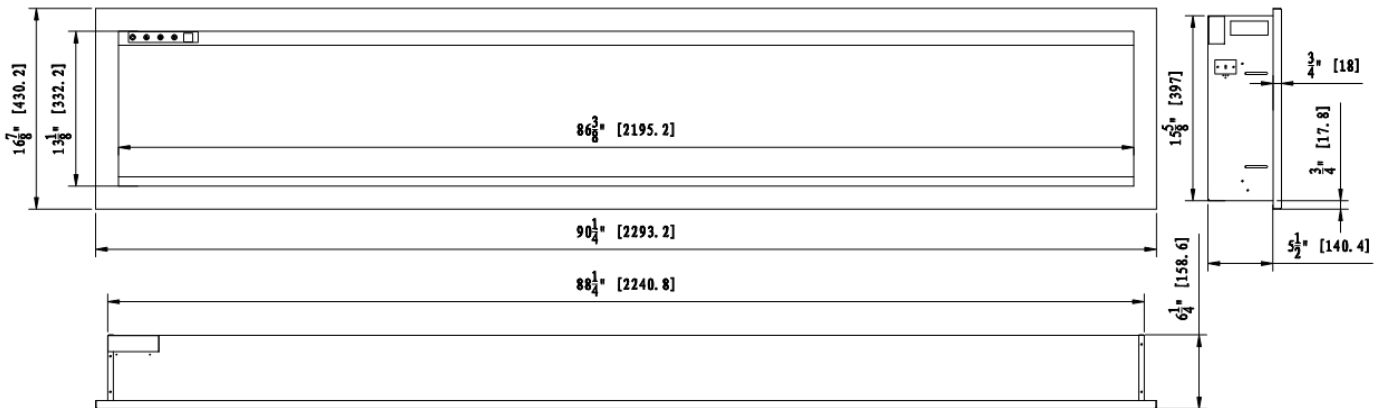


SYM-88 (SM-190088-1)

Description	Built-in Appliance
Voltage	120V AC 60Hz
Watts	1465W Max
NO HEATER	30W Max
MOTOR HEATER	19W
Appliance Width	88 1/4" or 224.1 cm
Appliance Height	15 5/8 " or 39.6 cm
Appliance Depth	5 1/2" or 14 cm
Gross Weight	136.69 lbs or 62 kgs
Plug Location	Left side
Cord Length	70 7/8" or 180 cm
Rough Wall Opening Size	88 3/4"× 16" or 225.4 cm× 40.6 cm
BTU	5000

This appliance has been tested in accordance with the UL Standard 2021 for fixed and location dedicated electric room appliances in the United States and Canada. If you need assistance during installation, please contact your local dealer.

NOTE: This appliance must be electrically wired and grounded in accordance with local codes. In the absence of local codes, use the current CSA C22.1 Canadian Electrical Code in Canada or the ANSI/NFPA 70 National Electrical Code in the United State

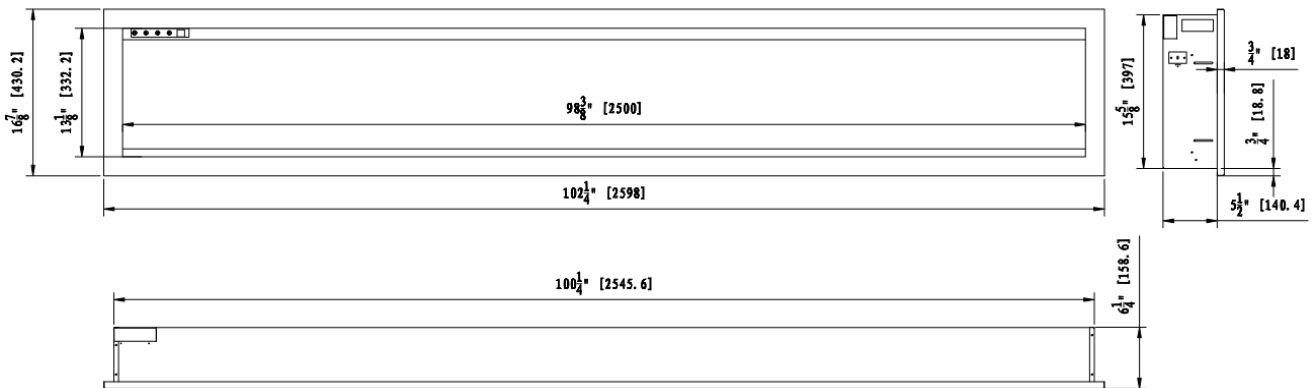


SYM-100 (SM-1900100-1)

Description	Built-in Appliance
Voltage	120V AC 60Hz
Watts	1465W Max
NO HEATER	31W Max
MOTOR HEATER	19W
Appliance Width	100 1/4" or 254.6 cm
Appliance Height	15 5/8" or 39.6 cm
Appliance Depth	5 1/2" or 14 cm
Gross Weight	156.3 lbs or 70.9 kgs
Plug Location	Left side
Cord Length	70 7/8" or 180 cm
Rough Wall Opening Size	100 3/4" x 16" or 255.9 cm x 40.6 cm
BTU	5000

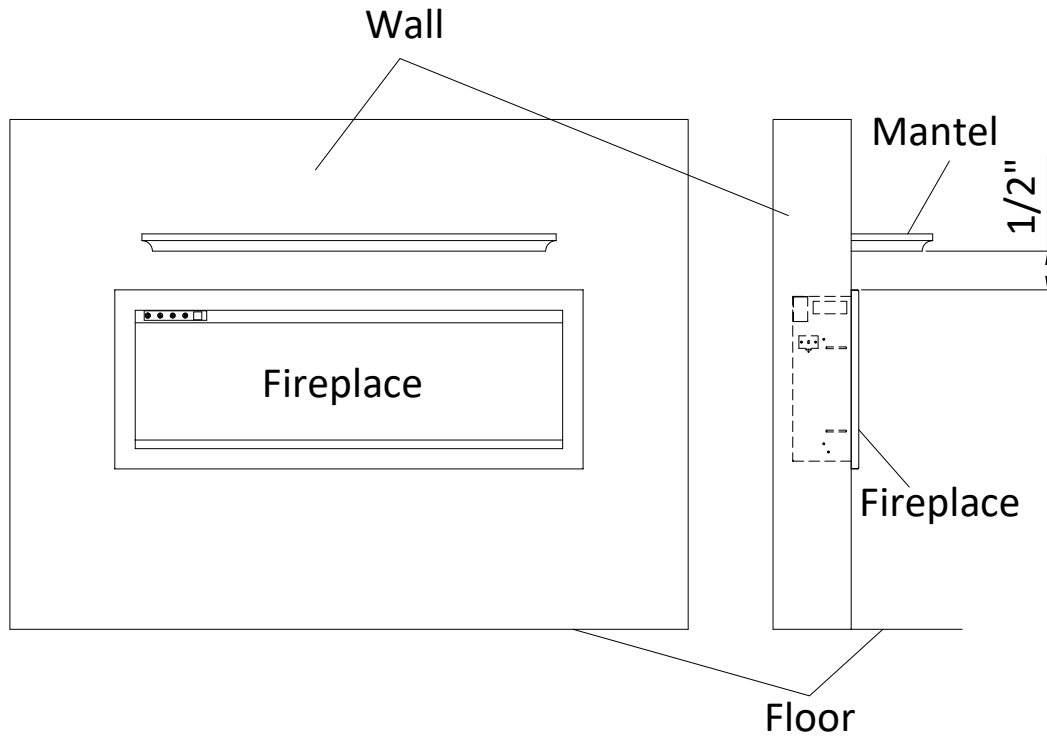
This appliance has been tested in accordance with the UL Standard 2021 for fixed and location dedicated electric room appliances in the United States and Canada. If you need assistance during installation, please contact your local dealer.

NOTE: This appliance must be electrically wired and grounded in accordance with local codes. In the absence of local codes, use the current CSA C22.1 Canadian Electrical Code in Canada or the ANSI/NFPA 70 National Electrical Code in the United States.



MANTEL CLEARANCE

The clearance to the mantel should be 1/2" minimum when a mantel is applied (Measurement is taken from the trim).



FOR BATHROOM USE

If this unit is installed in a bathroom it must be protected by a GFCI receptacle or circuit. If receptacle is used it must be readily accessible.

To prevent electric shock, please be aware that this unit is an electrical appliance that is *NOT* watertight and must be installed as to prevent water from entering unit. This must be installed away from showers, tubs, etc. Never locate fireplace where it may fall into a bathtub or other water container.

All wiring connections to line power shall be in accordance with local building code requirements. Inquires about local codes and regulations must be done prior to installation.

Consult with professional electrician and adhere to all code requirements for installations in bathrooms

INSTALLATION-WALL MOUNT

NOTE: Due to the many different materials used to build walls, it is highly recommended that you consult your local builder before you install this appliance on a wall.

1. Select a location that is not prone to moisture and is located at least 0.91 m or 3 feet away from combustible materials such as curtains or drapes, furniture, bedding, paper, etc.
2. Using a spirit level to select a position in which to mount the heater horizontally. See Figure 1.
3. Check the wall to ensure there is no wiring, pipe wires etc in the area to be drilled. Drill 8 or more holes depending on the size of the unit purchased, (8mm diameter & 40mm depth) using a suitable size drill bit and insert the wall plugs into the holes.
4. Remove the hanger from the fireplace by removing the screws. See Figure 2.
5. Fasten the hanger to the wall. See Figure 3.
6. To prevent fireplace from moving, use the provided safety screw to fasten the fireplace to the wall. See Figure 4.

WARNING: Be sure that the bolts have been fixed firmly enough to withstand the weight!

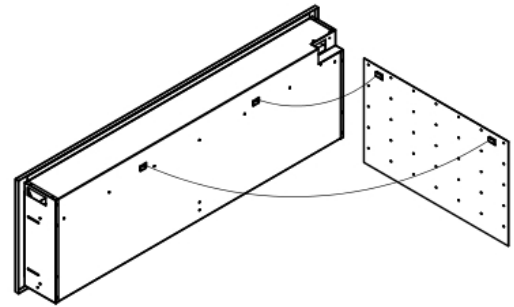


Fig. 2

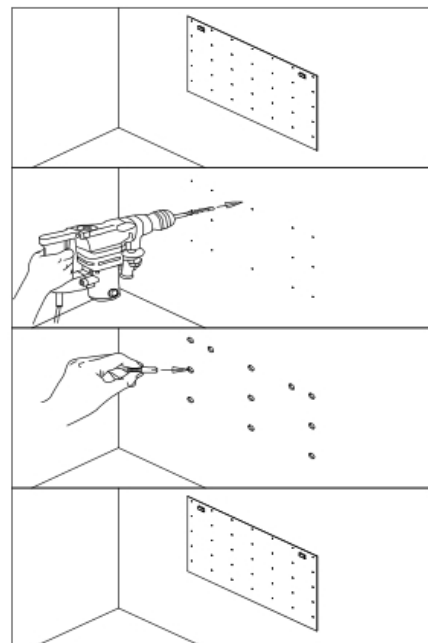


Fig.3

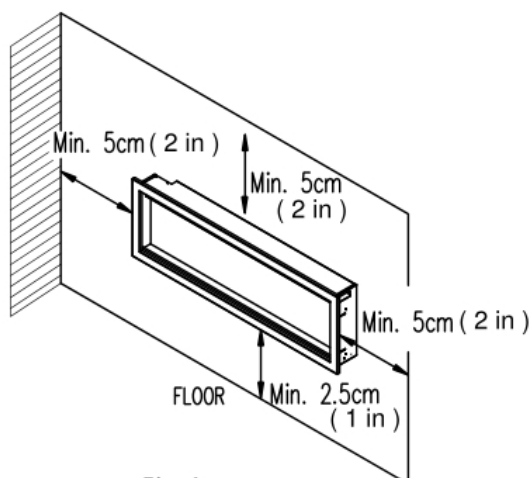


Fig. 1

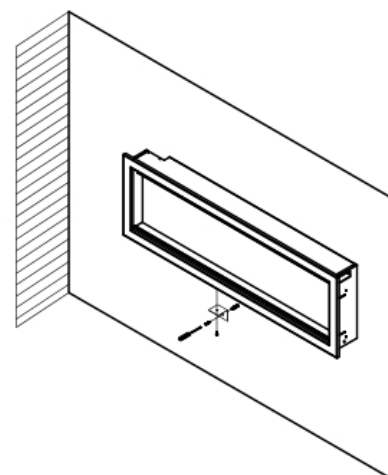


Fig. 4

INSTALLATION- BUILT-IN

NOTE: Due to the many different materials used to build walls, it is highly recommended that you consult your local builder before you install this appliance on a wall.

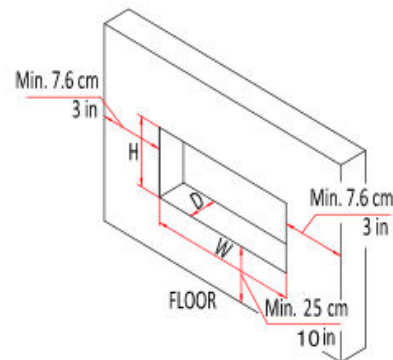
Preparation

1. Select a location that is not prone to moisture and is located at least 0.91m or 3 feet away from combustible materials such as curtains, drapes, furniture, bedding, paper, etc.
2. Mark the desired location on the floor and store the appliance in a safe, dry and dust free place.
3. Prepare a wall with a framed opening to accommodate the size of your unit. Leave at least 1/4" (6mm) around the edge of the appliance. Any new wiring must be done in compliance with local and national codes and other applicable regulations.

Prior to installing, test the appliance to make sure the appliance is fully operational by plugging the power supply cord into a 120 Volt grounded outlet.

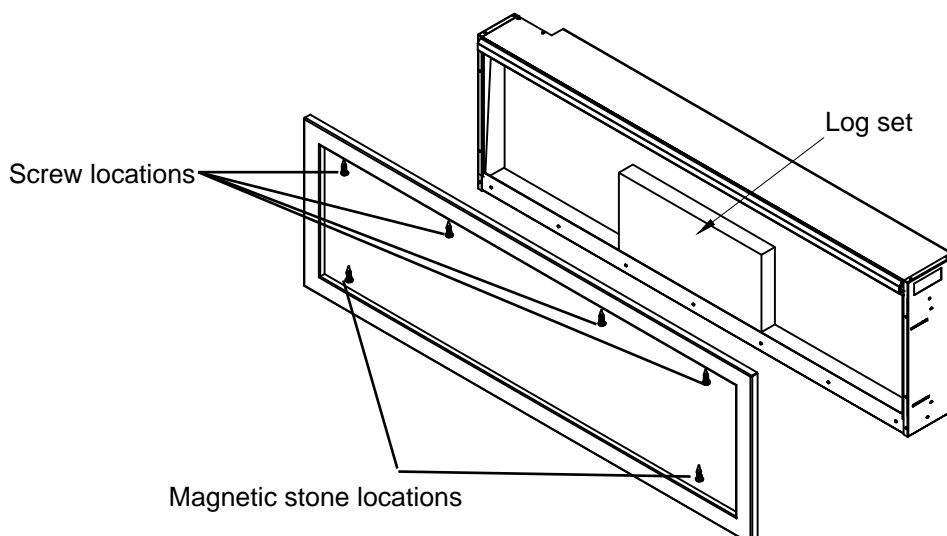
The rough wall opening size of the fireplace:

	W(“)	D(“)	H(“)
SYM-34(SM-190034-1)	32 7/8	6	16
SYM-42(SM-190042-1)	42 3/4	6	16
SYM-50(SM-190050-1)	50 3/4	6	16
SYM-60(SM-190060-1)	60 3/4	6	16
SYM-74(SM-190074-1)	74 3/4	6	16
SYM-88(SM-190088-1)	88 3/4	6 </td <td>16</td>	16
SYM-100(SM-1900100-1)	100 3/4	6	16

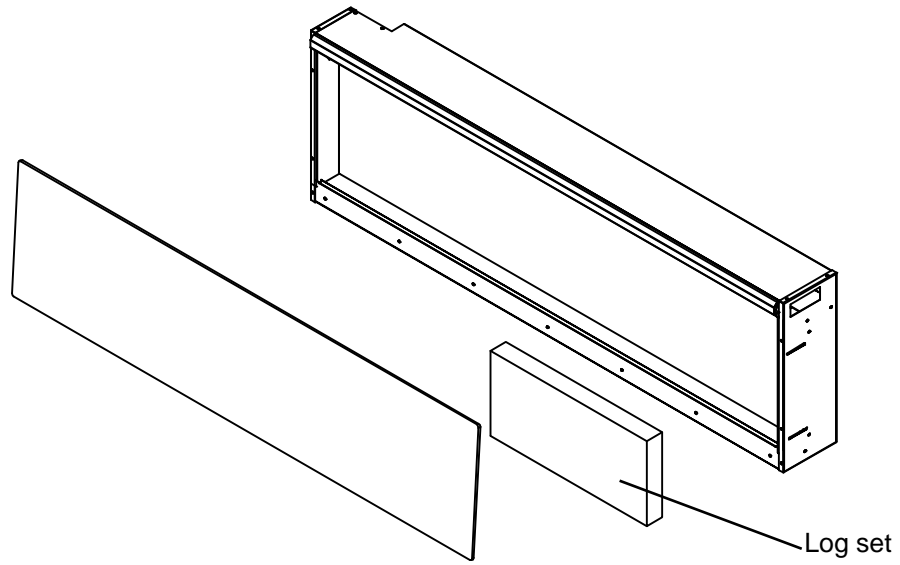


INSTALLATION

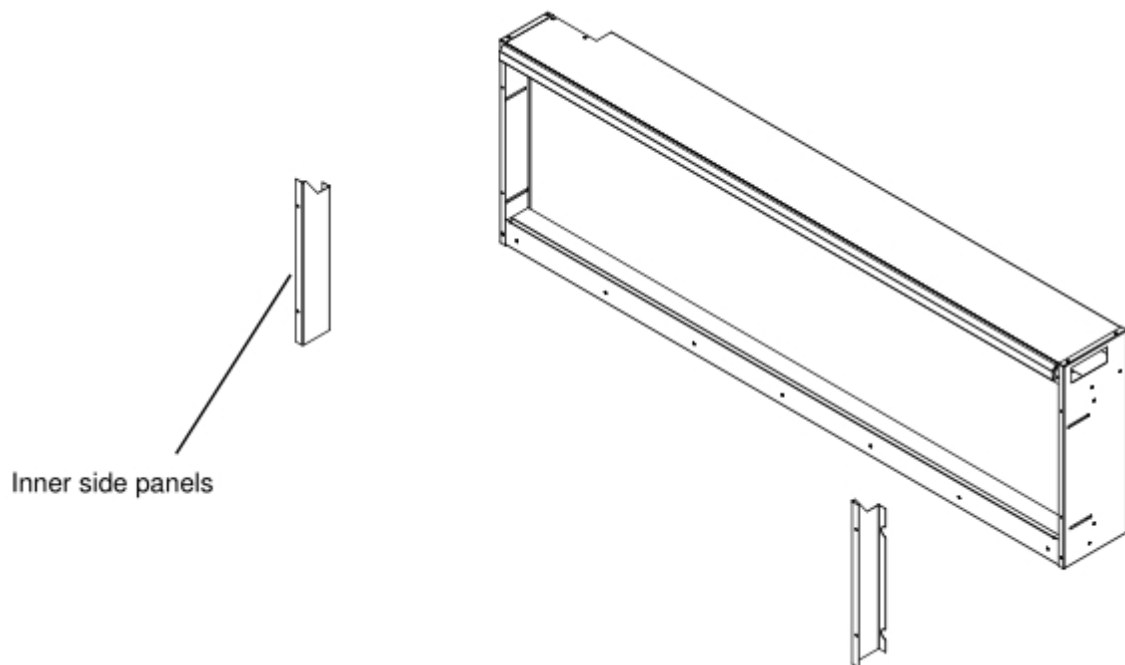
1. Unscrew 4 screws to take off the trim and get out the log set. (NOTE: Keep hold of the front glass as it may fall down automatically when the trim is removed.)



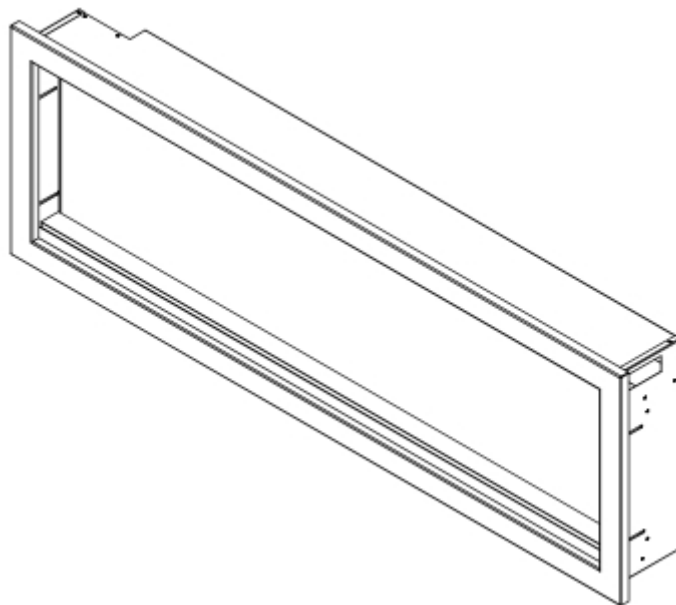
2. When the trim is removed, take off the front glass panel and get out the log set.



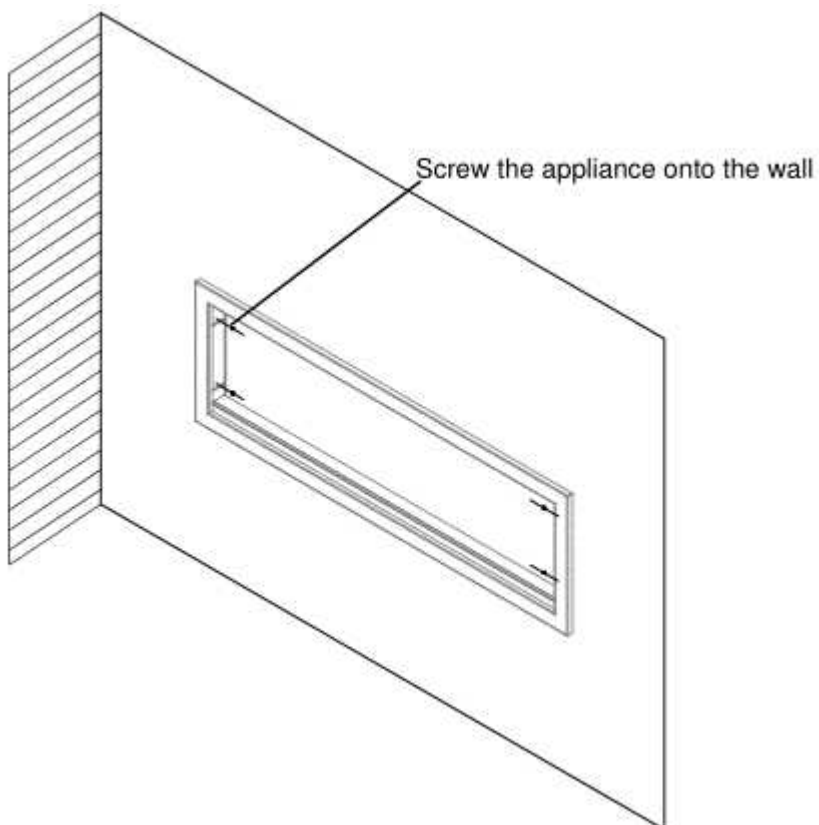
3. Unscrew the 2 screws located on each side and take off the inner side steel panels.



- Put the trim back onto the appliance and fasten with screws.(NOTE: This step is to make sure that the fireplace fits the wall opening well and there is no gap between the trim and the wall after installation)

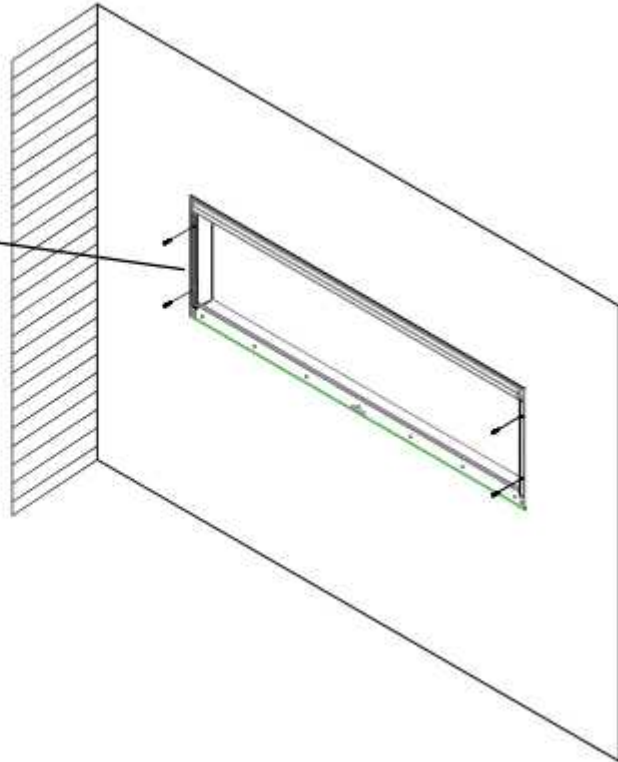


- Put the fireplace into the wall opening and fix it to the wall by screwing 2 screws each side.

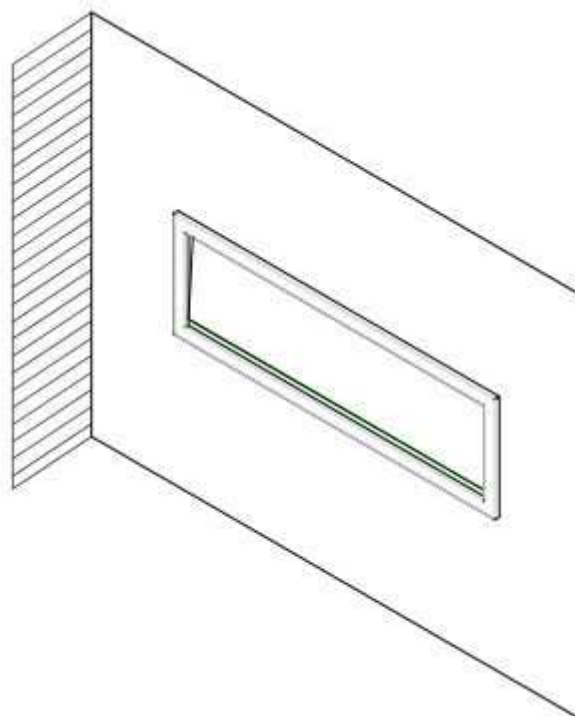


6. Remove the trim following STEP 1. Screw back the inner side steel panels.

Screw back the inner side panels that you removed at STEP 3.



7. Put back the front glass panel and screw back the trim after you finish the media decoration.

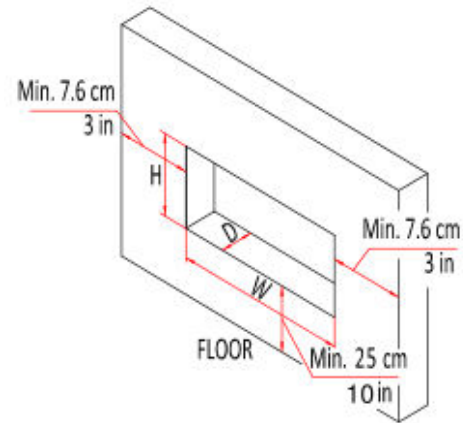


INSTALLATION SEMI-FLUSH BUILT-IN WITHIN 2 X 4'S

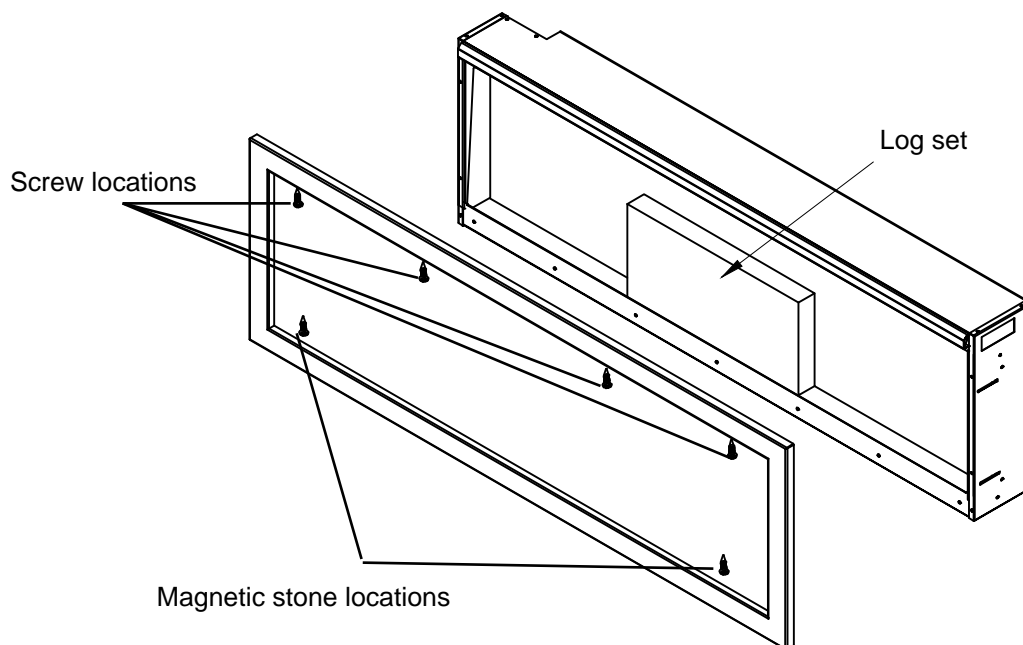
NOTE: Please purchase special trim for the semi-flush built-in installation from dealer. See dealer for more details.

The rough wall opening size of the fireplace:

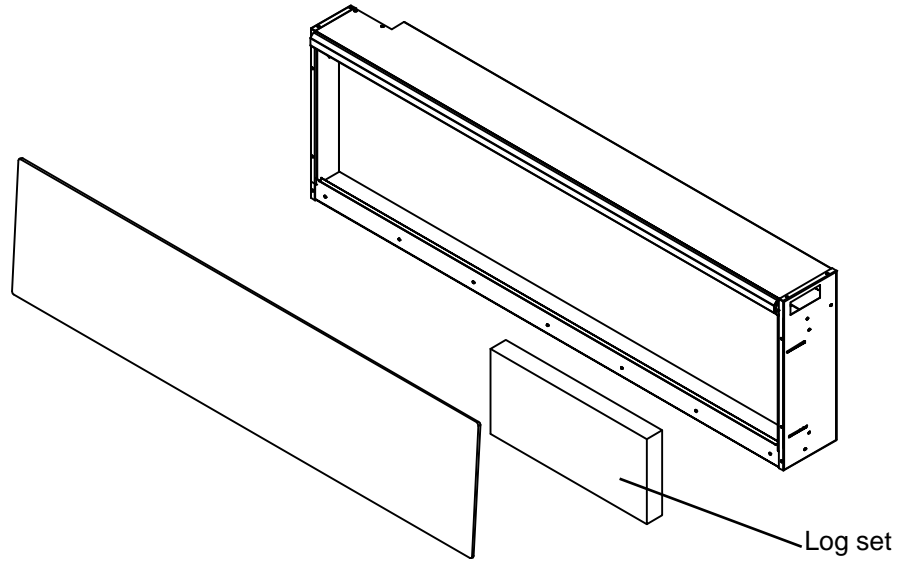
	W(“)	D(“)	H(“)
SYM-34(SM-190034-1)	32 7/8	4	16
SYM-42(SM-190042-1)	42 3/4	4	16
SYM-50(SM-190050-1)	50 3/4	4	16
SYM-60(SM-190060-1)	60 3/4	4	16
SYM-74(SM-190074-1)	74 3/4	4	16
SYM-88(SM-190088-1)	88 3/4	4	16
SYM-100(SM-1900100-1)	100 3/4	4	16



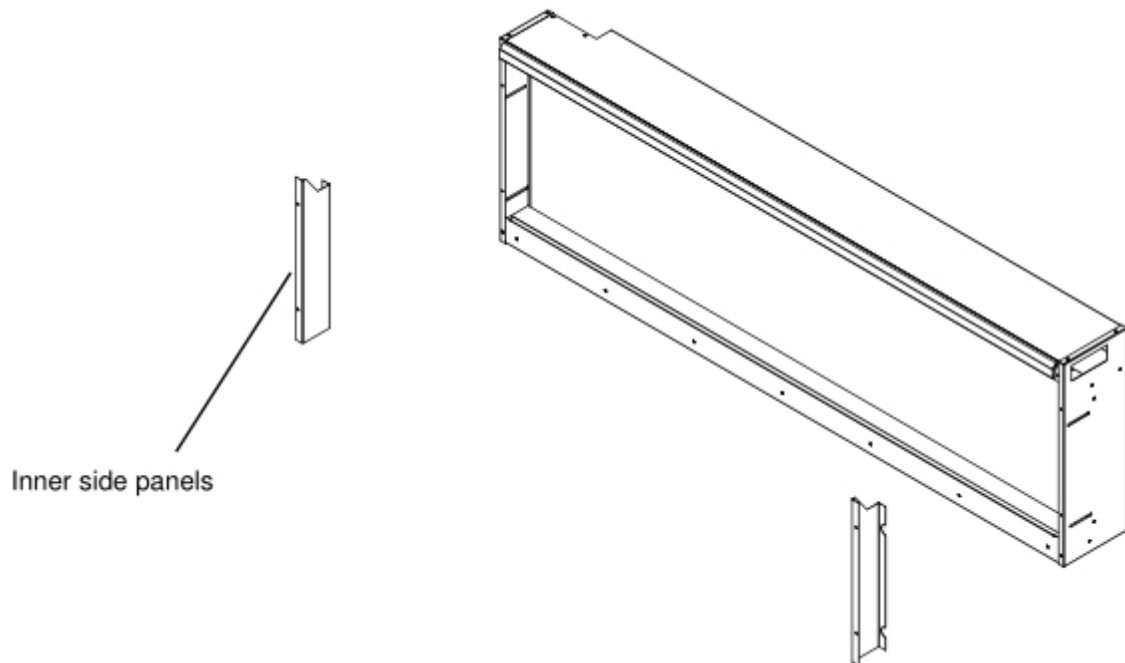
1. Unscrew 4 screws to take off the trim and get out the log set. (NOTE: Keep hold of the front glass as it may fall down automatically when the trim is removed.)



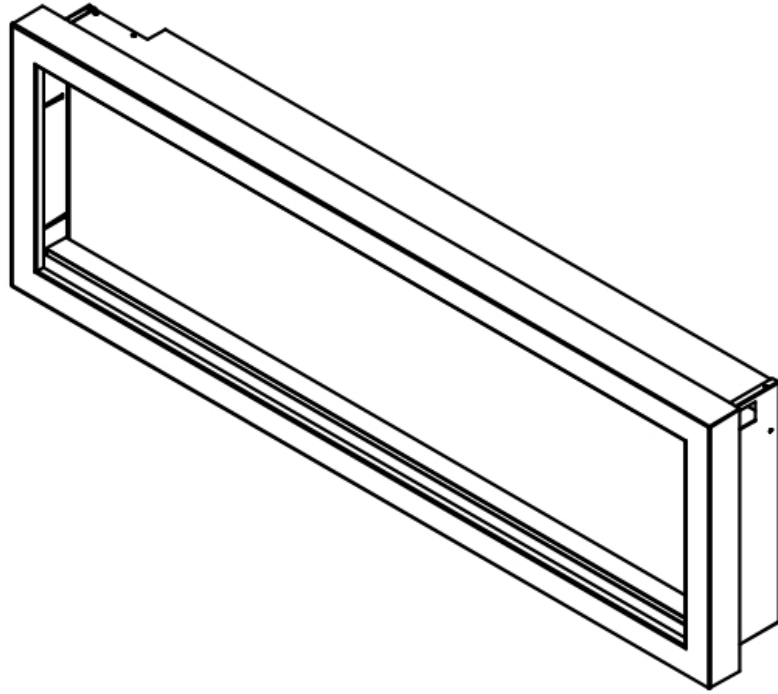
2. When the trim is removed, take off the front glass panel and get out the log set.



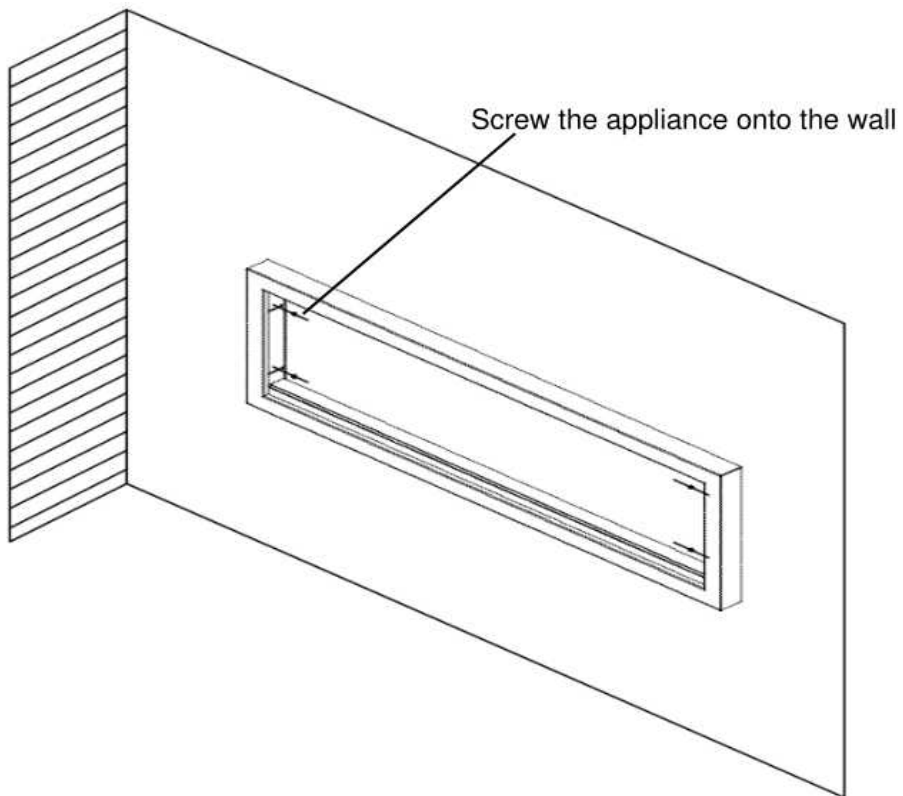
3. Unscrew the 2 screws located on each side and take off the inner side steel panels.



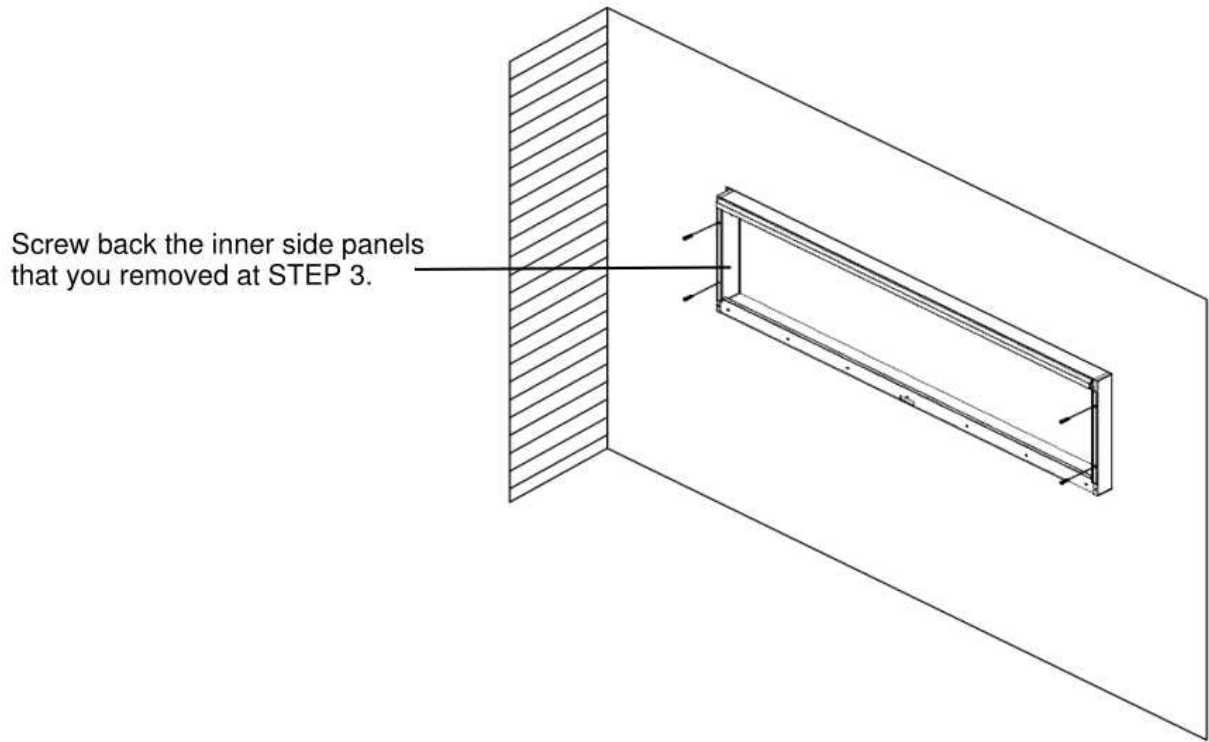
- Put the trim back onto the appliance and fasten with screws.(NOTE: This step is to make sure that the fireplace fits the wall opening well and there is no gap between the trim and the wall after installation)



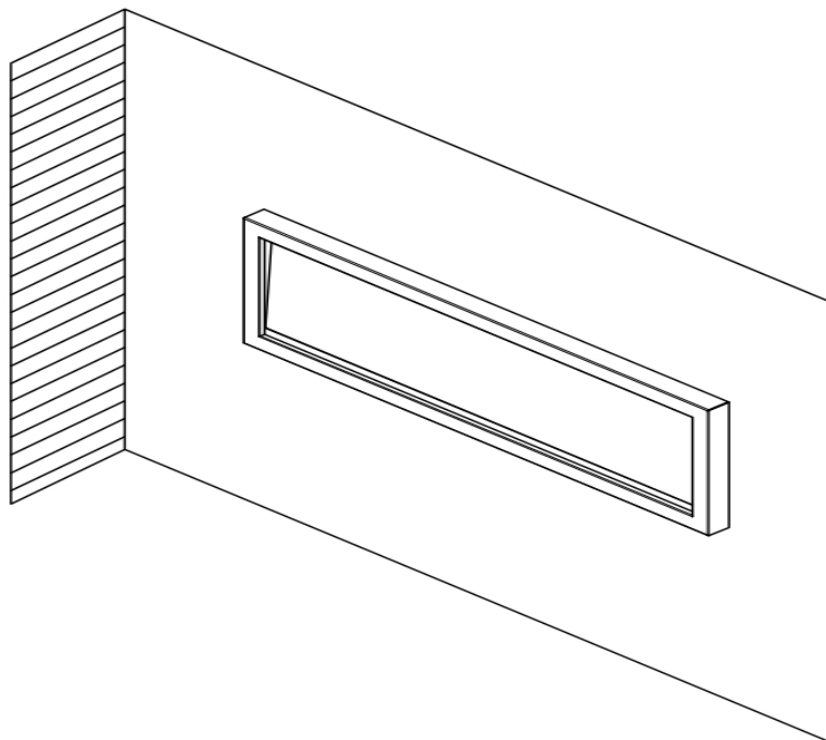
- Put the fireplace into the wall opening and fix it to the wall by screwing 2 screws each side.



6. Remove the trim following STEP 1. Screw back the inner side steel panels.



7. Put back the front glass panel and screw back the trim after you finish the media decoration.



HARDWIRE INSTALLATION

Turn off the appliance completely and let cool before servicing. Only a qualified service person should service and repair this electric appliance.

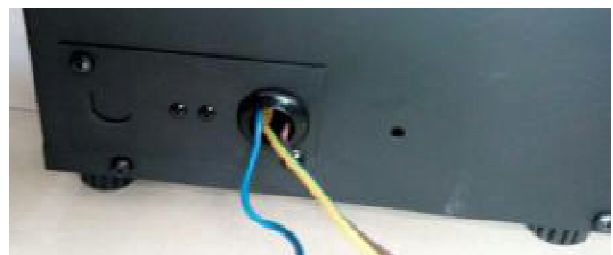
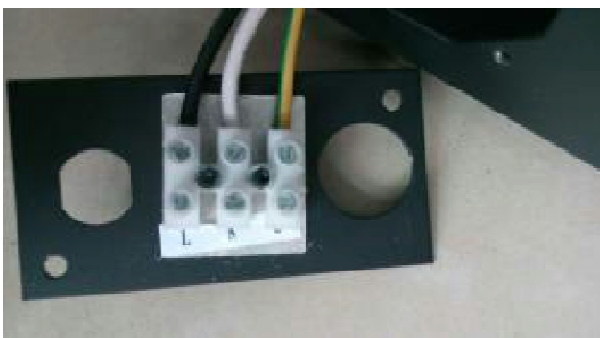
If it is necessary to hardwire this appliance, a qualified electrician must remove the cord connection, and wire the appliance directly to the house hold wiring.

This appliance must be electrically connected and grounded in accordance with local codes, if hardwired. In the absence of local codes, use the current CSA C22.1 CANADIAN ELECTRICAL CODE in Canada or the current ANS/NFPA 70 NATIONAL ELECTRICAL CODE in the United States.

1. Remove the cover plate from the left side of the appliance by removing the two screws, as shown below. Unscrew and remove power cord.



2. Attach the wiring to the junction block. Please make sure the live wire goes into the "L", the neutral wire into "N" and the ground wire into "G".



3. Return the cover plate to the left side and screw the two screws back in to fasten the plate.

Media Options

The media that come with this appliance are Birch Log Set, "Clear glass", one (1) bag of Black Vermiculite and one (1) bag of White Vermiculite. Consumers may purchase optional decorative media if they choose. See dealer for more details.



BIRCH LOG SET

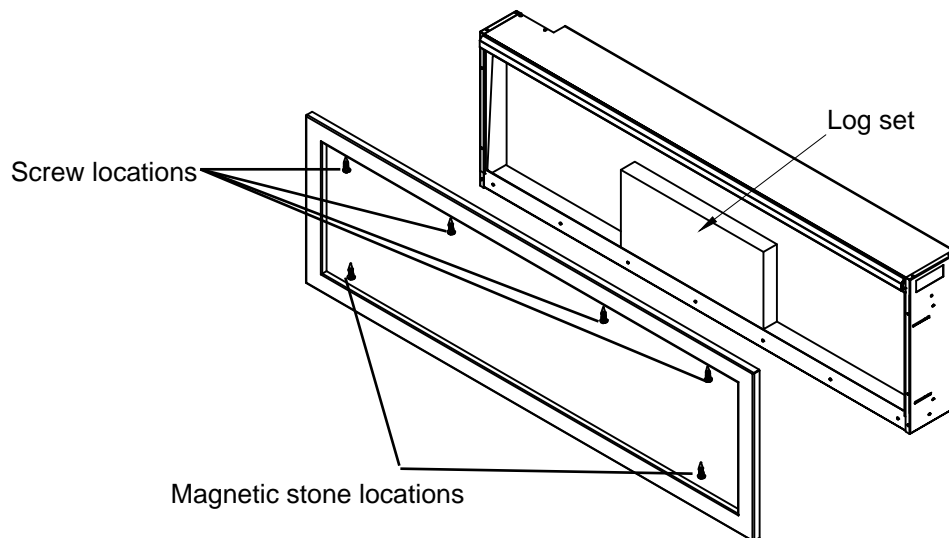


CLEAR GLASS

VERMICULITE

Decorative Media Installation

Unscrew 4 screws to take off the trim and get out the log set. (NOTE: Keep hold of the front glass as it may fall down automatically when the trim is removed.)



INSTALLING THE DECORATIVE MEDIA

Pour the fire glass media into the tray. Feel free to use any combination of the fire glass media that you find most appealing. Put back the trim and front glass after you finish installing the fire glass.



OPERATION



The Fireplace operates by using either the touch panel located on the upper left hand corner or by remote control.




Plug the fireplace into a 15 Amp wall socket.


2
2
2
2
2
2
2
2
2
2

MANUAL OPERATION



1. Press  to turn on and off the fireplace.
2. Press  to adjust the flame brightness. There are 6 brightness levels (L6-L1) and an off(OFF) position. Each time the flame button is pressed, the brightness of the flame decrease.

press the flame button for 10 seconds, the timing indicator light on and will rapidly blinks, at this time, You can use the TuyaSmart APP to connect to the fireplace.
3. Press  to adjust the ember Bed /Moodlight brightness. There are 11 brightness levels (d11-d2), dynamic condition(d1) ,and the OFF(OFF) setting you can cycle through.
4. Press  to set the turn-off time, 30min-1h-2h-3h-4h-5h-6h-7h-8h-t0. The indicator light the current timing. If the timing in off position, the second press will show 30. Multiple times to set operating duration to OF, 30 min, 1h, 2h, 3h, 4h, 5h, 6h, 7h, 8h.
5. Press  or the first time to display the current setting temperature, press the button again to clear the current temperature. If the heater in off position, the second press will show 22°C (72°F). Multiple times to set ambient temperatures at 22°C (72°F), 23°C (74°F), 24°C (76°F), 25°C (78°F), 26°C (80°F), 27°C (82°F), 28°C (84°F), 15°C (52°F), 16°C (54°F), 17°C (56°F), 18°C (58°F), 19°C (60°F), 20°C (62°F), 21°C (64°F).

Temperature unit convert functionZ When the heater is on, press and hold the “” Button for 5 seconds, current temperature unit display will convert to another temperature unit.

2
2
2
2
2
2
2
2
2
2




REMOTE CONTROL OPERATION







For remote to function make sure the fireplace is plugged in and the remote has batteries.

Important: When operating the remote make sure you point the remote to the center of the fireplace. Each time you press the button, the buzzer inside the unit will beep once. It takes some time for the receiver to respond to the transmitter. Do not PRESS the buttons more than once within two seconds for correct operation.

Set the current time of the remote control

Press the  to activate the remote control and press  the time and date.


When one of the "Sun" "Mon" "Tue" "Wed" "Thu" "Fri" "Sat" is flashing, press  or  to set the day of the week, press  to confirm day of the week and then enter hour setting.

Press  or  to set the hour, press  to confirm the hour and then enter minute setting. Press  or  to set the minute and press  to confirm the minute and finish time setting.



Press this Power button to turn on and off the fireplace.







Press this Timer button to set the time to turn off the fireplace. The available settings range from 30 minutes to 8 hours. As shown in the following: 0:30 - 1:00 - 1:30 - 2:00 - 2:30 - 3:00 - 3:30 - 4:00 - 4:30 - 5:00 - 5:30 - 6:00 - 6:30 - 7:00 - 7:30 - 8:00. Once you have set the timer, the  icon will be displayed on the LCD screen of the remote control. Press this button again to cancel the timer setting and the icon disappears.



Each time the Heater Button is pressed, the power of the heater will change. As shown the following: H1- H2- AUTO (22°C) - OFF (no display)

H1 means the fireplace on Low Heat/600W.



H2 means the fireplace on High Heat/1200W.

AUTO means fireplace can automatically adjust to the temperature you set. When in AUTO, you can set the desired temperature with  or  keys. You can switch temperature between Celsius and Fahrenheit with  or  keys. When it is on Auto mode, fireplace operate at 1200W.






Press this button to adjust the speed of the flame. There are 3 options: High- Medium- Low.














The Ember bed /moodlight Button turn the ember bed or moodlight on and off. When in on position, the display screen of the remote control shows AD1., when the number “1” flash, you can set the color with  or  keys. There are 10 different colors (AD1-10) and dynamic condition (AD11) to choose from.








Press the Flame button to turn on and off the Flame. When in ON position, the LCD screen of the remote control shows 6 6 6. Press  or  or  to change the brightness of each color flame.








7 Day Timer Function

Press  once, 7 days from Monday to Sunday will display on the LCD screen of the remote control, press  within 5 seconds to enter 7 day timer function. When “Sun” flashes, press  or  to select the day that you want to set, press  to confirm your setting. Then “ON” will be display on the LCD screen of the remote control, at the same time, digital of time hour flashes, press  or  to set the time to turn the fireplace on. After setting the startup time, “OFF” will be displayed on the LCD screen and press  or  to set the shutdown time. When the shutdown time's set, “AUTO” will be displayed on the LCD screen of the remote control and the digital of temperature flashes. At this time, you can set the temperature by  or . Now, you have finished setting of this function.

When the 7 day timer's set, the icon  will be displayed on the LCD screen of the remote control. Press  again to cancel the 7 day timer and the icon  will disappears.

NOTE: If the 7 day timing  and the general timing  are set at the same time, the system will respond to an earlier shutdown time.

 Press Refer button to check the settings of 7 day timer. Press  or  to see the settings of the day of the week and  or  the settings of the startup and shutdown time.



WIFI OPERATION

INSTALL TuyaSmart life

There are 2 ways to install TuyaSmart;

1. Search for “TuyaSmart life” in the APP store on your phone, download and install.
2. Scan the QR code below with your mobile phone.



WIFI SETTING AND FIREPLACE OPERATION

1. Create an account and log in.
2. When you log in, touch “+” (FIG.1) to enter in FIG.2. Touch “others” on the left corner first and then choose “Connector (Wi-fi)” to enter in FIG.3 to set your Wi-fi account and password.

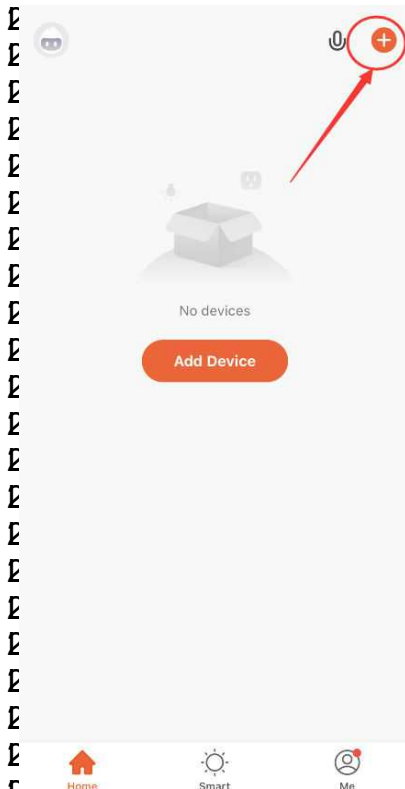


FIG.1



FIG. 2

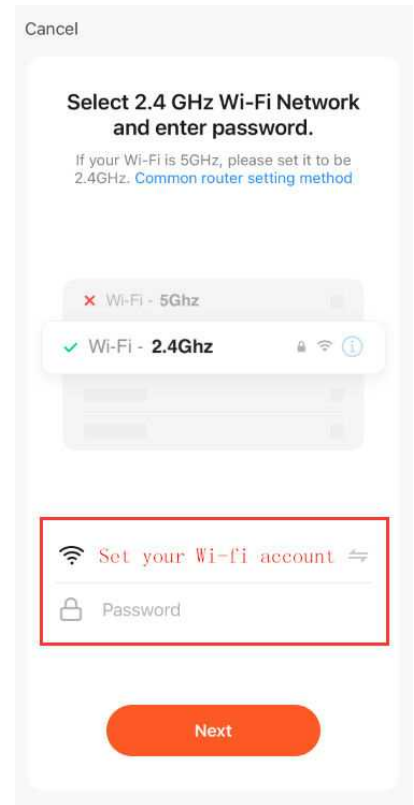


FIG.3

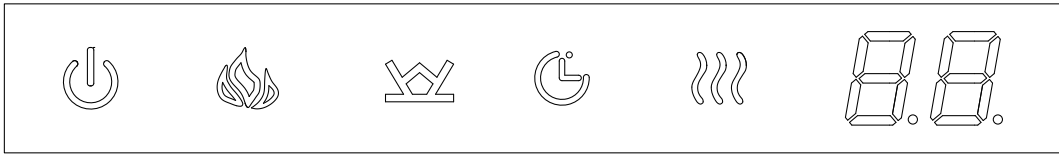




FIG.4

3. Press  (flame button) on the touch panel of the fireplace for more than 5 seconds when the fireplace is in standby mode. There will be 2 beeps come out from the fireplace and the  (flame button) will flash as well indicating that Wi-fi is in EZ mode. Then please confirm to go next. (FIG.5)
4. The APP will scan (FIG.6) and add the fireplace to APP (FIG.7) automatically. Please make sure the Wi-fi account and password you set are correct and Wi-fi signal is good.
5. Touch "Done" to finish Wi-fi setting.(FIG.7)

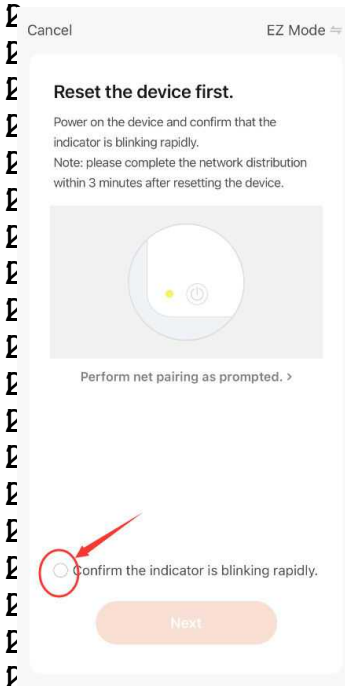


FIG.5

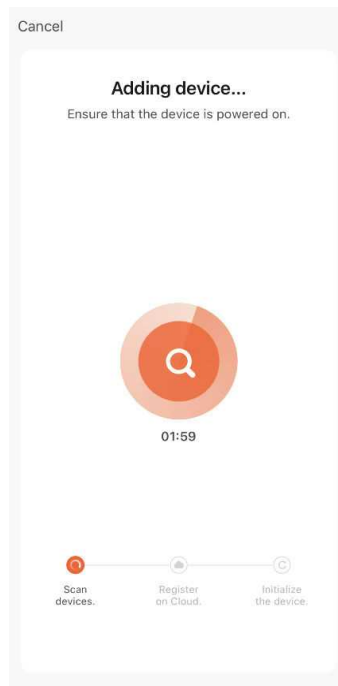


FIG.6

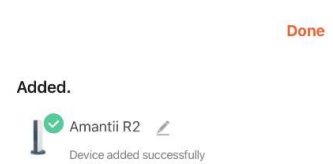


FIG.7

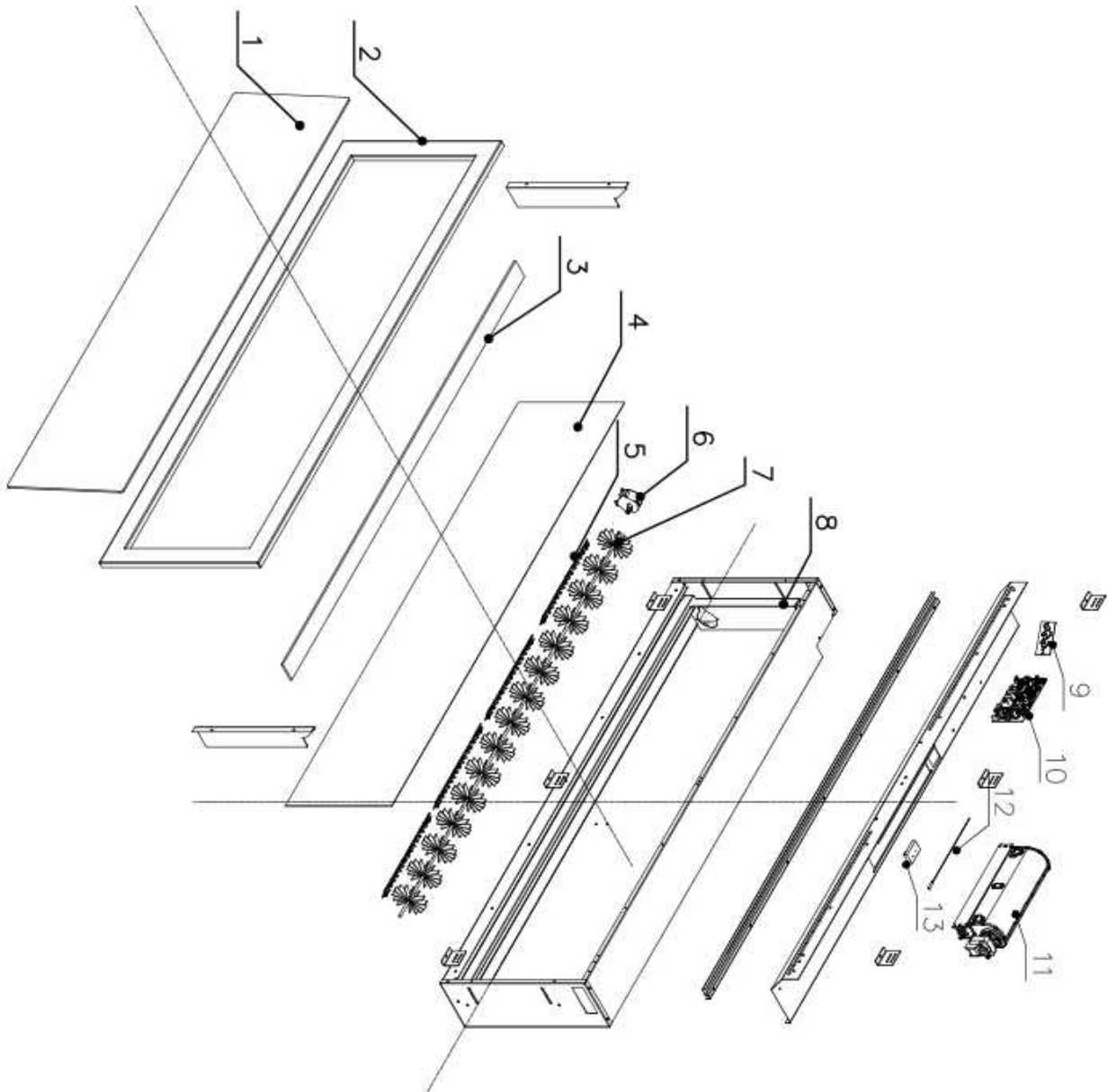
REPLACEMENT PARTS

Ref.	Description	Quantity	SYM-34 SM-190034-1	SYM-42 SM-190042-1	SYM-50 SM-190050-1	SYM-60 SM-190060-1	SYM-74 SM-190074-1	SYM-88 SM-190088-1	SYM-100 SM-1900100-1
1	Front Glass	1	10701358	10701359	10701346	10701347	10701348	10701363	10701364
2	Trim	1	3200503	3201503	3202503	3203503	3204503	3205503	326503
3	Tray Glass	1	10702224B	10702225B	10702210B	10702211B	10702212B	10702226B	10702227B
4	Back Glass	1	10702217	10702218	10702219	10702220	10702221	10702222	10702223
5	LED for the Flame	Qty Required Based on Size of Unit	601144 – Qty 2	601144 – Qty 3	601144 – Qty 4	601144 – Qty 5	601144 – Qty 6	601144 – Qty 7	601144 – Qty 8
5	LED for the Tray	Qty Required Based on Size of Unit	601136C-Qty 3	601136C-Qty 1	601137C-Qty 3	601136C-Qty 1	601136C-Qty 2	601136C-Qty 2	601136C-Qty 3
6	Flame motor	1	1010501						
7	Flicker Assembly	1	3200505B	3236505	3237505	3239505	3204505B	3205505B	3206505B
8	Fire Box	1							
9	Touch Panel	1	10124003	10124003	10124003	10124003	10124003	10124003	10124003
10	Circuit Board	1	10124129	10124129	10124129	10124129	10124129	10124129	10124129
11	Blower & Heater Assembly	1	602130B	602130B	602130B	602130B	602130B	602130B	602130B
12	Temperature sensor	1	10114001B	10114001B	10114001B	10114001B	10114001B	10114001B	10114001B
13	Signal Receiver	1	3001506B	3001506B	3001506B	3001506B	3001506B	3001506B	3001506B
14	Remote Control	1	10105501	10105501	10105501	10105501	10105501	10105501	10105501
15	Canopy Light	Qty Required Based on Size of Unit	601140B-Qty 1	601139B-Qty 1	601140B-Qty 1	601139B-Qty 1	601139B-Qty 1	601139B-Qty 1	601139B-Qty 2
16	WiFi Card	1	212051	212051	212051	212051	212051	212051	212051

*Remote Control, Canopy Light & Touch Panel are not shown in the exploded view

*Items may not appear exactly as illustrated

EXPLODED VIEW



TROUBLE SHOOTING

PROBLEM	POSSIBLE CAUSE	SOLUTION
Dim or no flame	Flame LED's are burnt out	Inspect the LED's and replace them if necessary
	Back black cloth is falling off and roll the flicker	Change a new flicker and back black cloth
Ember bed is not glowing or dimming	Ember LED's are burnt out	Inspect the ember bed LED's and replace them if necessary
Appliance turns off and will not turn on	Appliance has overheated and safety device has caused the thermal switch to disconnect	Turn off the main switch, allow appliance to cool for 10 minutes, then turn it on
	House circuit breaker has tripped	Reset house circuit breaker
	Appliance's fuse has blown	Replace the fuse
Appliance will not come on when switch is flipped to ON	Appliance is not plugged into an electrical outlet	Check plug and plug in
	Appliance has overheated and safety device has caused the thermal switch to disconnect	Turn off the main switch, allow appliance to cool for 10 minutes, then turn on
	Circuit board is burnt out	Inspect the circuit board and replace if necessary
No warm air coming out of appliance	Heater is burnt out	Inspect the burner and heater assembly and replace if necessary
Flame sputters	Flame motor is defective	Call a qualified service technician and replace flame motor
Remote Control does not work	Low batteries Unit switch in "O" position	Replace AAA batteries in remote control Turn the switch in "I" position
Flame is fixed	Wiring may be loose or the flame motor may be defective	

WARRANTY FOR PRODUCTS MANUFACTURED AFTER JANUARY 1st, 2016

Amantii Imports Corp. ("Amantii ") warrants that your newly purchased Amantii electric fireplace is free from manufacturing and material defects for a period of two (2) years from the date of the first purchase, subject to the conditions and limitations contained below.

Warranty Application & Exclusions

This limited warranty applies to your newly purchased Amantii electric fireplace; the limited warranty's application is limited to purchases made in any province of Canada or in any of the 52 States of the United States of America, including the District of Columbia. Only the original purchaser of the product is eligible for coverage under this limited warranty; the warranty is not transferable.

Products excluded from this limited warranty

Light bulbs are not covered by this limited warranty and are the sole responsibility of the owner/ purchaser. Amantii does not cover service or labor charges.

Warranty Coverage and Term

Products covered by this limited warranty have been tested and inspected prior to shipment and, subject to the provisions of this warranty, Amantii warrants such products to be free from defects in material and workmanship for a period of two (2) years from the date of the first purchase of such products.

The limited two (2) year warranty period for products also applies to any implied warranties that may exist under applicable law. Some jurisdictions do not allow limitations on how long an implied warranty lasts, so the above limitation may not apply to the purchaser.

All other warranties-expressed or implied-with respect to the product, its components and accessories or any obligation/liabilities on the part of Amantii are hereby expressly excluded.

Limitations to Coverage Under Limited Warranty

This limited warranty does not apply to products that have been repaired, except by Amantii or its authorized service representatives, or otherwise altered. This limited warranty further does not apply to defects resulting from misuse, abuse, accident, neglect, incorrect installation, improper maintenance or handling, or operation with an incorrect power source. Products made by other manufacturers, sold with the product or thereafter, are not covered by this limited warranty. The use of unauthorized components will render this warranty null and void.

Panorama Outdoor Units

All Panorama units that are installed outdoors or in moisture intense conditions must use the stainless steel cover. Proof of purchase of the cover is required for any warranty claims.

Defects

Defects must be brought to the attention of the selling dealer. Please have your proof of purchase, catalogue/model and serial numbers available when contacting dealer; any and all service under the limited warranty requires a proof of purchase of the product. Should a product or part covered by this limited warranty be proven to be defective, in material or workmanship, and during the two (2) year limited warranty period, Amantii will replace such defective product or part without charge. If Amantii is unable to replace such product, or if replacement is not commercially practicable or cannot be timely done, in its sole discretion Amantii may, in lieu of replacement, choose to refund the purchase price for such product or part. Amantii does not cover labor or service charges to replace said parts.

Limitations

In no event will Amantii, including without limitation any of its directors, officers, shareholders, employees, consultants, agents, heirs, executors, administrators and assigns, be liable to the purchaser or any third party, whether in contract, in tort, or on any other basis for any indirect, special, punitive, exemplary, consequential, or incidental loss, cost or damage arising out of or in connection with the sale, maintenance, use or inability to use the product, even if Amantii, including without limitation any of its directors, officers, shareholders, employees, consultants, agents, heirs, executors, administrators and assigns, have been advised of the possibility of such losses, costs or damages, or if such losses, costs or damages are foreseeable. In no event will Amantii, including without limitation any of its directors, officers, shareholders, employees, consultants, agents, heirs, executors, administrators and assigns, be liable for any direct losses, costs or damages that exceed the purchase price of the product.

Some jurisdictions do not allow the exclusion or limitation of incidental or consequential damages, so the above limitation or exclusion may not apply to the purchaser.

Application of Provincial and State Law

This limited warranty gives you specific legal rights, and you may also have other rights which vary from jurisdiction to jurisdiction. The provisions of the United Nations Convention on Contracts for the Sale of Goods shall not apply to this limited warranty or the sale of products covered by this limited warranty.

General

Amantii reserves the right to make changes at any time without notice, in design, material, specifications, prices and the right to discontinue styles and products.