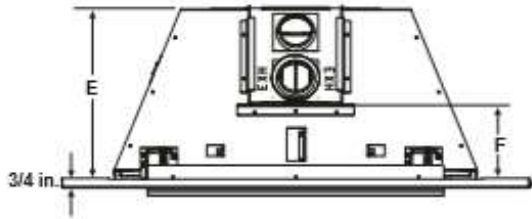
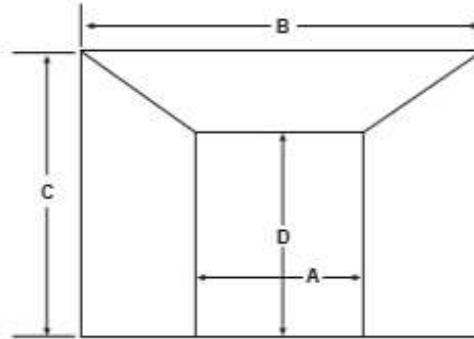


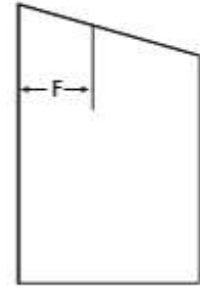
TOP VIEW



FRONT VIEW



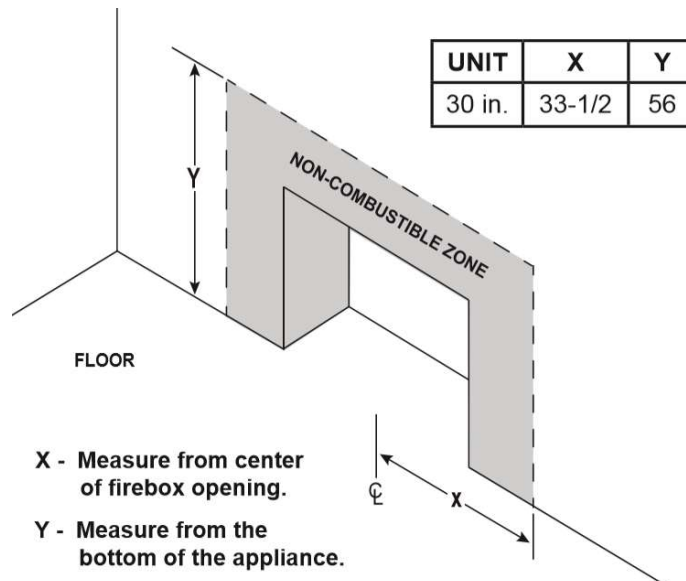
SIDE VIEW

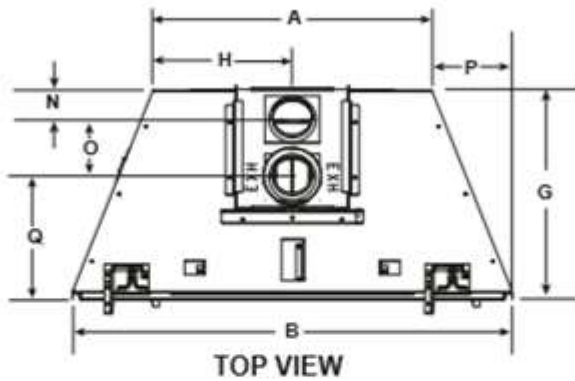


MINIMUM FIREBOX OPENING			
Location		30 inch	
		Inches	Millimeters
A	Opening Width - Rear	20-1/8	511
B	Opening Width - Front	31-5/8	803
C	Opening Height - Front	21	533
D	Opening Height - Rear	19-3/16	487
E*	Unit Opening Depth	15	381
F	Venting Depth - Front	7-5/8	194

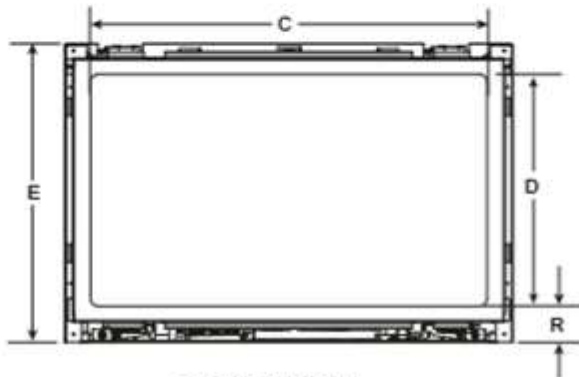
Note: Dimensions assume 1/4 inch clearance on all sides.
 Note: If exhaust collar on insert and fireplace damper do not line up, add 4 inches (102 mm) to minimum fireplace height for bends in vent pipe.

*Unit depth is measured to the back of the surround to give the depth needed for installation.

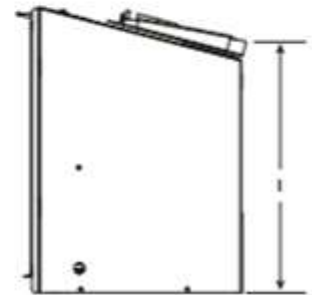




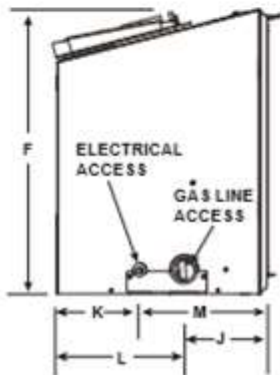
TOP VIEW



FRONT VIEW



RIGHT SIDE



LEFT SIDE

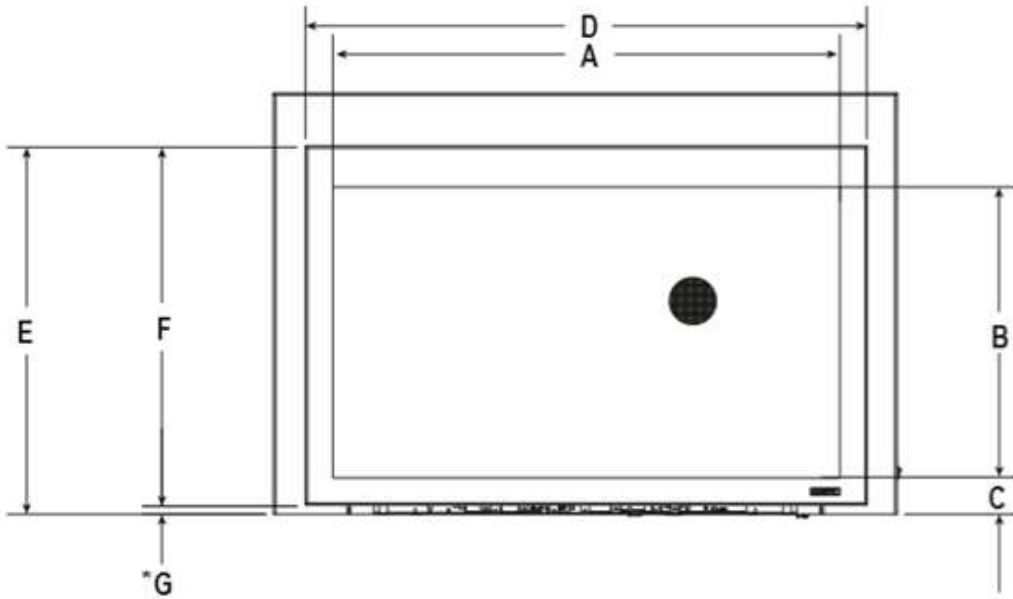
MODEL DIMENSIONS		
Location	30 in.	
	IN	MM
A	19-5/8	499
B	31-1/8	791
C	27-1/2	699
D	15-15/16	405
E	20-3/4	527
F	20-1/8	511
G*	14-1/2	369
H	9-13/16	249
I	18-15/16	481

MODEL DIMENSIONS		
Location	30 in.	
	IN	MM
J	5-11/16	144
K	5-7/8	149
L	9	229
M	8-3/4	222
N	2-1/8	54
O	4-1/16	103
P	5-3/4	146
Q	8-3/4	222
R	2-7/16	62

*Note: Location G is the appliance depth measurement.

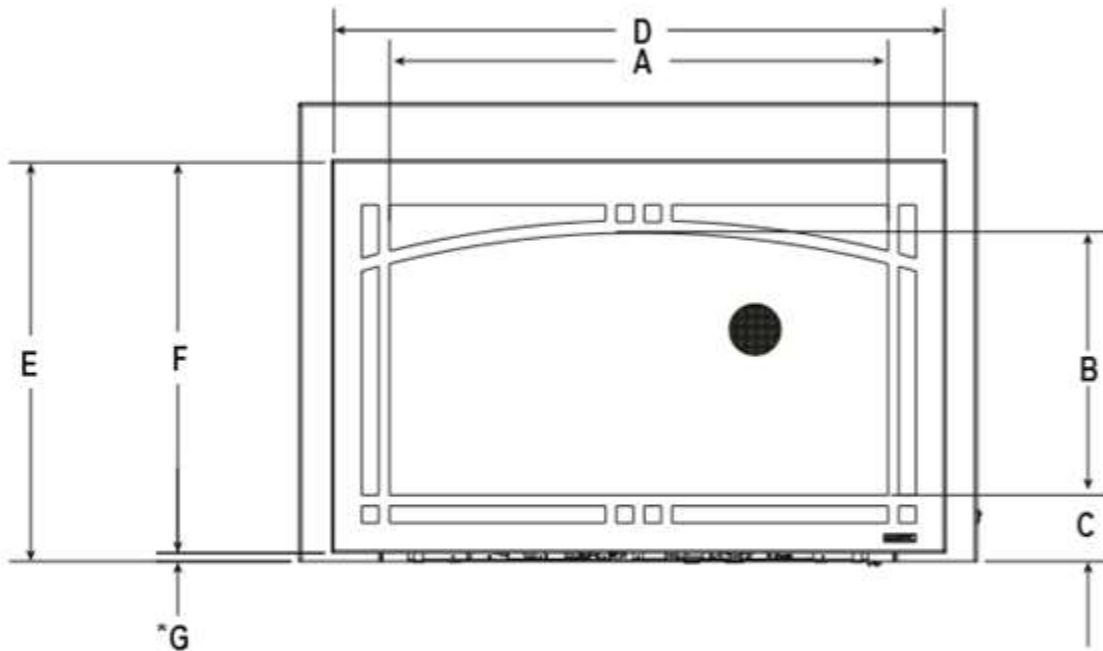
DECORATIVE FRONTS - CLEAN SCREEN

* NOTICE: 1/2 inch gap must be maintained
or components will overheat.



			A	B	C	D	E	F	G
JASPER30IN	CSFI30	in.	32-3/8	18-5/8	3-1/8	36	23-1/2	23	1/2
		mm	822	473	79	914	597	584	13

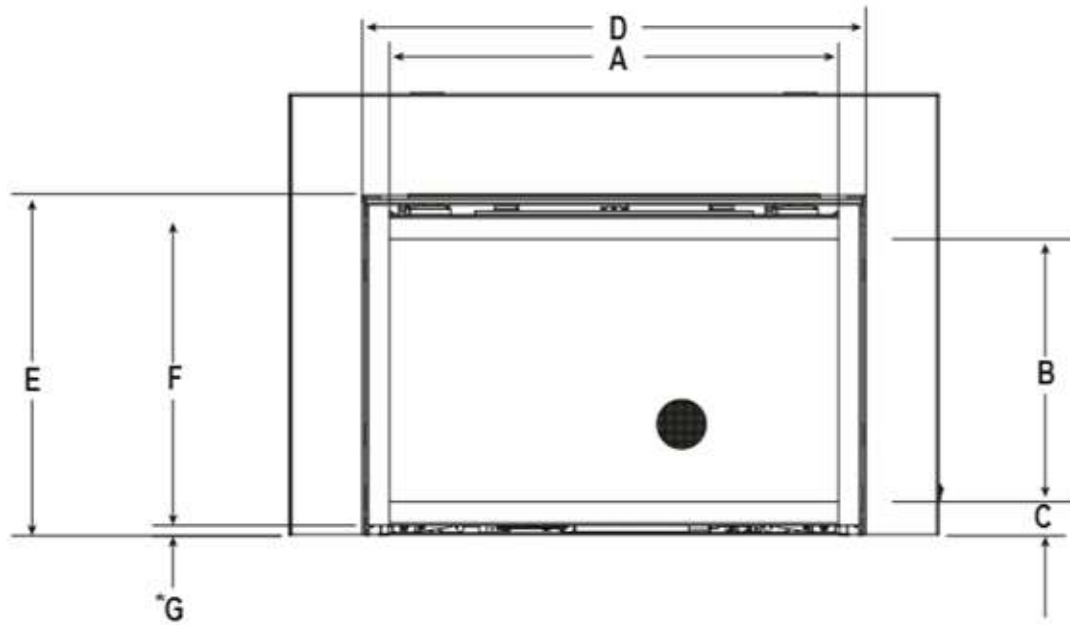
DECORATIVE FRONTS - CONTEMPORARY ARCH



			A	B	C	D	E	F	G
JASPER30IN	CASFI30	in.	29-1/16	15-3/8	3-7/8	36	23-1/2	23	1/2
		mm	738	391	98	914	597	584	13

DECORATIVE FRONTS - INSIDE FIT

* **NOTICE:** 1/2 inch gap must be maintained or components will overheat.



		A	B	C	D	E	F	G	
JASPER30IN	INFIT-30	in.	27-5/8	16-1/16	1-7/8	30-5/8	20-1/2	20	1/2
		mm	702	408	48	778	521	508	13