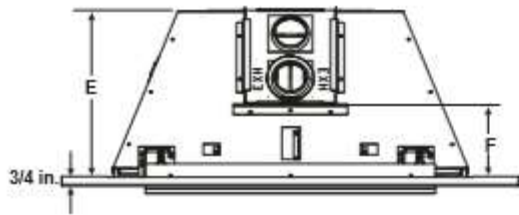
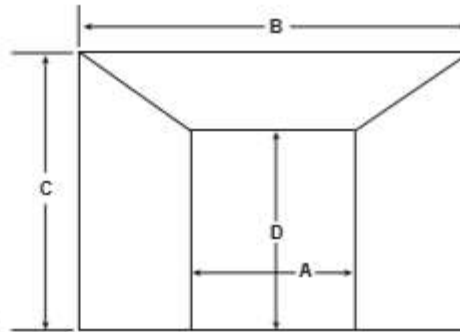


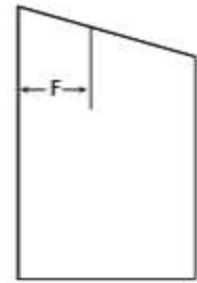
TOP VIEW



FRONT VIEW



SIDE VIEW



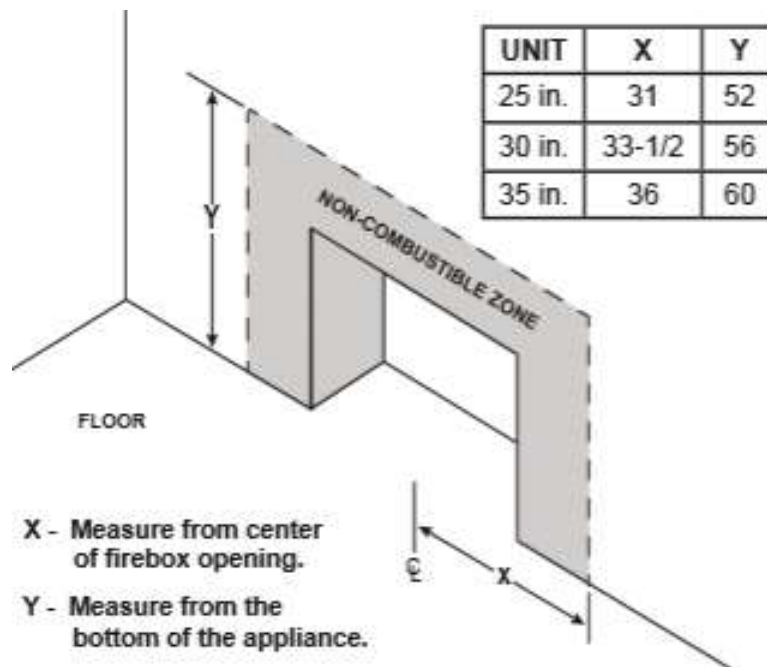
MINIMUM FIREBOX OPENING

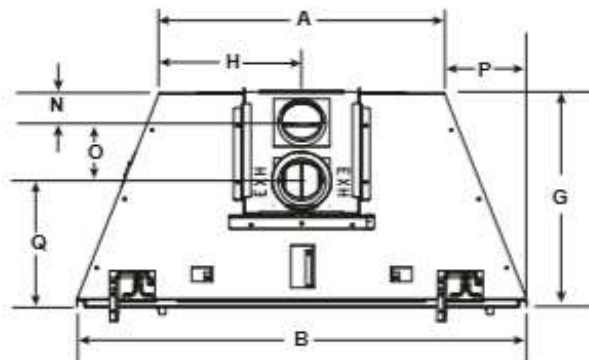
Location		25 inch		30 inch		35 inch	
		Inches	Millimeters	Inches	Millimeters	Inches	Millimeters
A	Opening Width - Rear	15-1/8	384	20-1/8	511	25-1/8	638
B	Opening Width - Front	26-5/8	676	31-5/8	803	36-5/8	930
C	Opening Height - Front	17-5/16	439	21	533	24-1/4	616
D	Opening Height - Rear	15-1/4	387	19-3/16	487	21-11/16	551
E*	Unit Opening Depth	15	381	15	381	15	381
F	Venting Depth - Front	7-5/8	194	7-5/8	194	7-5/8	194

Note: Dimensions assume 1/4 inch clearance on all sides.

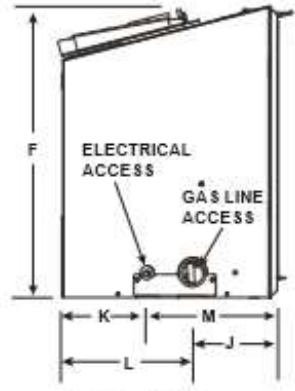
Note: If exhaust collar on insert and fireplace damper do not line up, add 4 inches (102 mm) to minimum fireplace height for bends in vent pipe.

*Unit depth is measured to the back of the surround to give the depth needed for installation.

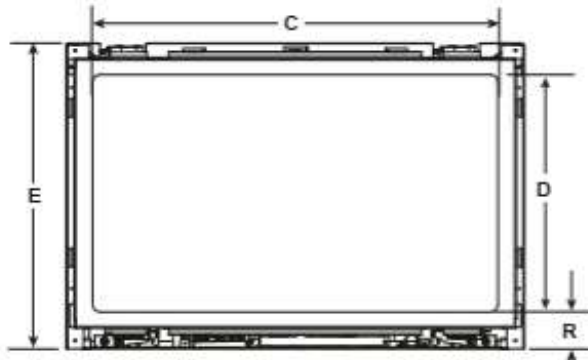




TOP VIEW



LEFT SIDE



FRONT VIEW



RIGHT SIDE

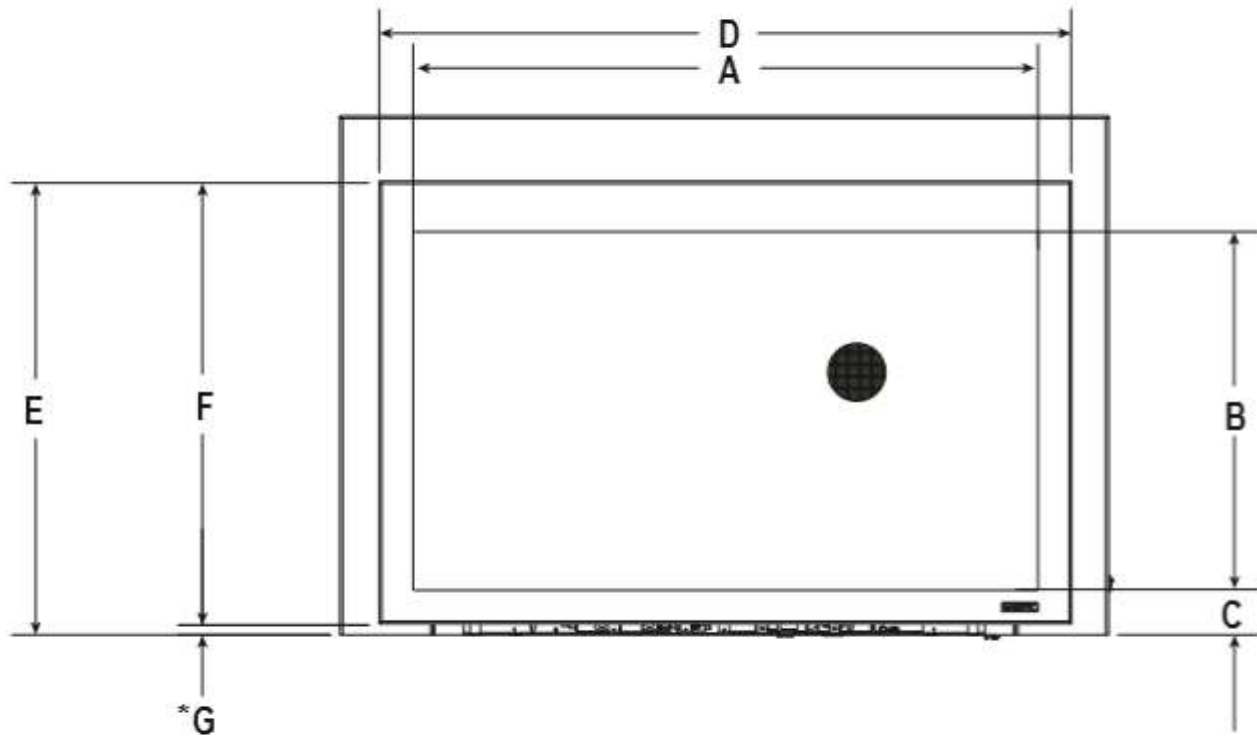
MODEL DIMENSIONS						
Location	25 in.		30 in.		35 in.	
	IN	MM	IN	MM	IN	MM
A	14-5/8	372	19-5/8	499	24-5/8	626
B	26-1/8	664	31-1/8	791	36-1/8	918
C	22-1/2	572	27-1/2	699	32-1/2	826
D	12-7/16	316	15-15/16	405	19-3/8	492
E	17-1/16	433	20-3/4	527	24	610
F	16-5/8	422	20-1/8	511	23-5/8	600
G*	14-1/2	368	14-1/2	369	14-1/2	368
H	7-5/16	186	9-13/16	249	12-5/16	313
I	15	381	18-15/16	481	21-7/16	545

MODEL DIMENSIONS						
Location	25 in.		30 in.		35 in.	
	IN	MM	IN	MM	IN	MM
J	5-11/16	144	5-11/16	144	5-11/16	144
K	5-7/8	149	5-7/8	149	5-7/8	149
L	9	229	9	229	9	229
M	8-3/4	222	8-3/4	222	8-3/4	222
N	2-1/8	54	2-1/8	54	2-1/8	54
O	4-1/16	103	4-1/16	103	4-1/16	103
P	5-3/4	146	5-3/4	146	5-3/4	146
Q	8-3/4	222	8-3/4	222	8-3/4	222
R	2-7/16	62	2-7/16	62	2-7/16	62

*Note: Location G is the appliance depth measurement.

DECORATIVE FRONTS - CLEAN SCREEN

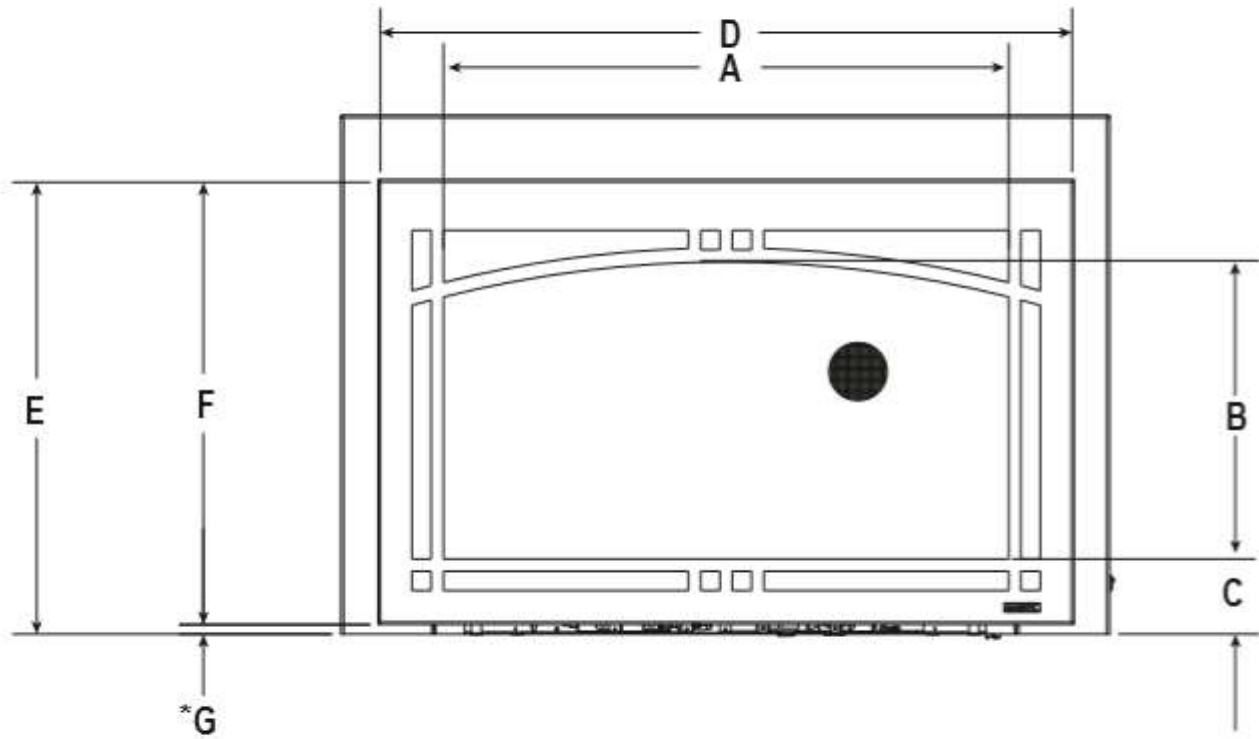
* **NOTICE:** 1/2 inch gap must be maintained or components will overheat.



			A	B	C	D	E	F	G
RUBY25	CSFI25	in.	27-3/8	15-1/8	3-1/2	31	20	19-1/2	1/2
		mm	695	384	89	787	508	495	13
RUBY30	CSFI30	in.	32-3/8	18-5/8	3-1/8	36	23-1/2	23	1/2
		mm	822	473	79	914	597	584	13
RUBY35	CSFI35	in.	37-3/8	22-1/8	3-1/8	41	27	26-1/2	1/2
		mm	949	562	79	1041	686	673	13

DECORATIVE FRONTS - CONTEMPORARY ARCH

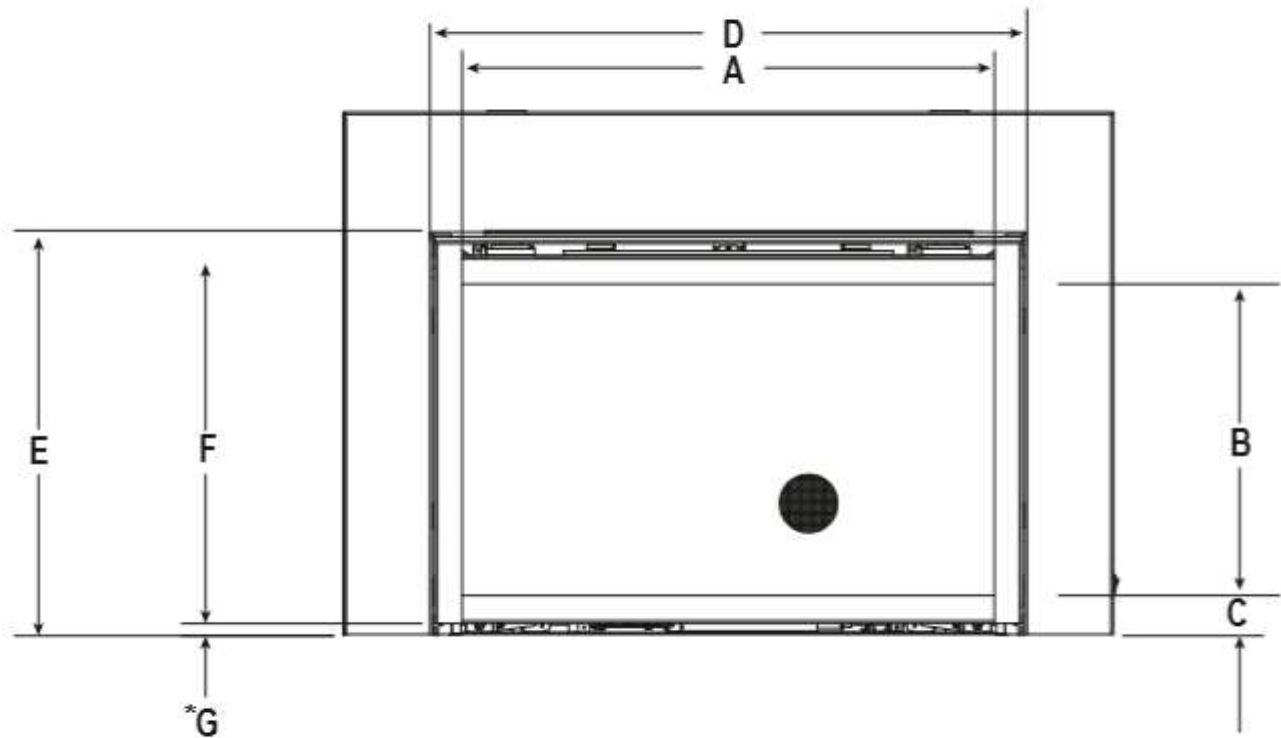
* **NOTICE:** 1/2 inch gap must be maintained or components will overheat.



			A	B	C	D	E	F	G
RUBY25	CASFI25	in.	24-1/16	12	3-7/8	31	20	19-1/2	1/2
		mm	610	305	98	787	508	495	13
RUBY30	CASFI30	in.	29-1/16	15-3/8	3-7/8	36	23-1/2	23	1/2
		mm	738	391	98	914	597	584	13
RUBY35	CASFI35	in.	34-1/16	18-7/8	3-7/8	41	27	26-1/2	1/2
		mm	865	479	98	1041	686	673	13

DECORATIVE FRONTS - INSIDE FIT

** NOTICE: 1/2 inch gap must be maintained or components will overheat.*



			A	B	C	D	E	F	G
RUBY25	INFIT-25	in.	22-5/8	12-9/16	1-7/8	25-5/8	17	16-1/2	1/2
		mm	575	319	48	651	432	420	13
RUBY30	INFIT-30	in.	27-5/8	16-1/16	1-7/8	30-5/8	20-1/2	20	1/2
		mm	702	408	48	778	521	508	13
RUBY35	INFIT-35	in.	32-5/8	19-9/16	1-7/8	35-5/8	24	23-1/2	1/2
		mm	829	497	48	905	610	597	13