



TRD-38 shown with Birch Logs
and 3-sided trim

INSERTS
ELECTRIC FIREPLACES

Amantii

SIERRA  **FLAME**

ELECTRICS BY AMANTII

Designed as a perfect alternative for wood or gas inserts, our electric insert replaces breathe new life into new or aging masonry or metal replaces.

Both stylish and practical, the Amantii electric inserts are quick and easy to install making them an ideal application for the renovation and home improvement market.

KEY FEATURES

- Zero emissions, compared to gas and wood, but with traditional looks
- Rated for Indoor and Outdoor applications
- State of the art Fire and Ice® flame set with a click of the remote change the flame from traditional colors such as orange to more contemporary blue, purple, rose and violet colors
- Can produce up to 1200W 4096 BTU heat, Heats approx. 400 sq ft
- 2 stage heater
Flame operates with our without heat

The Insert series offers a vibrant multi-colored state-of-the-art flame that is easily changed from blue to purple to violet to orange or yellow with just a click of the remote.

- Hard wire ready
Thermostat hard wire ready
- Remote control for flame and heater
- 2 Flame sets. Ambient canopy lighting in 13 colors illuminates media like never before
- Heater is located in inner top of the unit, thus allowing the heat to cascade down over the top of the glass
- Hidden venting allows for a true clean face appearance

IDEAL APPLICATIONS

- Apartments
- New construction or renovations
- Outdoor spaces

TECHNICAL SPECS

Volts	120V 60Hz
Amps	10
Watts	1200 W
Heater On	1200 watts high, 600 watts low
Heater Off	22 watts
Rotor Motor	1 at 5 watts
BTU	4096

SERIES MODELS:

- TRD-26
- TRD-30
- TRD-33
- TRD-38

TRD-26



*Height, Width, Depth: 16 3/4" x 25 1/4" x 11 3/8"
Glass Viewing Opening & Size: 15 1/2" x 27 1/2"
**Shipping Size: 21 4/8" x 33 7/8" x 14 5/8"
Shipping Weight: 57.5 lbs. Glass Included

TRD-30



*Height, Width, Depth: 19 1/8" x 29 3/8" x 11 3/8"
Glass Viewing Opening & Size: 15 1/2" x 27 1/2"
Glass Size: 15 1/2" x 27 1/2"
**Shipping Size: 21 4/8" x 33 7/8" x 14 5/8"
Shipping Weight: 68.6 lbs. Glass Included



TRD-38

*Height, Width, Depth: 27 1/4" x 37 1/8" x 12 3/8"
 Glass Viewing Opening & Size: 23 5/8" x 35 1/4"
 **Shipping Size: 29 5/8" x 41 6/8" x 15 4/8"
 Shipping Weight: 101.4 lbs. Glass Included

TRD-33



INCLUDED ACCESSORIES

10 piece Birch log set, charcoal grey real reglass media and two bags of vermiculite, in black and white, plus a remote. A steel trim and glass inlay are included for the 26, 30, 33 & 38 models only.



DESIGN-MEDIA-BIRCH-10PCE



*Remote control may not be exactly as shown

*Height, Width, Depth: 22 1/4" x 31 3/4" x 11 3/8"
 Glass Viewing Opening & Size: 18 3/4" x 29 7/8"
 Glass Size: 18 3/4" X 29 7/8"
 **Shipping Size: 24 5/8" x 36 2/8" x 14 5/8"
 Shipping Weight: 78 lbs. Glass Included

Fire Glass

Our decorative re glass media is a beautiful addition to your replace. Turn your replace into a expressive work of art by simply adding our decorative re glass media. Our re glass adds a distinctly modern feel to your gas replace - mix colors and textures for a unique appearance.

Our decorative re glass is tempered and will not melt or degrade, some discoloration is normal on glass that is placed directly on the ame. Always wear protective gloves when handling re glass media.

One 5lb container of media will cover 1 square foot.

AMSF-GLASS-01



AMSF-GLASS-02



AMSF-GLASS-03



AMSF-GLASS-04



AMSF-GLASS-05



AMSF-GLASS-06



AMSF-GLASS-07



AMSF-GLASS-08



AMSF-GLASS-09



AMSF-GLASS-10



Decorative Media Options

AMSF-GLASS-11



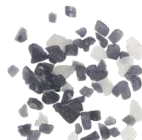
AMSF-GLASS-12



AMSF-GLASS-13



AMSF-GLASS-14



FI-105-DIAMOND



FI-106-DIAMOND



FI-107-DIAMOND



FI-109 DIAMOND



LOG SET



LRG LOG SET



CLEAR

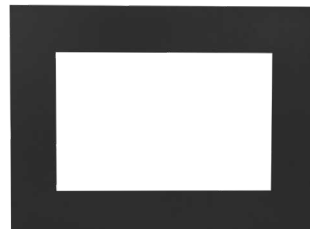


Trims

3-sided and 4-sided trims are made of 22 gauge metal, and available for the 26, 30, 33, 38 models.

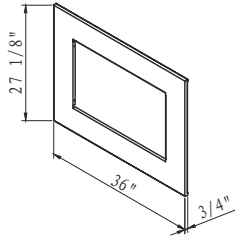


3-sided trim

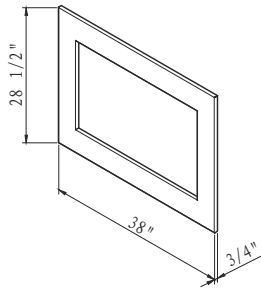


4-sided trim

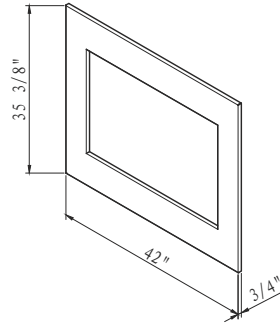
TRD-26



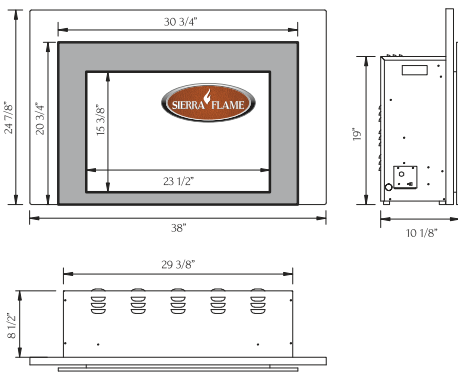
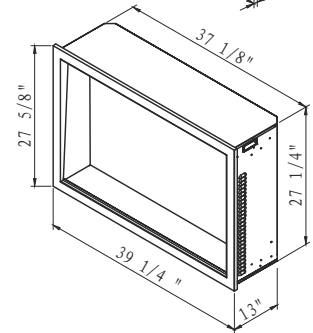
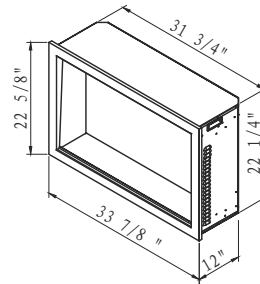
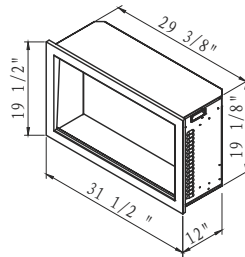
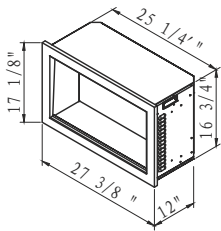
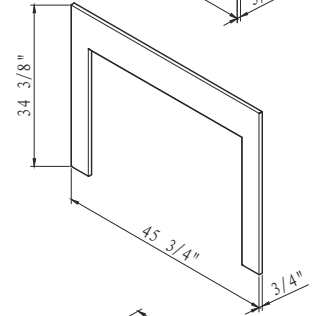
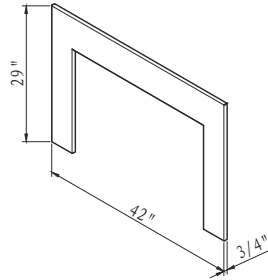
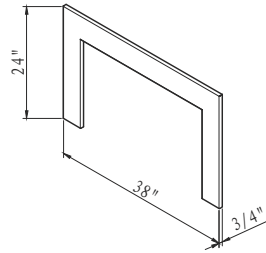
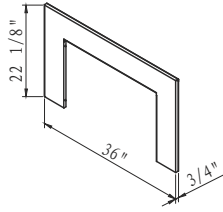
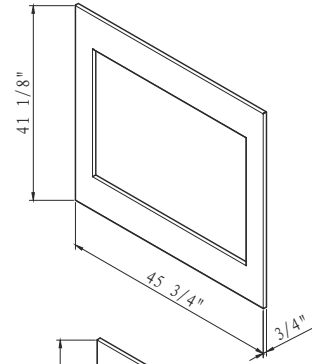
TRD-30



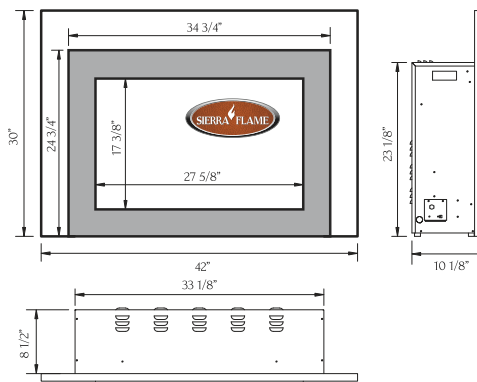
TRD-33



TRD-38



INS-FM-30



INS-FM-34

AM-SF-Inserts JAN 2020

Distributed By:



Visit our online showrooms at:

www.amantii.com

We reserve the right to update products, specifications and dimensions are subject to change. Please refer to the product manual to verify measurements and clearance requirements. All local building codes must be followed.