


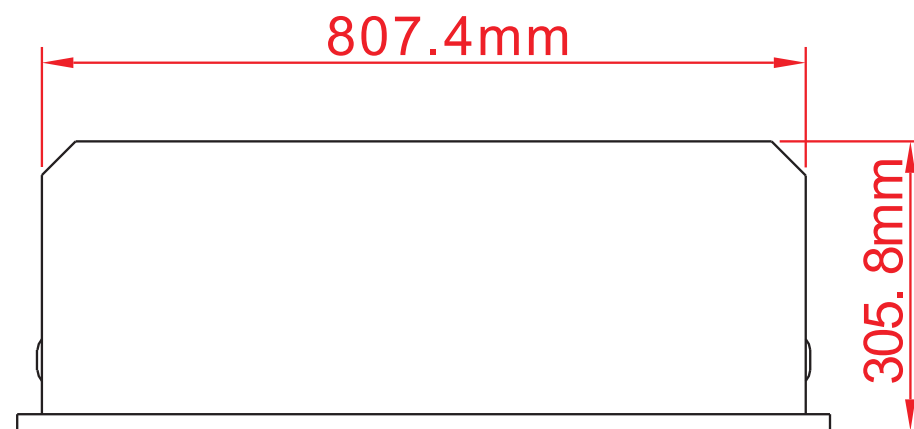
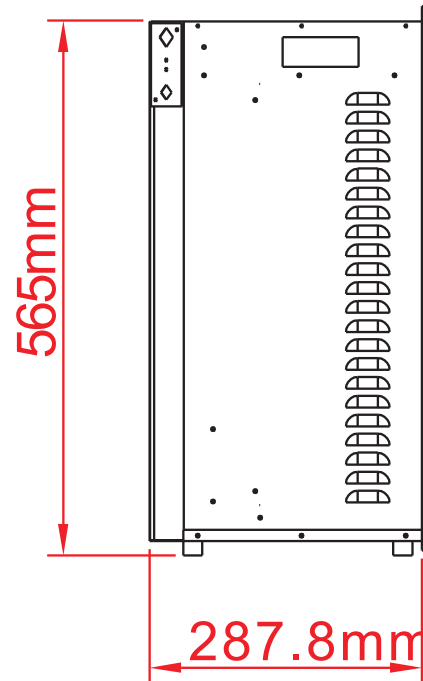
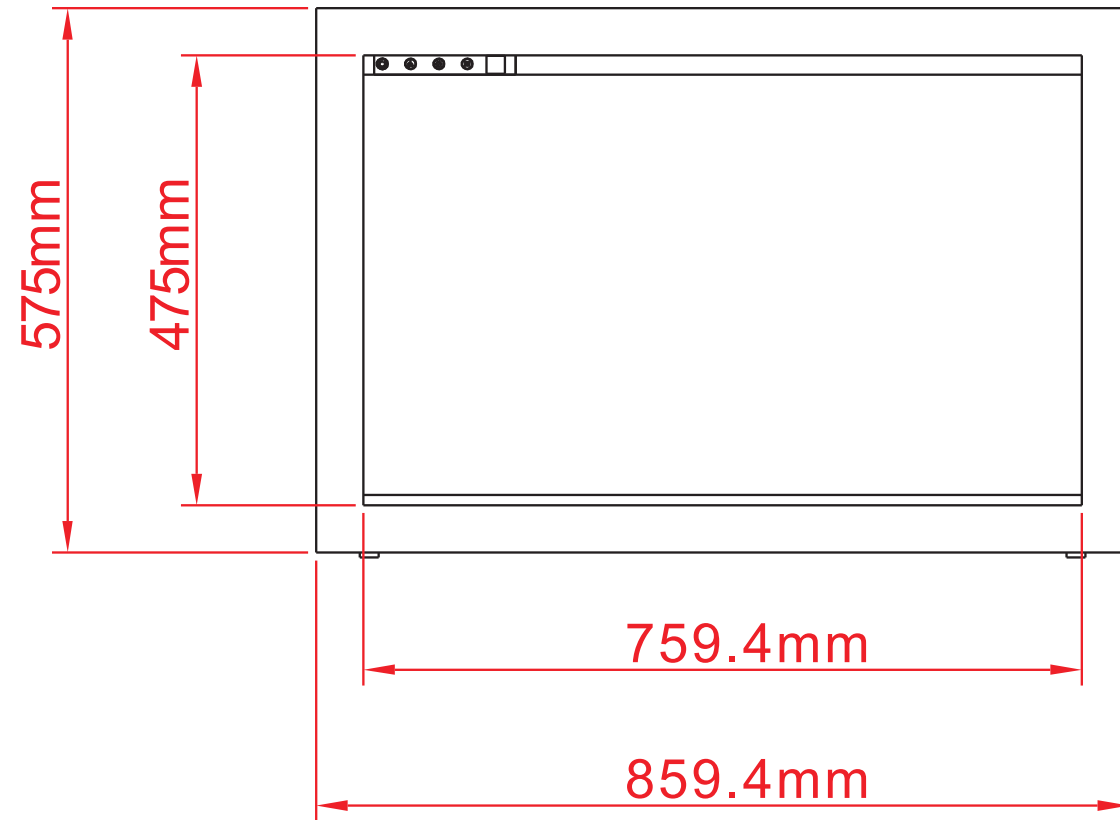
TECHNICAL SPECIFICATIONS

| | | |
|-----------------------|-----------------------------|------------|
| VOLTS | 120V 60Hz | |
| AMPS | 12.5 | |
| WATTS | 1500 W | |
| HEATER | HIGH | 1500 watts |
| | LOW | 750 watts |
| NO HEATER | 27 watts | |
| LAMPS | TYPE | LED |
| | WATTS | |
| | TOTAL WATTS | 26.3 watts |
| ROTOR MOTOR | 1 at 2.9 watts | |
| HEIGHT,WIDTH,DEPTH | 22 1/4" x 31 3/4" x 11 3/8" | |
| GLASS VIEWING OPENING | 18 3/4" X 29 7/8" | |
| GLASS SIZE | 18 1/4" X 29 7/8" | |
| SHIPPING SIZE | 24 5/8" x 36 3/4" x 14 5/8" | |
| SHIPPING WEIGHT | 78 lbs | |
| | UNIT | 60.6 lbs |
| GLASS FRONT | Included | |
| PLUG LOCATION | Left Side | |
| CORD LENGTH | 76" | |
| APPROX. HEATING AREA | 400 sq ft | |

Amantii

09.11.2011-rev

| | | | |
|----------------|------------------|---|-----|
| SERIES | MODEL |  | REV |
| TRADITIONAL | TRD-33 BESPOKE | | 1 |
| SCALE 1"=1'-0" | DATE: 08/08/2021 | SHEET 1 OF 1 | |



TECHNICAL SPECIFICATIONS

| | | |
|-----------------------|-----------------------|------------|
| VOLTS | 120V 60Hz | |
| AMPS | 12.5 | |
| WATTS | 1500 W | |
| HEATER | HIGH | 1500 watts |
| | LOW | 750 watts |
| NO HEATER | 27 watts | |
| LAMPS | TYPE | LED |
| | WATTS | |
| | TOTAL WATTS | 26.3 watts |
| ROTOR MOTOR | 1 at 5 watts | |
| HEIGHT,WIDTH,DEPTH | 56.5 x 80.7 x 28.8 cm | |
| GLASS VIEWING OPENING | 47.5 X 75.95 cm | |
| GLASS SIZE | 47.5 X 75.95 cm | |
| SHIPPING SIZE | 62.5 x 93.2 x 37 cm | |
| SHIPPING WEIGHT | 35.4 Kgs | |
| | UNIT | 27.5 Kgs |
| GLASS FRONT | Included | |
| PLUG LOCATION | Left Side | |
| CORD LENGTH | 193 cm | |
| APPROX. HEATING AREA | 37 sqm | |

Amantii
09.11.21 - revised

| | | | |
|-----------------------|-------------------------|---|--------------|
| SERIES TRADITIONAL | MODEL TRD-33 BESPOKE |  | REV 1 |
| SCALE 1:12 | DATE: 08/08/2021 | | SHEET 1 OF 1 |