

## TWI-MOD-BK, TWI-MOD-GY Doors

### Models: Twilight-II-C, Twilight-II-MDC Door

- Installation Instructions -



Leave this manual with party responsible for use and operation.

**CAUTION! Risk of Cuts, Abrasions or Flying Debris.** Wear protective gloves and safety glasses during installation. Sheet metal edges are sharp.

**CAUTION! Do not install damaged components.**

**DANGER**



**HOT GLASS WILL CAUSE BURNS.**

**DO NOT TOUCH GLASS UNTIL COOLED.**

**NEVER ALLOW CHILDREN TO TOUCH GLASS.**

A barrier designed to reduce the risk of burns from the hot viewing glass is provided with this appliance and shall be installed for the protection of children and other at-risk individuals.

**WARNING! Risk of Fire! Combustible materials MUST NOT overlap or be placed under a surround.**

#### CONTENTS:

- (1) Decorative Front

Verify and remove contents from packaging before beginning installation.

#### INSTALLATION

1. Bend the (4) handbend J-hooks on the back of the inner door to 90° perpendicular to allow for easy hanging of the door on the unit. Adjust handbend J-hooks if needed. See Figure 2 for reference.

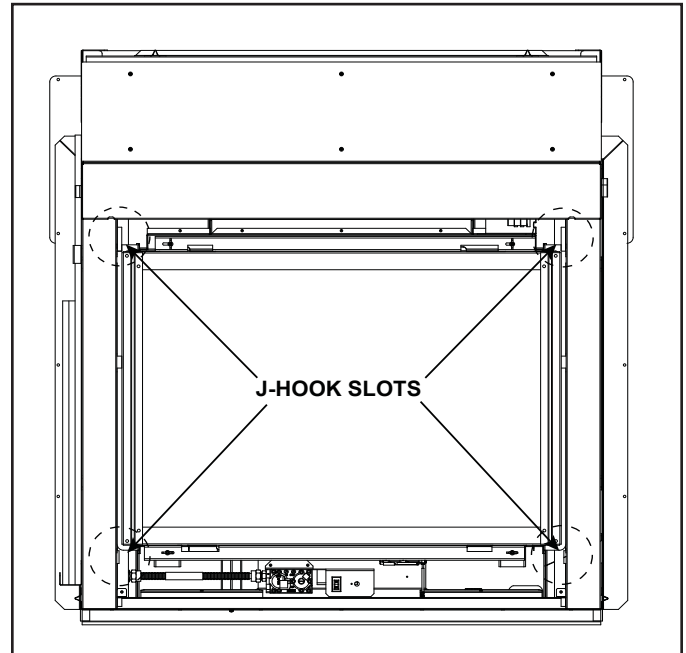


Figure 1. J-Hook Slot Location

2. Attach the inner door to the appliance, mount the J-hooks in the appliance slots. See Figure 2.

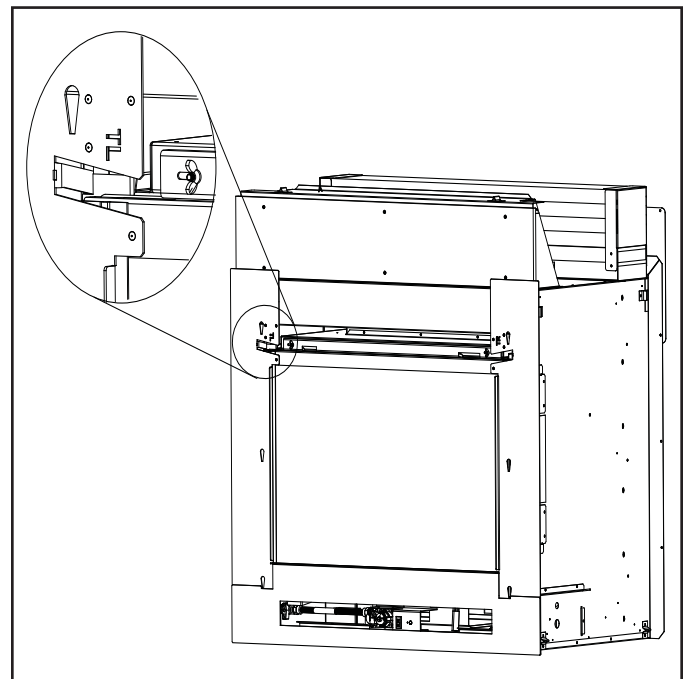


Figure 2. Inner Door Installation

**Note:** J-Hooks only accommodate wall finishing up to 1 inch thick. Wall finishing materials thicker than 1 inch must be installed using the inside fit technique.

- 3 Attach the outer door to the inner door, mount the four J-Hooks on the slots. See Figure 3.

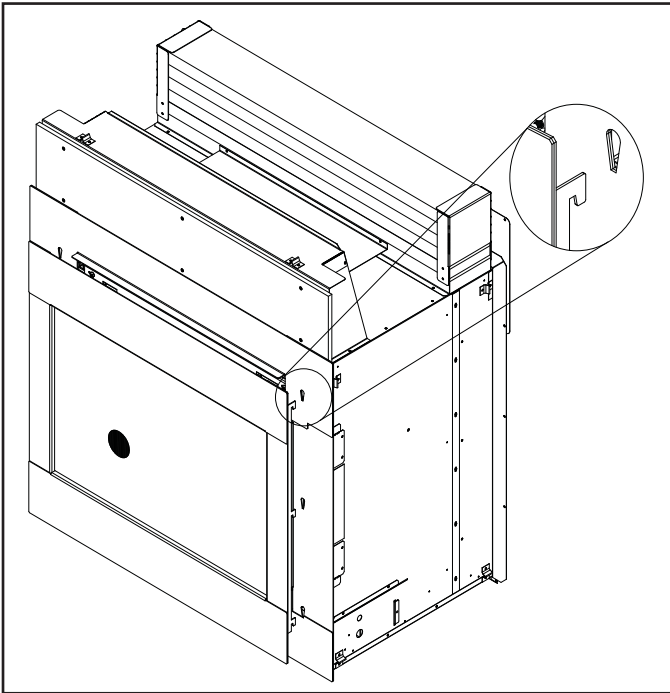


Figure 3. Outer Door Attachment

### Cleaning Instructions for Doors

Use a microfiber cloth and Windex® Original Glass Cleaner or 03M003 Stove Bright® Glass Cleaner to clean the door immediately after installation to remove acids deposited by the installer or technician. Spray the cleaner onto the microfiber cloth and carefully wipe the entire surface. The door should be cleaned in this manner annually by the homeowner to remove fingerprints or other contaminants. Once oxidation of the paint pigment has occurred, cleaning will not restore the original color.

### SERVICE PARTS

TWI-MOD-BK, TWI-MOD-GY	
Mesh	2172-042

Please contact your Heat & Glo dealer with any questions or concerns.  
For the location of your nearest Heat & Glo dealer, please visit [www.heatnglo.com](http://www.heatnglo.com).

Heat & Glo, a brand of Hearth & Home Technologies  
7571 215th Street West, Lakeville, MN 55044  
[www.heatnglo.com](http://www.heatnglo.com)