

Allusion Trim Skirt Kit

TRIM-ALL40, TRIM-ALL48, TRIM-ALL60, TRIM-ALL84

For Use on Models: SF-ALL40-BK, SF-ALL48-BK, SF-ALL60-BK, SF-ALL84-BK
 - Installation Instructions -



Leave this manual with party responsible for use and operation.

NOTICE! DO NOT discard this manual.

NOTICE! DO NOT discard any hardware while servicing. It must be reused.

⚠ WARNING: If the information in these instructions is not followed exactly it may result in personal injury and/or property damage.

CAUTION! Risk of Cuts, Abrasions or Flying Debris. Wear protective gloves and safety glasses during installation and service. Sheet metal edges are sharp.

SERIAL NUMBER CUTOFF:

If the appliance model has a serial number before the number listed in table below, self tapping screws are required in steps 5 and 7.

Appliance Model	Serial Number
SF-ALL40-BK	ALL40BK10221
SF-ALL48-BK	RCALL48BK13354
SF-ALL60-BK	RCALL60BK12773
SF-ALL86-BK	ALL84BK10211

Table 1

Kit includes:

- Left Side Trim Skirt (1)
- Right Side Trim Skirt (1)
- Top Trim Skirt (1)
- Bottom Trim Skirt - Slotted (1)
- Self Tapping Phillips Screws

(Applicable if appliance serial number is prior to date shown in Table 1)

- TRIM-ALL40 (8)
- TRIM-ALL48 (10)
- TRIM-ALL60 (12)
- TRIM-ALL84 (16)

Tools and Supplies Needed

Before beginning the installation be sure that the following tools and building supplies are available.

- Phillips screwdriver
- Electric Phillips screwdriver
- Safety glasses

Installation

1. Remove the two screws on each side of the appliance. See Figure 1.

Note: If appliance serial number is prior to date shown in Table 1, skip to Step 2.

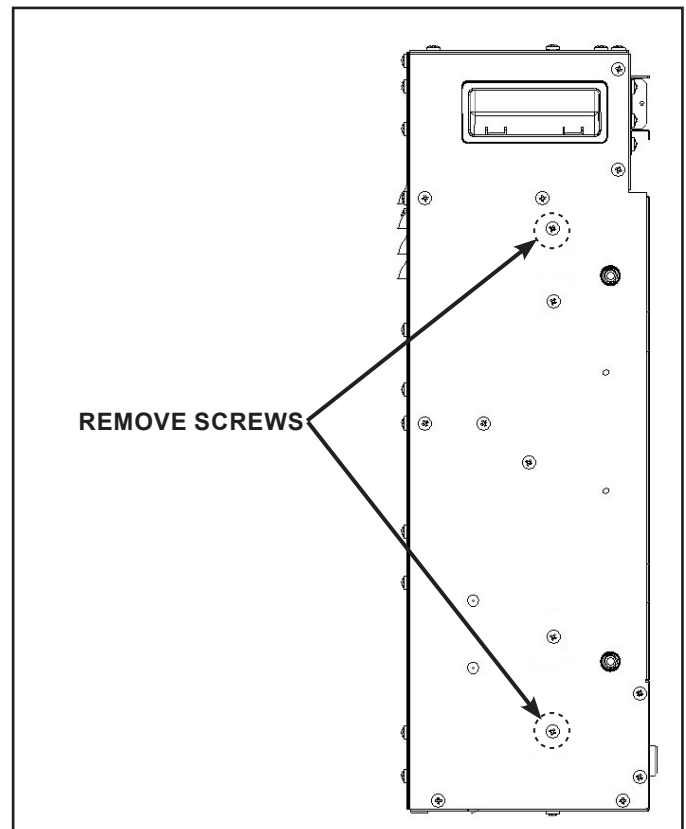


Figure 1 Remove Screws from Side Panels

2. Loosen the two screws on the side panels on the appliance. See Figure 2.

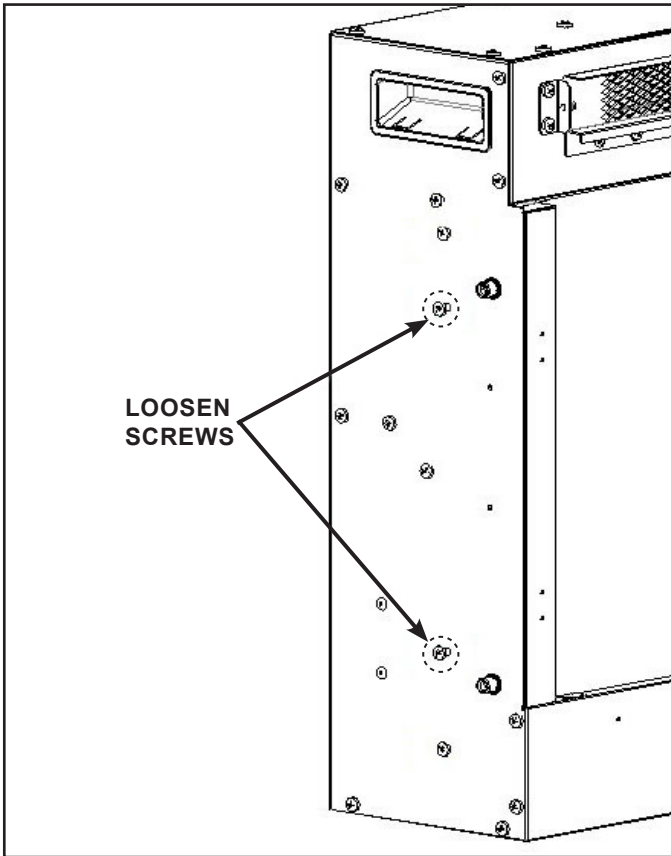


Figure 2 Loosen Screws on Side Panels

3. Slide the side trim skirt under the screws loosened in Step 2. See Figure 3.

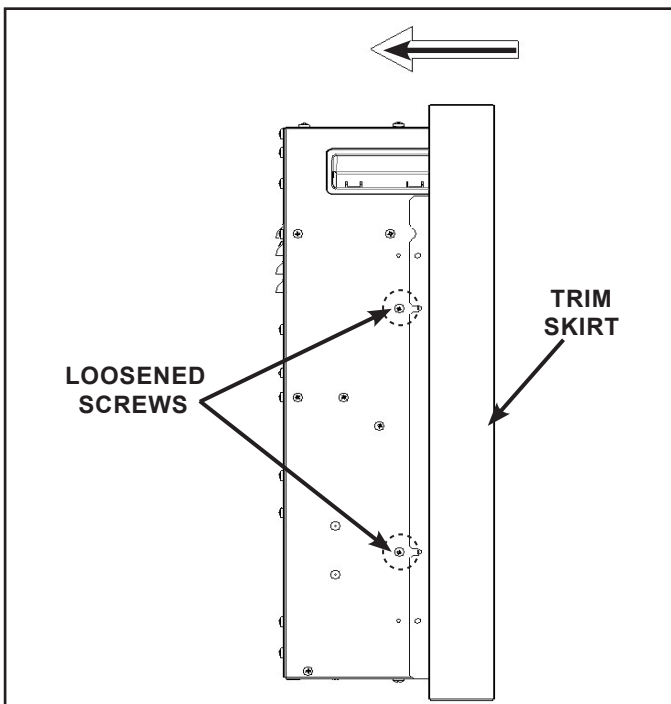


Figure 3 Slide the Side Trim Skirt on Appliance

4. Tighten the screws loosened in Step 2 ensuring the slots are seated tight against the screws. See Figure 4.

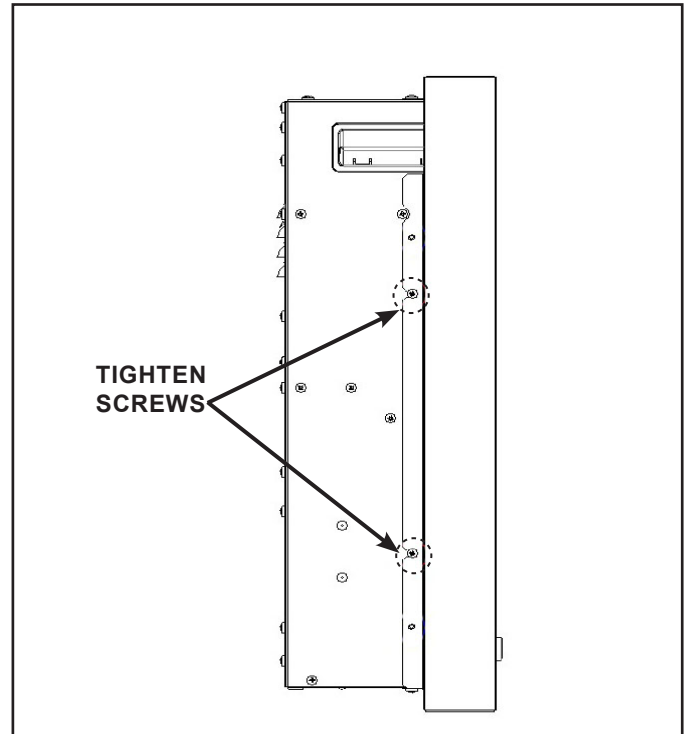


Figure 4 Secure Side Trim Skirt to Appliance

5. Fasten the side trim skirt to the appliance by replacing the two screws removed in Step 1. See Figure 5.

Note: If appliance serial number is prior to date shown in Table 1, holes will need to be self-drilled with self-tapping screws.

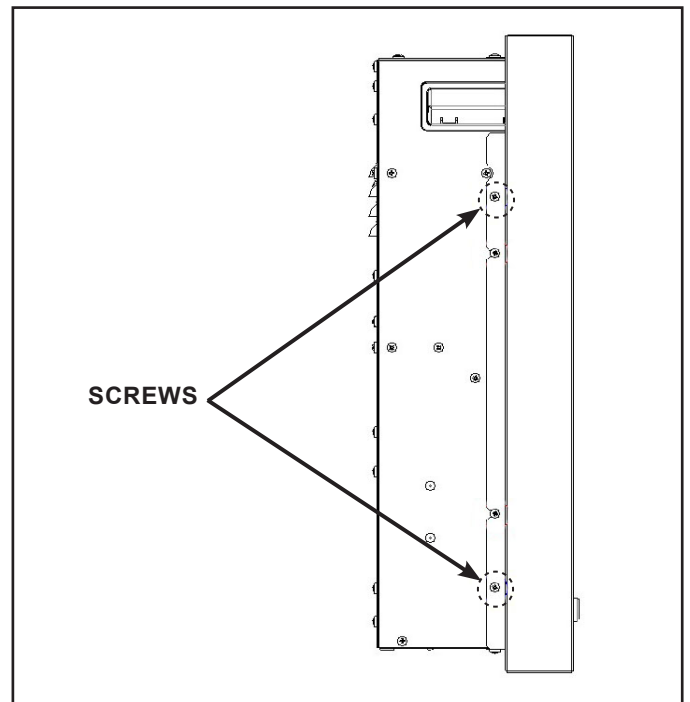


Figure 5 Secure Side Trim Skirt to Appliance

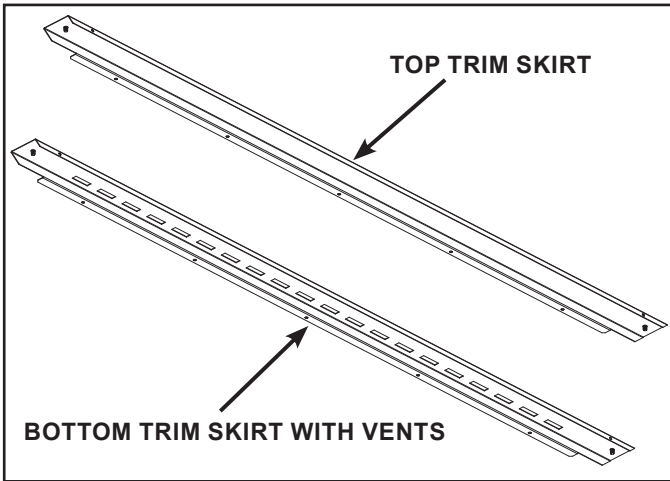


Figure 6 Top and Bottom Trim Skirt

6. Remove screws on top and bottom of the appliance. See Figure 7. Screw quantity varies by model.

Note: If appliance serial number is prior to date shown in Table 1, skip to Step 7.

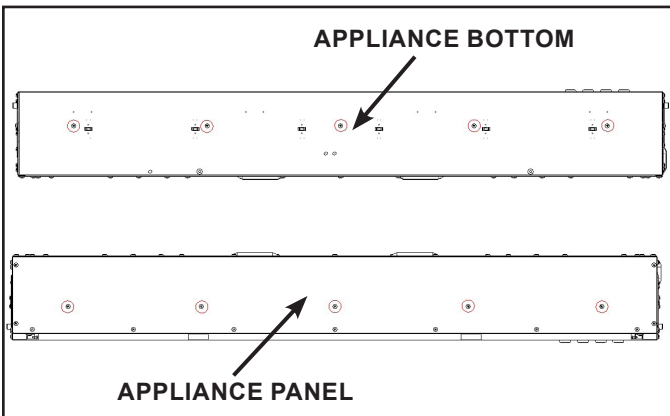


Figure 7 Remove Screws - Appliance Top and Bottom

7. Insert the threaded studs on the top and bottom trim skirt into the holes on the side trim skirt and fasten them with M4 nuts. See Figure 8 & 9.

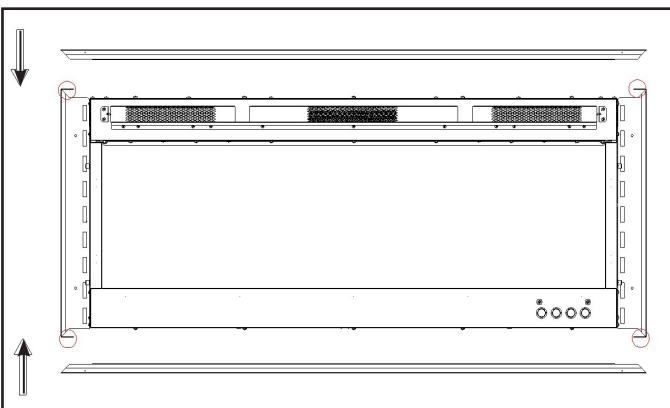


Figure 8 Attach Top and Bottom Trim Skirt to Side Trim Skirt

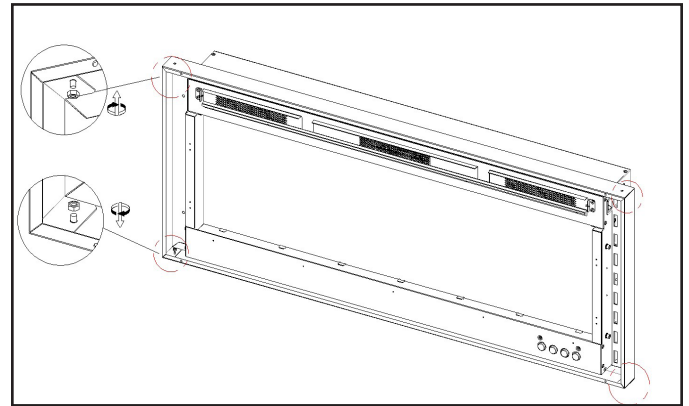


Figure 9 Attach Top and Bottom Trim Skirt to Side Trim Skirt

7. Fasten the top and bottom trim skirt with screws removed in Step 6. See Figure 10.

Note: If appliance serial number is prior to date shown in Table 1, holes will need to be self-drilled with self-tapping screws.

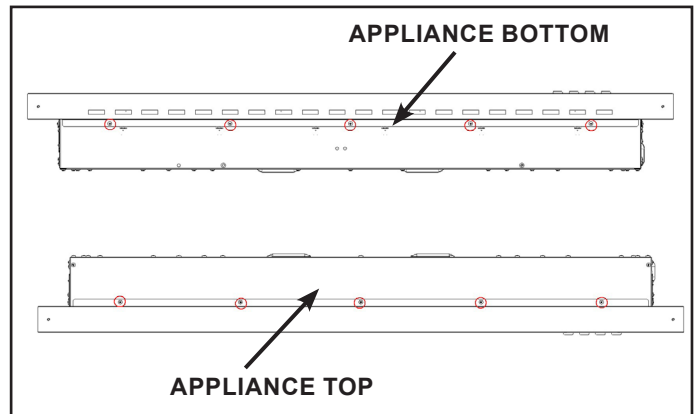


Figure 10 Fasten Top and Bottom Trim Skirt

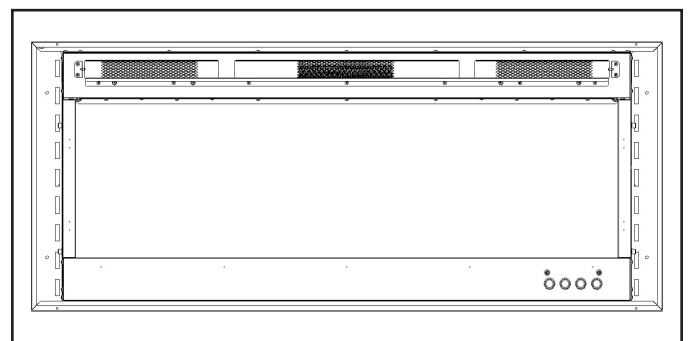


Figure 11 Finished View

Appliance Installation

Prepare framing opening per the appliance installation instructions for recessed in 2X4 framing.

Install the appliance into the opening. Level the appliance. Ensure that it is centered left to right then fasten it directly to the framing with two (2) ST4X25 wood screws in both the left and right sides of the trim skirt. See Figure 12.

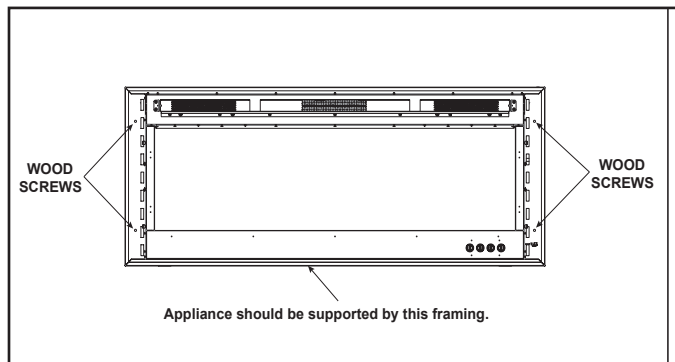


Figure 12 Appliance Installation