



Please consult the manufacturer's installation manual for all details and requirements before making a final design layout decision.

Twilight

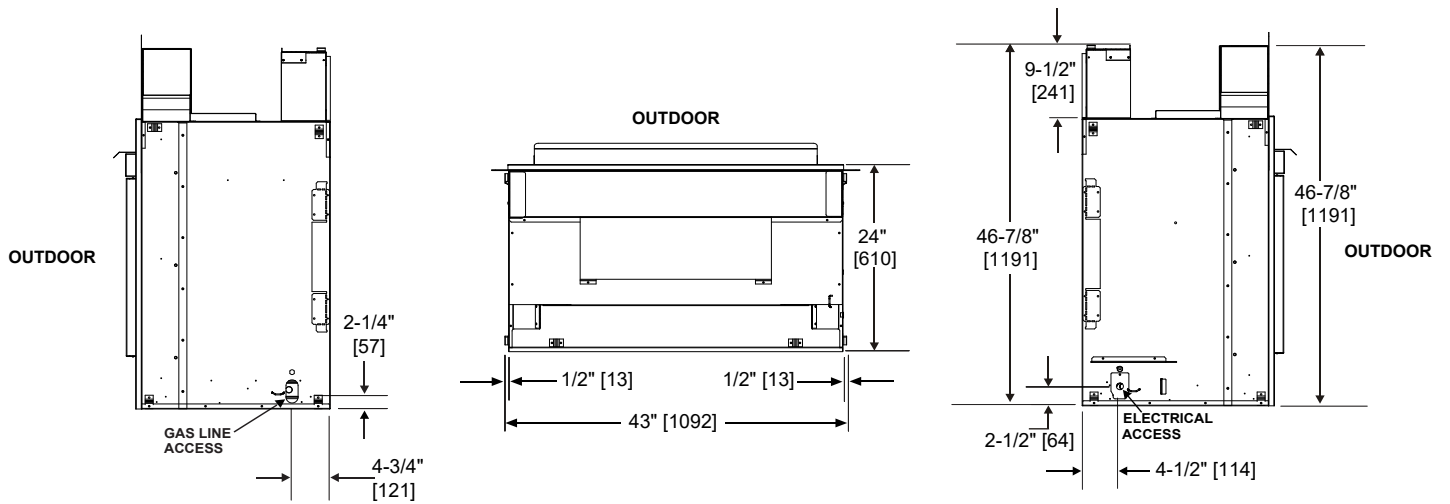
Indoor/Outdoor Gas Fireplace

| MODEL | INSIDE WIDTH | | OUTSIDE WIDTH | | INSIDE HEIGHT | | OUTSIDE HEIGHT | | DEPTH | | GLASS SIZE | BTU/HR INPUT |
|----------------------------------|--------------|---------|---------------|---------|---------------|---------|----------------|---------|--------|---------|-------------------|--------------|
| | Actual | Framing | Actual | Framing | Actual | Framing | Actual | Framing | Actual | Framing | | |
| Twilight-IFT, Twilight-MD-IFT | 43" | 44" | 43" | 44" | 46-7/8" | 47-5/8" | 46-7/8" | 47-5/8" | 24" | 23" | 35-5/8" x 21-1/2" | 38,000 |

Left Side

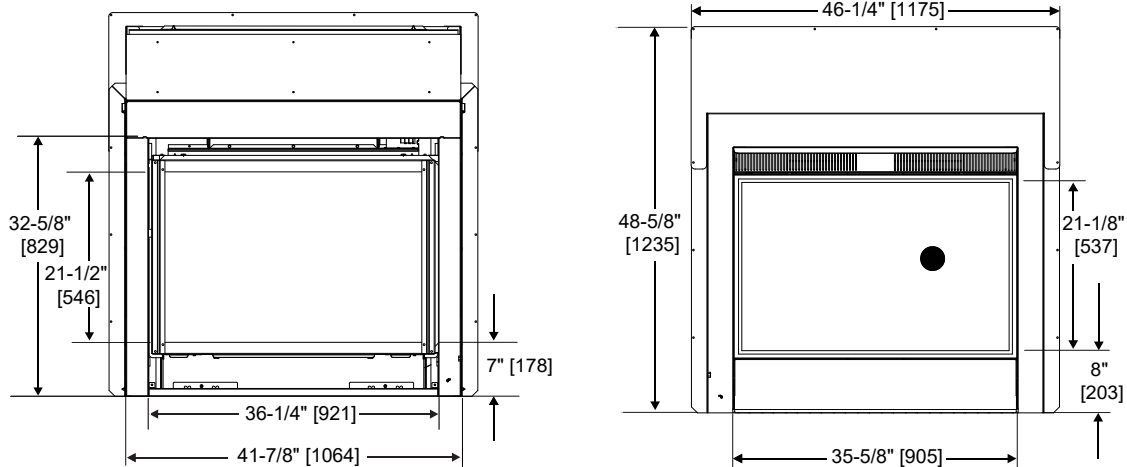
Top

Right Side



Interior View

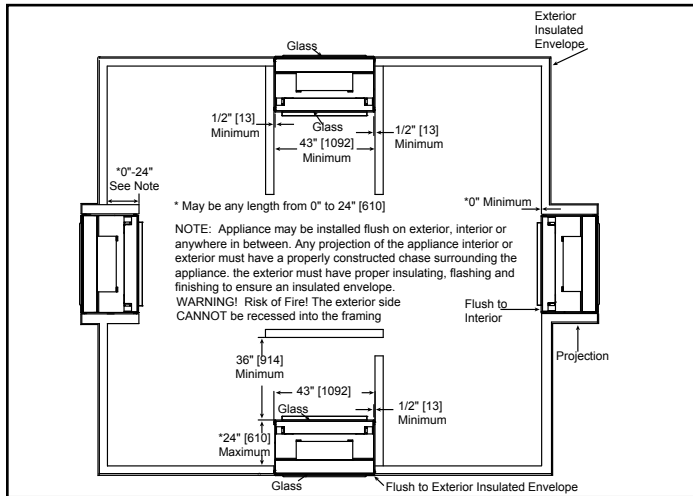
Exterior View



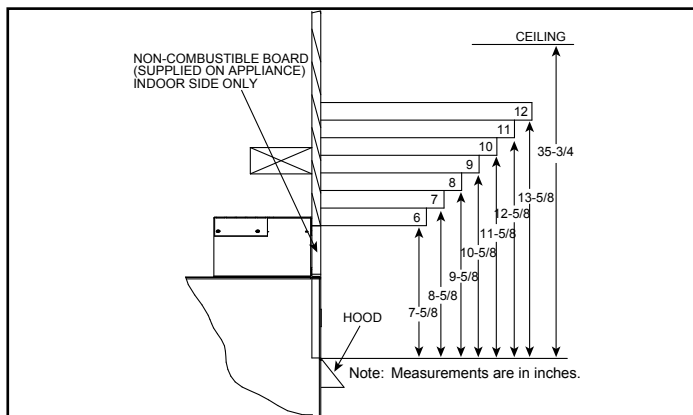
MINIMUM FIREPLACE CLEARANCES

| AREA | TO COMBUSTIBLES (in inches) |
|-----------------------------------|--|
| CLEARANCE TO CEILING/OVERHANG | See mantel projections and clearance to combustible diagrams |
| COMBUSTIBLE/NON-COMBUSTIBLE FLOOR | 0 |
| SIDES OF APPLIANCE | 1/2 |

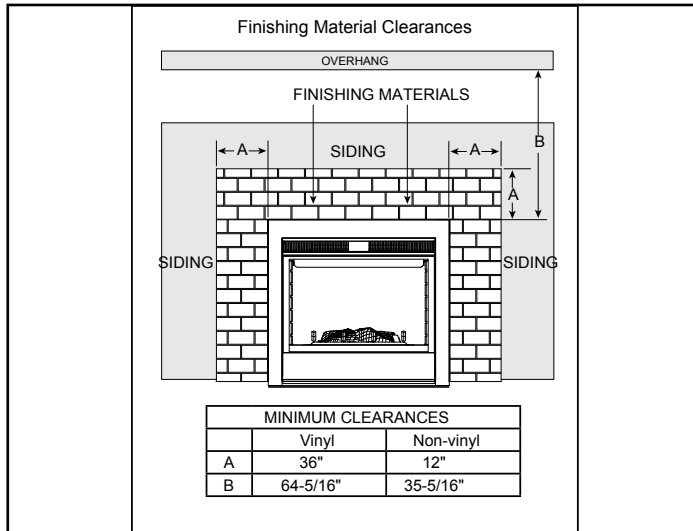
APPLIANCE LOCATION



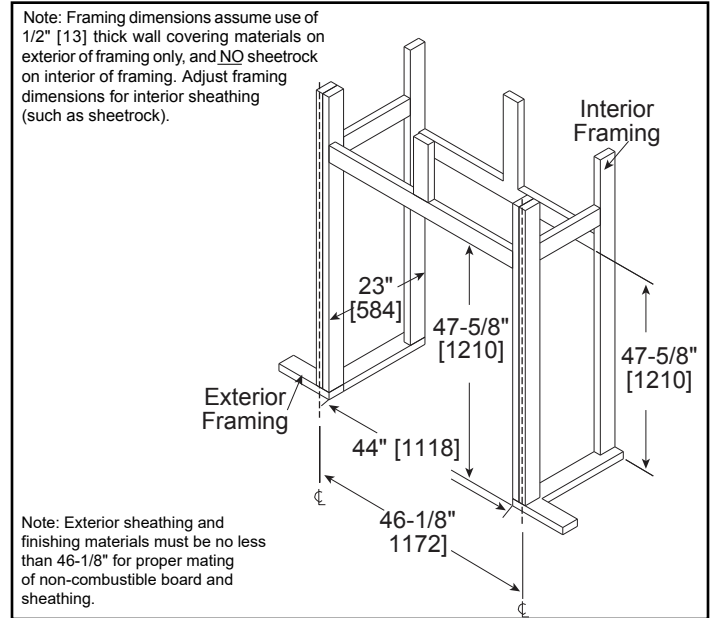
MANTEL PROJECTIONS - INDOOR



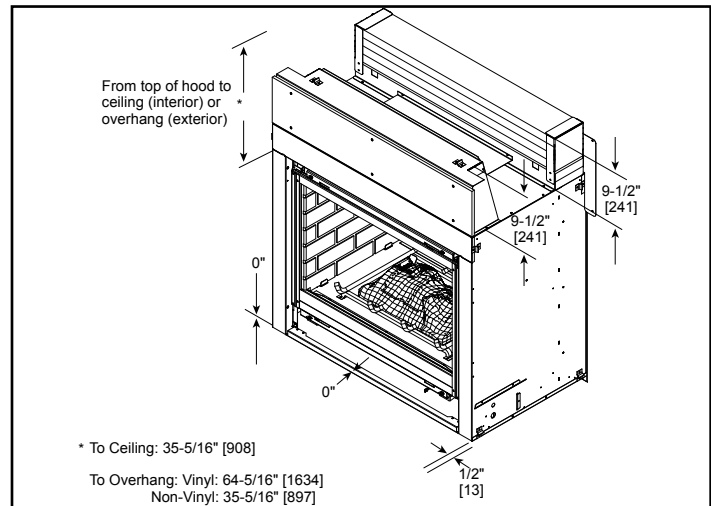
MANTEL PROJECTIONS - OUTDOOR



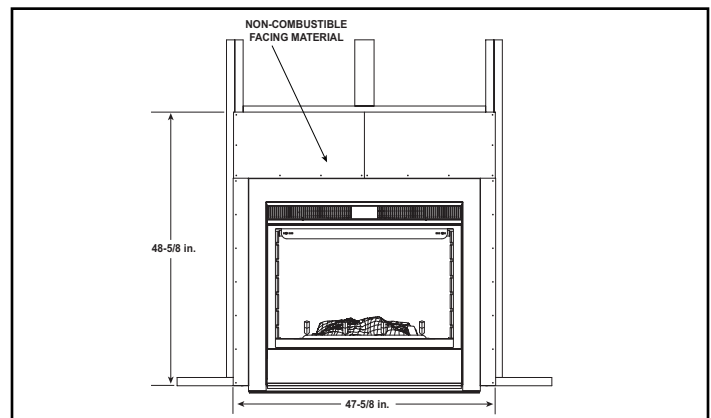
FRAMING DIMENSIONS



CLEARANCES TO COMBUSTIBLES



COMPLETE INSTALLATION OF NON-COMBUSTIBLE FACING MATERIAL (OUTDOOR SIDE)



| PRODUCT LISTING CODES | |
|-----------------------|------------------|
| US | ANSI Z21.50-2014 |
| CAN | CSA 2.22-2014 |

Product information provided is not complete and is subject to change without notice. Product installation must adhere strictly to instructions accompanying product to avoid risk of fire and potential injury.

Additional information can be found online at www.fireplaces.com