



INSTALLATION MANUAL

Silhouette Terminal

SAFETY INFORMATION

WARNING

FIRE OR EXPLOSION HAZARD

Failure to follow safety warnings exactly could result in serious injury, death, or property damage.

GENERAL INFORMATION

These installation instructions must be used in conjunction with the appliance and appropriate terminal kit installation instructions. Clearances listed in these instructions supersede those in the appliance's installation instructions.

Selecting and installing the appliance

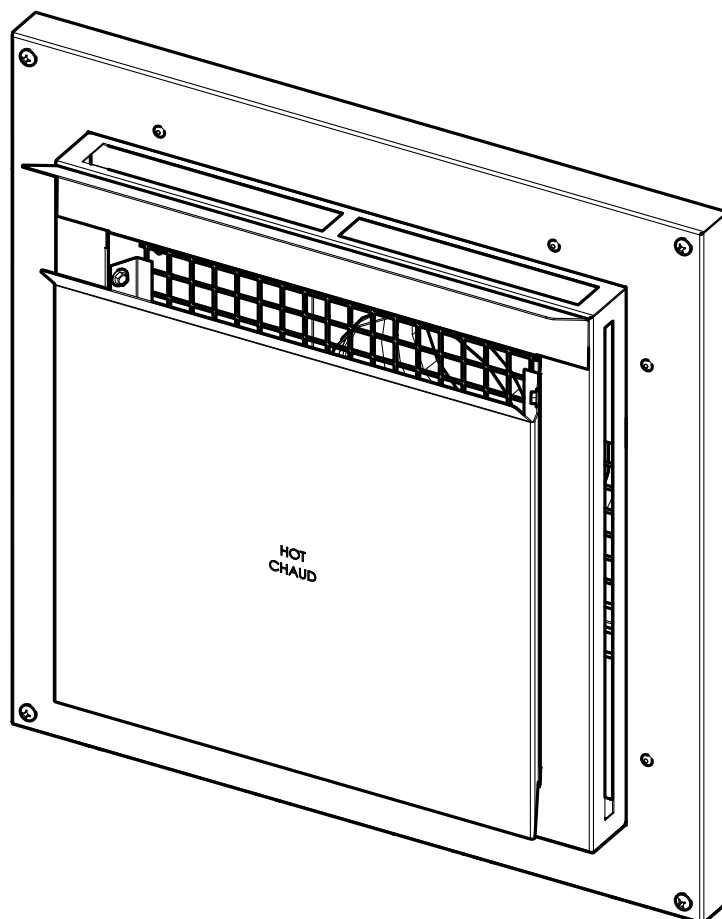
When installing the Silhouette Terminal, take into consideration the finish material requirements and follow the relevant installation instructions set out in this manual.

INSTALLER:

Leave this manual with the appliance

CONSUMER:

Retain this manual for future reference



ST58U-1 illustrated
HORIZONTAL TERMINATION ONLY

**FOR USE ONLY WITH APPROVED
4" / 7" AND 5" / 8"
DIRECT VENT GAS APPLIANCES**



Wolf Steel Ltd., 24 Napoleon Rd., Barrie, ON, L4M 0G8 Canada / 103 Miller Drive, Crittenden, Kentucky, USA, 41030
Phone 1 (866) 820-8686 • www.napoleon.com • hearth@napoleon.com

table of contents

1.0	general information	3
1.1	installation overview	3
1.1	list of certified appliances	4
2.0	installation planning	5
2.1	installation options	5
2.2	terminal overview	6
2.2.1	4"/7" terminal dimensions	7
2.2.2	5"/8" terminal dimensions	7
2.3	terminal kit components	8
2.4	standoff overview	9
2.4.1	4"/7" standoff dimensions	9
2.4.2	5"/8" standoff dimensions	9
2.5	brick standoff overview	10
2.4.4	4"/7" brick standoff dimensions	10
2.4.3	5"/8" brick standoff dimensions	10
2.6	standoff kit components	11
2.7	brick standoff kit components	11
2.8	terminal guard overview	12
3.0	terminal clearances	13
4.0	pre-installation	15
4.1	firestop spacer installation	15
5.0	installation	16
5.1	vinyl siding - less than 1" (25mm) (4"/7" only)	16
5.2	vinyl siding - less than 1" (25mm) (5"/8" only)	18
5.3	vinyl siding - between 1" (25mm) and 2" (51mm) (all)	20
5.4	exterior finish material - less than 1" (25mm) (all)	22
5.5	exterior finish material - between 1" (25mm) and 2" (51mm) (all)	23
5.6	brick (all)	25
5.7	terminal guard installation (all)	27
6.0	replacement parts	28
6.1	overview	29

note:

The information throughout this manual is believed to be correct at the time of printing. Wolf Steel Ltd. reserves the right to change or modify any information within this manual at any time without notice. Changes, other than editorial, are denoted by a vertical line in the margin.

⚠ WARNING: This product can expose you to chemicals including chromium, which are known to the State of California to cause cancer, and chemicals including toluene, which are known to the State of California to cause birth defects or other reproductive harm. For more information, go to www.P65Warnings.ca.gov.

⚠ WARNING

- Installation must conform to local codes or, in the absence of local codes, the National Gas and Propane Installation Code CSA B149.1 in Canada, or the National Fuel Gas Code ANSI Z223.1 / NFPA 54 in the United States.
- To avoid danger of suffocation, keep the packaging bag away from babies and children. Do not use in cribs, beds, carriages, or play pens. This bag is not a toy. Knot before throwing away.

1.1 installation overview

! WARNING

- FIRE HAZARD! Failure to comply with these installation instructions could result in serious damage.
- Do **NOT** finish past the terminal **return flange**.

For 4" / 7" appliances:

Vinyl siding and Exterior finish material (less than 1" thick (25mm):

No additional standoff kit is required for applications with 1" (25mm) or thinner finish material (including vinyl).

See "vinyl siding - less than 1" (25mm) (4"/7" only)" or "exterior finish material less than 1" (25mm) (all)" sections.

Vinyl siding between 1" (25mm) and 2" (51mm):

An additional brick standoff kit is required.

See "vinyl siding - between 1" (25mm) and 2" (51mm) (all)" section.

Exterior finish material between 1" (25mm) and 2" (51mm):

An additional standoff kit is required.

See "exterior finish material - between 1" (25mm) and 2" (51mm) (all)" section.

Brick:

An additional brick standoff kit is required.

See "brick (all)" section.

For 5" / 8" appliances:

Vinyl siding (less than 1" thick (25mm):

An additional standoff kit is required for applications with vinyl siding less than 1" (25mm).

See "vinyl siding - less than 1" (25mm) (5"/8" only)" section.

Vinyl siding between 1" (25mm) and 2" (51mm):

An additional brick standoff kit is required.

See "vinyl siding - between 1" (25mm) and 2" (51mm) (all)" section.

Exterior finish material (less than 1" thick (25mm):

No additional standoff kit is required for applications with 1" (25mm) or thinner finish material (excluding vinyl).

See "exterior finish material - less than 1" (25mm) (all)" section.

Exterior finish material between 1" (25mm) and 2" (51mm):

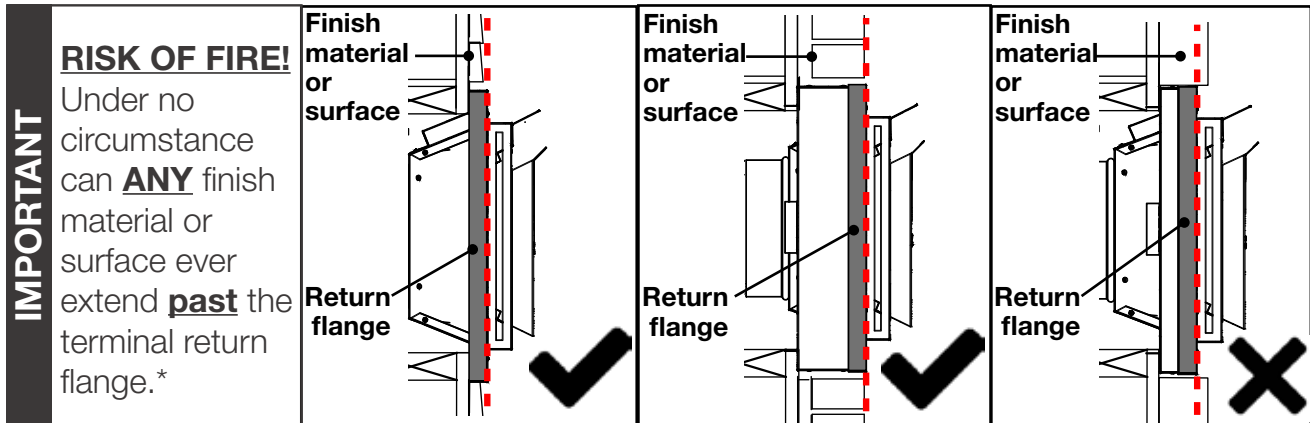
An additional standoff kit is required.

See "exterior finish material - between 1" (25mm) and 2" (51mm) (all)" section.

Brick:

An additional brick standoff kit is required.

See "brick (all)" section.



* Where applicable, an additional standoff or brick standoff kit is required. These applications may result in the terminal flange being proud of the finish material.

For applications where the terminal is situated in an accessible location, an additional terminal guard kit must be installed. See "terminal guard installation (all)" section for complete details.

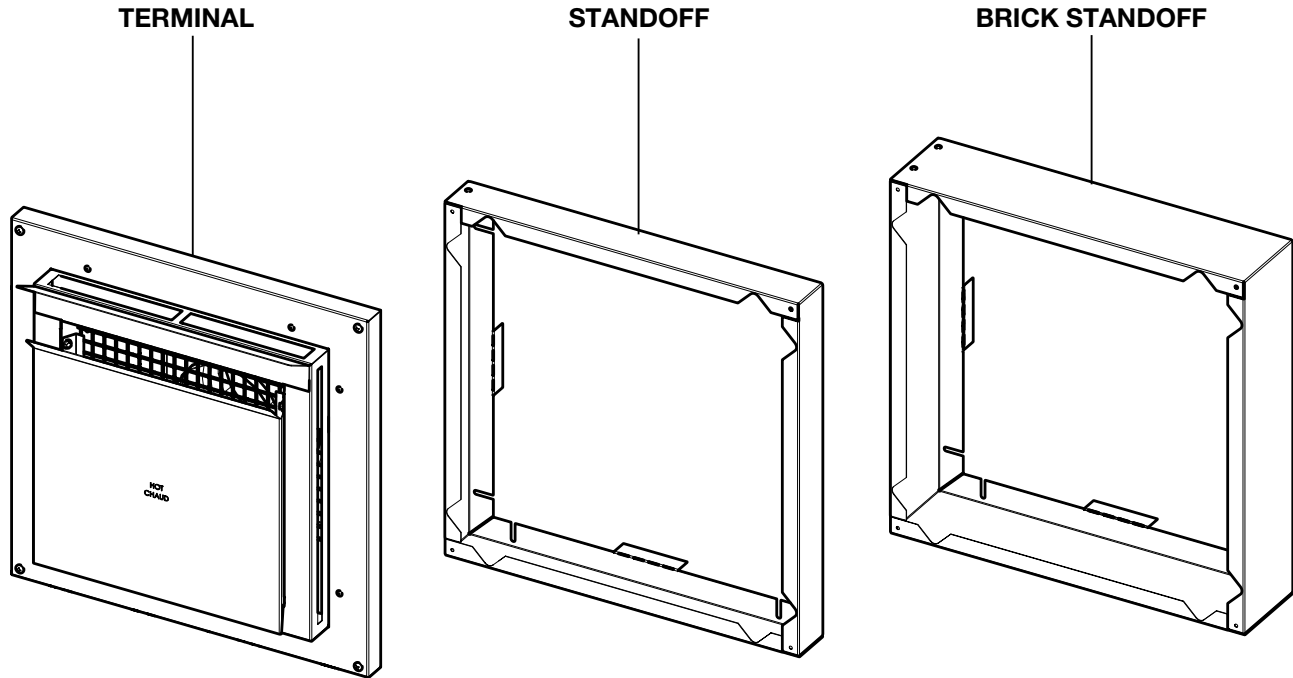
All installations must comply with local and national codes.

1.1 list of certified appliances

Product series	MODEL
Ascent Multi-view	B/CHD4ST
	B/CHD4P
Ascent	B30/CB30
	B35/CB35
	B36/CB36/TB36
	B42TR/CB42TR/TB42TR
	B46/CB46
Ascent Linear	BL36/CBL36
	BL46/CBL46
Ascent Multi-View	BHD4ST/CHD4ST
	BHD4P/CHD4P
Arlington	GDS20/TDS20
Bayfield	GDS25
Castlemore	GDS26
Haliburton	GDS28/CDVS280/TDS28
Havelock	GDS/CDVS/TDS50
Knightsbridge	GDS60/CDVS600/TDS60
Ascent X	GX36/CX36
	GX42
	GX70/CX70
Acies	L38/CL38
	L50/CL50
Vector	LV38
	LV50
	LV62
	LV74
Luxuria	LVX38
	LVX50
	LVX62
	LVX74
Altitude	AX36
	AX42
Elevation	EX36
	EX42
High Definition	HD35/CHD35
	HD40/CHD40
	HD46/CHD46
High Definition X	HDX35
	HDX40-1/CDHX40-1

If your appliance is not listed above, refer to your appliance installation manual or contact your local authorized dealer.

2.1 installation options



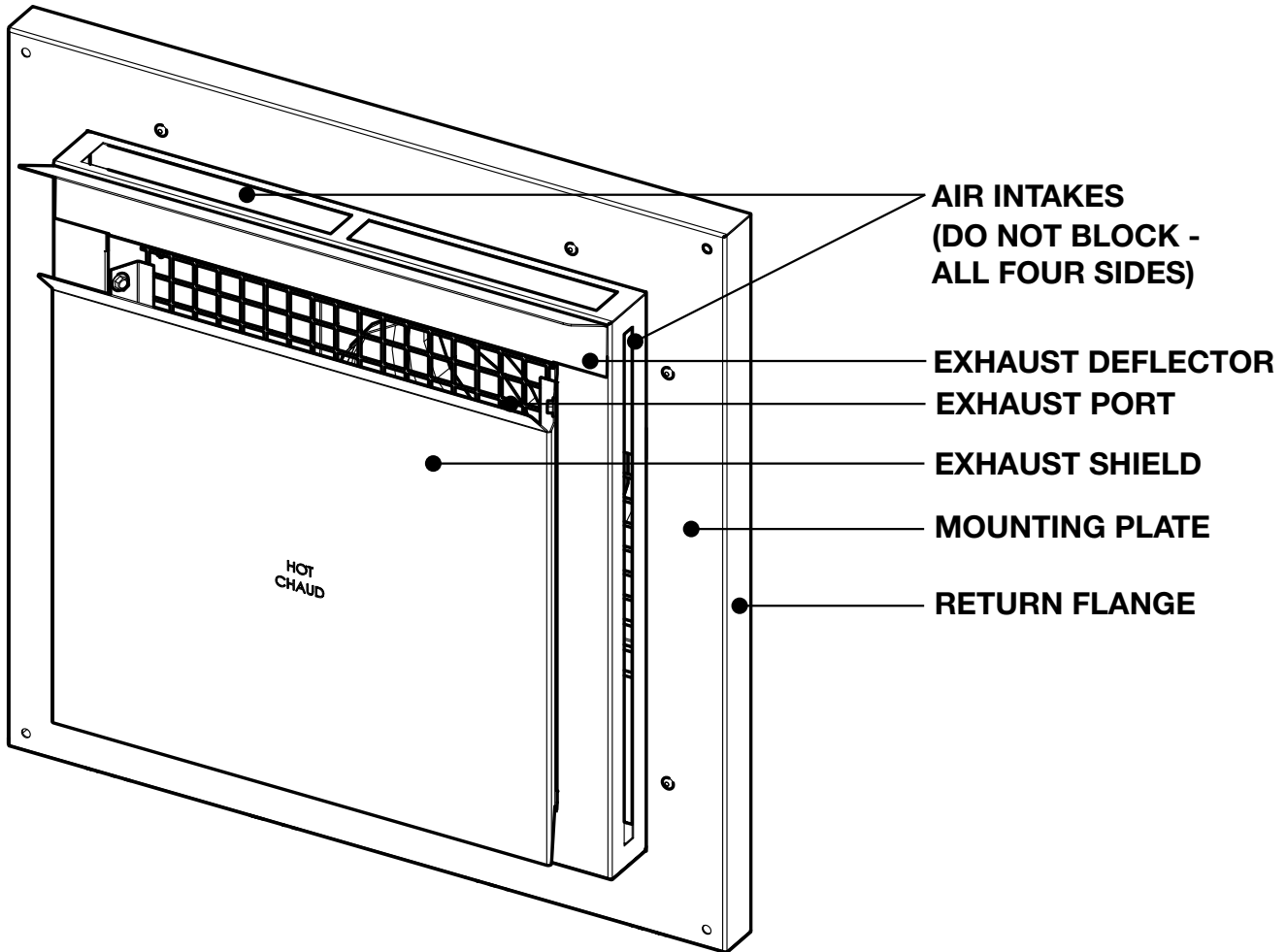
There are multiple ways to install the **Silhouette Terminal**, based on the exterior finish material used.

FOR USE WITH LISTED 4 ³ /7 ³ DIRECT VENT GAS APPLIANCES			
Installation Type	Terminal (ST47U)	Standoff (SOST47)	Brick Standoff (SOST47B)
Vinyl less than 1"	✓	N/A	N/A
Vinyl 1" - 2"	✓	N/A	✓
Exterior finish material less than 1"	✓	N/A	N/A
Exterior finish material 1" - 2"	✓	✓	N/A
Brick	✓	N/A	✓

FOR USE WITH LISTED 5 ³ /8 ³ DIRECT VENT GAS APPLIANCES			
Installation Type	Terminal (ST58U-1)	Standoff (SOST58)	Brick Standoff (SOST58B)
Vinyl less than 1"	✓	✓	N/A
Vinyl 1" - 2"	✓	N/A	✓
Exterior finish material less than 1"	✓	N/A	N/A
Exterior finish material 1" - 2"	✓	✓	N/A
Brick	✓	N/A	✓

! WARNING

- Do **NOT** finish past the terminal **return flange**. Failure to comply with these instructions could create a fire hazard.
- Do **NOT** block the **air intakes (all four sides)** or the **exhaust port**. Ensure air flow within the terminal is not restricted in any way.



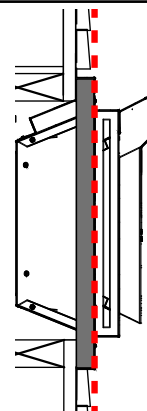
note:

The ST47U and the ST58U-1 have an unfinished aluminum surface that can be painted. Use only high-temperature rated paints that can withstand temperatures of at least 480°F (250°C) and apply according to the manufacturer's instructions.

IMPORTANT

RISK OF FIRE!

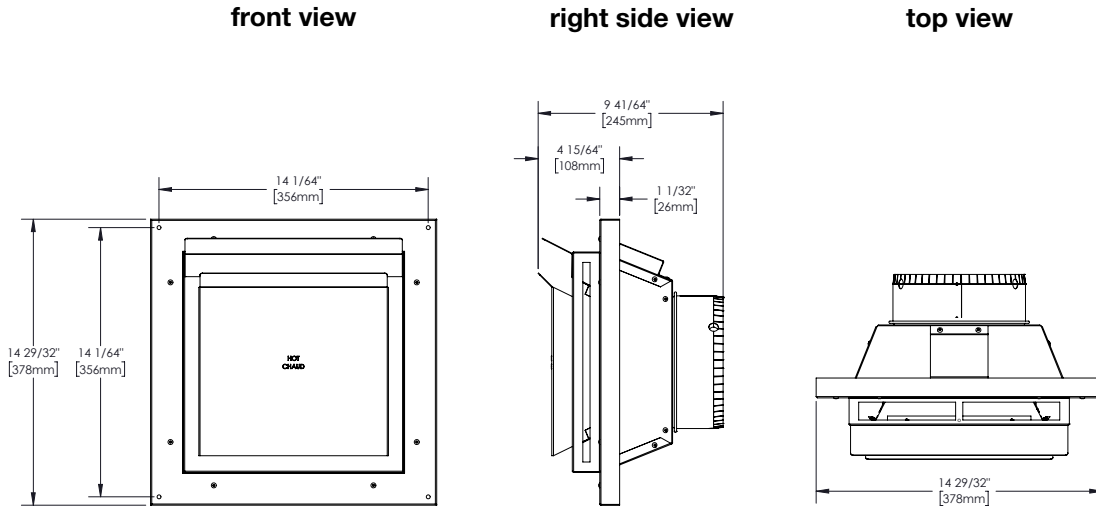
Under no circumstance can **ANY** finish material or surface ever extend **past** the terminal return flange. *



* Where applicable, an additional standoff or brick standoff kit is required. These applications may result in the terminal flange being proud of the finish material.

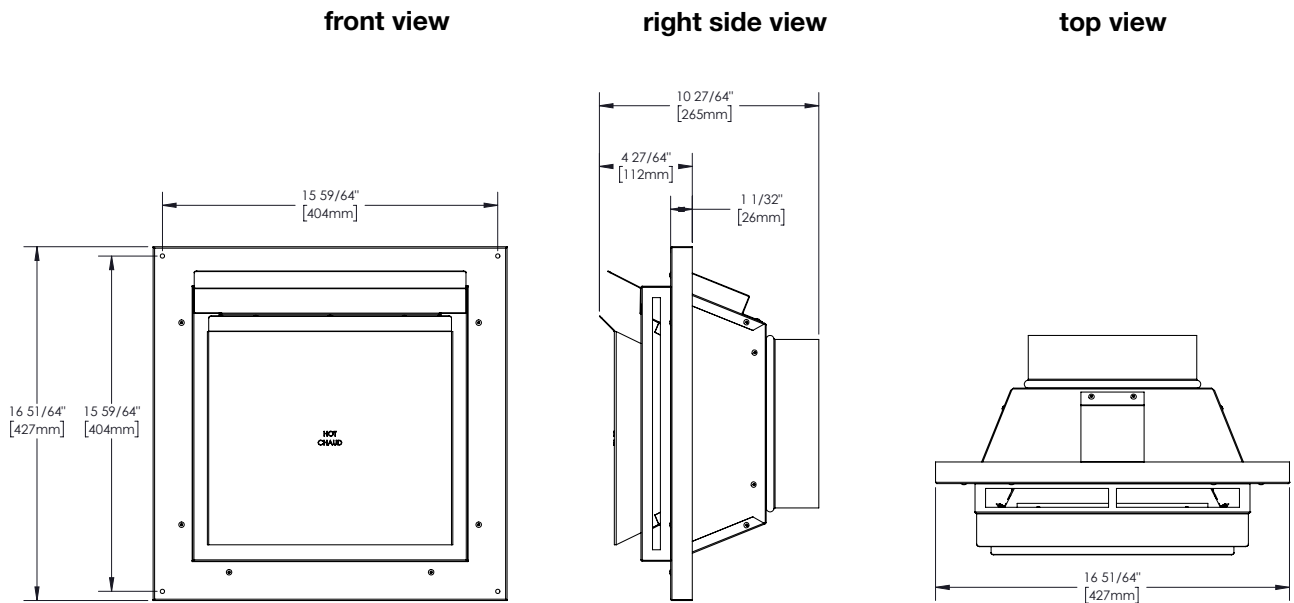
2.2.1 4”/7” terminal dimensions

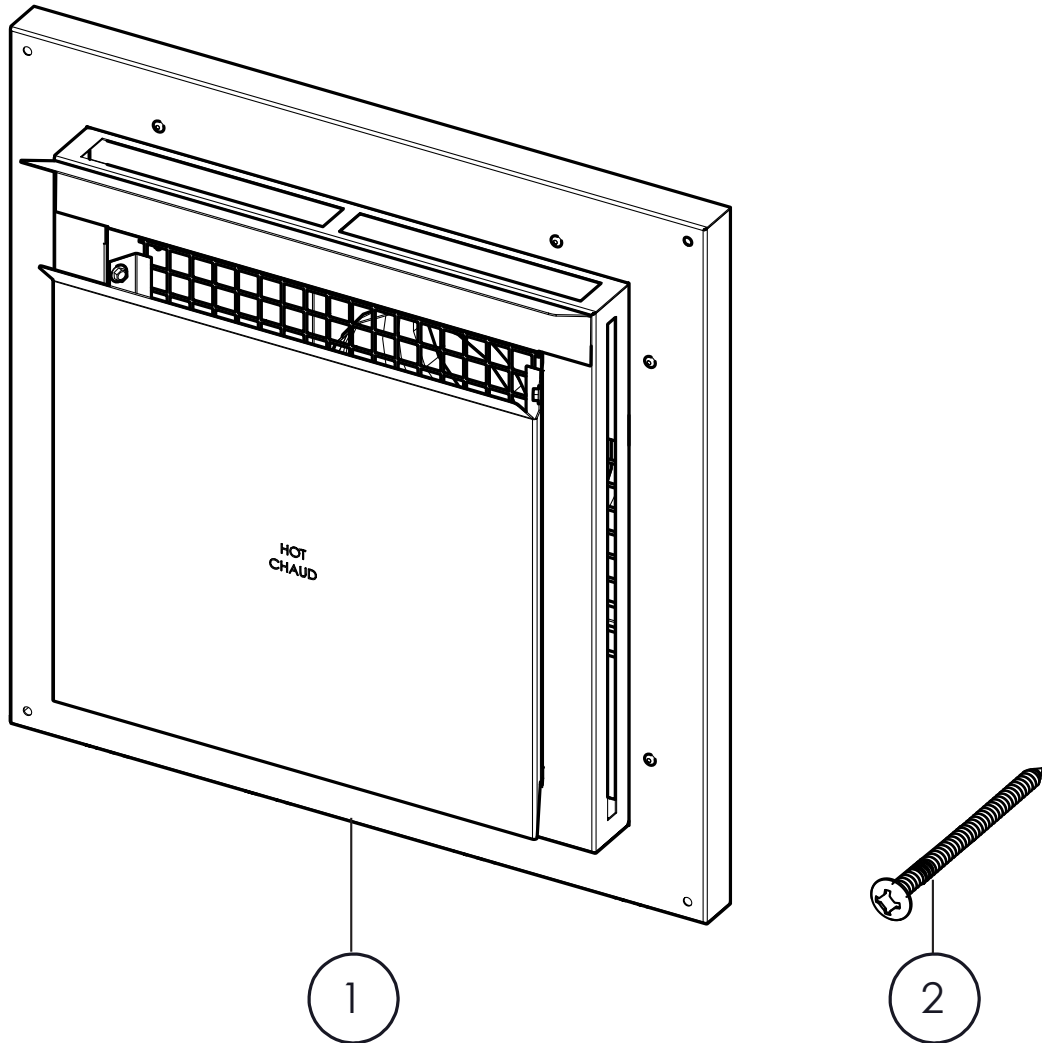
FOR USE ONLY WITH APPROVED WOLF STEEL DIRECT VENT 4” / 7” GAS APPLIANCES



2.2.2 5”/8” terminal dimensions

FOR USE ONLY WITH APPROVED WOLF STEEL DIRECT VENT 5” / 8” GAS APPLIANCES



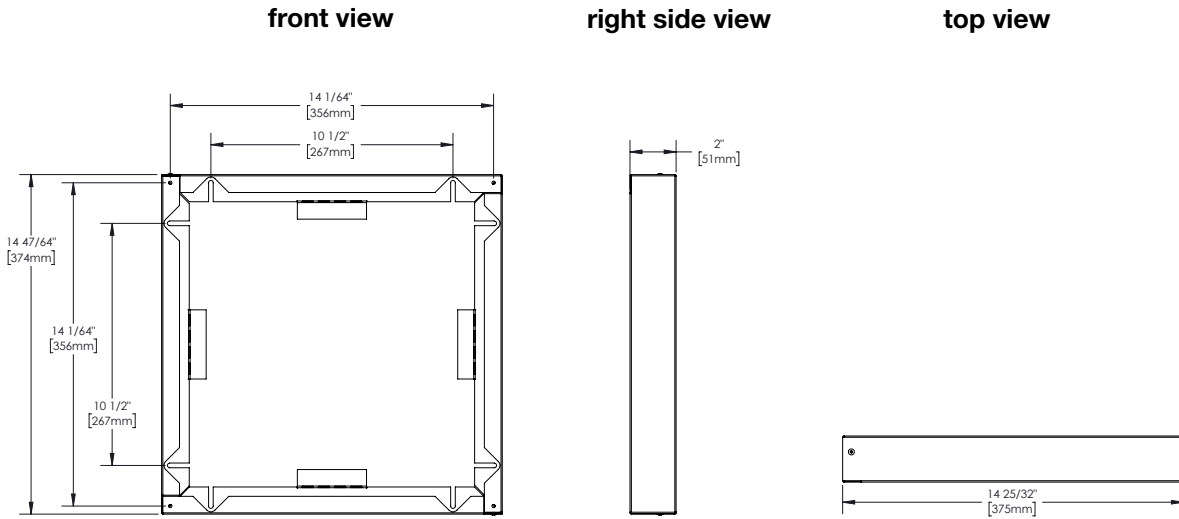


Reference	Part Number	Description
1	ST47U	4" / 7" SILHOUETTE TERMINAL ASSEMBLY
1	ST58U-1	5" / 8" SILHOUETTE TERMINAL ASSEMBLY
2	W570-0022	MOUNTING SCREWS (x4)

2.4 standoff overview

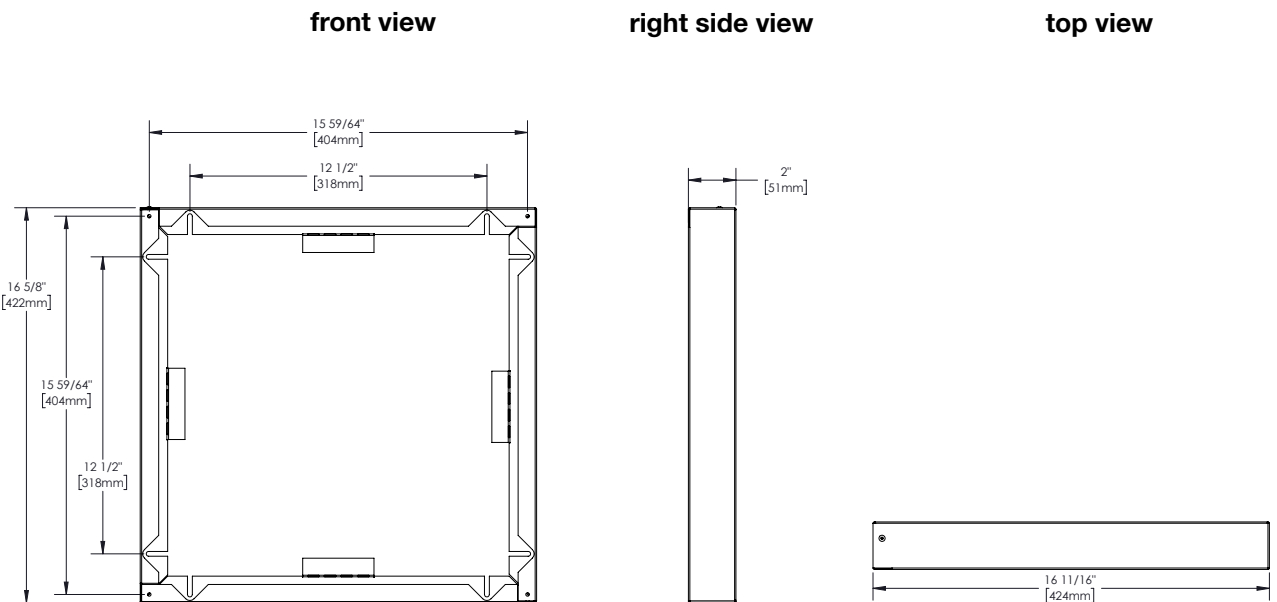
2.4.1 4"/7" standoff dimensions

**REQUIRED WITH 4"/7" TERMINAL (ST47U):
FOR EXTERIOR FINISH MATERIALS 1" (25MM) TO 2" (51mm)**



2.4.2 5"/8" standoff dimensions

**REQUIRED WITH 5"/8" TERMINAL (ST58U-1):
FOR EXTERIOR FINISH MATERIAL BETWEEN 1" (25MM) and 2" (51MM)
OR
FOR VINYL 1" (25MM) OR LESS**



installation planning

2.5 brick standoff overview

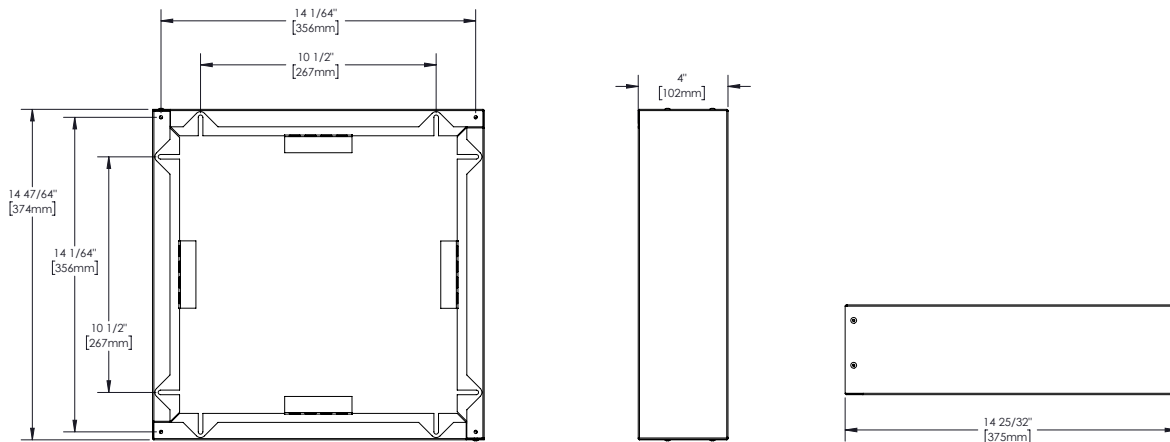
2.4.4 4"/7" brick standoff dimensions

REQUIRED WITH 4"/7" TERMINAL (ST47U):
FOR BRICK
OR
FOR VINYL SIDING BETWEEN 1" (25MM) AND 2" (51mm)

front view

right side view

top view



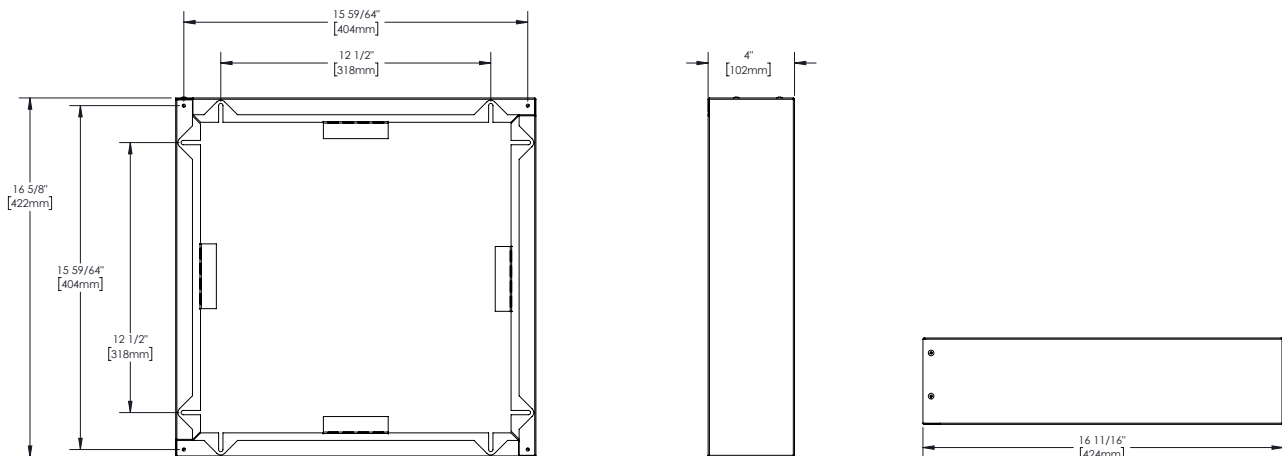
2.4.3 5"/8" brick standoff dimensions

REQUIRED WITH 5"/8" TERMINAL (ST58U-1):
FOR BRICK
OR
FOR VINYL SIDING BETWEEN 1" (25MM) AND 2" (51MM)

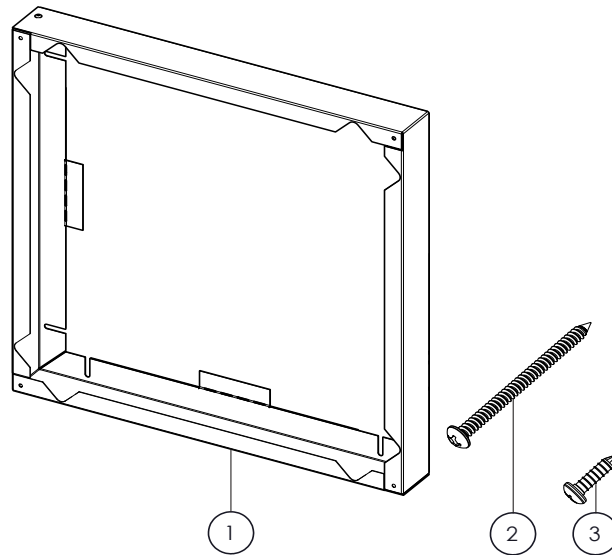
front view

right side view

top view

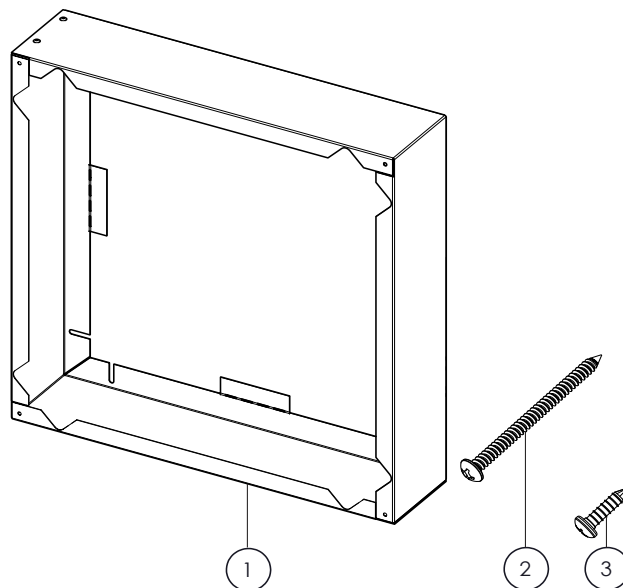


2.6 standoff kit components

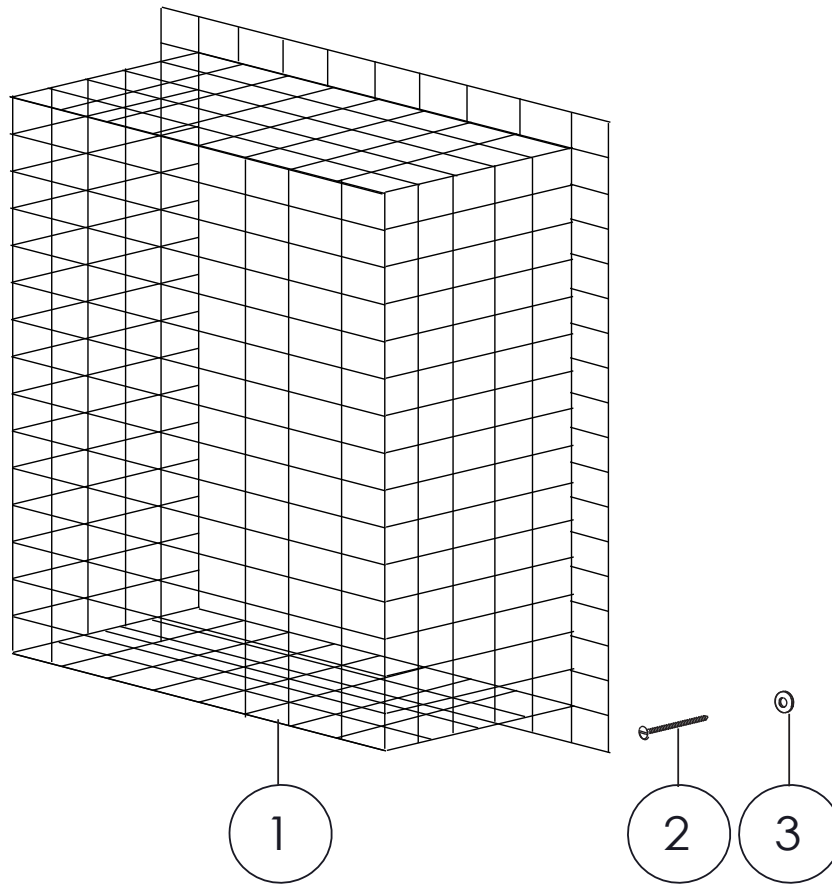


Reference	Part Number	Description
1	SOST47	STANDOFF ASSEMBLY (4"/7")
1	SOST58	STANDOFF ASSEMBLY (5"/8")
2	W570-0022	SCREWS (x8)
3	W570-0004	SCREWS (x4)

2.7 brick standoff kit components



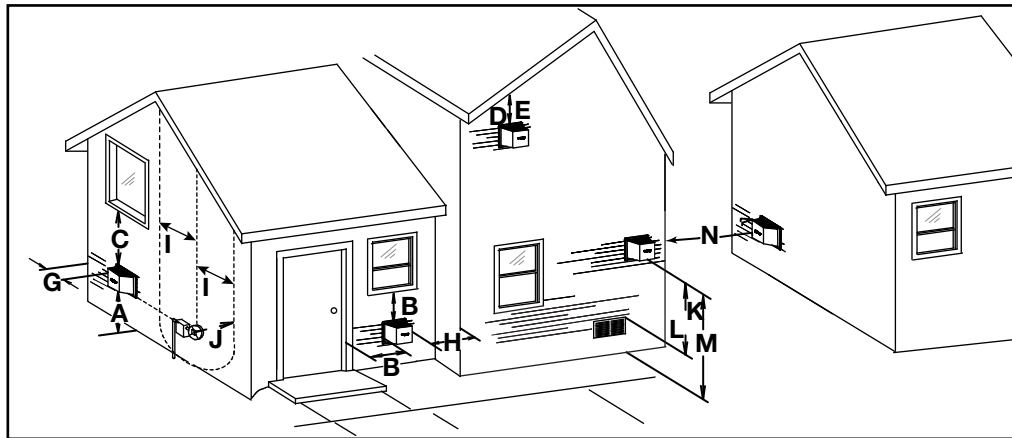
Reference	Part Number	Description
1	SOST47B	BRICK STANDOFF ASSEMBLY (4"/7")
1	SOST58B	BRICK STANDOFF ASSEMBLY (5"/8")
2	W570-0022	SCREWS (x8)
3	W570-0004	SCREWS (x4)



Reference	Part Number	Description
1	STS4758	TERMINAL GUARD
2	W570-0009	SCREWS (x4)
3	W735-0011	WASHERS (x4)

For applications where the terminal is situated in an accessible location, this kit **MUST** be installed, see “terminal guard installation (all)” section.

TABLE 1: Minimum air terminal clearances (Canada / U.S.A)



	INSTALLATIONS		
	CANADA	U.S.A.	
A	12" (30.5cm)		Clearance above grade, veranda porch, deck or balcony.
B	12" (30.5cm) ^Δ	9" (229mm) ^Δ	Clearance to windows or doors that open.
C	12" (30.5cm)*		Clearance to permanently closed windows.
D	SEE TABLE 2		Vertical clearance to ventilated soffits located above the terminal within a horizontal distance of 2' (0.6m) from the center line of the terminal.
E			Vertical clearance to unventilated soffits located above the terminal within a horizontal distance of 2' (0.6m) from the center line of the terminal.
F			Maximum soffit length (ventilated or unventilated).
G	0" (0mm)		Clearance to an outside corner wall.
H	SEE TABLE 2		Clearance to an inside combustible or non-combustible corner wall or protruding combustible or non-combustible obstructions (chimney, vent chase, etc.).
I	3'(0.9m)	3'(0.9m) ^{****}	Clearance to each side of the center line extended above the meter / regulator assembly to a maximum vertical distance of 15' (4.6m).
J	3' (0.9m)	3' (0.9m) ^{****}	Clearance to a service regulator vent outlet.
K	12" (30.5cm)	9" (229mm)	Clearance to a non-mechanical air supply inlet to the building or a combustion air inlet to any other appliance.
L	6' (1.8m)	3' (0.9m) †	Clearance to a mechanical air supply inlet.
M	7' (2.1m) ‡	7' (2.1m) ^{****}	Clearance above a paved sidewalk or paved driveway located on public property.
N	2' (0.6m)†*		Clearance from an adjacent wall including neighbouring buildings.

note:
Wall terminals are for illustration purposes only. Size and shapes may vary.

- Δ The terminal shall not be located less than 6 feet under a window that opens on a horizontal plane in a structure with three walls and a roof.
- * Recommended to prevent condensation on windows and thermal breakage
- ** It is recommended to use a heat shield and to maximize the distance to vinyl clad soffits.
- *** The periscope requires a minimum 18 inches clearance from an inside corner.
- **** This is a recommended distance. For additional requirements, check local codes.
- † 3 feet above if within 10 feet horizontally.
- ‡ A vent shall not terminate where it may cause hazardous frost or ice accumulations on adjacent property surfaces.
- †† Permitted only if the veranda, porch, or deck is fully open on a minimum of two sides beneath the floor.
- †* Recommended to prevent recirculation of exhaust products. For additional requirements, check local codes.
- ††* Permitted only if the balcony is fully open on a minimum of one side.

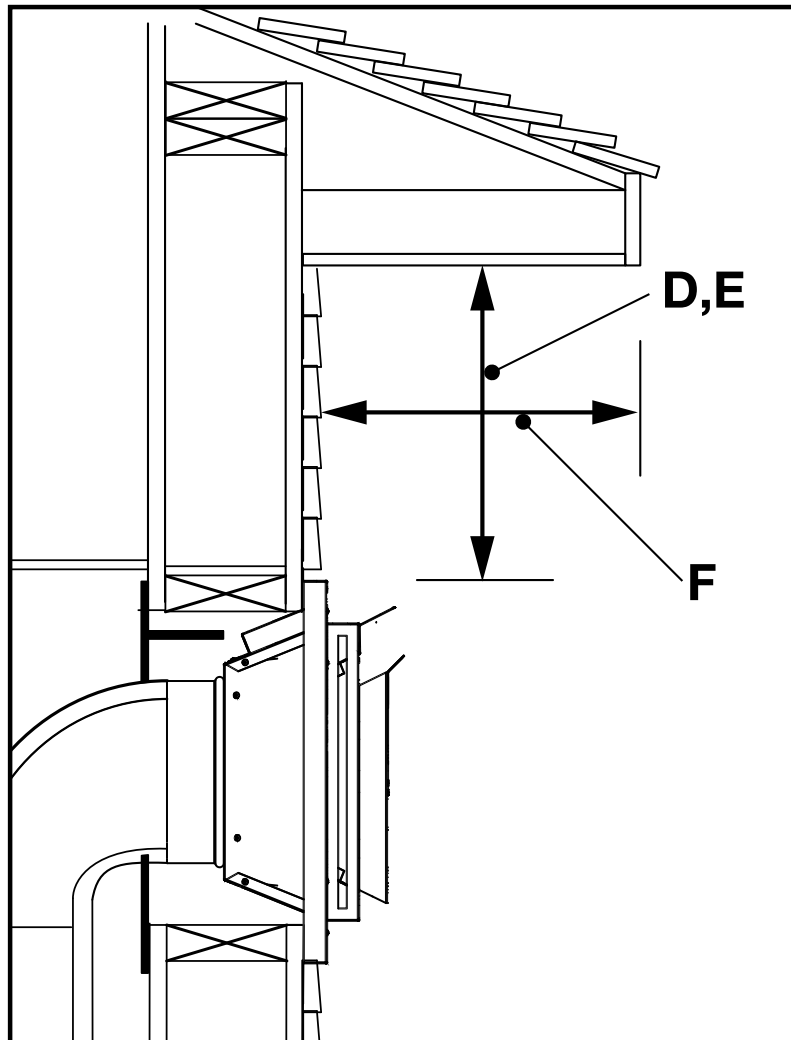
note:
Clearances are to be in accordance with local installation codes and the requirements of the gas supplier. In their absence, clearances are to be as listed above and are based on national codes.

For applications where the terminal is situated in an accessible location, a guard MUST be installed.

TABLE 2: Silhouette terminal clearances (Canada / U.S.A)

		ST47U	ST58U-1
D, E	Minimum soffit clearance (non-vinyl wall, non-vinyl soffit)	18"	
	Minimum soffit clearance (vinyl wall, non-vinyl soffit)	18"	20"
	Minimum soffit clearance (all walls finishes, vinyl soffit)	36"	
F	Maximum soffit length (vinyl wall, non-vinyl soffit)	N/A	9"
H	Side wall clearance (non-vinyl)	4"	
	Side wall clearance (vinyl)	4"	24"

Refer to Table 1.



4.1 firestop spacer installation

! WARNING

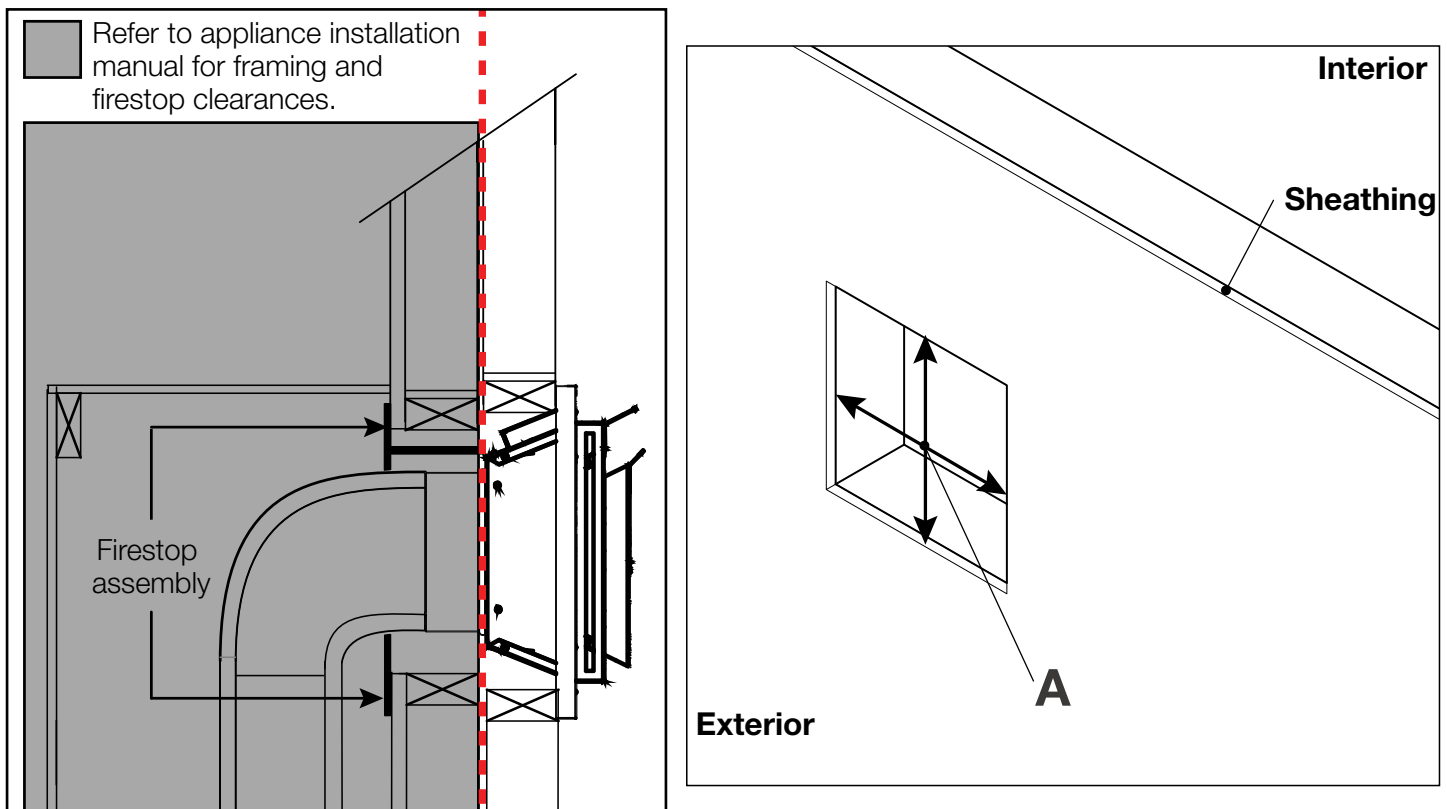
- Use the firestop spacer provided with your appliance.
- The firestop assembly must be installed with the vent shield to the top.

This application occurs when venting through an exterior wall. Having determined the correct height for the termination, cut and frame a hole in the exterior wall, as illustrated, to accommodate the firestop assembly. Dry fit the firestop assembly and terminal before proceeding.

The length of the vent shield may be cut shorter to prevent interference with the terminal body. **The vent shield must be cut so it completely covers the vent section between the firestop and the terminal.**

note:
Do not fill the air space between the firestop spacer and the exterior wall with any type of insulating materials (i.e. spray foam, etc.).

1. Apply a bead of caulking (not supplied) around the outer edge of the hole of the firestop assembly, fit the firestop assembly to the hole, and secure using 4 screws.
2. See your appliance installation manual for more information.



FRAMING DIMENSIONS		
	4”/7”	5”/8”
A	12 1/2”	14 1/2”

note:
The framing can be equal on both sides so long as all appliance and terminal clearances are in compliance.

5.0 installation

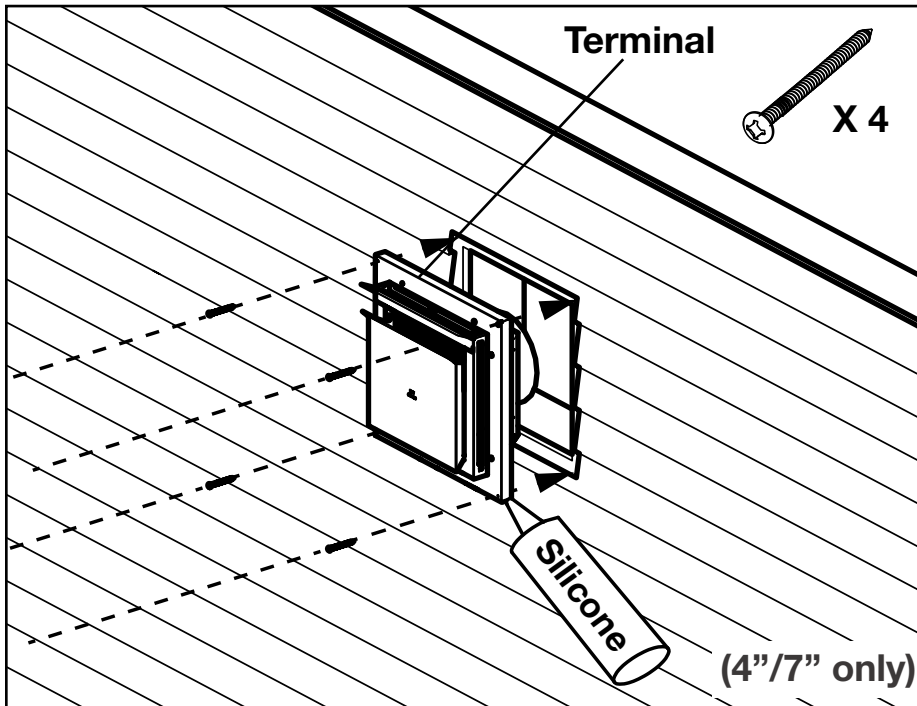
! WARNING

- Minimum terminal and appliance clearance to combustibles must be maintained or a serious fire hazard could result.

5.1 vinyl siding - less than 1" (25mm) (4"/7" only)

Required (for 4"/7"):

- Terminal (ST47U)



1.0 Attach the termination to the venting, see "pre-installation" and "venting" sections.

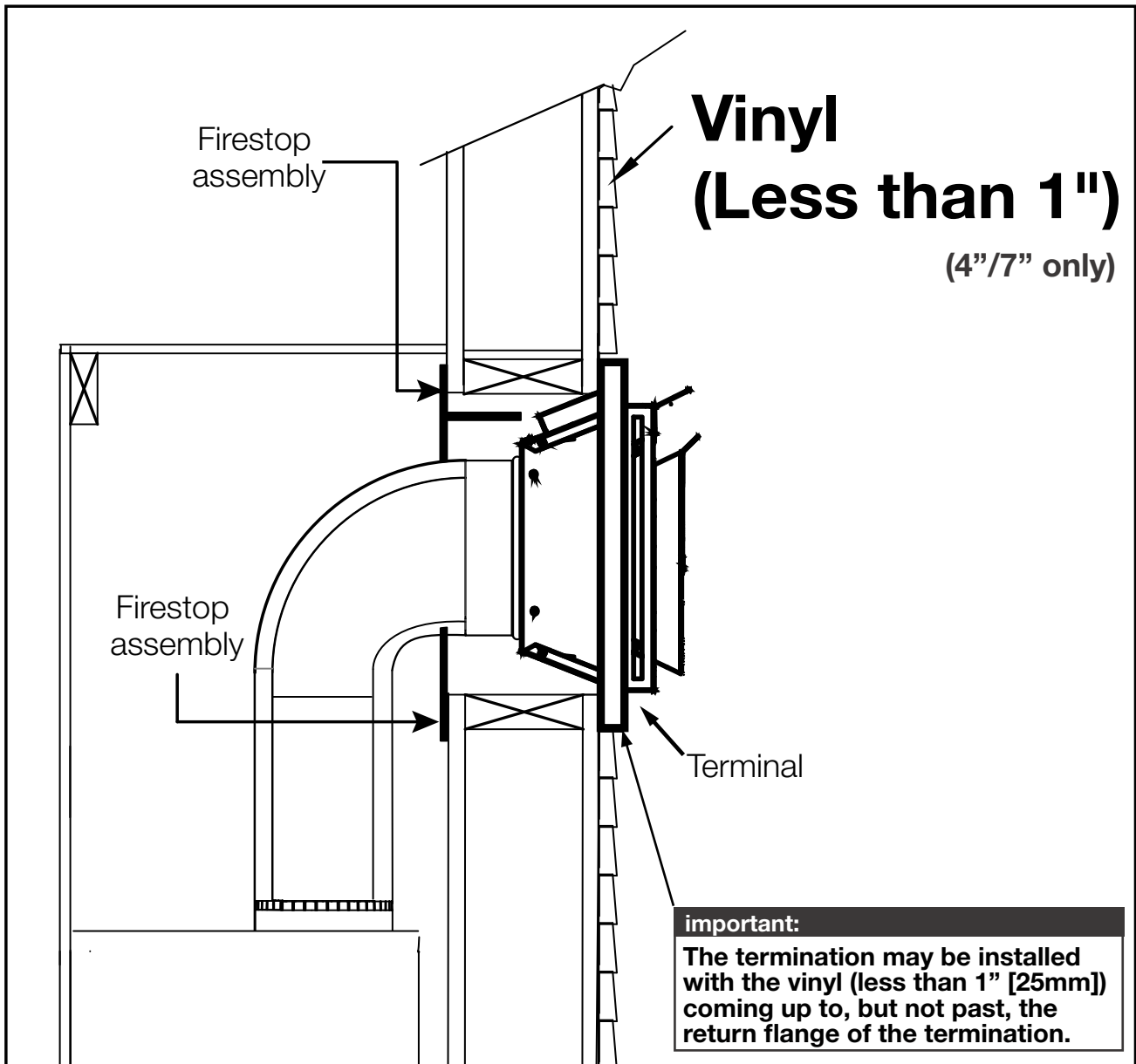
note:

All inner flex pipe and outer flex pipe joints to the termination may be sealed using high temperature red RTV silicone W573-0002 (not supplied) or the high temperature sealant W573-0007 Mill Pac (not supplied). However, the high temperature sealant W573-0007 Mill Pac (not supplied) must be used on the joint connecting the inner flex pipe and the exhaust flue collar of the appliance.

- 2.0 Install the termination and venting from the outside of the building, bringing the venting through the opening in the wall. Secure using 4 screws (supplied in terminal kit). The screws should penetrate the sheathing and into the wall framing.
- 3.0 Apply a bead of clear silicone to seal the edges of the termination.
- 4.0 Apply the vinyl siding around the termination, sealing between the termination and vinyl siding (less than 1" [25mm]) with silicone.

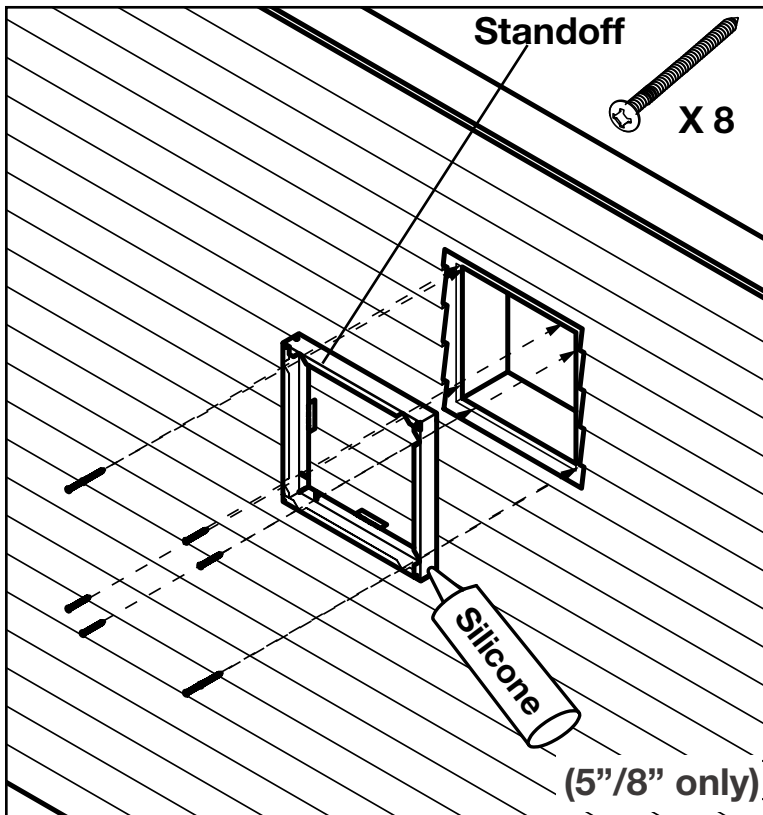
note:

Diagram is for illustrative purposes only. Installation must comply with all local codes.



Installation

5.2 vinyl siding - less than 1" (25mm) (5"/8" only)



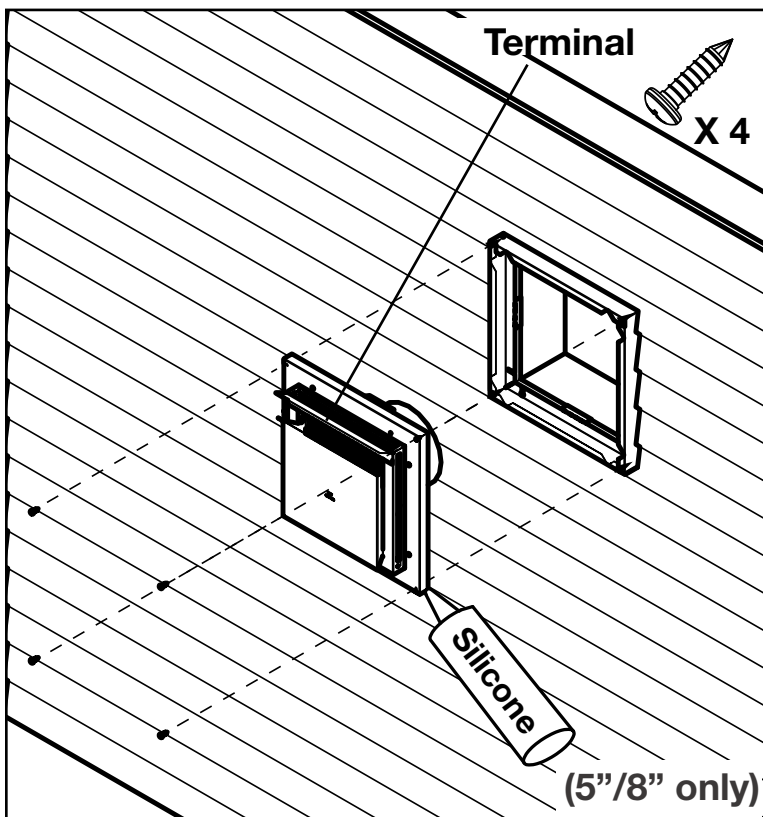
Required (for 5"/8"):

- Terminal (ST58U-1)
- Standoff (SOST58)

- 1.0 Place the standoff in the framed opening, using the tabs as guides.
- 2.0 Secure the standoff to the sheathing using the 8 long screws (supplied with standoff kit). The screws should penetrate through the sheathing and into the wall framing.

note:

Diagrams are for illustrative purposes only. Installation must comply with all local codes.



- 3.0 Attach the termination to the venting, see "pre-installation" and "venting" sections.

note:

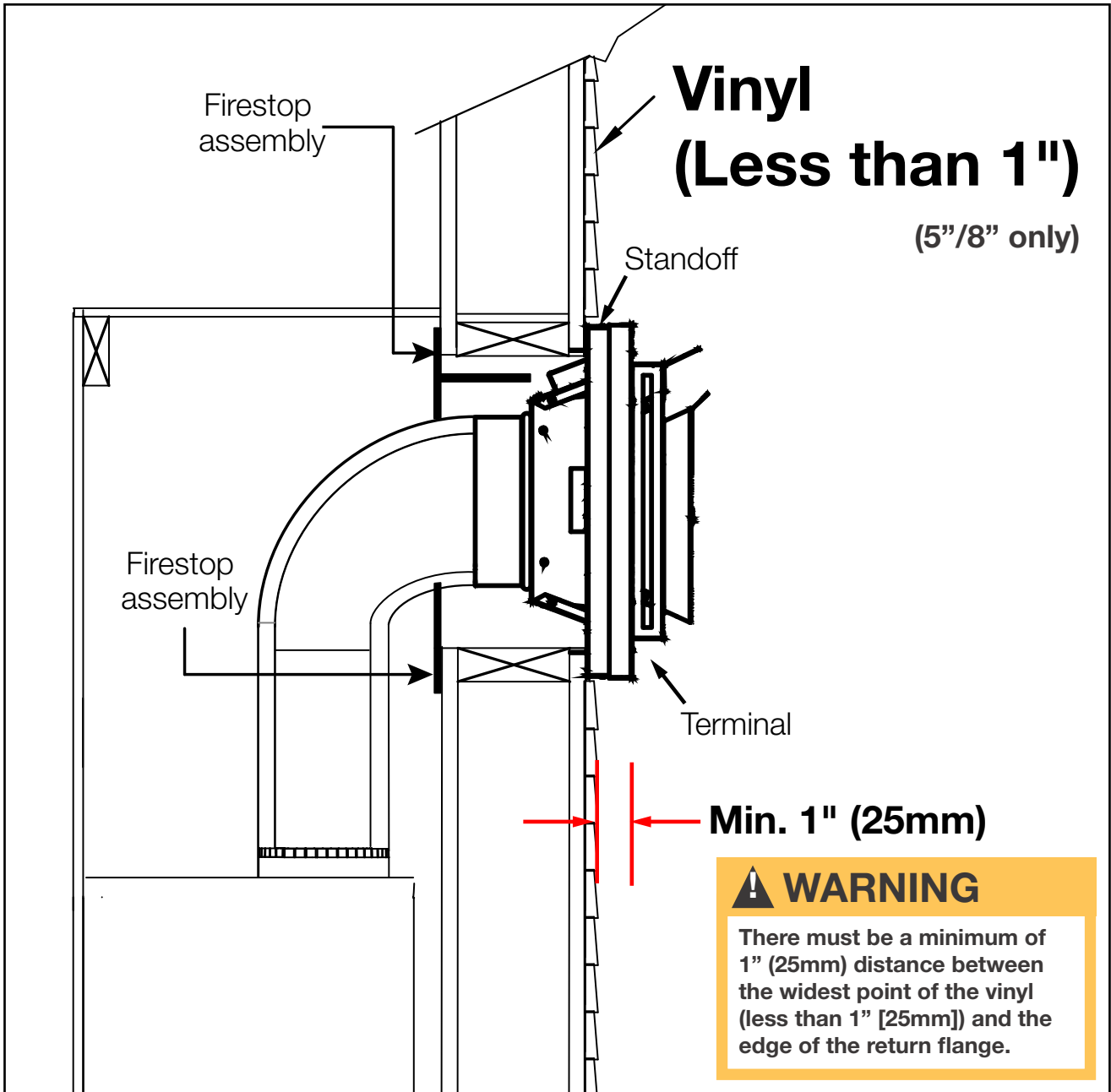
All inner flex pipe and outer flex pipe joints to the termination may be sealed using high temperature red RTV silicone W573-0002 (not supplied) or the high temperature sealant W573-0007 Mill Pac (not supplied). However, the high temperature sealant W573-0007 Mill Pac (not supplied) must be used on the joint connecting the inner flex pipe and the exhaust flue collar of the appliance.

- 4.0 Install the termination and venting from the outside of the building, bringing the venting through the opening in the wall.
- 5.0 Slide the terminal return flange over the standoff and secure with 4 short screws (supplied in standoff kit).
- 6.0 Apply a bead of clear silicone to seal the edges of the termination.
- 7.0 Apply the vinyl siding around the standoff and termination, sealing between the termination and vinyl siding (less than 1" [25mm]) with silicone.

Refer to "venting requirements" and "venting installation" sections in your appliance installation manual.

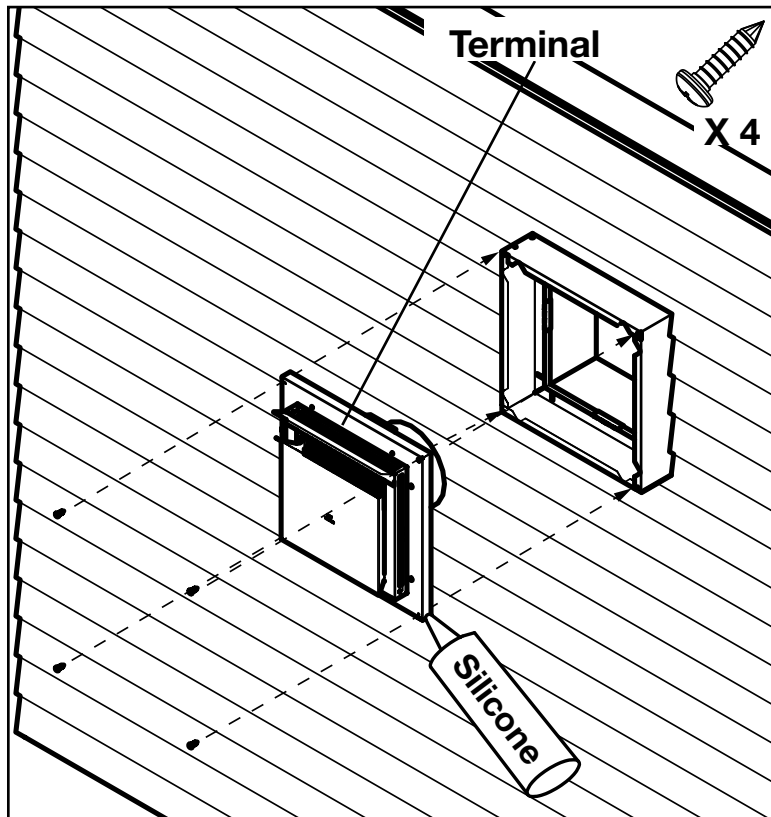
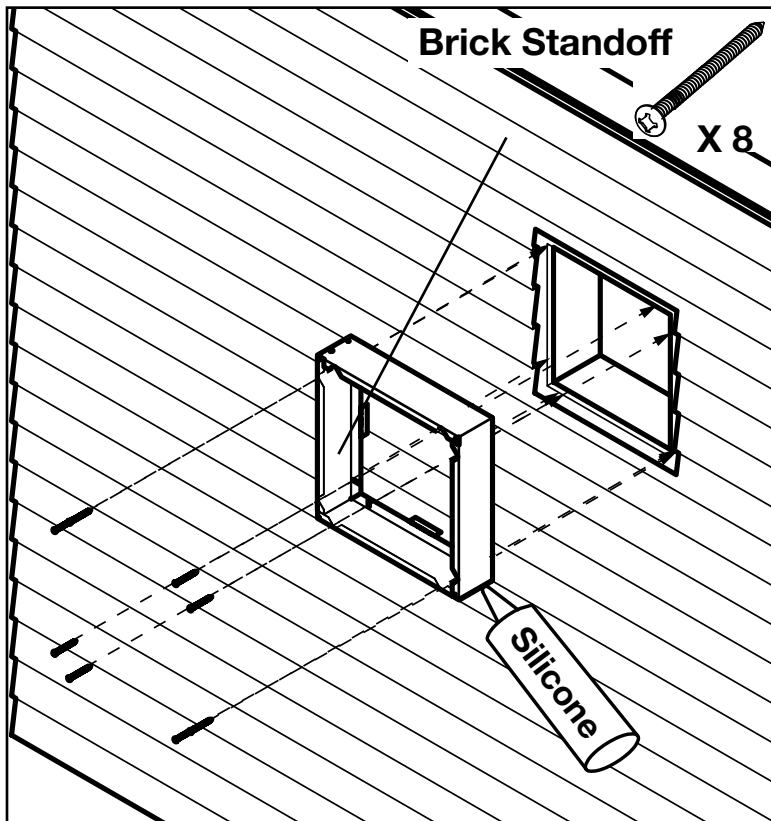
! WARNING

- **FOR 5"/8" ONLY:** Applications with vinyl siding less than 1" (25mm) require a minimum 1" (25mm) clearance from exterior vinyl siding to the front edge of the return flange.



installation

7.1 vinyl siding - between 1" (25mm) and 2" (51mm) (all)



Required for 4"7":

- Terminal (ST47U)
- Brick Standoff (SOST47B)

Required for 5"8":

- Terminal (ST58U-1)
- Brick Standoff (SOST58B)

- 1.0 Place the standoff in the framed opening, using the tabs as guides.
- 2.0 Secure the standoff to the sheathing using the 8 long screws (supplied in standoff kit). The screws should penetrate through the sheathing and into the wall framing.

note:

Diagrams are for illustrative purposes only. Installation must comply with all local codes.

- 3.0 Attach the termination to the venting, see "pre-installation" and "venting" sections.

note:

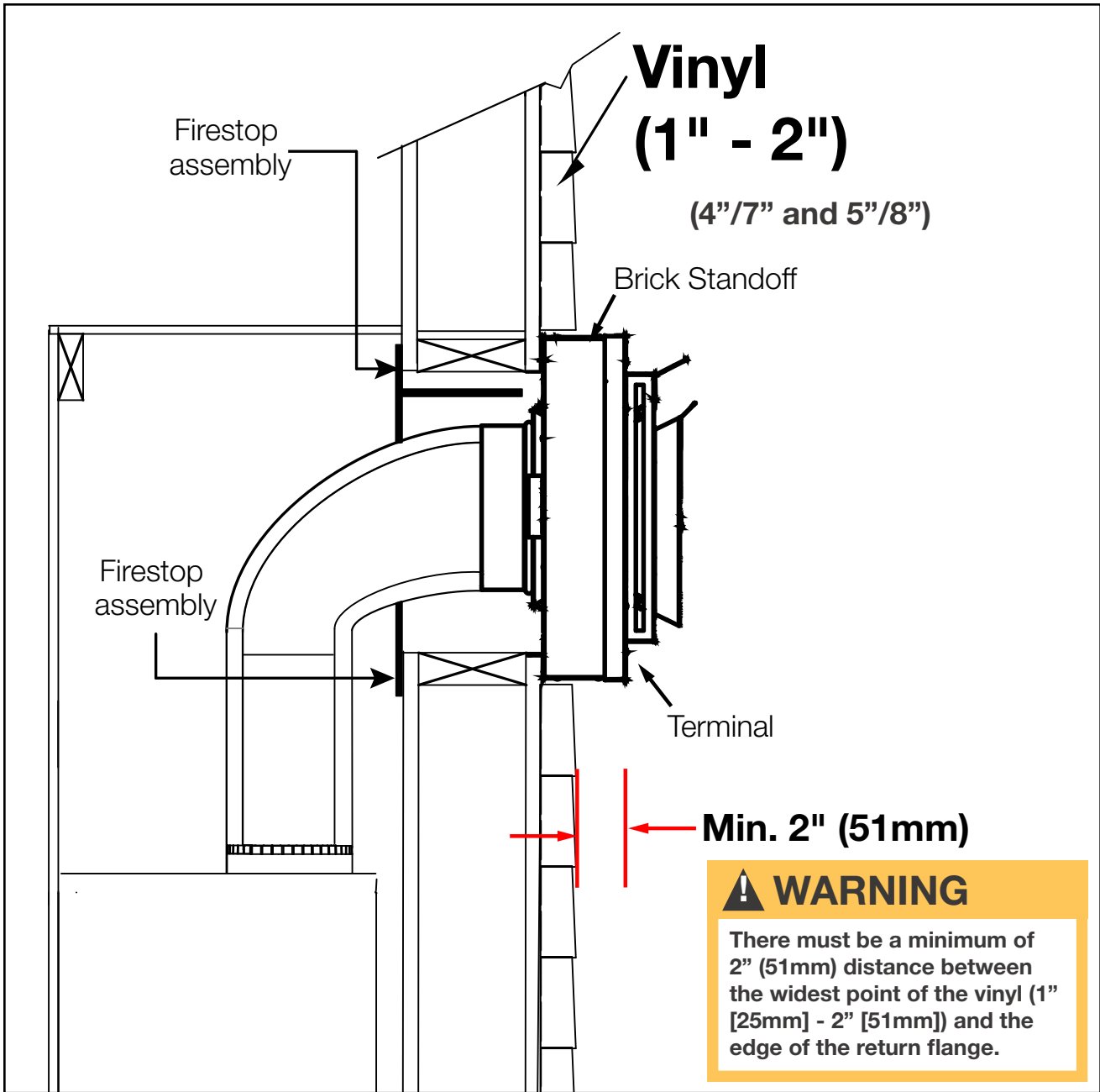
All inner flex pipe and outer flex pipe joints to the termination may be sealed using high temperature red RTV silicone W573-0002 (not supplied) or the high temperature sealant W573-0007 Mill Pac (not supplied). However, the high temperature sealant W573-0007 Mill Pac (not supplied) must be used on the joint connecting the inner flex pipe and the exhaust flue collar of the appliance.

- 4.0 Install the termination and venting from the outside of the building, bringing the venting through the opening in the wall.
- 5.0 Slide the terminal return flange over the standoff and secure with 4 short screws (supplied in standoff kit).
- 6.0 Apply a bead of clear silicone to seal the edges of the termination.
- 7.0 Apply the vinyl siding around the brick standoff and termination, sealing between the termination and vinyl siding (1" [25mm] - 2" [51mm]) with silicone.

Refer to "venting requirements" and "venting installation" sections in your appliance installation manual.

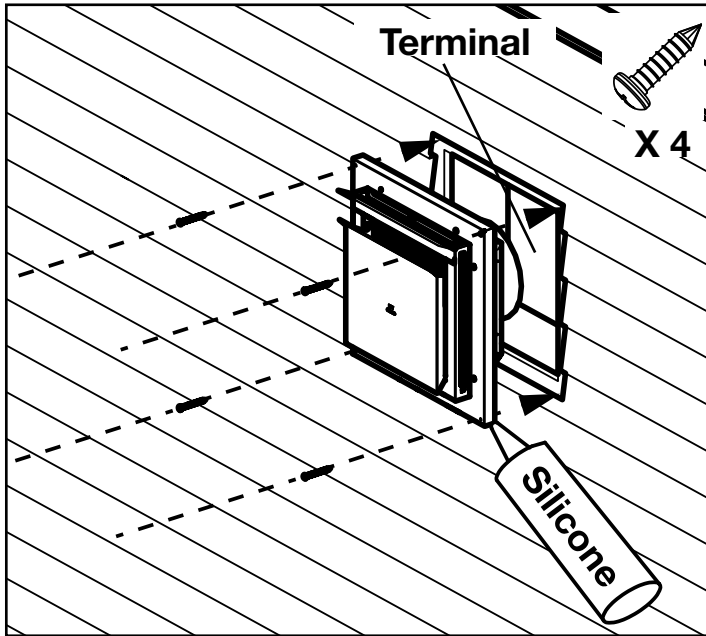
! WARNING

- **FOR 5"/8" ONLY:** Applications with vinyl siding (1" (25mm) - 2" (51mm) **require a minimum 2" (51mm) clearance** from exterior vinyl siding to to the front edge of the return flange.



installation

7.2 exterior finish material - less than 1" (25mm) (all)



Required for 4"7":

- Terminal (ST47U)

Required for 5"8":

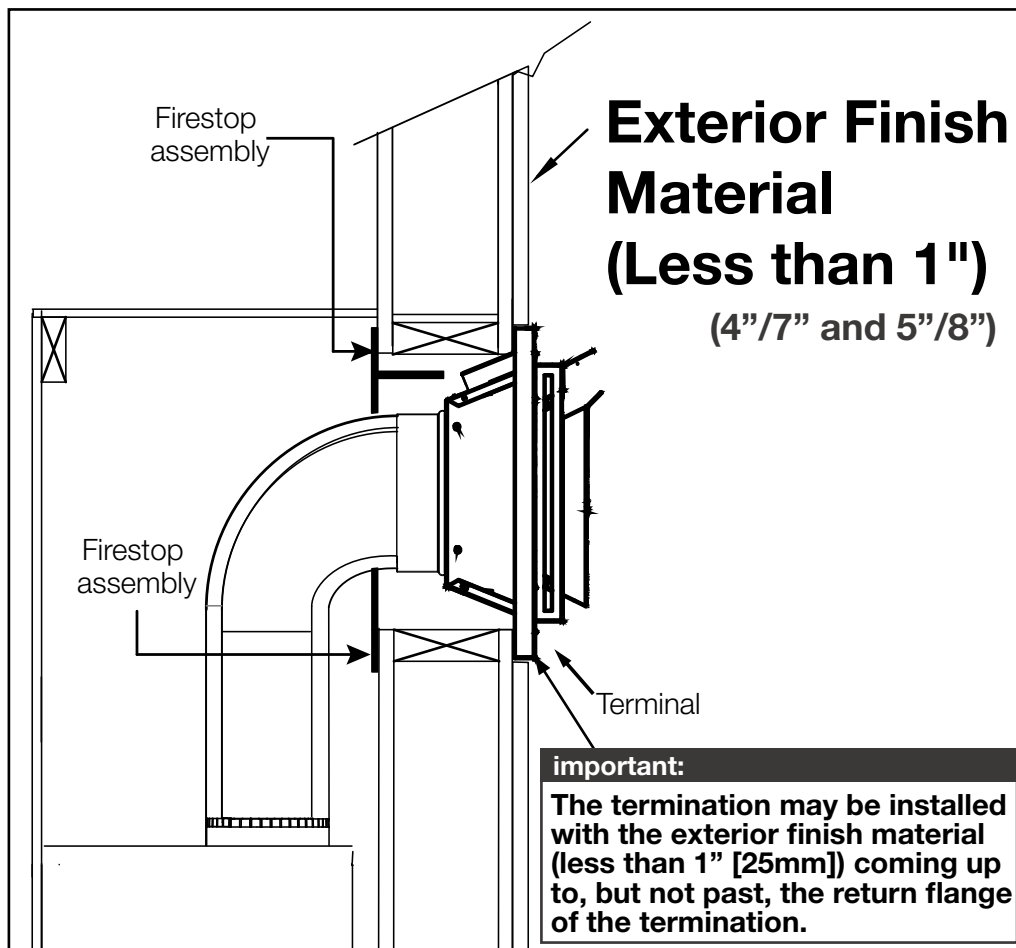
- Terminal (ST58U-1)

1.0 Attach the termination to the venting, see "pre-installation" and "venting" sections.

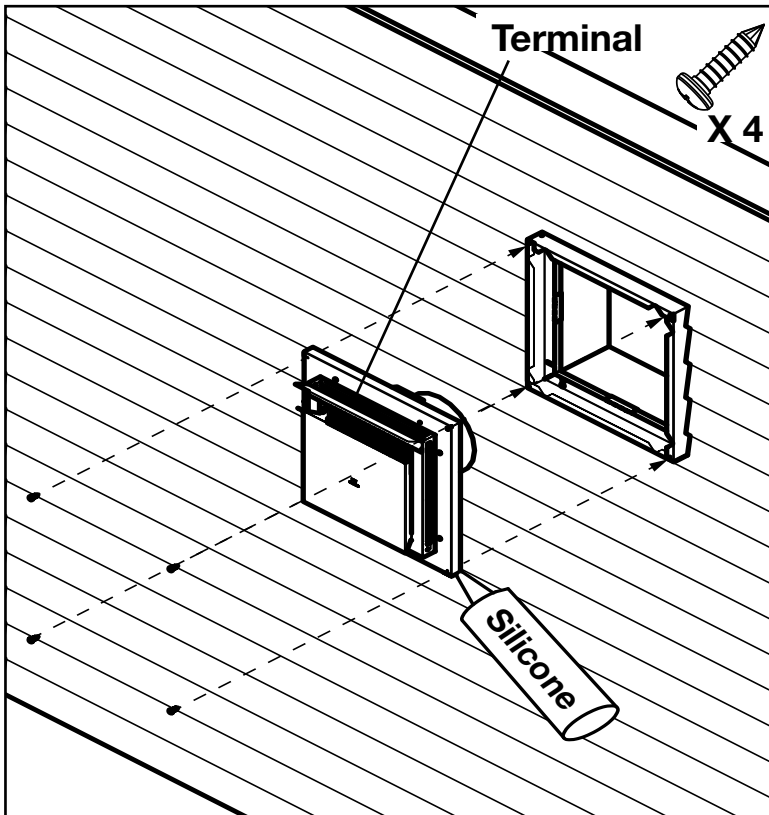
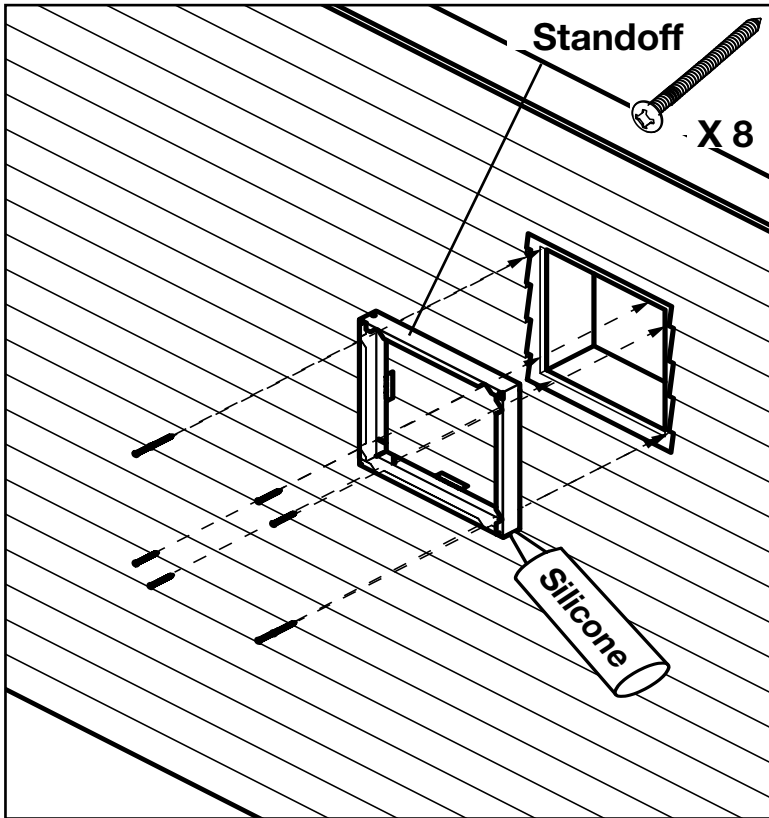
note:

All inner flex pipe and outer flex pipe joints to the termination may be sealed using high temperature red RTV silicone W573-0002 (not supplied) or the high temperature sealant W573-0007 Mill Pac (not supplied). However, the high temperature sealant W573-0007 Mill Pac (not supplied) must be used on the joint connecting the inner flex pipe and the exhaust flue collar of the appliance.

- 2.0 Install the termination and venting from the outside of the building, bringing the venting through the opening in the wall. Secure with 4 short screws (supplied in standoff kit).
- 3.0 Apply a bead of clear silicone to seal the edges of the termination.
- 4.0 Apply the vinyl siding around the termination, sealing between the termination and exterior finish material (less than 1" [25mm]) with silicone.



4.1 exterior finish material - between 1" (25mm) and 2" (51mm) (all)



Required for 4"7":

- Terminal (ST47U)
- Standoff (SOST47)

Required for 5"8":

- Terminal (ST58U-1)
- Standoff (SOST58)

- 1.0 Place the standoff in the framed opening, using the tabs as guides.
- 2.0 Secure the standoff to the sheathing using the 8 long screws (supplied in standoff kit). The screws should penetrate through the sheathing and into the wall framing.

note:

Diagrams are for illustrative purposes only. Installation must comply with all local codes.

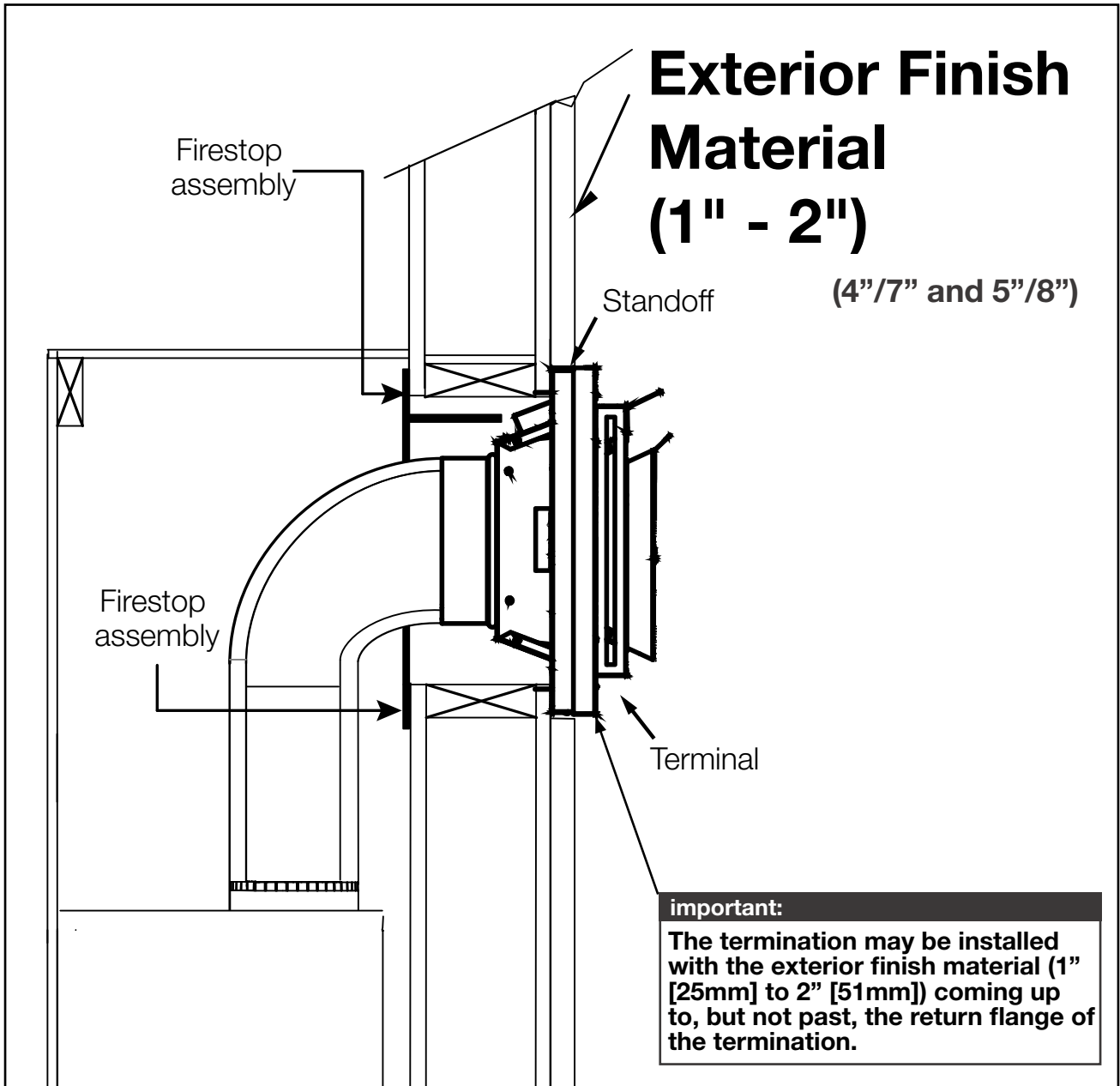
- 3.0 Attach the termination to the venting, see "pre-installation" and "venting" sections.

note:

All inner flex pipe and outer flex pipe joints to the termination may be sealed using high temperature red RTV silicone W573-0002 (not supplied) or the high temperature sealant W573-0007 Mill Pac (not supplied). However, the high temperature sealant W573-0007 Mill Pac (not supplied) must be used on the joint connecting the inner flex pipe and the exhaust flue collar of the appliance.

- 4.0 Install the termination and venting from the outside of the building, bringing the venting through the opening in the wall.
- 5.0 Slide the terminal return flange over the standoff and secure with 4 short screws (supplied in standoff kit).
- 6.0 Apply a bead of clear silicone to seal the edges of the termination.
- 7.0 Apply the exterior finish material around the standoff and termination, sealing between the termination and exterior finish material (1" [25mm] - 2" [51mm]) with silicone.

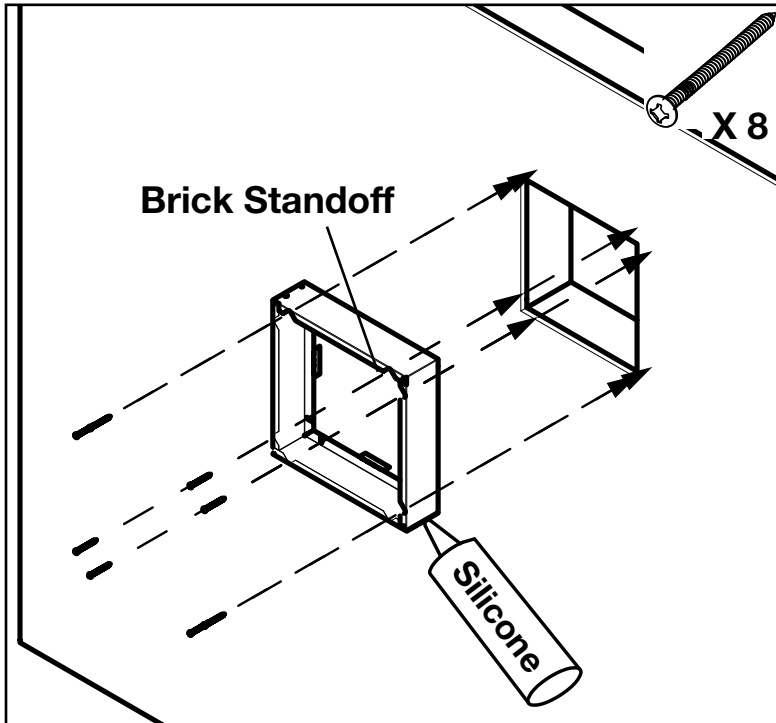
Refer to "venting requirements" and "venting installation" sections in your appliance installation manual.



7.1 brick (all)

! WARNING

If the thickness between the brick surface and sheathing exterior exceeds 4", the brick **must** be installed after installing the brick standoff and **BEFORE** installing the termination. The termination cap will then secure to the surface of the brick and secure to the brick standoff. For non-standard brick sizes, it is recommended to either use a custom built brick standoff or mount the termination on the surface of the brick



Required for 4"7":

- Terminal (ST47U)
- Brick Standoff (SOST47B)

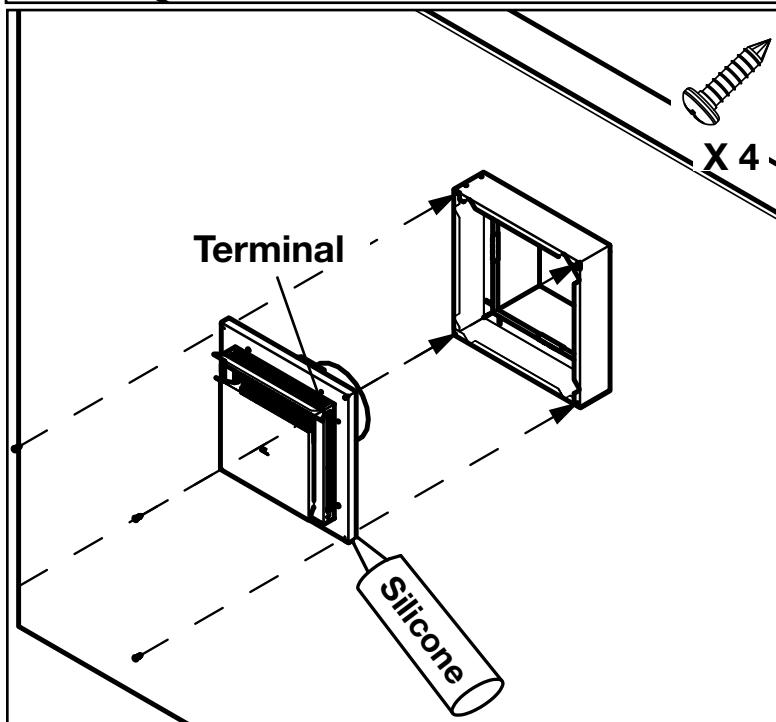
Required for 5"/8":

- Terminal (ST58U-1)
- Brick Standoff (SOST58B)

- 1.0 Place the standoff in the framed opening, using the tabs as guides.
- 2.0 Secure the standoff to the sheathing using the 8 long screws (supplied in brick standoff kit). The screws should penetrate through the sheathing and into the wall framing.

note:

Diagrams are for illustrative purposes only. Installation must comply with all local codes.



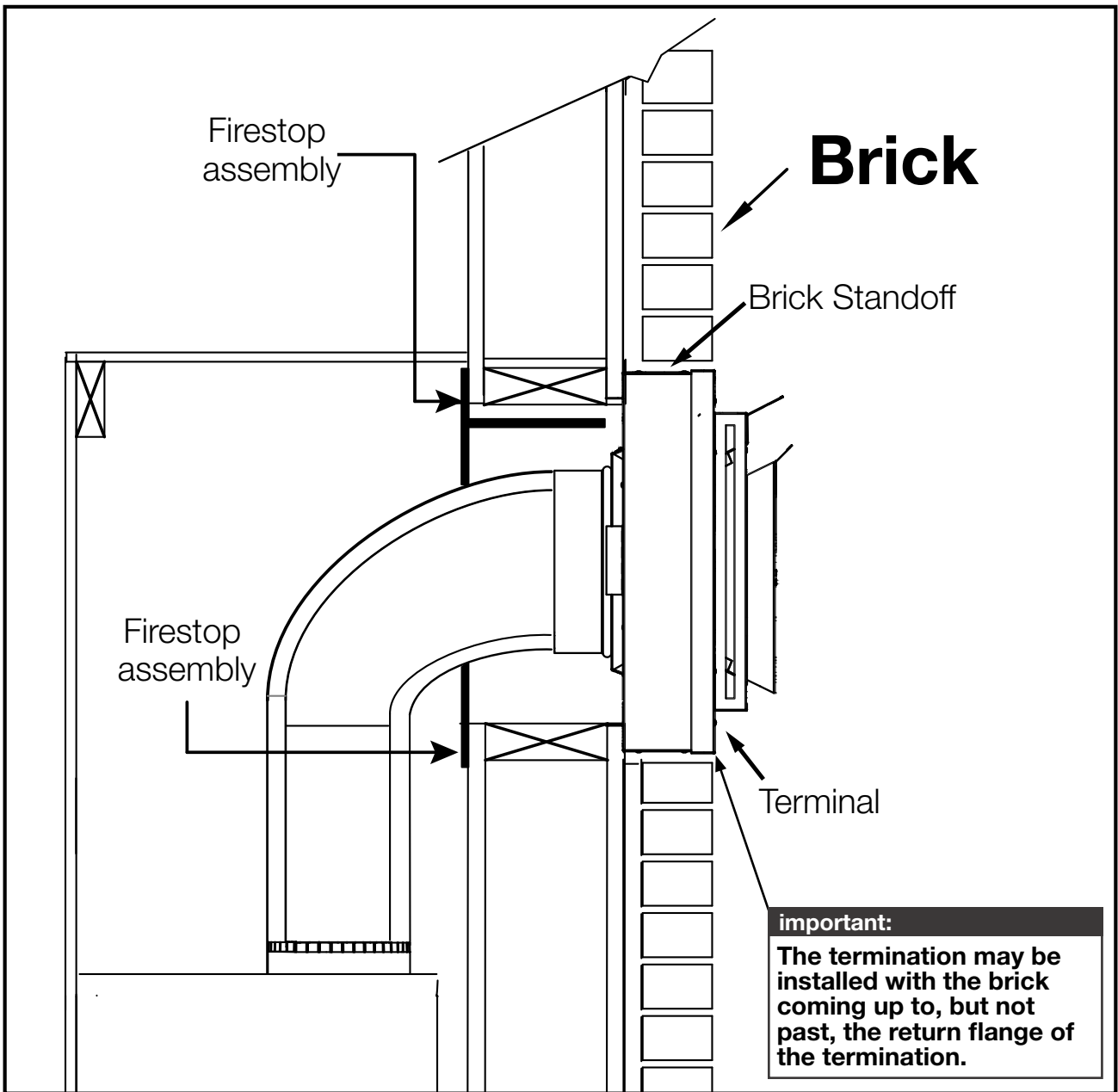
- 3.0 Attach the termination to the venting, see "pre-installation" and "venting" sections.

note:

All inner flex pipe and outer flex pipe joints to the termination may be sealed using high temperature red RTV silicone W573-0002 (not supplied) or the high temperature sealant W573-0007 Mill Pac (not supplied). However, the high temperature sealant W573-0007 Mill Pac (not supplied) must be used on the joint connecting the inner flex pipe and the exhaust flue collar of the appliance.

- 4.0 Install the termination and venting from the outside of the building, bringing the venting through the opening in the wall.
- 5.0 Slide the terminal return flange over the standoff and secure with 4 short screws (supplied in standoff kit).
- 6.0 Apply a bead of clear silicone to seal the edges of the termination.
- 7.0 Finish around the brick standoff and termination with brick.

Refer to "venting requirements" and "venting installation" sections in your appliance installation manual.

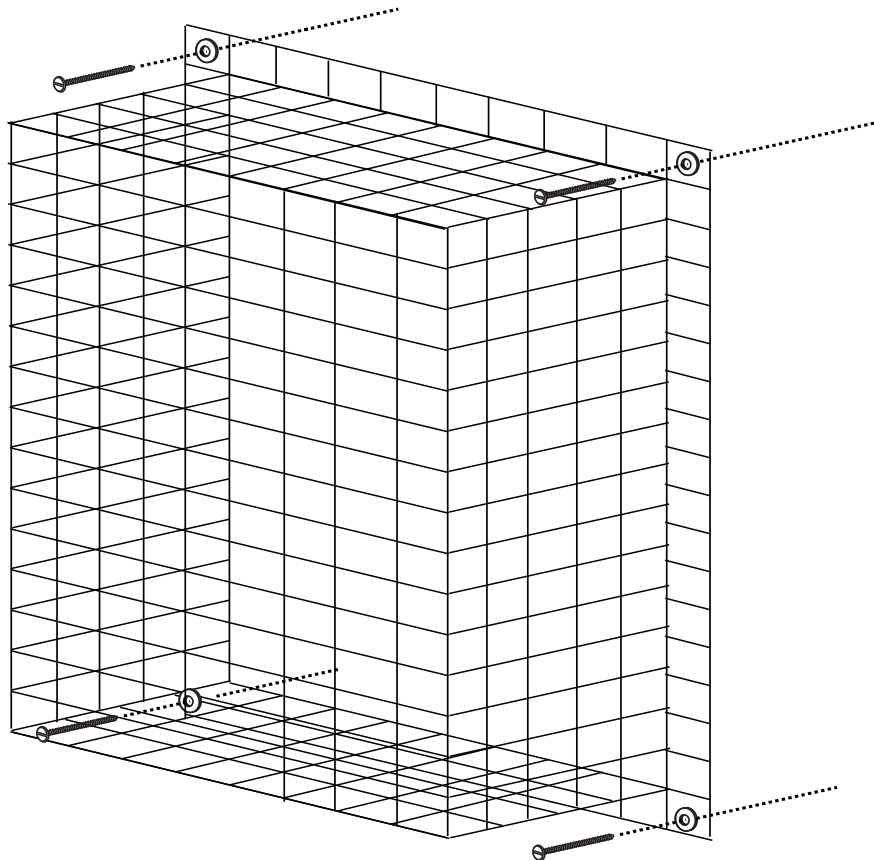


7.1 terminal guard installation (all)

WARNING

- This mesh guard is used to prevent against accidentally touching the Silhouette terminal when it is situated in an accessible location. The Silhouette terminal is considered accessible when it extends less than seven feet (7') above grade, over a public sidewalk or a common driveway.

Install the terminal guard as illustrated. A one and a half inch (1½") gap must be maintained between the underside of the Silhouette terminal and the lower edge of the terminal guard. Secure using the hardware supplied. Depending on the type of exterior finish, the spacers may be needed to mount the terminal guard.



8.0 replacement parts

WARNING

- Failure to position the parts in accordance with this manual or failure to use only parts specifically approved with this appliance may result in property damage or personal injury.

Contact your dealer for questions concerning prices and policies on replacement parts. Normally, all parts can be ordered through your Authorized dealer / distributor.

For warranty replacement parts, a photocopy of the original invoice will be required to honour the claim.

When ordering replacement parts always give the following information:

- Model & Serial Number of appliance
- Installation date of appliance
- Part number
- Description of part
- Finish

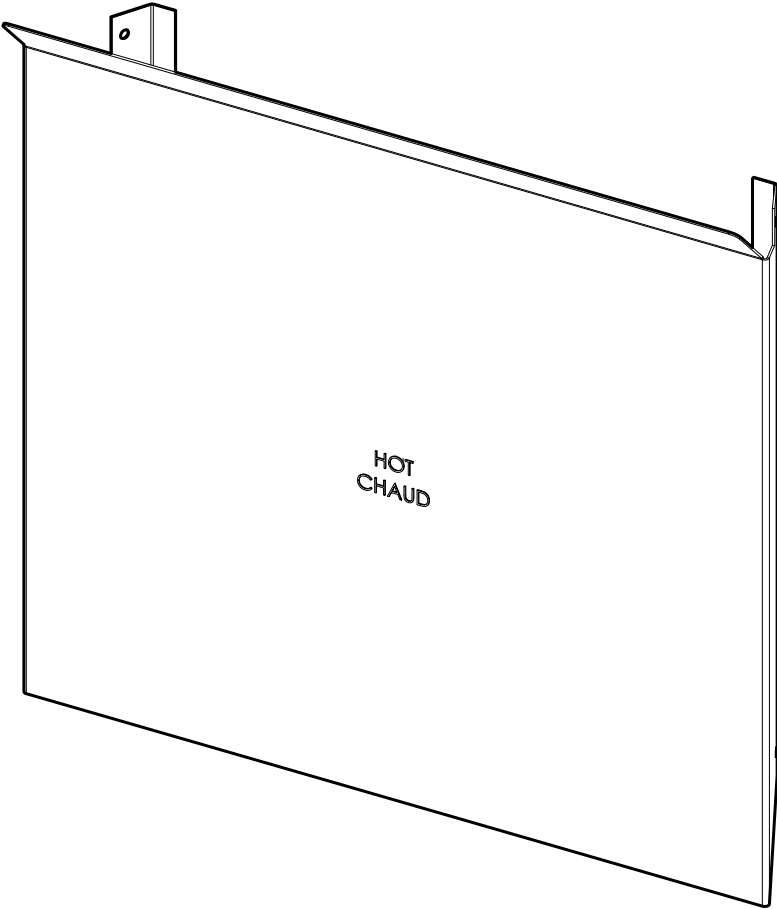
Parts, part numbers, and availability are subject to change without notice.

Parts identified as stocked will be delivered within 2 to 5 business days for most delivery destinations.

Parts not identified as stocked will be delivered within a 2 to 4 week period, for most cases.

Parts identified as 'SO' are special order and can take up to 90 days for delivery.

8.1 overview



Ref.	Part Number	Description	Stocked
1	W585-0959	Exhaust Shield (ST47U)	
1	W585-0971	Exhaust Shield (ST58U-1)	

NAPOLEON CELEBRATING OVER 40 YEARS OF HOME COMFORT PRODUCTS



7200, Route Transcanadienne, Montréal, Québec H4T 1A3
24 Napoleon Road, Barrie, Ontario, Canada L4M 0G8
214 Bayview Drive, Barrie, Ontario, Canada L4N 4Y8
103 Miller Drive, Crittenden, Kentucky, USA 41030
De Riemsdijk 22, 4004 LC Tiel, The Netherlands

Phone: 1-866-820-8686
napoleon.com



MANUEL D'INSTALLATION

Terminaison Silhouette

CONSIGNES DE SÉCURITÉ

AVERTISSEMENT

RISQUE D'INCENDIE OU D'EXPLOSION

Si ces instructions ne sont pas suivies à la lettre, un incendie pourrait s'ensuivre causant des dommages matériels, des blessures corporelles ou des pertes de vie.

INFORMATION GÉNÉRALES

Ces instructions d'installation doivent être utilisées conjointement avec de celle de l'appareil et l'ensemble de la terminaison approprié. Les dégagements listés dans ces instructions remplacement ceux indiqués dans les instructions d'installation de l'appareil.

Choix et installation de l'appareil

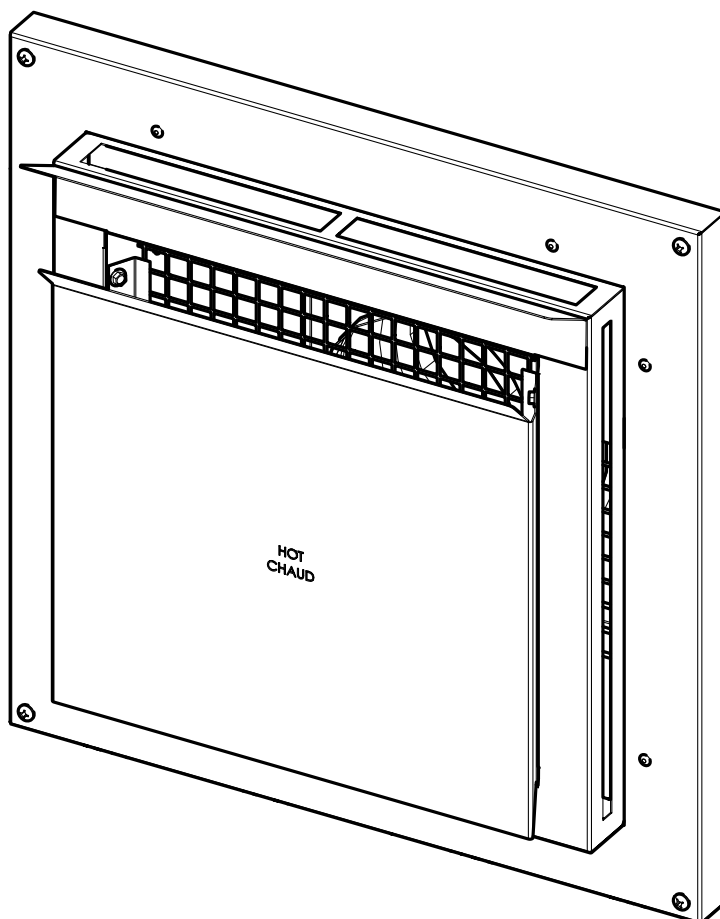
Quand vous installez une terminaison Silhouette, tenez compte les exigences du matériel du finition et suivez les instructions d'installation rélevant décrites dans cet manuel.

INSTALLATEUR:

Laissez ce manuel avec l'appareil

PROPRIÉTAIRE:

Conservez ce manuel pour consultation ultérieure.



ST58U-1 illustré

TERMINAISON HORIZONTALE UNIQUEMENT

**POUR USAGE UNIQUEMENT AVEC LES
APPAREILS DE GAZ D'ÉVACUATION**

**DIRECTE APPROUVÉ
4" / 7" ET 5" / 8"**



table des matières

FR

1.0	information générale	3
1.1	vue d'ensemble de l'installation	3
1.1	liste d'appareils certifiés	4
2.0	planification de l'installation	5
2.1	options d'installation	5
2.2	vue d'ensemble de la terminaison	6
2.2.1	dimensions de la terminaison 4"/7"	7
2.2.2	dimensions de la terminaison 5"/8"	7
2.3	composants de l'ensemble de la terminaison	8
2.4	vue d'ensemble de l'espaceur	9
2.4.1	dimensions de l'espaceur 4"/7"	9
2.4.2	dimensions de l'espaceur 5"/8"	9
2.5	vue d'ensemble de l'espaceur de brique	10
2.5.1	dimensions de l'espaceur de brique 4"/7"	10
2.5.2	dimensions de l'espaceur de brique 5"/8"	10
2.6	composants de l'ensemble de l'espaceur	11
2.7	composants de l'ensemble de l'espaceur de brique	11
2.8	vue d'ensemble de la garde de la terminaison	12
3.0	dégagements de la terminaison	13
4.0	pré-installation	15
4.1	installation de l'espaceur coupe-feu	15
5.0	installation	16
5.1	revêtement en vinyle - moins de 1" (25mm) (uniquement 4"/7")	16
5.2	revêtement en vinyle - moins de 1" (25mm) (uniquement 5"/8")	18
5.3	revêtement en vinyle - entre 1" (25mm) et 2" (51mm) (tous)	20
5.4	matériau de finition extérieur - moins de 1" (25mm) (tous)	22
5.5	matériau de finition extérieur - entre 1" (25mm) et 2" (51mm) (tous)	23
5.6	brique (tous)	25
5.7	installation de la garde de la terminaison (tous)	27
6.0	pièces de rechange	28
6.1	vue d'ensemble	29

note:

L'information contenue dans ce manuel est jugée correcte au moment de l'impression. Wolf Steel Ltd. se réserve le droit de modifier ou de modifier toute information contenue dans ce manuel à tout moment sans préavis. Les modifications, autres que les éditoriaux, sont désignées par une ligne verticale dans la marge.

⚠ AVERTISSEMENT: Ce produit peut vous exposer à des substances chimiques incluant le chrome qui, selon l'État de Californie, causeraient le cancer, et des substances chimiques incluant le toluène qui, selon d'État de Californie, causeraient des malformations congénitales ou autres dangers pour la reproduction. Pour de plus amples renseignements, visitez le www.P65Warnings.ca.gov.

⚠ AVERTISSEMENT

- L'installation doit être conforme aux codes locaux ou, en l'absence de tels codes, au Code d'Installation du gaz naturel et du propane CSA B149.1 au Canada ou au National Fuel Gas Code ANSI Z223.1 / NFPA 54 aux États-Unis.
- Afin d'éviter les risques de suffocation, gardez le sac d'emballage loin des bébés et des jeunes enfants. Ne le laissez pas traîner dans les berceaux, les lits, les poussettes, ou les parcs de jeu. Ce sac n'est pas un jouet. Nouez-le avant de le jeter.

1.1 vue d'ensemble de l'installation

AVERTISSEMENT

- **RISQUE D'INCENDIE!** Si ces instructions ne sont pas suivies à la lettre des dommages pourraient s'ensuivre.
- Ne finis **PAS** au-delà la **bride de retour** de la terminaison.

Pour les appareils d'évacuation 4" / 7":

Revêtement en vinyle ou matériel de finition extérieur (moins de 1" (25mm) d'épaisseur):

Aucun ensemble d'espaceur additionnel est requis pour des applications avec matériau de finition moins de 1" (25mm) d'épaisseur (**incluant vinyle**).

Voir les sections « revêtement en vinyle - moins de 1" (25mm) (uniquement 4"/7") » ou « matériau de finition extérieur moins de 1" (25mm) (tous) ».

Revêtement en vinyle entre 1" (25mm) et 2" (51mm):

Un ensemble d'espaceur de brique additionnel est requis.

Voir la section « revêtement en vinyle - entre 1" (25mm) et 2" (51mm) (tous) ».

Matériau de finition extérieur entre 1" (25mm) et 2" (51mm):

Un ensemble d'espaceur additionnel est requis.

Voir la section « matériau de finition extérieur - entre 1" (25mm) et 2" (51mm) (tous) ».

Brique:

Un ensemble d'espaceur de brique additionnel est requis.

Voir la section « brique (tous) ».

Pour les appareils d'évacuation 5" / 8":

Revêtement en vinyle (moins d'une pouce (25mm) d'épaisseur):

Un ensemble d'espaceur additionnel est requis pour les applications avec du revêtement en vinyle moins de 1" (25mm).

Voir la section « revêtement en vinyle - moins de 1" (25mm) (uniquement 5"/8") ».

Revêtement en vinyle entre 1" (25mm) et 2" (51mm):

Un ensemble d'espaceur additionnel de brique est requis.

Voir la section « revêtement en vinyle - entre 1" (25mm) et 2" (51mm) (tous) ».

Matériau de finition extérieur (moins de 1" (25mm) d'épaisseur):

Aucun ensemble d'espaceur additionnel est requis pour des applications avec matériau de finition moins de 1" (25mm) d'épaisseur (**excluant vinyle**).

Voir la section « matériau de finition extérieur - moins de 1" (25mm) (tous) ».

Matériau de finition extérieur entre 1" (25mm) et 2" (51mm):

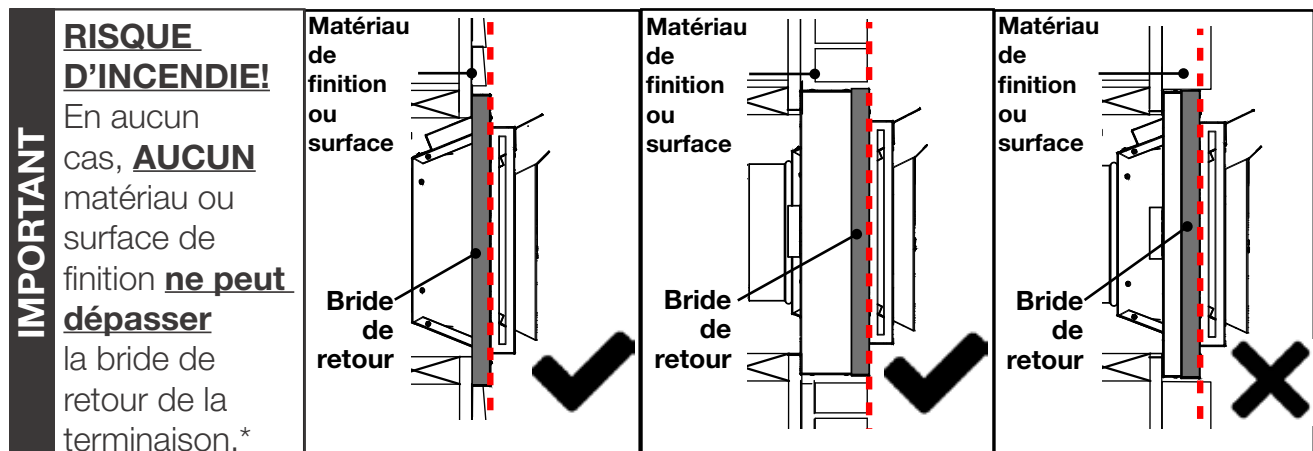
Un ensemble d'espaceur additionnel est requis.

Voir la section « matériau de finition extérieur - entre 1" (25mm) et 2" (51mm) (tous) ».

Brique:

Un ensemble d'espaceur de brique additionnel est requis.

Voir la section « brique (tous) ».



* Où applicable, un ensemble d'espaceur ou d'espaceur de brique additionnel est requis. Ces applications pourrait résulter avec la bride de la terminaison qui n'est pas affleurant au matériau de finition.

Pour les applications ou la terminaison est situé dans un location accessible, un ensemble de garde de la terminaison doit être installé. Voir la section « installation de la garde de la terminaison (tous) » pour les détails complet.

Tous installations doit se conformer avec les codes locaux et nationales.

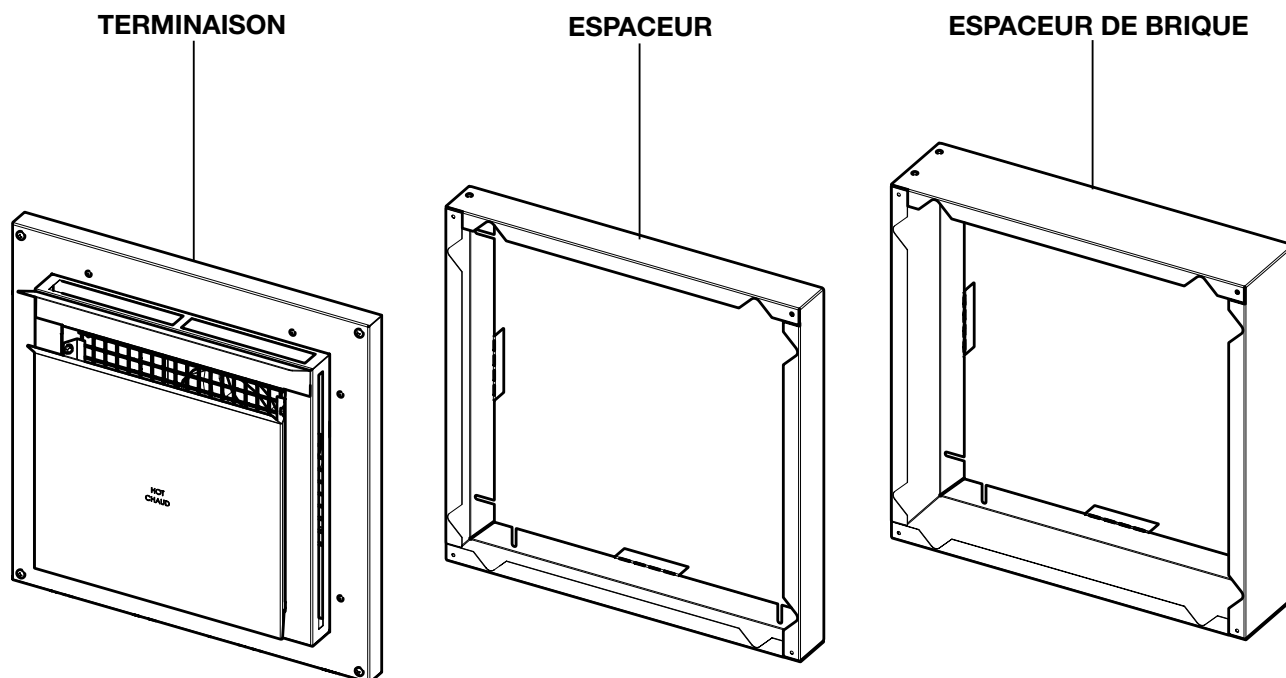
information générale

FR 1.1 liste d'appareils certifiés

Séries du produit	Modèle(s)
Ascent Multi-view	B/CHD4ST
	B/CHD4P
Ascent	B30/CB30
	B35/CB35
	B36/CB36/TB36
	B42TR/CB42TR/TB42TR
	B46/CB46
Ascent Linear	BL36/CBL36
	BL46/CBL46
Ascent Multi-View	BHD4ST/CHD4ST
	BHD4P/CHD4P
Arlington	GDS20/TDS20
Bayfield	GDS25
Castlemore	GDS26
Haliburton	GDS28/CDVS280/TDS28
Havelock	GDS/CDVS/TDS50
Knightsbridge	GDS60/CDVS600/TDS60
Ascent X	GX36/CX36
	GX42
	GX70/CX70
Acies	L38/CL38
	L50/CL50
Vector	LV38
	LV50
	LV62
	LV74
Luxuria	LVX38
	LVX50
	LVX62
	LVX74
Altitude	AX36
	AX42
Elevation	EX36
	EX42
High Definition	HD35/CHD35
	HD40/CHD40
	HD46/CHD46
High Definition X	HDX35
	HDX40-1/CDHX40-1

Si votre appareil n'est pas susmentionné, référez votre manuel d'installation de l'appareil ou contactez votre détaillant local autorisé.

2.1 options d'installation



Il y a multiple options d'installation possibles pour la **Terminaison Silhouette**, dépendant du matériau du finition utiliser sur le mur extérieur.

POUR USAGE AVEC LES APPAREILS D'ÉVACUATION DIRECTE APPROUVÉ 4"/7"			
Type d'installation	Terminaison (ST47U)	Espaceur (SOST47)	Espaceur de brique (SOST47B)
Revêtement en vinyle moins de 1"	✓	N/A	N/A
Revêtement en vinyle 1" à 2"	✓	N/A	✓
Matériau de finition extérieur moins de 1"	✓	N/A	N/A
Matériau de finition extérieur 1" à 2"	✓	✓	N/A
Brique	✓	N/A	✓

POUR USAGE AVEC LES APPAREILS D'ÉVACUATION DIRECTE APPROUVÉ 5"/8"			
Type d'installation	Terminaison (ST58U-1)	Espaceur (SOST58)	Espaceur de brique (SOST58B)
Revêtement en vinyle moins de 1"	✓	✓	N/A
Revêtement en vinyle 1" à 2"	✓	N/A	✓
Matériau de finition extérieur moins de 1"	✓	N/A	N/A
Matériau de finition extérieur 1" à 2"	✓	✓	N/A
Brique	✓	N/A	✓